



US00D617211S

(12) **United States Design Patent**
Grimoldi

(10) **Patent No.:** **US D617,211 S**

(45) **Date of Patent:** **** *Jun. 8, 2010**

(54) **WATCH CASE**

(75) Inventor: **Anselmo Grimoldi**, Milan (IT)

(73) Assignee: **Grimoldi Milano S.a.s.**, Milan (IT)

(*) Notice: This patent is subject to a terminal disclaimer.

(**) Term: **14 Years**

(21) Appl. No.: **29/315,030**

(22) Filed: **May 19, 2009**

(30) **Foreign Application Priority Data**

Jan. 28, 2009 (EM) 001077523

(51) **LOC (9) Cl.** **10-02**

(52) **U.S. Cl.** **D10/38**

(58) **Field of Classification Search** D10/30-39,
D10/122-132; 368/276, 285, 281, 282, 294,
368/295

See application file for complete search history.

(56) **References Cited**

U.S. PATENT DOCUMENTS

1,633,351	A	*	6/1927	Sonnenthal	368/286
D250,750	S	*	1/1979	Perrin	D10/39
D267,237	S	*	12/1982	Kanouï	D10/39
D271,472	S	*	11/1983	Malamoud	D10/38
D390,130	S	*	2/1998	Kennedy	D10/32
D392,902	S	*	3/1998	Mouawad	D10/30
D413,819	S	*	9/1999	Voegeli	D10/32

D456,274	S	*	4/2002	Mille	D10/30
D465,422	S	*	11/2002	Mantovani	D10/30
D470,060	S	*	2/2003	Grimoldi	D10/39
D473,478	S	*	4/2003	d'Origny	D10/39
D496,591	S	*	9/2004	Yurman	D10/32
D508,654	S	*	8/2005	Tada	D10/32
D540,198	S	*	4/2007	De Witt	D10/38
D570,712	S	*	6/2008	Cattin	D10/32
D573,041	S	*	7/2008	Lulic	D10/39
D573,488	S	*	7/2008	Sanz	D10/39
D586,239	S	*	2/2009	Modolo	D10/32
D596,051	S	*	7/2009	Mille	D10/38

* cited by examiner

Primary Examiner—Lucy Lieberman

(74) *Attorney, Agent, or Firm*—James V. Costigan; Hedman & Costigan, P.C.

(57) **CLAIM**

The ornamental design for a watch case, as shown and described.

DESCRIPTION

FIG. 1 is a bottom and front side perspective view of the invention;

FIG. 2 is a bottom view of the invention;

FIG. 3 is a top view of the invention;

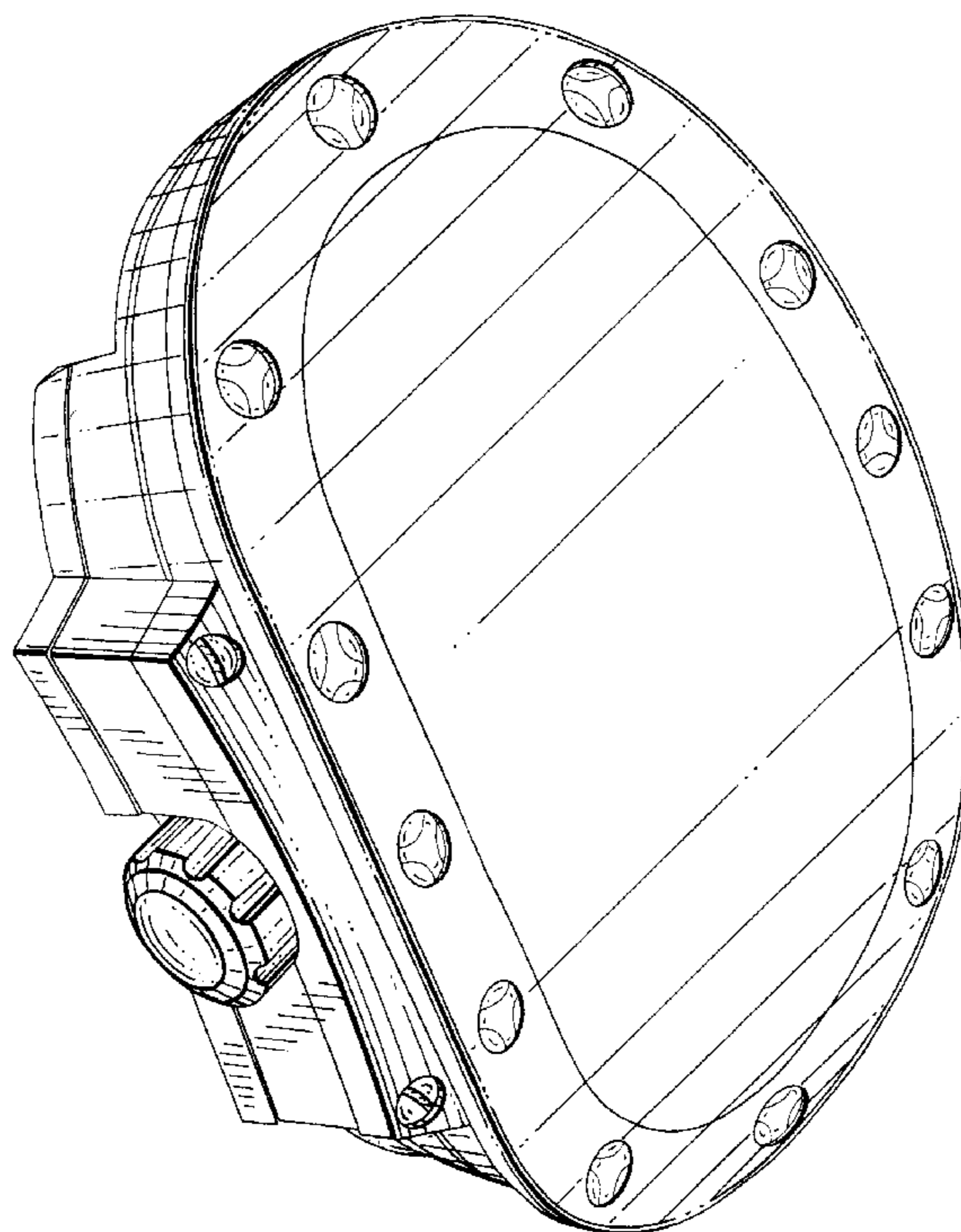
FIG. 4 is a right side view of the invention;

FIG. 5 is a left side view of the invention;

FIG. 6 is a front view of the invention; and,

FIG. 7 is a back view of the invention.

1 Claim, 7 Drawing Sheets



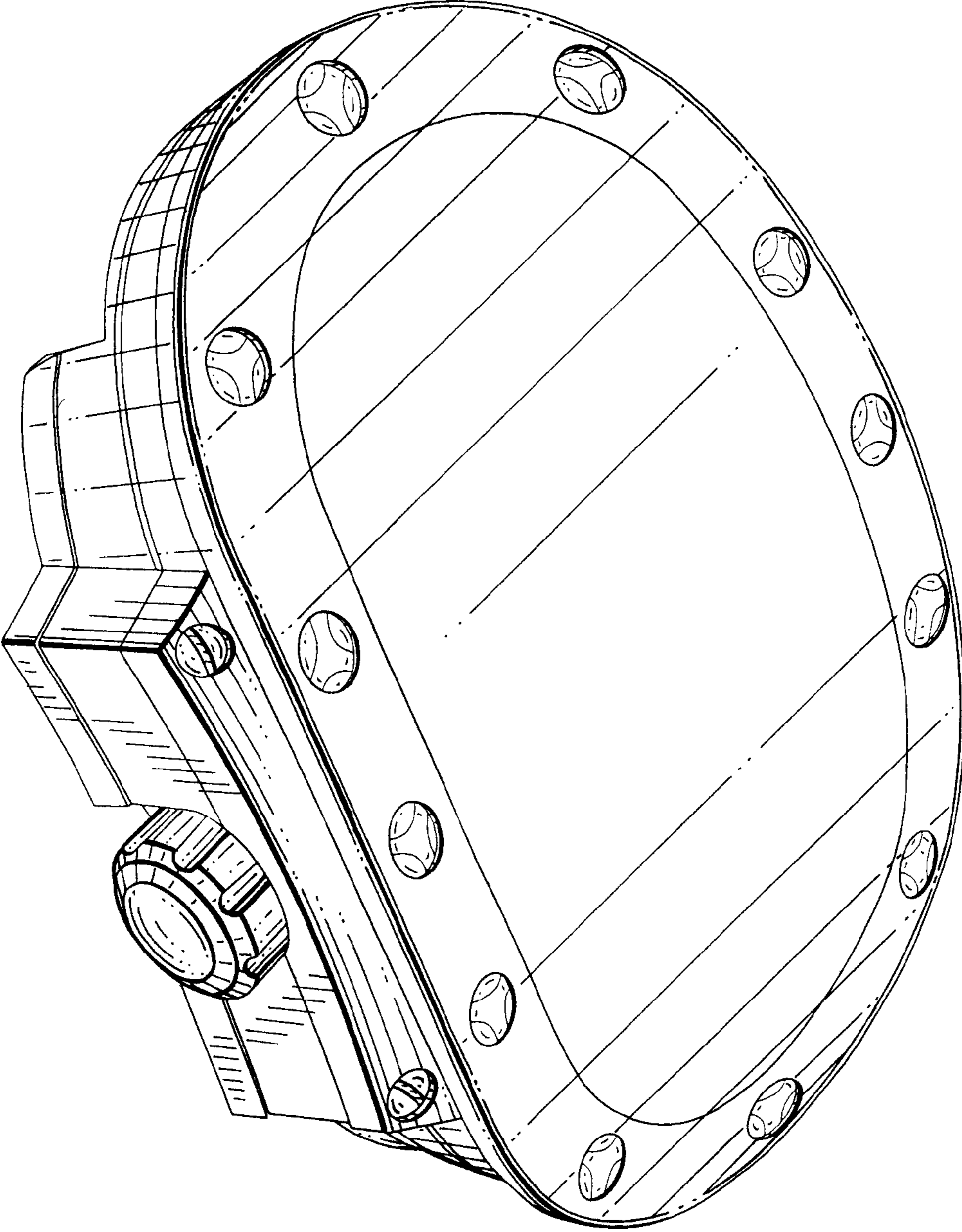


FIG. 1

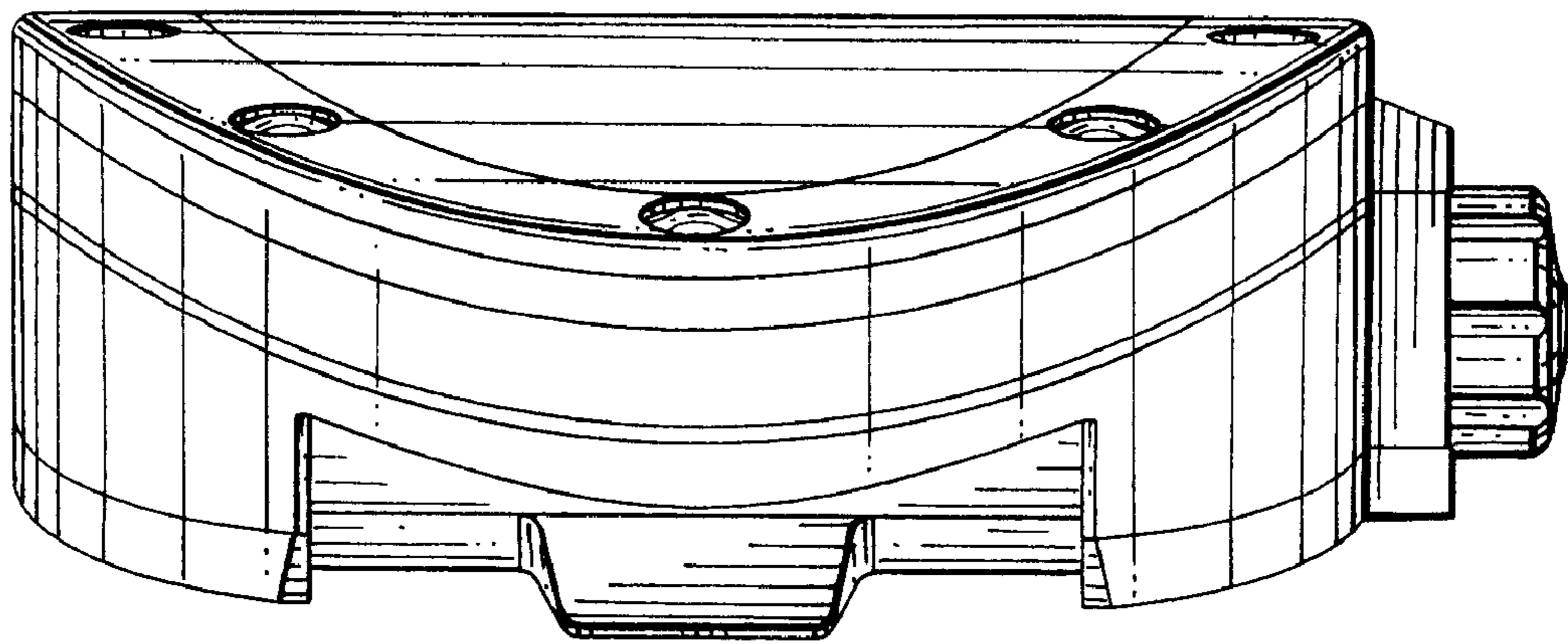


FIG. 2

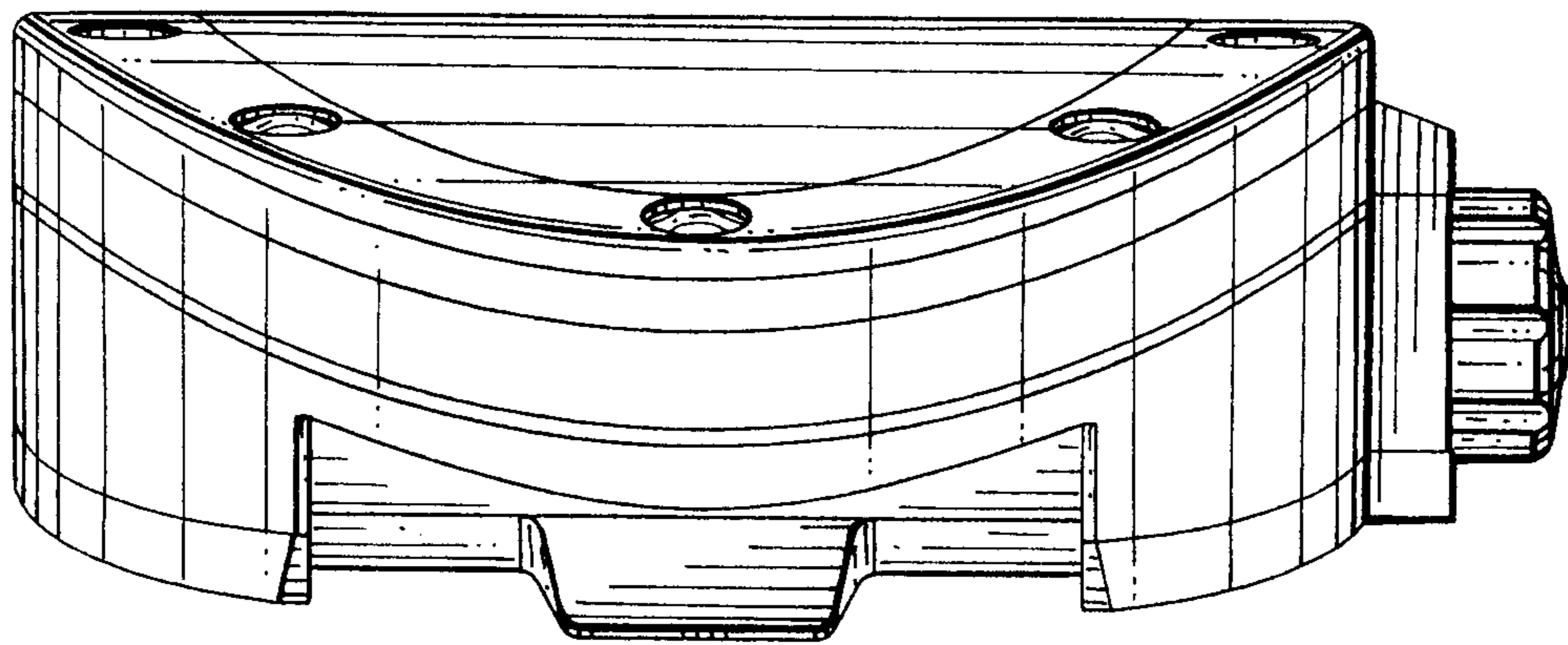


FIG. 3

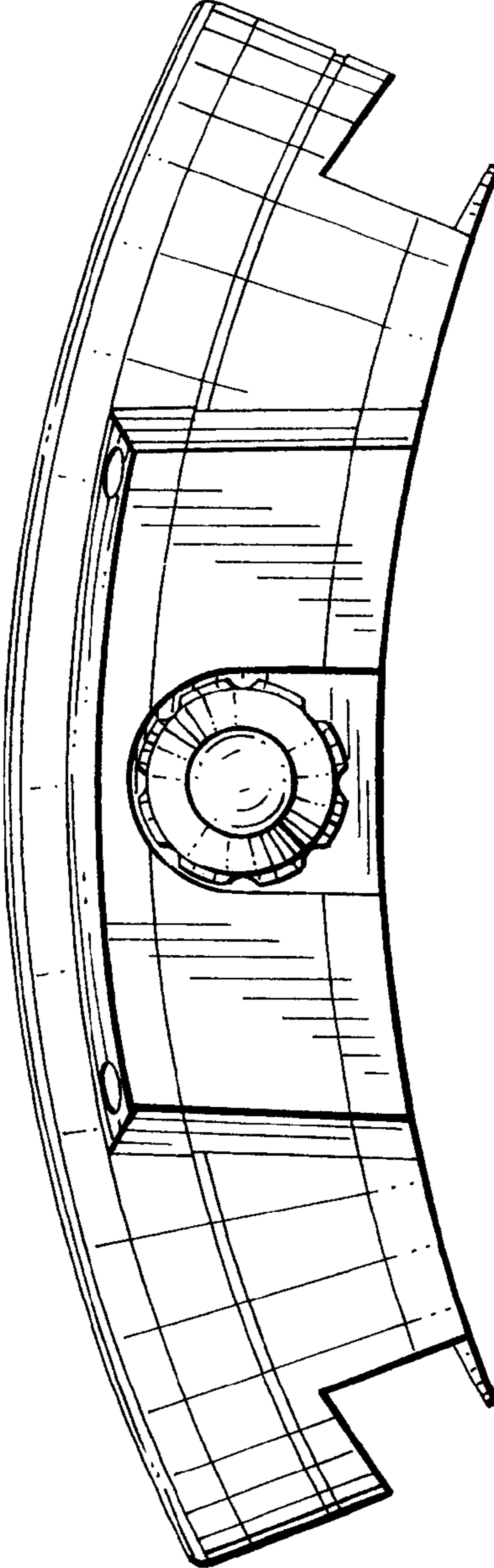
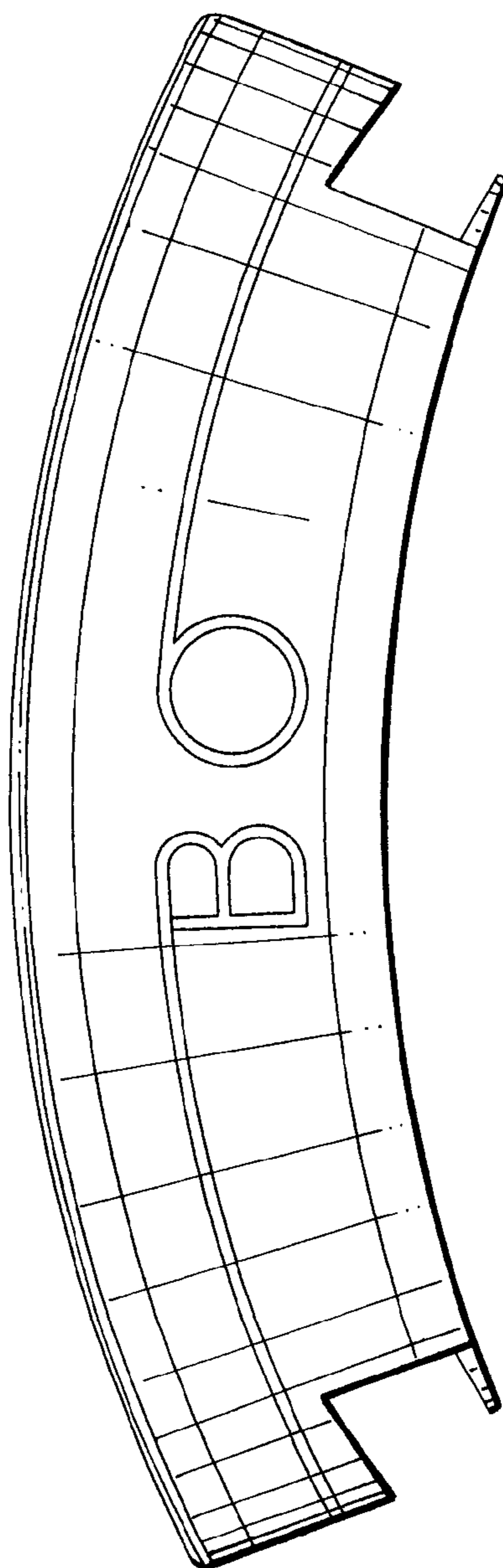


FIG. 4

FIG. 5



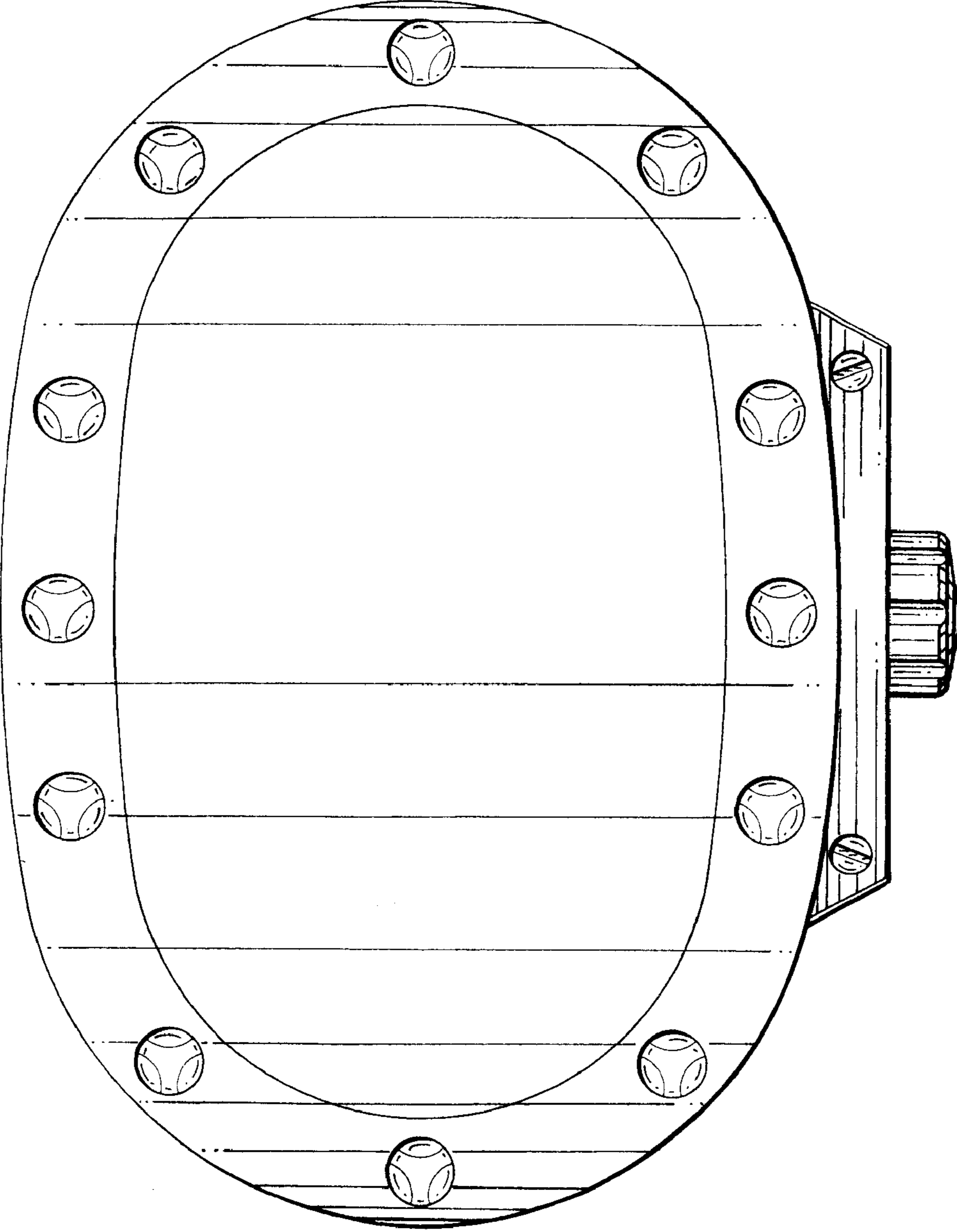


FIG. 6

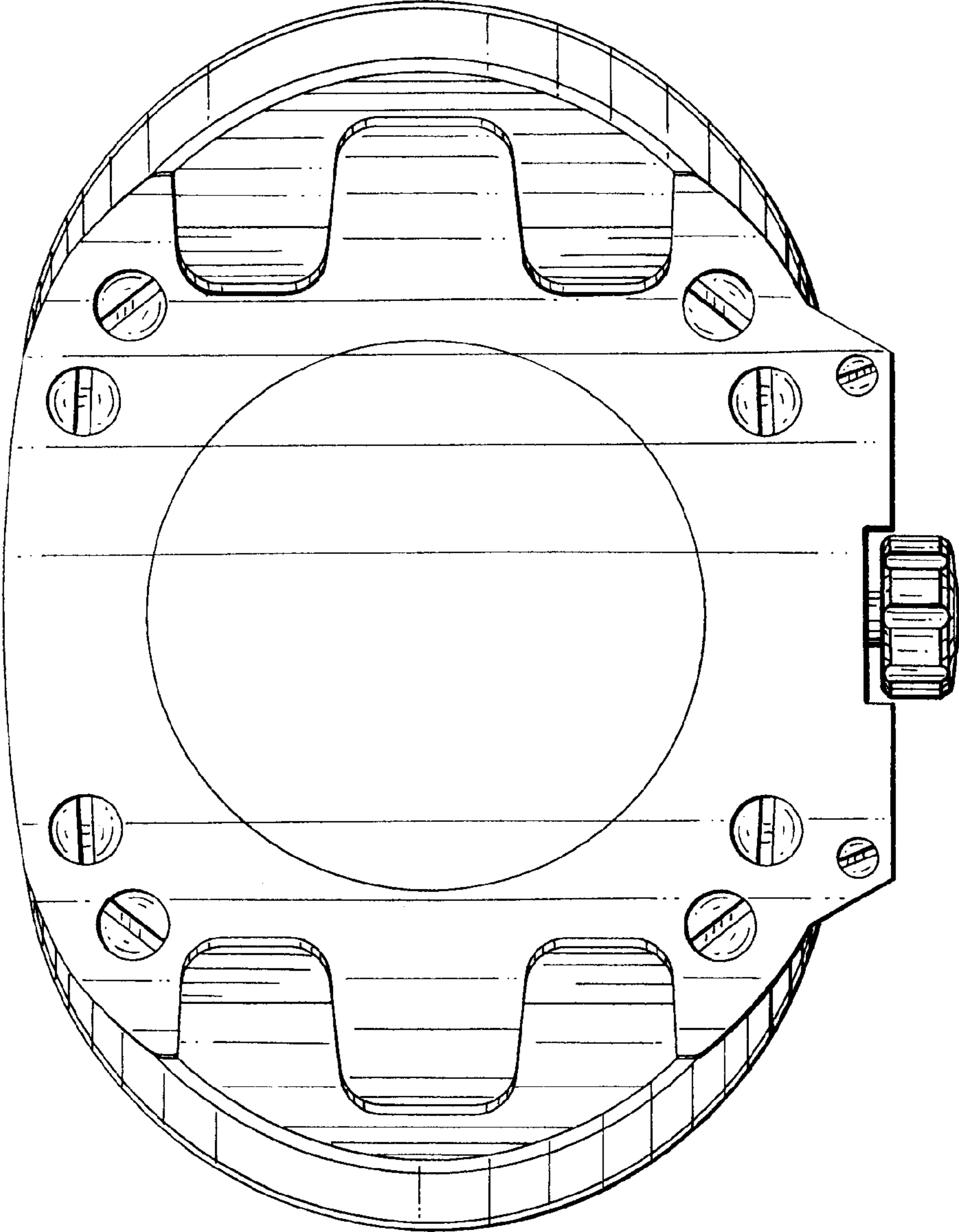


FIG. 7