



US00D617210S

(12) **United States Design Patent**
Abolfazlian et al.

(10) **Patent No.:** **US D617,210 S**
(45) **Date of Patent:** **** Jun. 8, 2010**

(54) **COMBINED CAN AND LIDS**

Primary Examiner—Shanda C Hill

(74) *Attorney, Agent, or Firm—Day Pitney LLP*

(75) Inventors: **Mazyar Abolfazlian**, Aarhus C (DK);
Maria Hjort Pedersen, Vejle (DK)

(57) **CLAIM**

(73) Assignee: **Glud & Marstrand A/S**, Losning (DK)

The ornamental design for a combined can and lids, as shown and described.

(**) Term: **14 Years**

(21) Appl. No.: **29/313,492**

(22) Filed: **Jan. 9, 2009**

(30) **Foreign Application Priority Data**

Dec. 19, 2008 (EM) 001059539

(51) **LOC (9) Cl.** **09-01**

(52) **U.S. Cl.** **D9/772**

(58) **Field of Classification Search** D9/428,
D9/500–504, 763, 772, 776–781; D7/601;
D28/4, 9, 76, 82, 91; 215/235, 542, 321,
215/581, 823; 220/4.27, 297, 521, 784, 789
See application file for complete search history.

(56) **References Cited**

U.S. PATENT DOCUMENTS

4,098,421	A *	7/1978	Foster	215/321
4,165,815	A *	8/1979	Vetter	220/4.27
D352,896	S *	11/1994	Jones	D9/428
D494,474	S *	8/2004	Houk et al.	D9/504
D498,678	S *	11/2004	Ames	D9/529
D510,524	S *	10/2005	Houk et al.	D9/503
D512,636	S *	12/2005	Pace	D9/504
D513,386	S *	1/2006	Pace et al.	D9/504
D514,936	S *	2/2006	Pace et al.	D9/504
D515,426	S *	2/2006	Pace et al.	D9/504
D515,928	S *	2/2006	Pace	D9/504
D523,752	S *	6/2006	Bried et al.	D9/504
D531,036	S *	10/2006	Bried et al.	D9/504

DESCRIPTION

FIG. 1 is a top front perspective of a combined can with lids shown with the top lid removed;

FIG. 2 is an exploded view of the combined can and lids shown with the top lid;

FIG. 3 is an exploded view of the combined can with lids shown in FIG. 1;

FIG. 4 is a another exploded view of the combined can with lids shown FIG. 1;

FIG. 5 is another exploded view of the combined can with lids shown in FIG. 2;

FIG. 6 is another exploded view of the combined can with lids shown in FIG. 1;

FIG. 7 is a first side view of the combined can with lids shown in FIG. 1;

FIG. 8 is a second side view of the combined can with lids shown in FIG. 1;

FIG. 9 is a third side view of the combined can with lids shown in FIG. 1;

FIG. 10 is a fourth side view of the combined can with lids shown in FIG. 1;

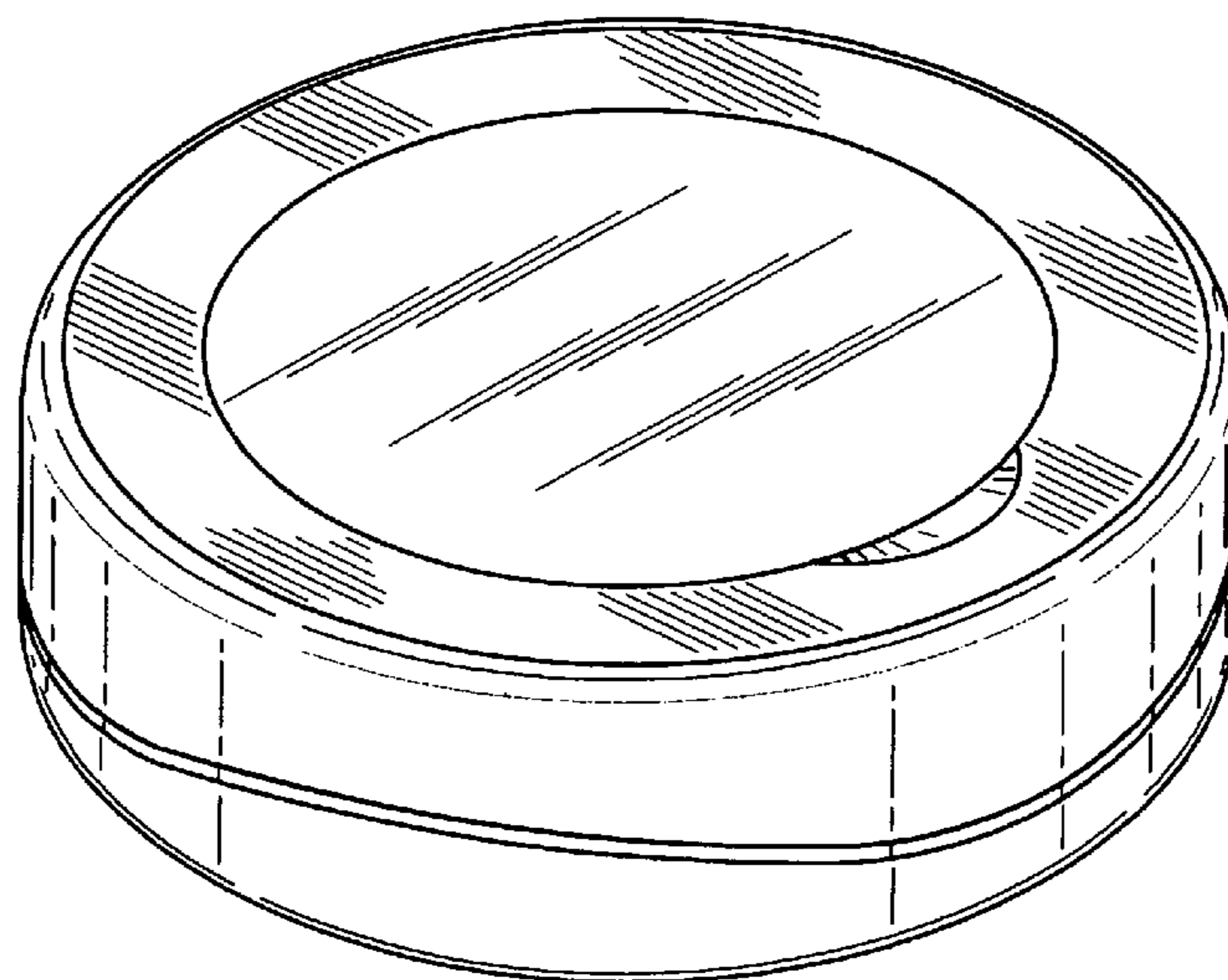
FIG. 11 is a top plan view of the combined can with lids shown in FIG. 1;

FIG. 12 is a bottom plan view of the combined can with lids shown in FIG. 1; and,

FIG. 13 is another exploded view of the combined can with lids shown in FIG. 2.

* cited by examiner

1 Claim, 9 Drawing Sheets



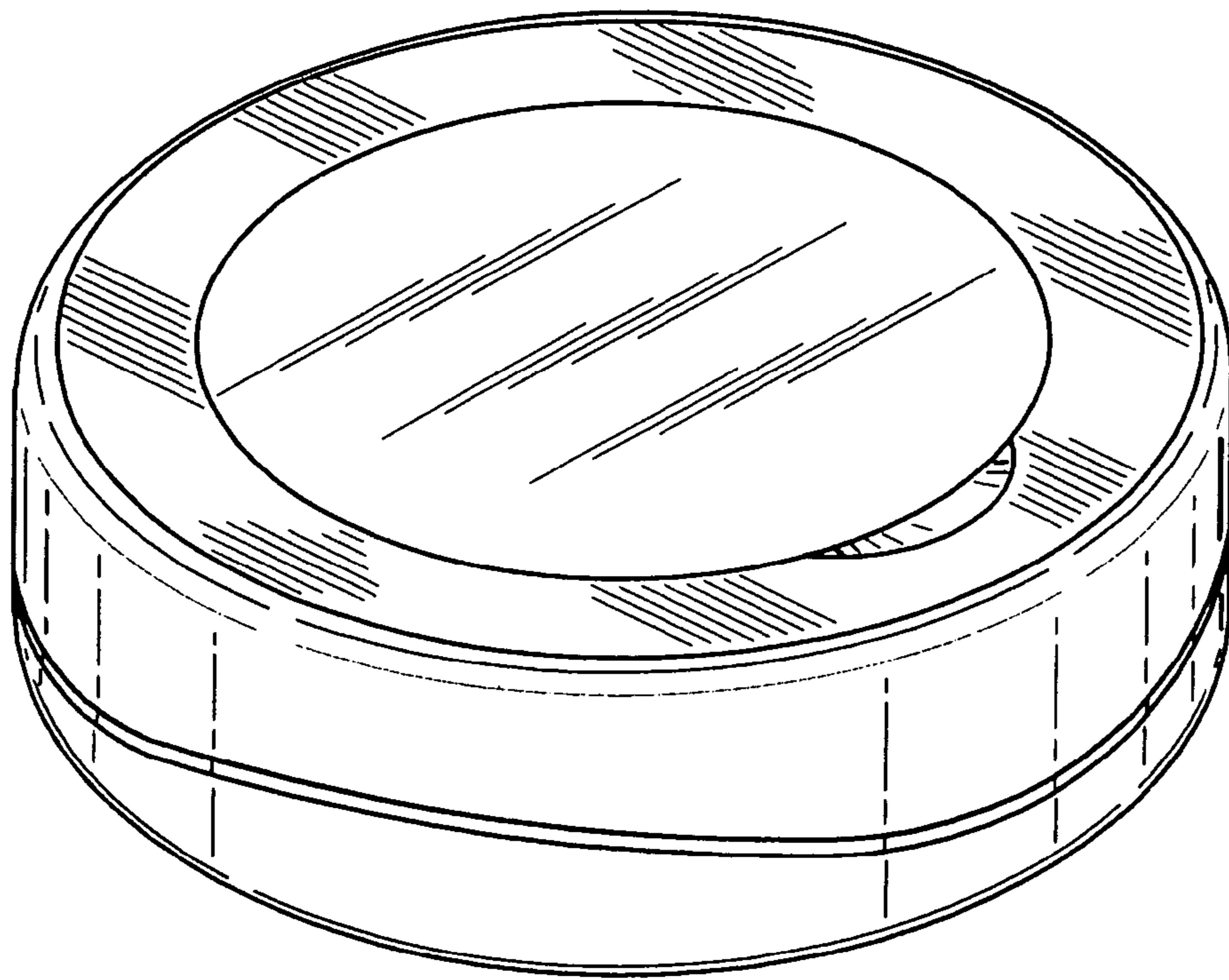


FIG. 1

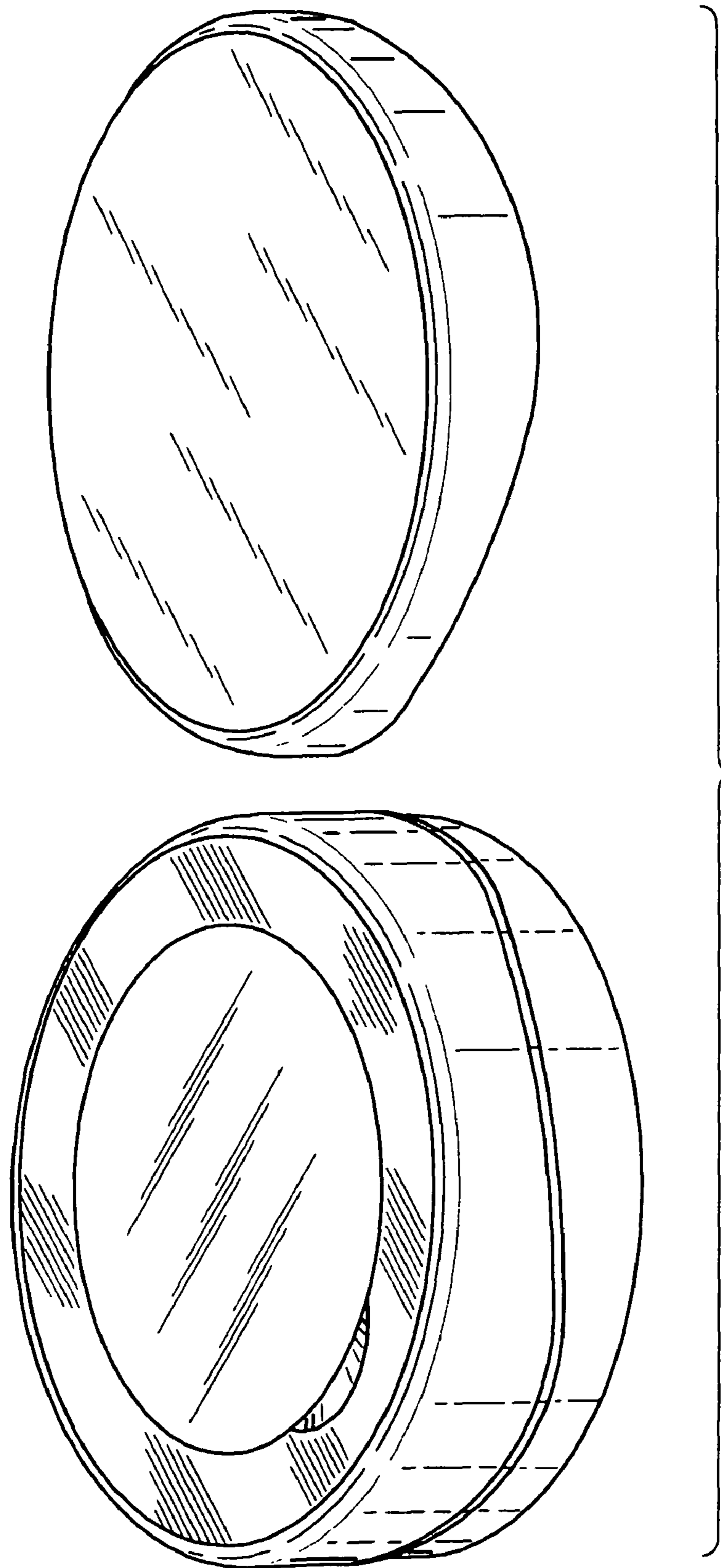


FIG. 2

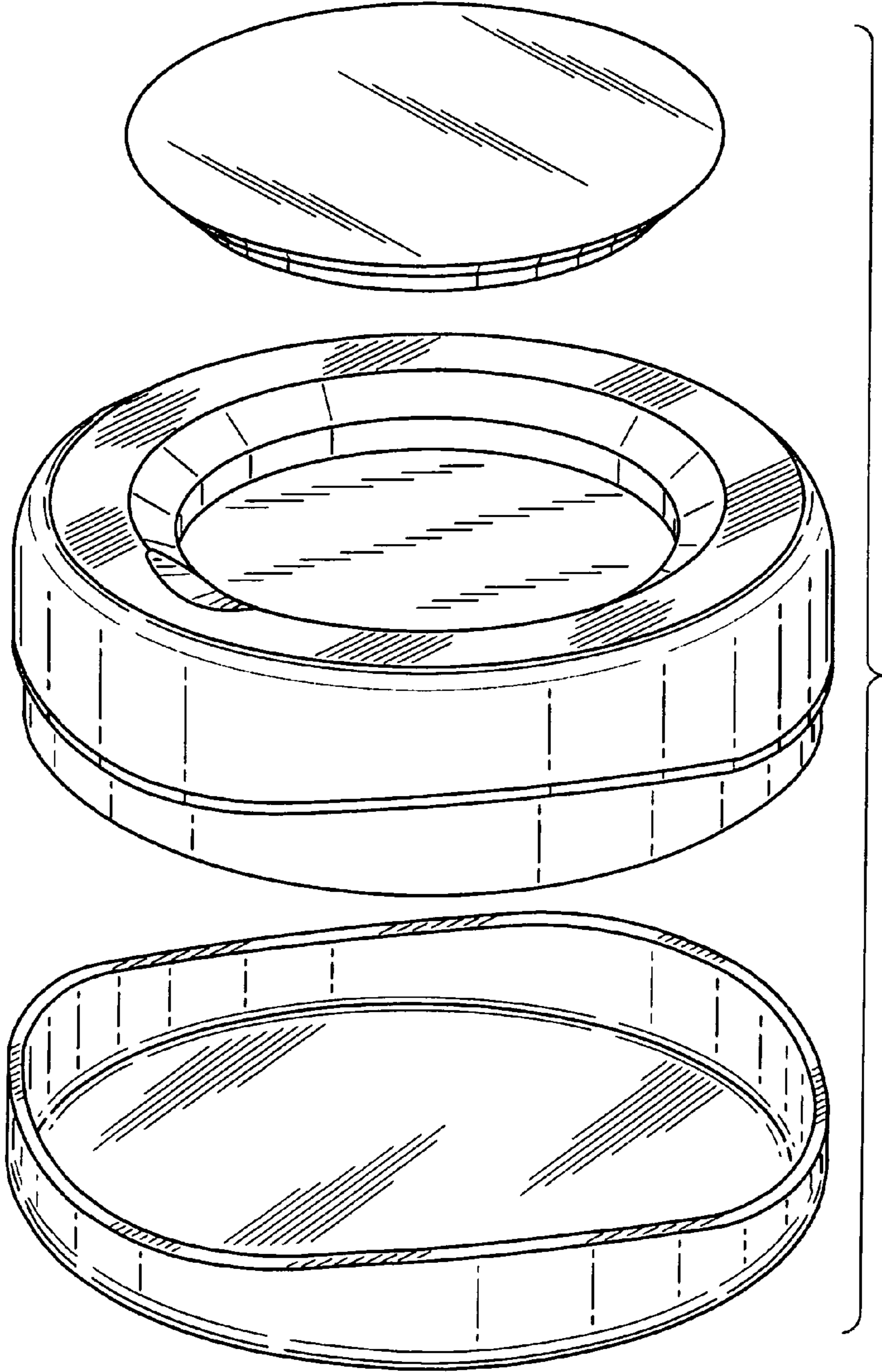


FIG. 3

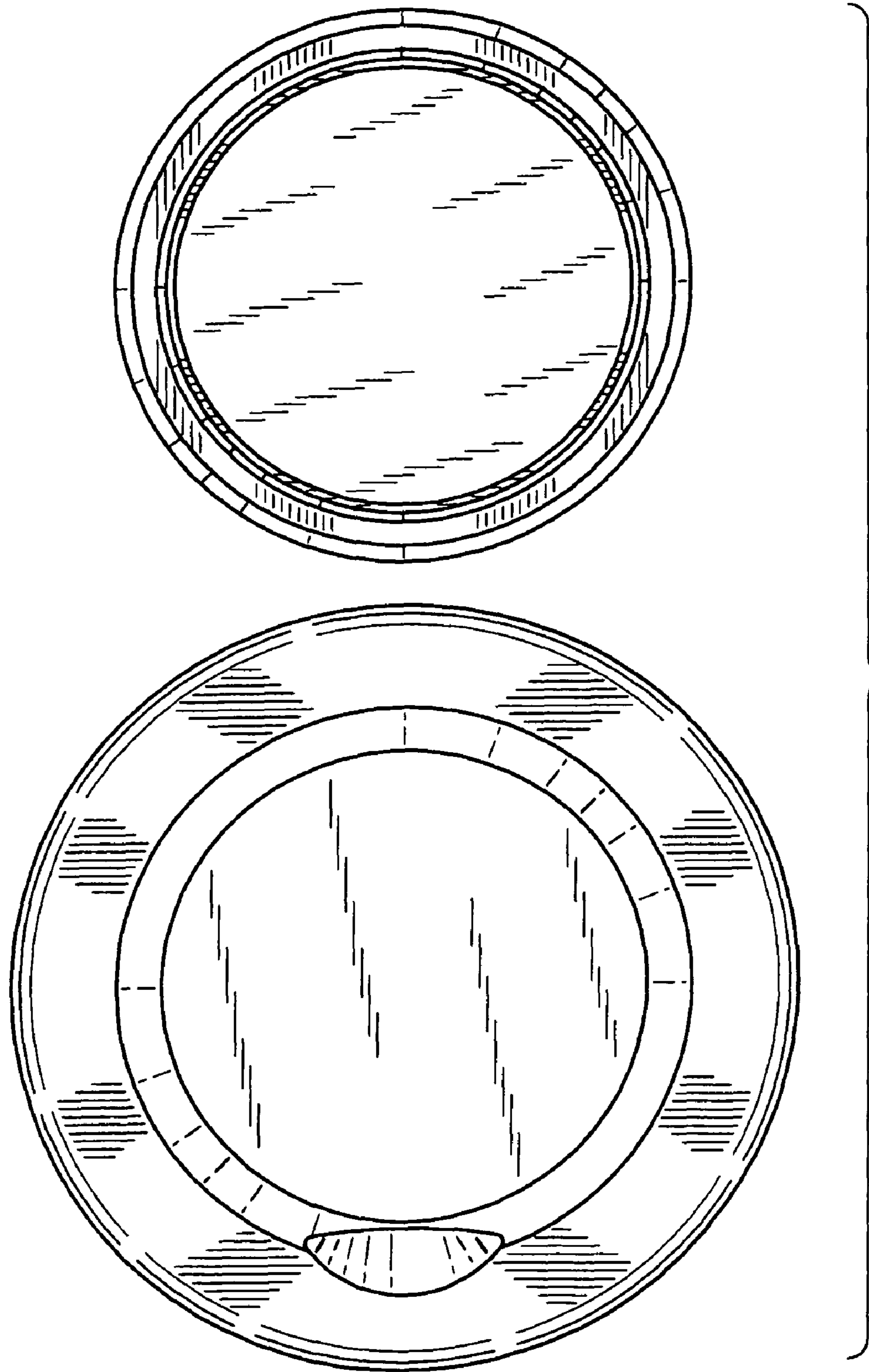


FIG. 4

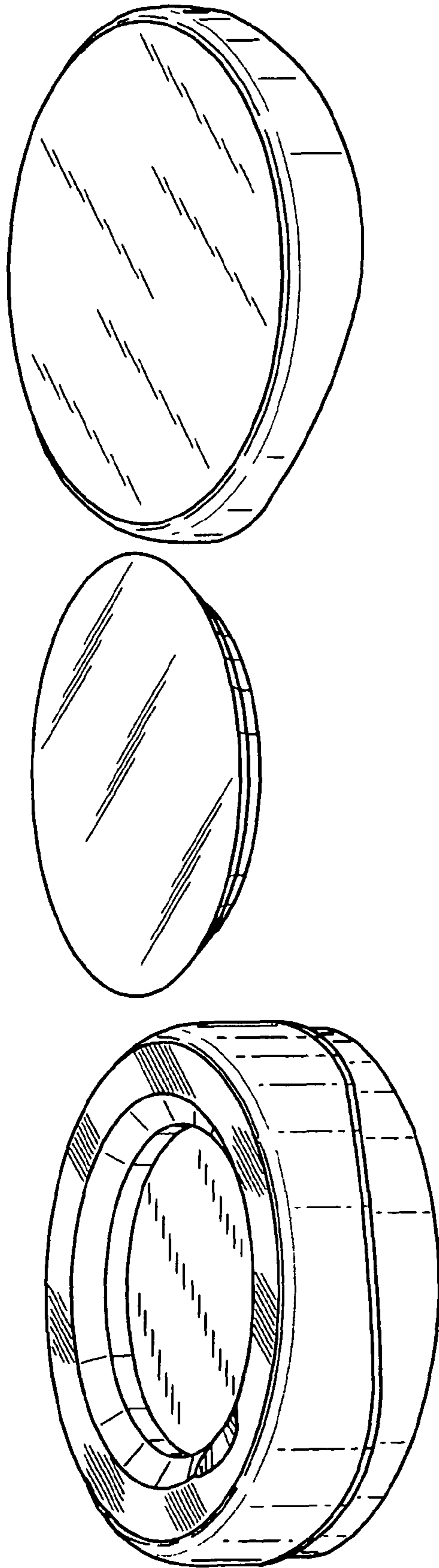


FIG. 5

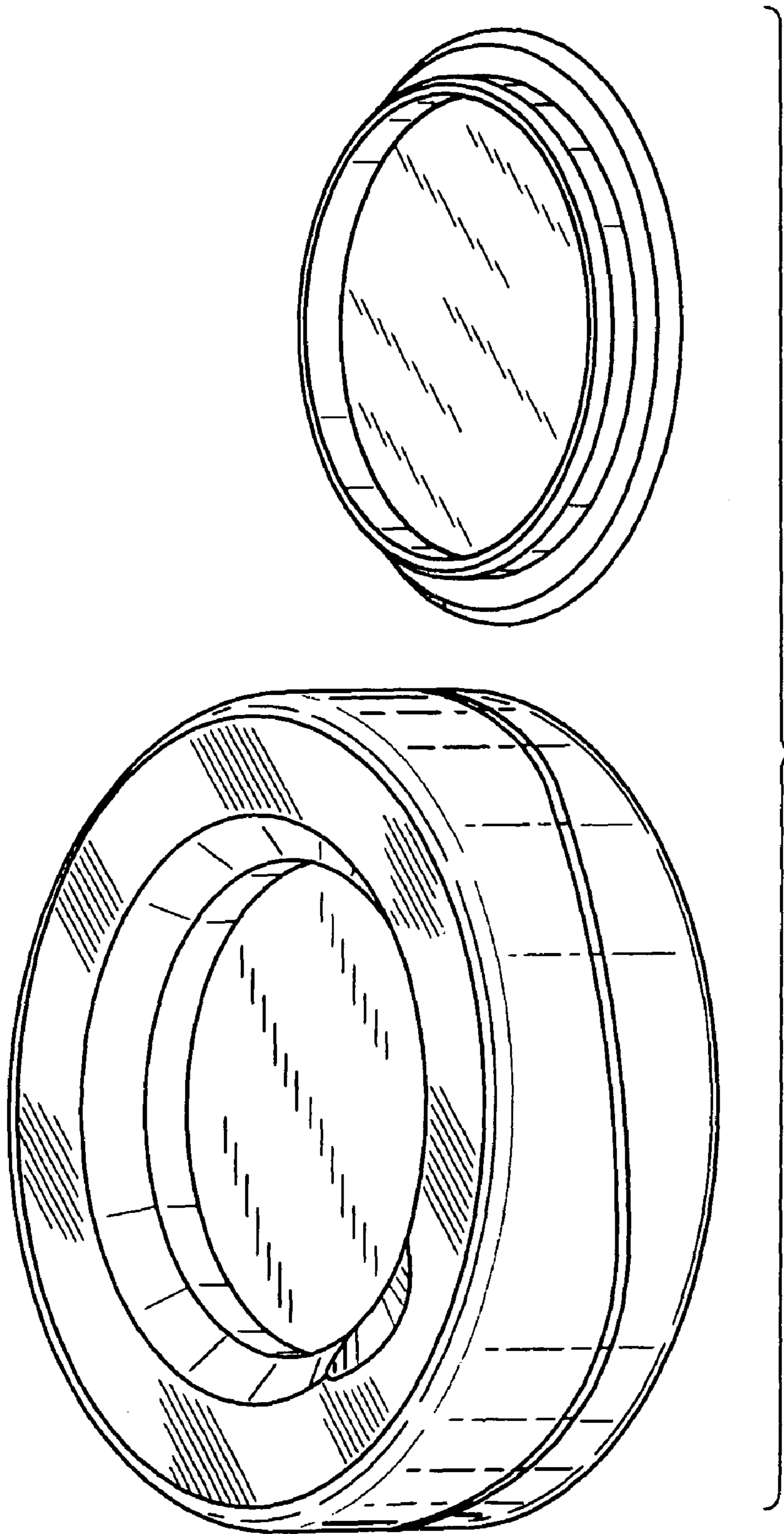


FIG. 6

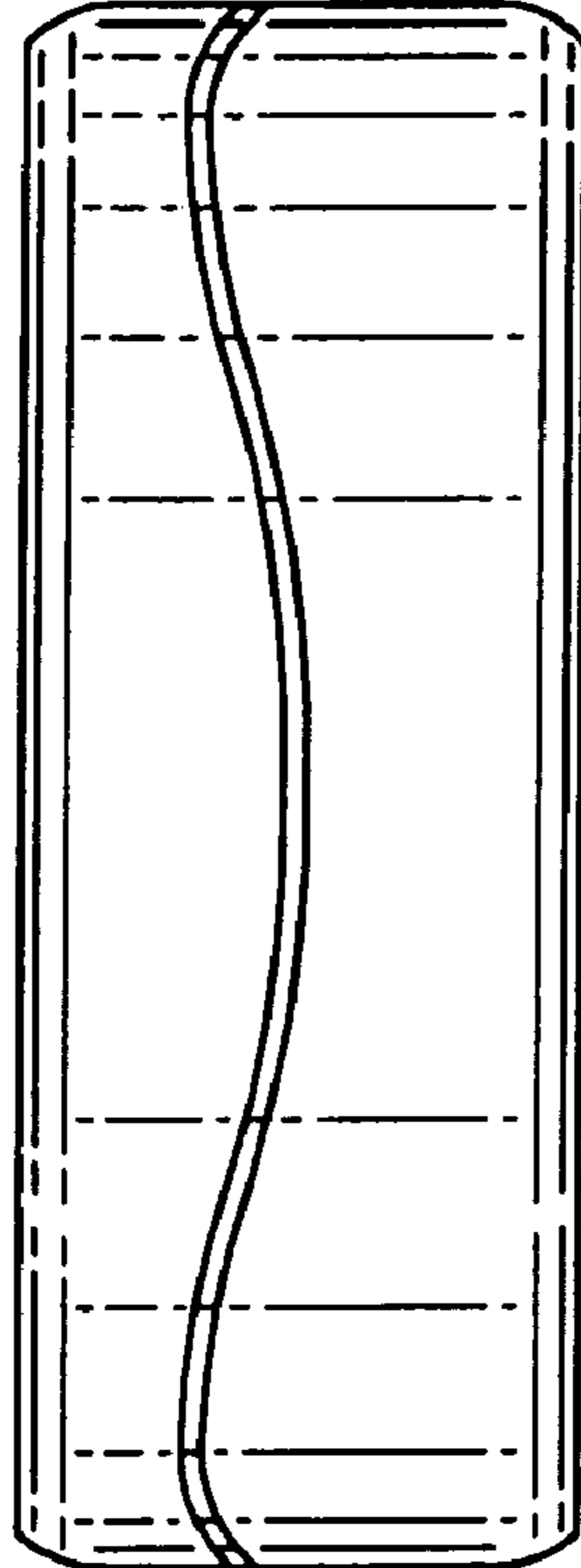


FIG. 7

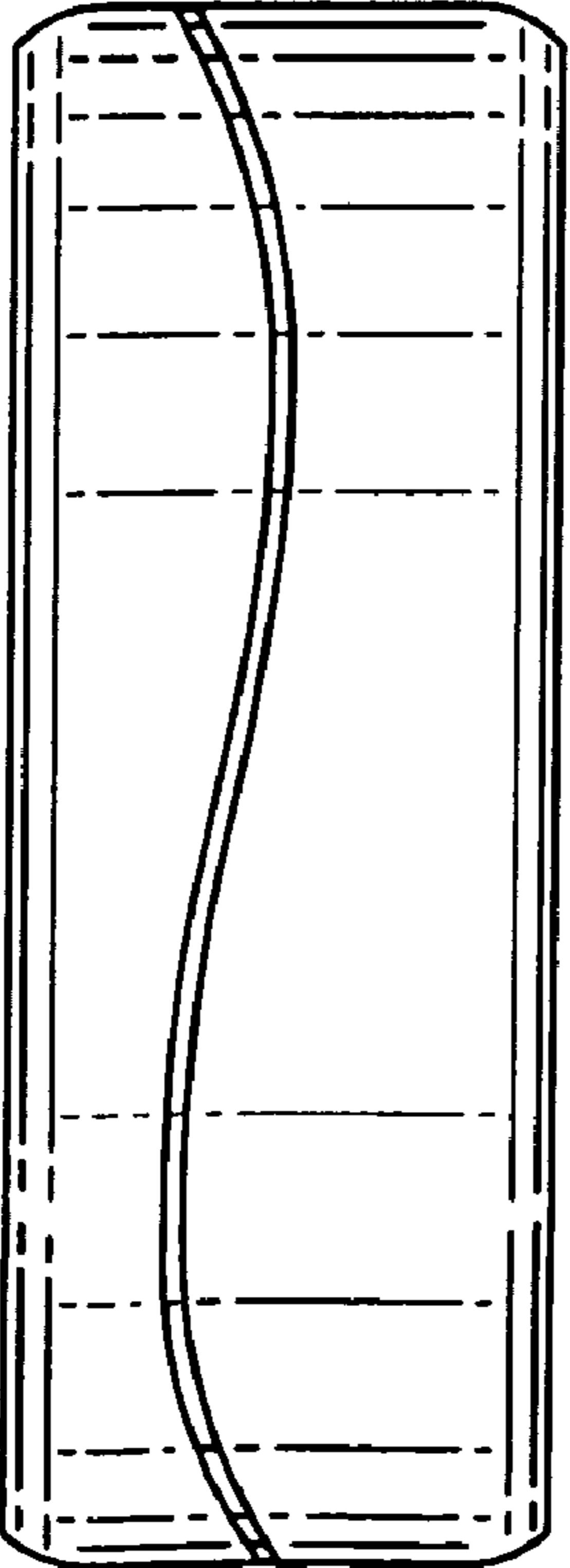


FIG. 8

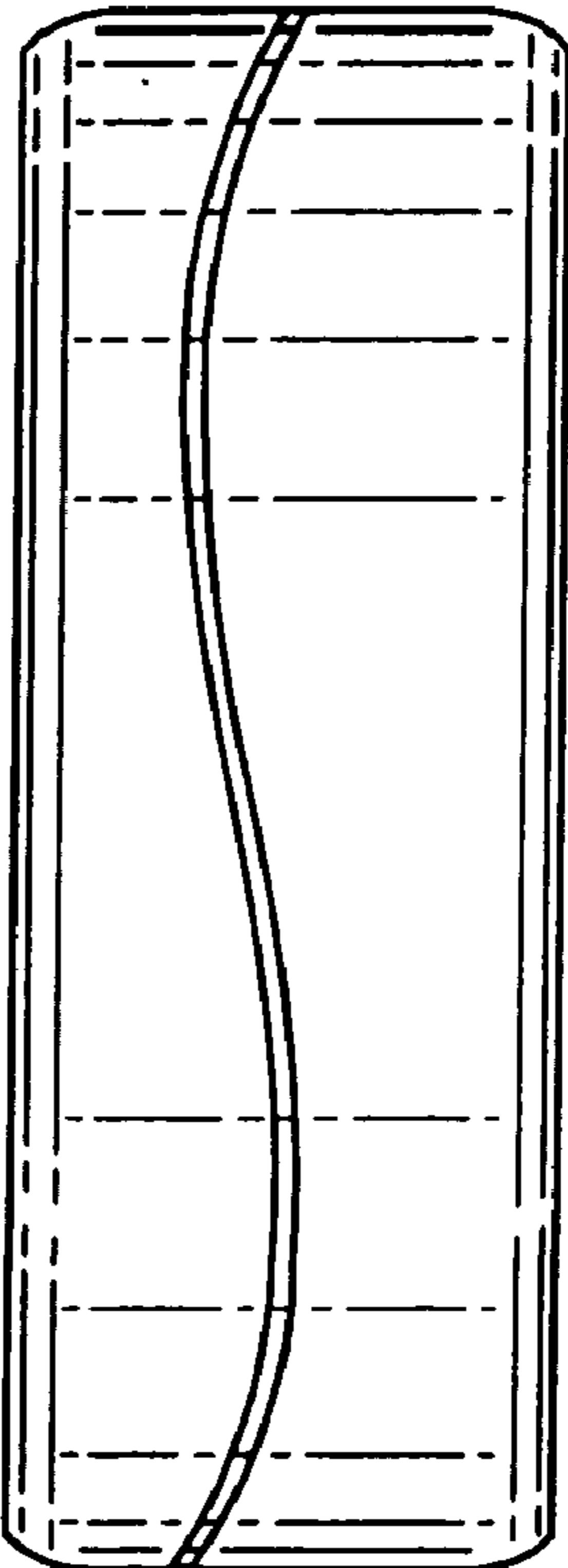


FIG. 9

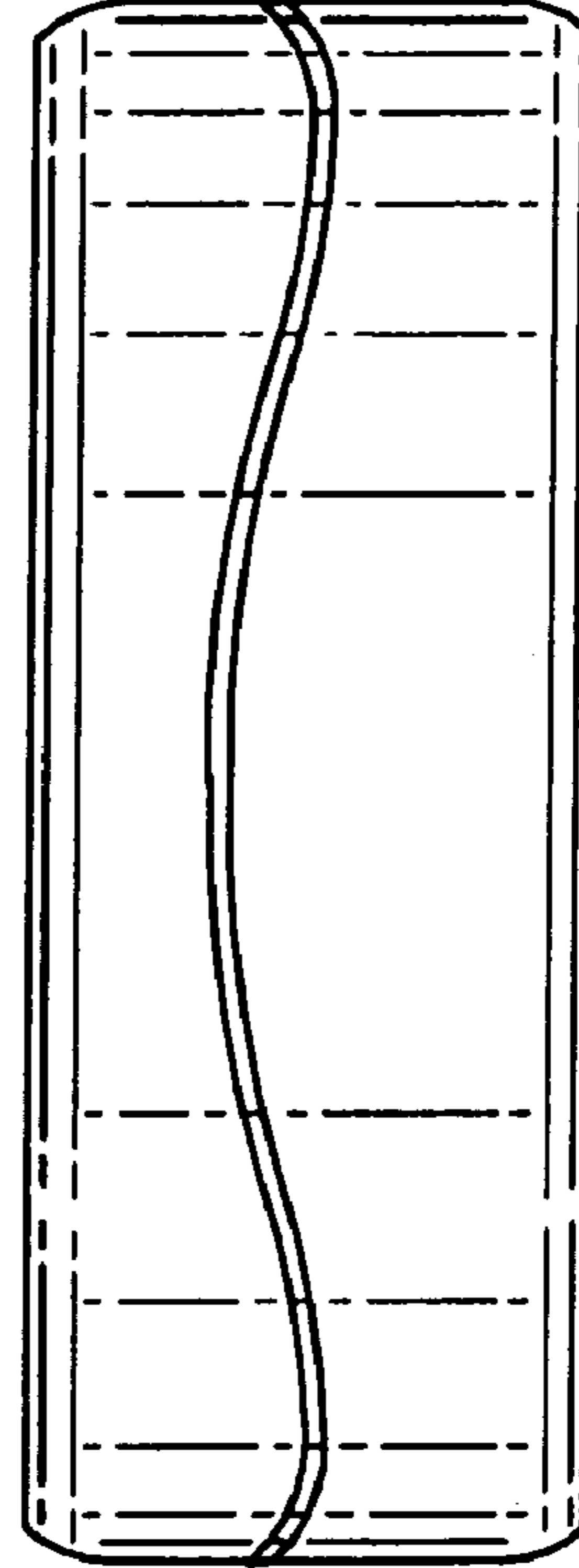


FIG. 10

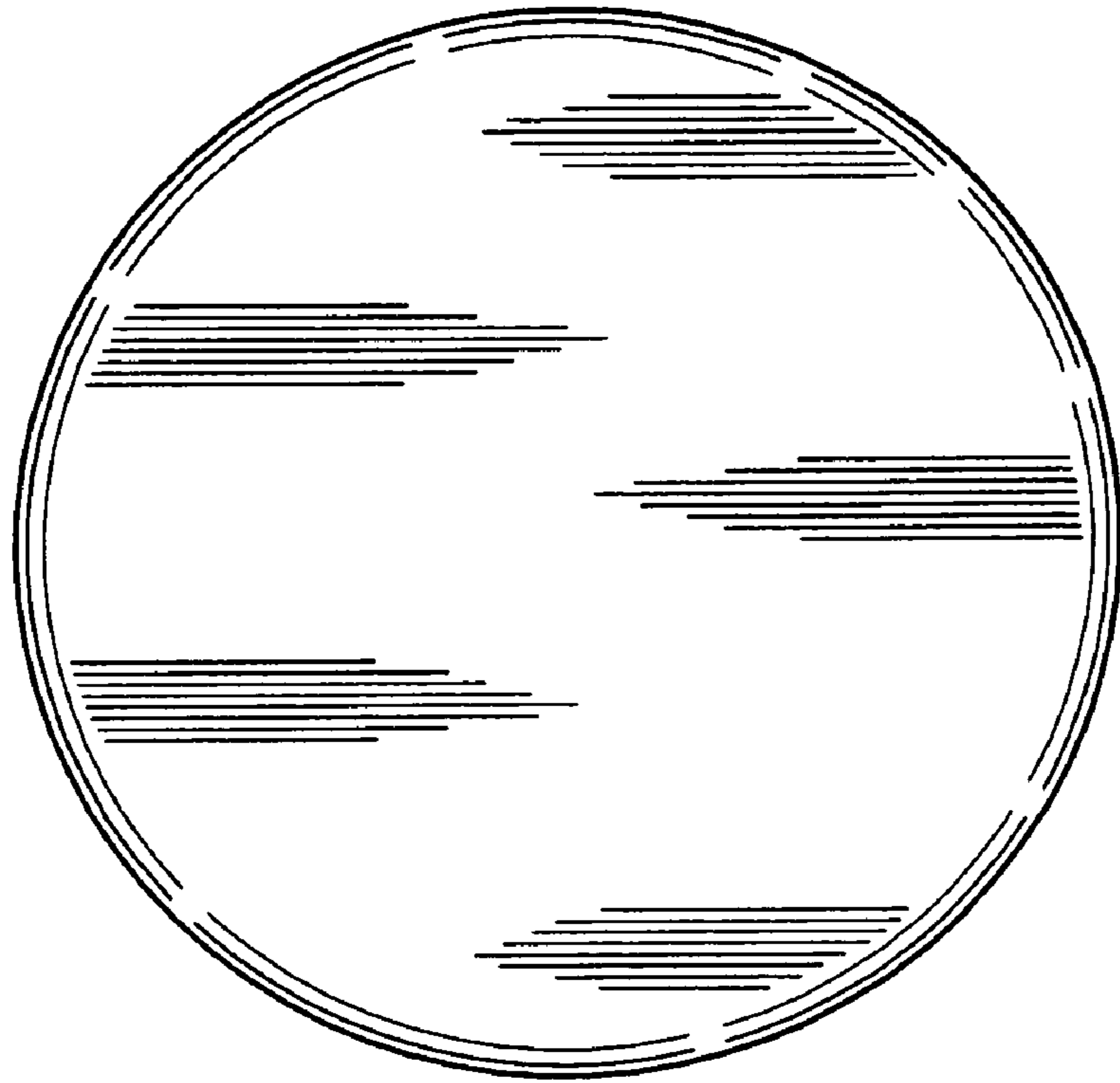


FIG. 12

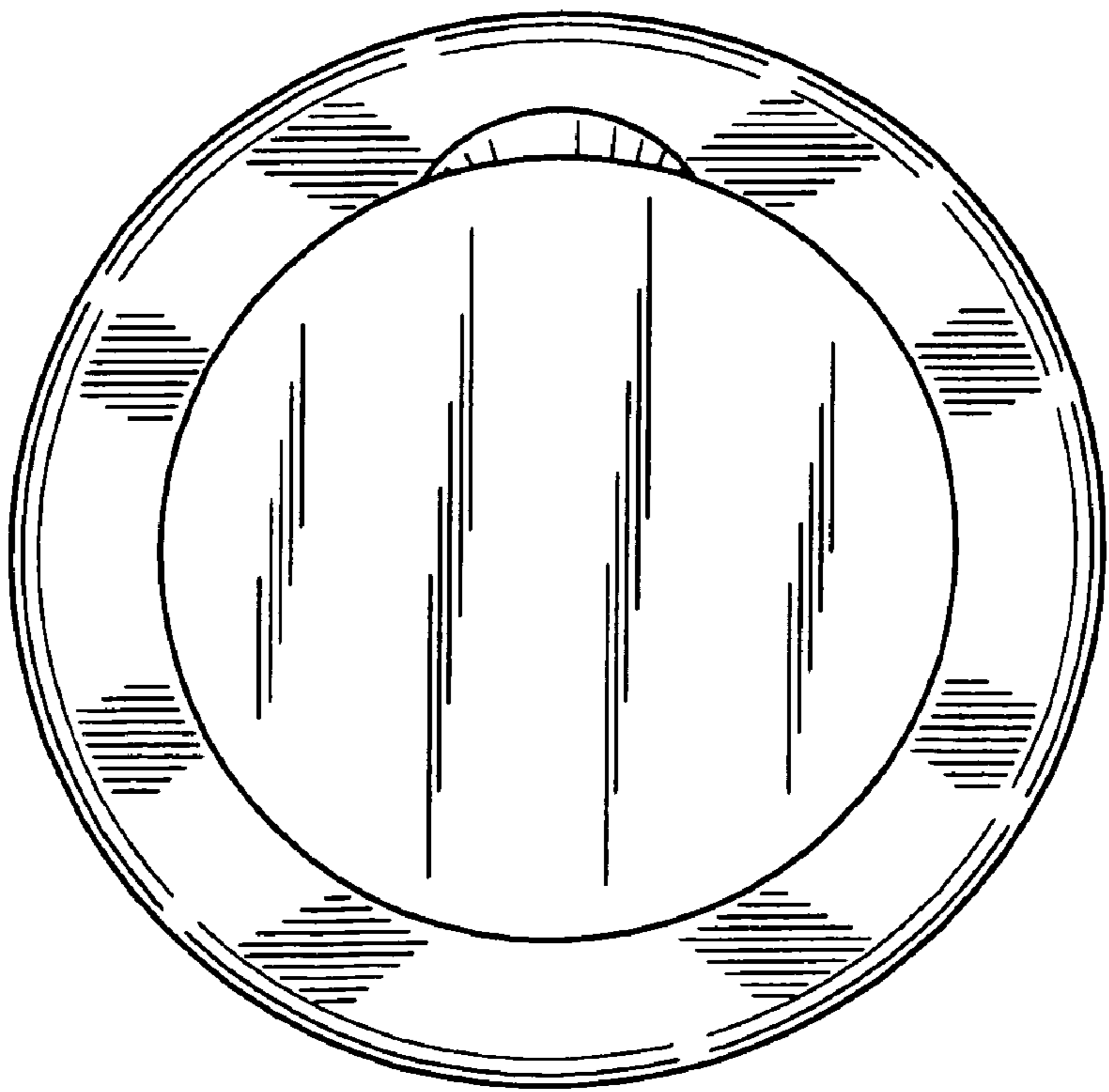


FIG. 11

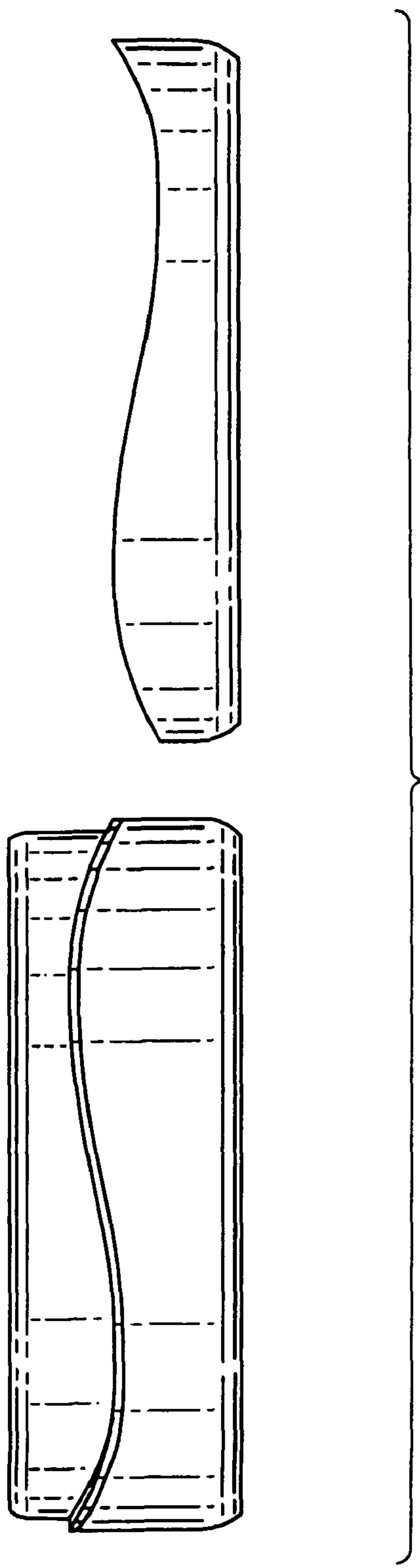


FIG. 13