



US00D617207S

(12) **United States Design Patent**
Florenca

(10) **Patent No.:** **US D617,207 S**
(45) **Date of Patent:** **** *Jun. 8, 2010**

(54) **FACETED BOTTLE**

D540,182 S 4/2007 Weaver
D561,532 S 2/2008 Martin
D596,493 S 7/2009 Florenca

(76) Inventor: **Isaias Florenca**, 19 Spiller Street,
Hamilton Hill, W.A. (AU)

(*) Notice: This patent is subject to a terminal disclaimer.

Primary Examiner—Sandra Morris
(74) *Attorney, Agent, or Firm*—Kinney & Lange, P.A.

(**) Term: **14 Years**

(57) **CLAIM**

(21) Appl. No.: **29/329,630**

The ornamental design for a faceted bottle, as shown and described.

(22) Filed: **Dec. 18, 2008**

DESCRIPTION

(51) **LOC (9) Cl.** **09-01**

(52) **U.S. Cl.** **D9/680; D9/600**

(58) **Field of Classification Search** D9/600,
D9/667, 679–680, 686, 693–694; D7/514–517,
D7/519–520, 613, 619.2, 628, 702; 206/457,
206/822; 215/400; 220/890

See application file for complete search history.

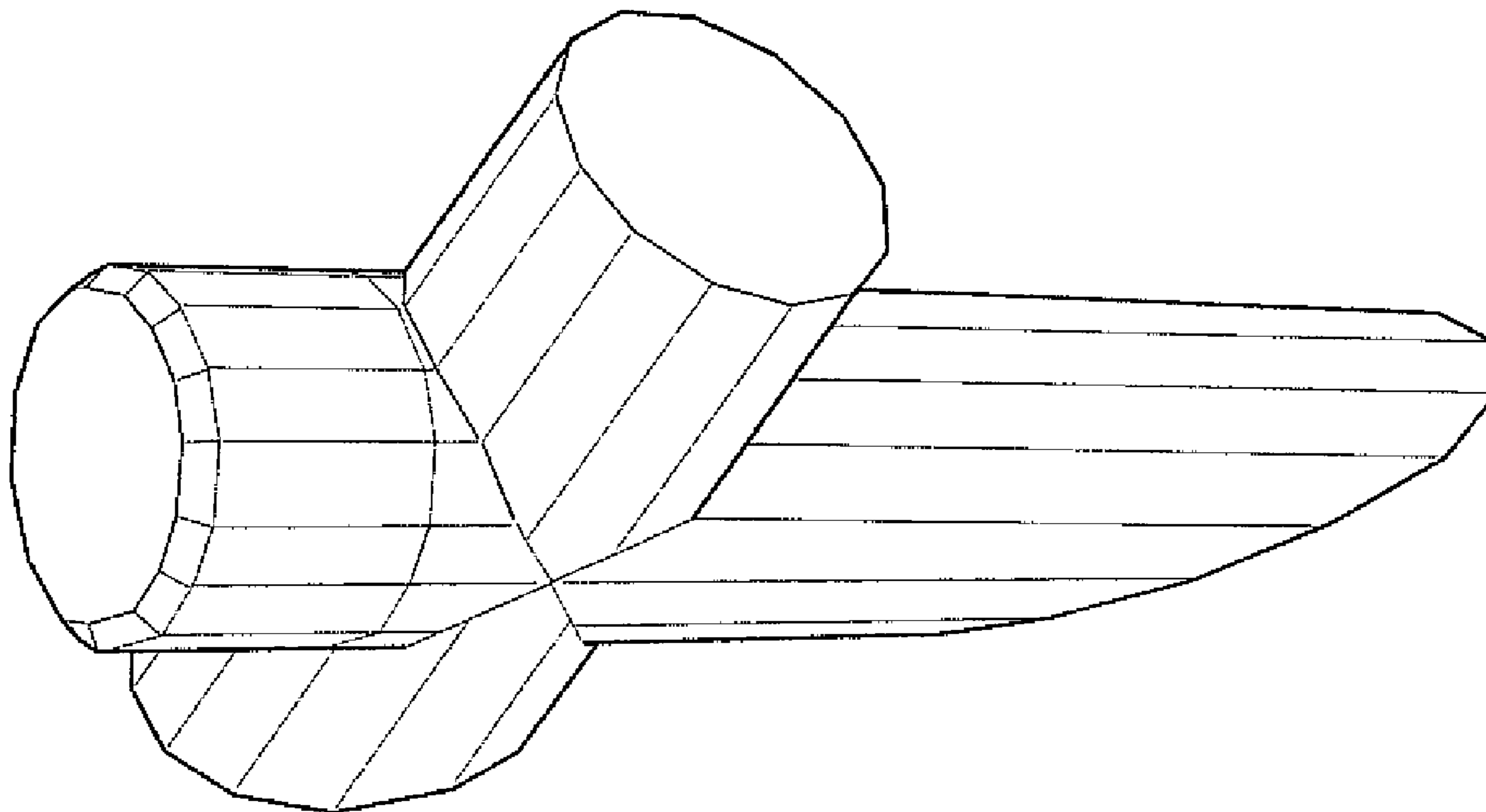
FIG. 1 is a perspective view;
FIG. 2 is a top plan view;
FIG. 3 is a front elevational view;
FIG. 4 is a bottom plan view;
FIG. 5 is a left end view;
FIG. 6 is a right end view; and,
FIG. 7 is a perspective view from another angle.

(56) **References Cited**

U.S. PATENT DOCUMENTS

D133,280 S 8/1942 Karoff

1 Claim, 2 Drawing Sheets



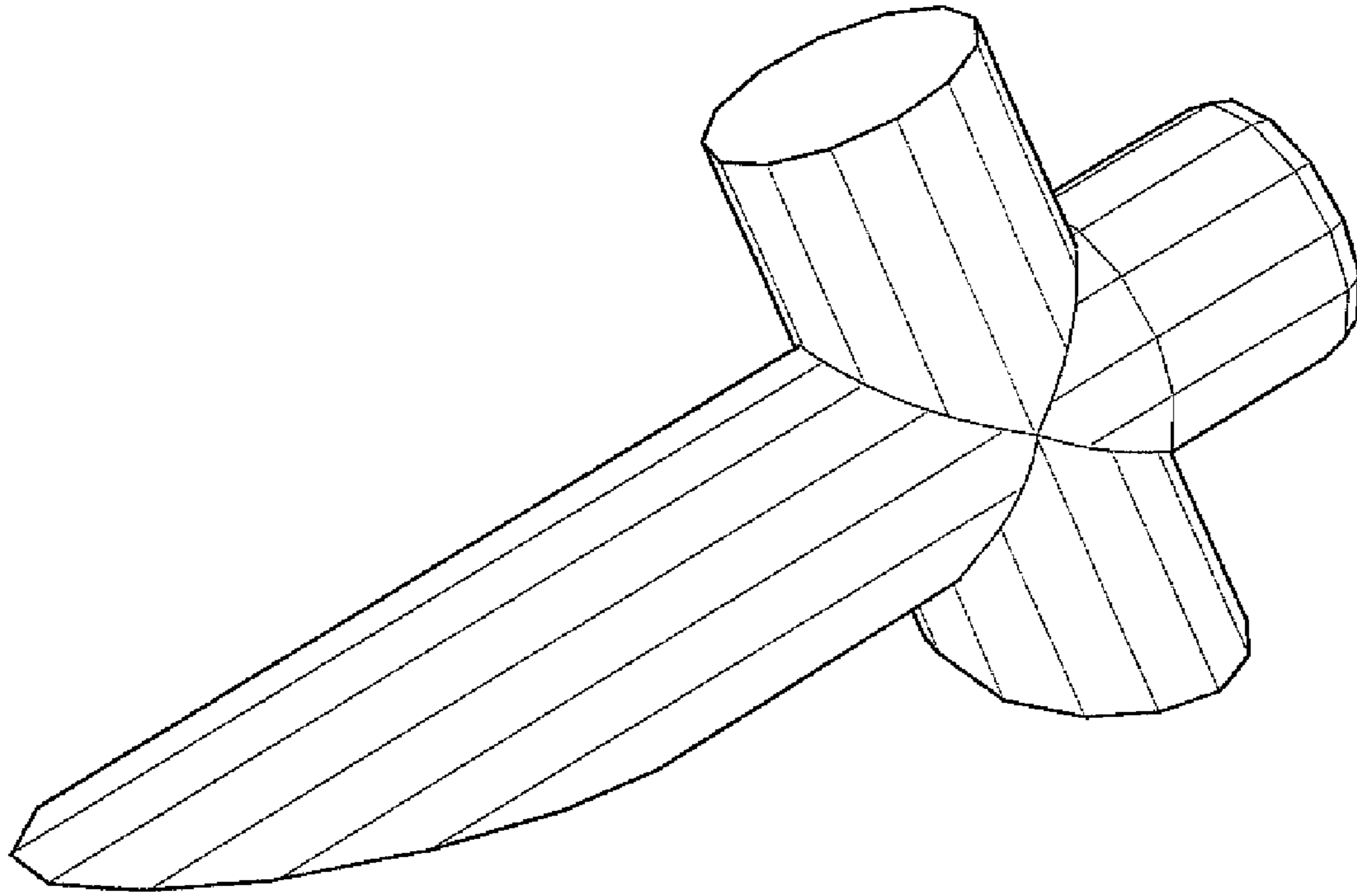


FIG. 7

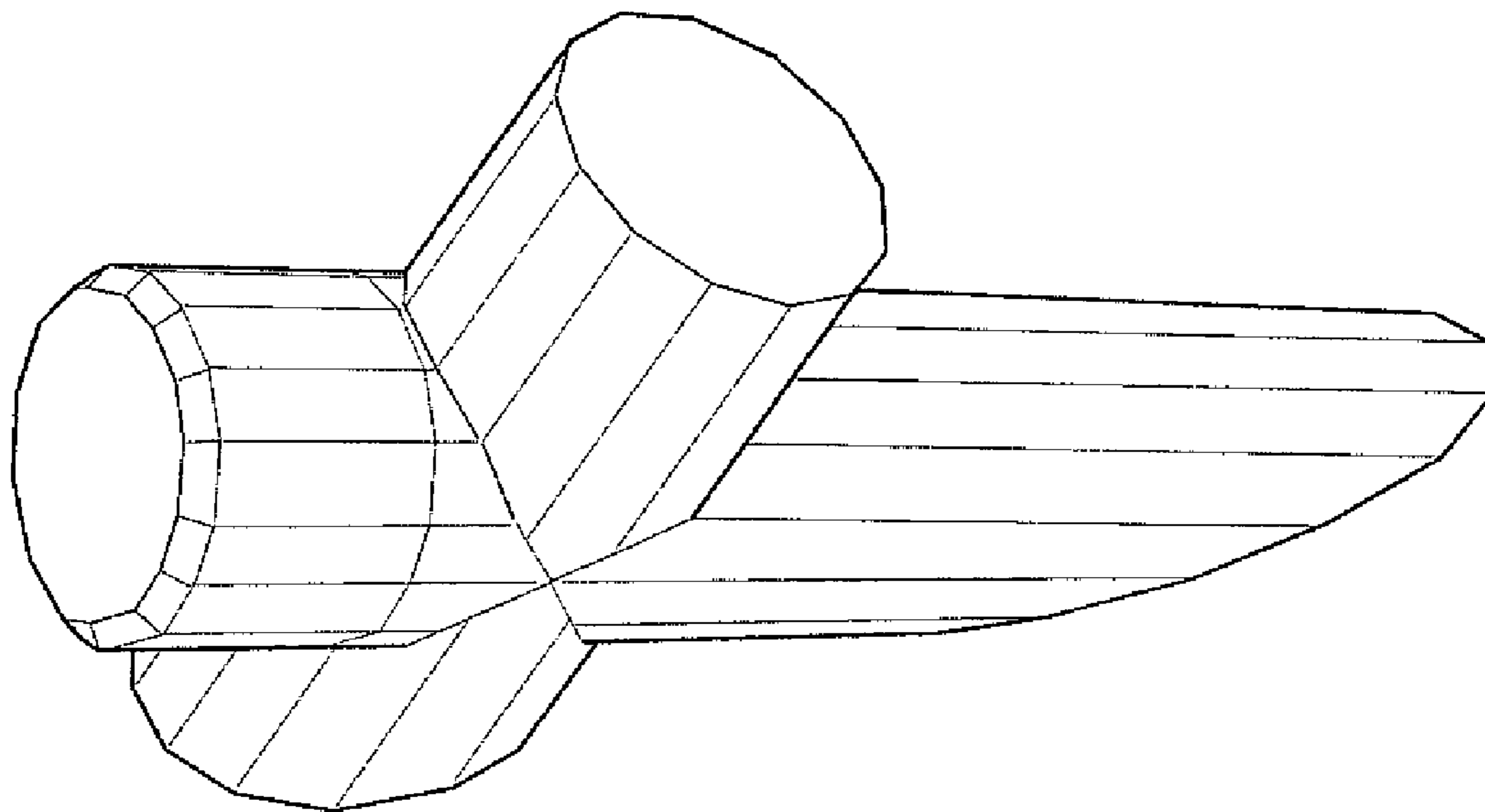


FIG. 1

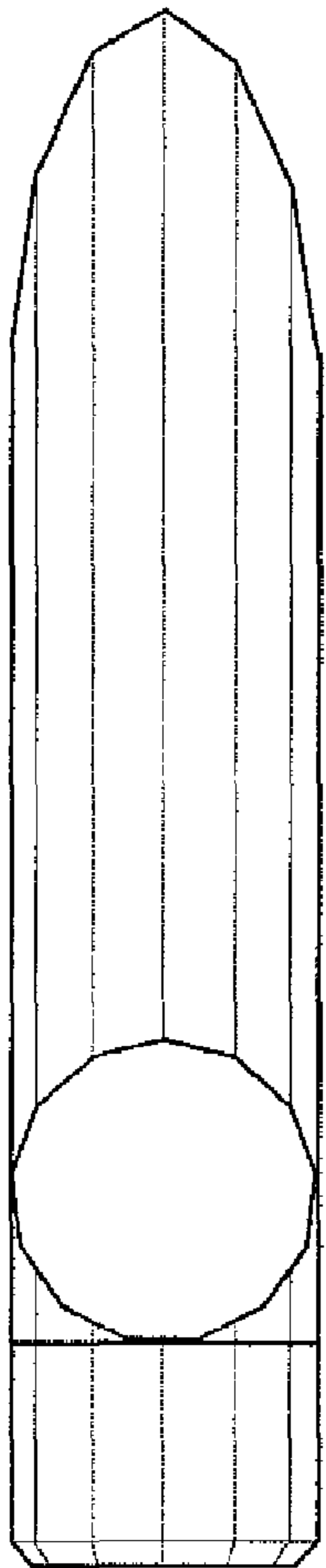


FIG. 2

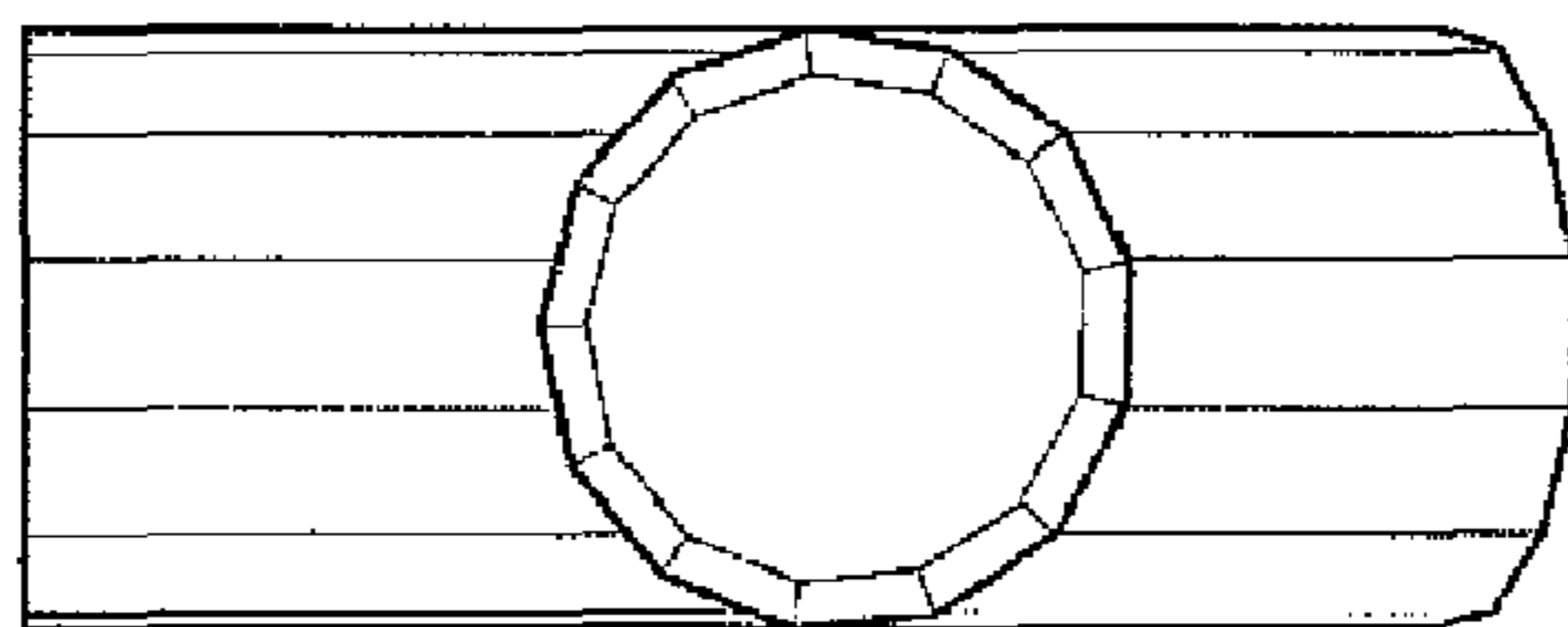


FIG. 5

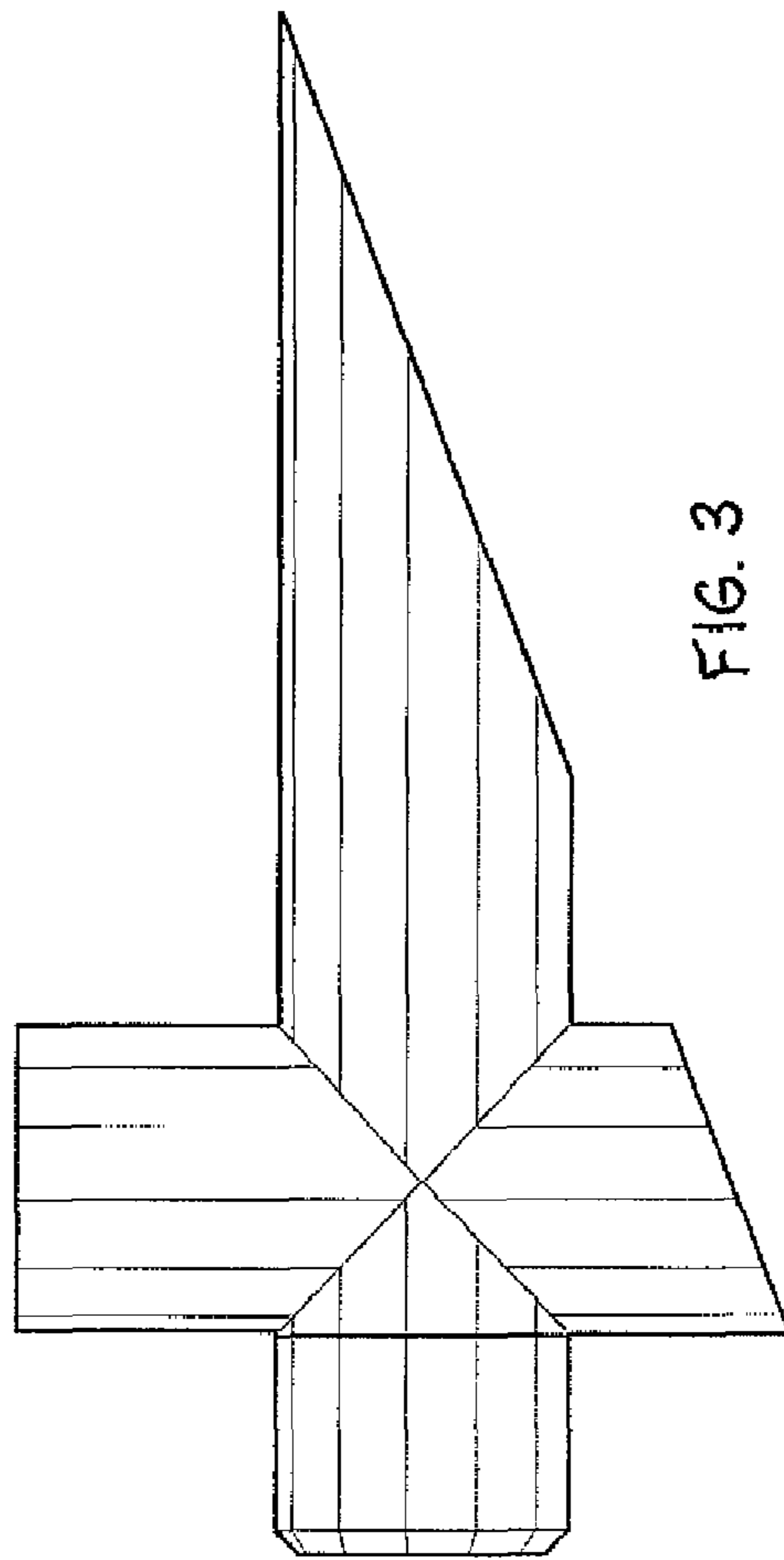


FIG. 3

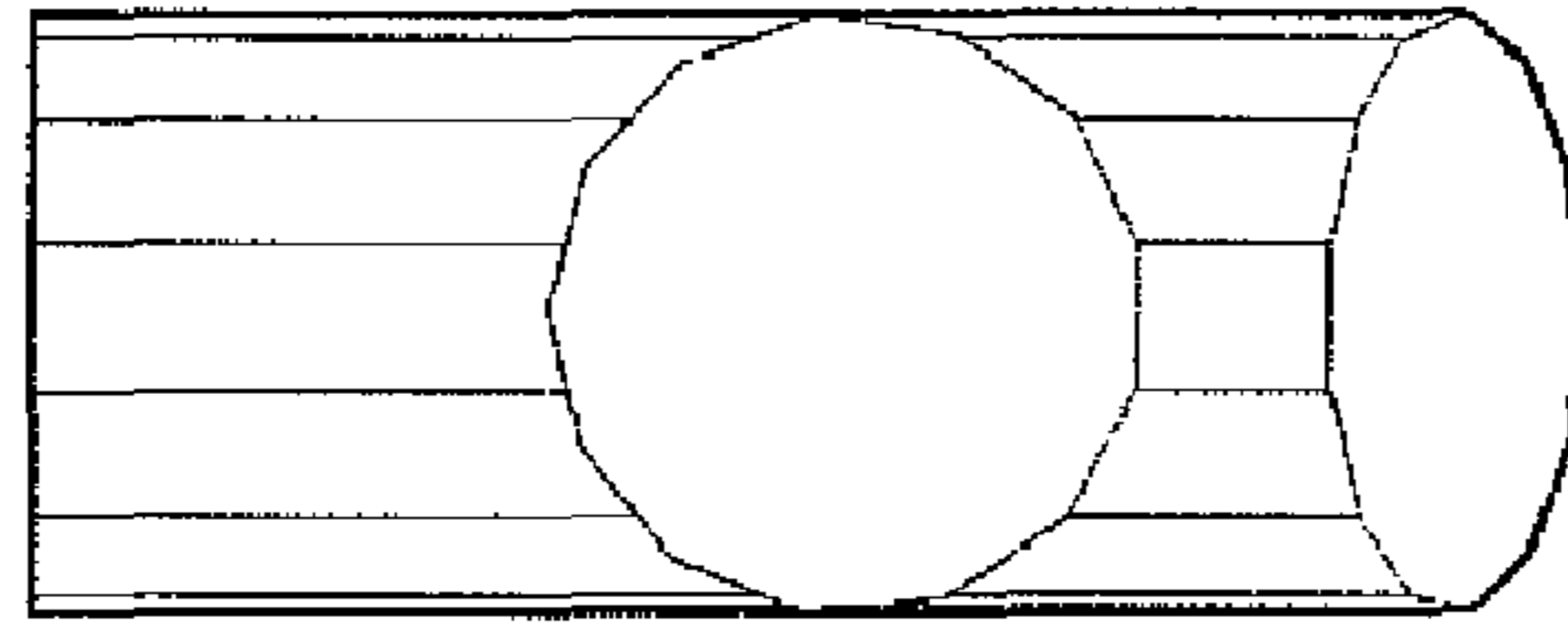


FIG. 6

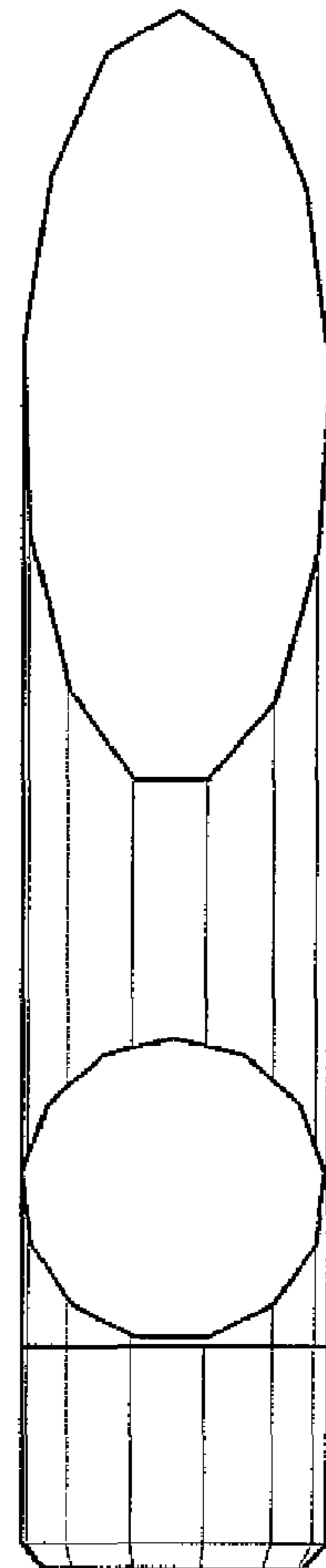


FIG. 4