



US00D617196S

(12) **United States Design Patent**  
**Weggelaar**

(10) **Patent No.:** **US D617,196 S**  
(45) **Date of Patent:** **\*\* Jun. 8, 2010**

- (54) **BOTTLE**
- (75) Inventor: **Bjorn Weggelaar**, Haarlem (NL)
- (73) Assignee: **Sara Lee Household and Body Care Nederland B.V.**, Utrecht (NL)
- (\*\*) Term: **14 Years**
- (21) Appl. No.: **29/346,963**
- (22) Filed: **Nov. 9, 2009**

**Related U.S. Application Data**

- (62) Division of application No. 29/325,321, filed on Sep. 29, 2008, now Pat. No. Des. 606,642.

**Foreign Application Priority Data**

- Apr. 2, 2008 (EM) ..... 000910310-0001
- Apr. 2, 2008 (EM) ..... 000910310-0002

- (51) **LOC (9) Cl.** ..... **09-01**
- (52) **U.S. Cl.** ..... **D9/522; D9/564; D9/575**
- (58) **Field of Classification Search** ..... D9/516, D9/522, 523, 529, 564, 574-575; D23/366; 215/382-284; 392/403; D4/114, 116  
See application file for complete search history.

**References Cited**

**U.S. PATENT DOCUMENTS**

- D105,290 S 7/1937 Lloyd
- 2,500,896 A 3/1950 Drake
- D192,980 S 6/1962 Mangini
- 3,072,285 A \* 1/1963 Aileo ..... 220/326
- D203,885 S \* 2/1966 Lykes ..... D9/522
- D222,960 S \* 2/1972 Avedon et al. .... D9/544 X
- D237,583 S 11/1975 Kemp
- D255,263 S 6/1980 Mandon et al.
- D283,128 S 3/1986 Bate
- D289,498 S \* 4/1987 Simonetti et al. .... D9/529 X
- D289,855 S 5/1987 Carlson
- D290,225 S 6/1987 Carlson
- D292,266 S 10/1987 Vanlanen et al.
- D297,166 S 8/1988 Hollar et al.

- D298,991 S 12/1988 Stanley
- D301,546 S 6/1989 McCallister
- D304,014 S \* 10/1989 O'Connell ..... D9/522
- D307,111 S 4/1990 Green
- D308,163 S 5/1990 Hollar et al.
- D317,717 S 6/1991 Carol
- D326,606 S 6/1992 Green
- D327,639 S 7/1992 Burnsed
- D355,249 S 2/1995 Caruso
- D356,494 S 3/1995 Eke et al.
- D369,100 S \* 4/1996 Johnson ..... D9/640
- D399,131 S 10/1998 Eichler
- D413,748 S 9/1999 Lagrotta
- D420,576 S 2/2000 Abraskin
- D427,075 S \* 6/2000 Gavin ..... D9/522
- D431,190 S \* 9/2000 Adachi et al. .... D9/564 X
- D435,895 S 1/2001 Davis

(Continued)

*Primary Examiner*—Carol Rademaker  
(74) *Attorney, Agent, or Firm*—Foley & Lardner LLP

(57) **CLAIM**

We claim the ornamental design for a bottle, as shown and described.

**DESCRIPTION**

FIG. 1 is a top, front, and right side perspective view of a the claimed design for a bottle;

FIG. 2 top, rear, and left side perspective view;

FIG. 3 is a front elevational view thereof;

FIG. 4 is a rear elevational view thereof;

FIG. 5 is a right side elevational view thereof;

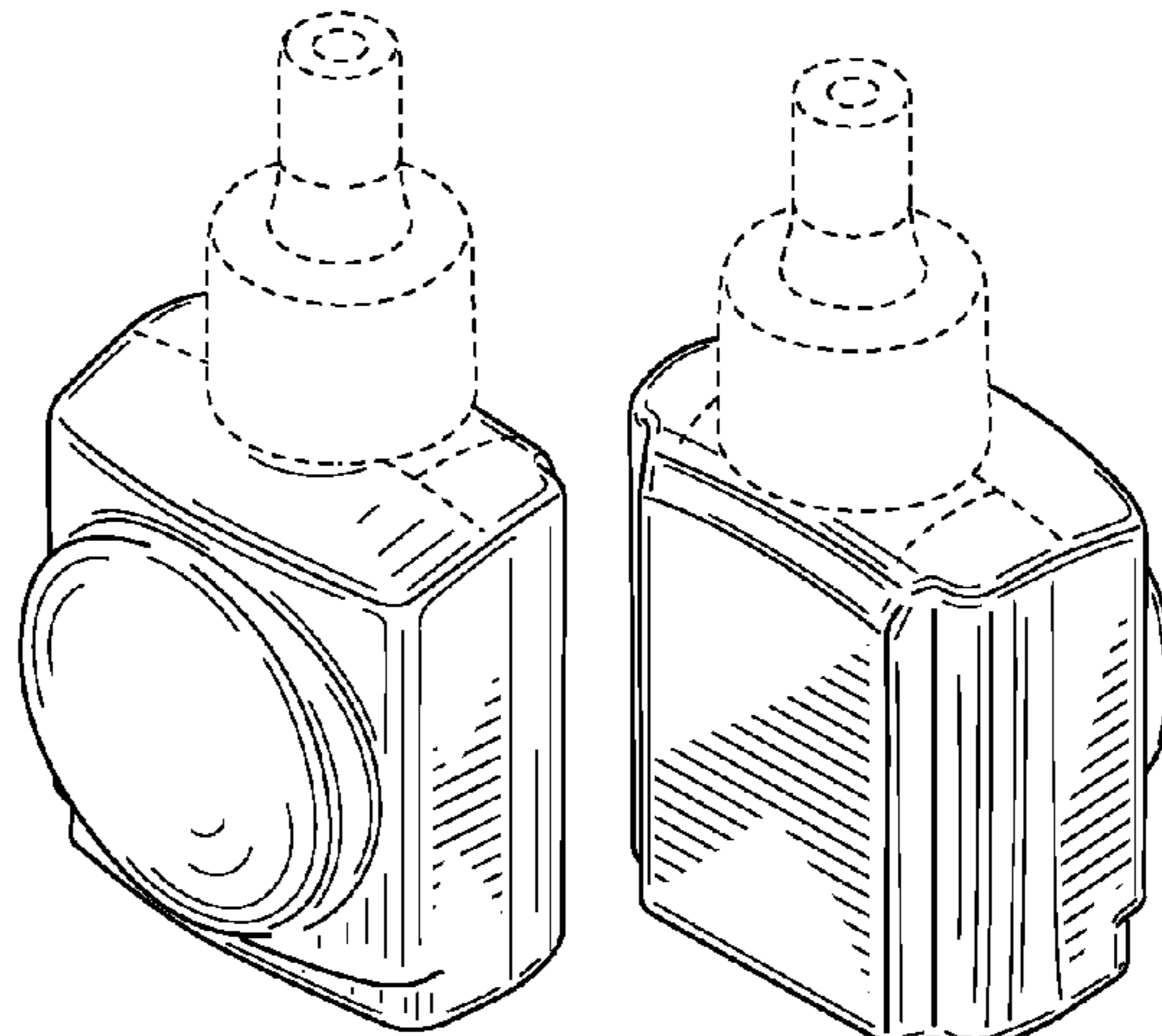
FIG. 6 is a left side elevational view thereof;

FIG. 7 is a top plan view thereof; and,

FIG. 8 is a bottom plan view thereof.

The broken lines shown in the drawing views are included for the purpose of showing environmental structure that forms no part of the claimed design.

**1 Claim, 8 Drawing Sheets**



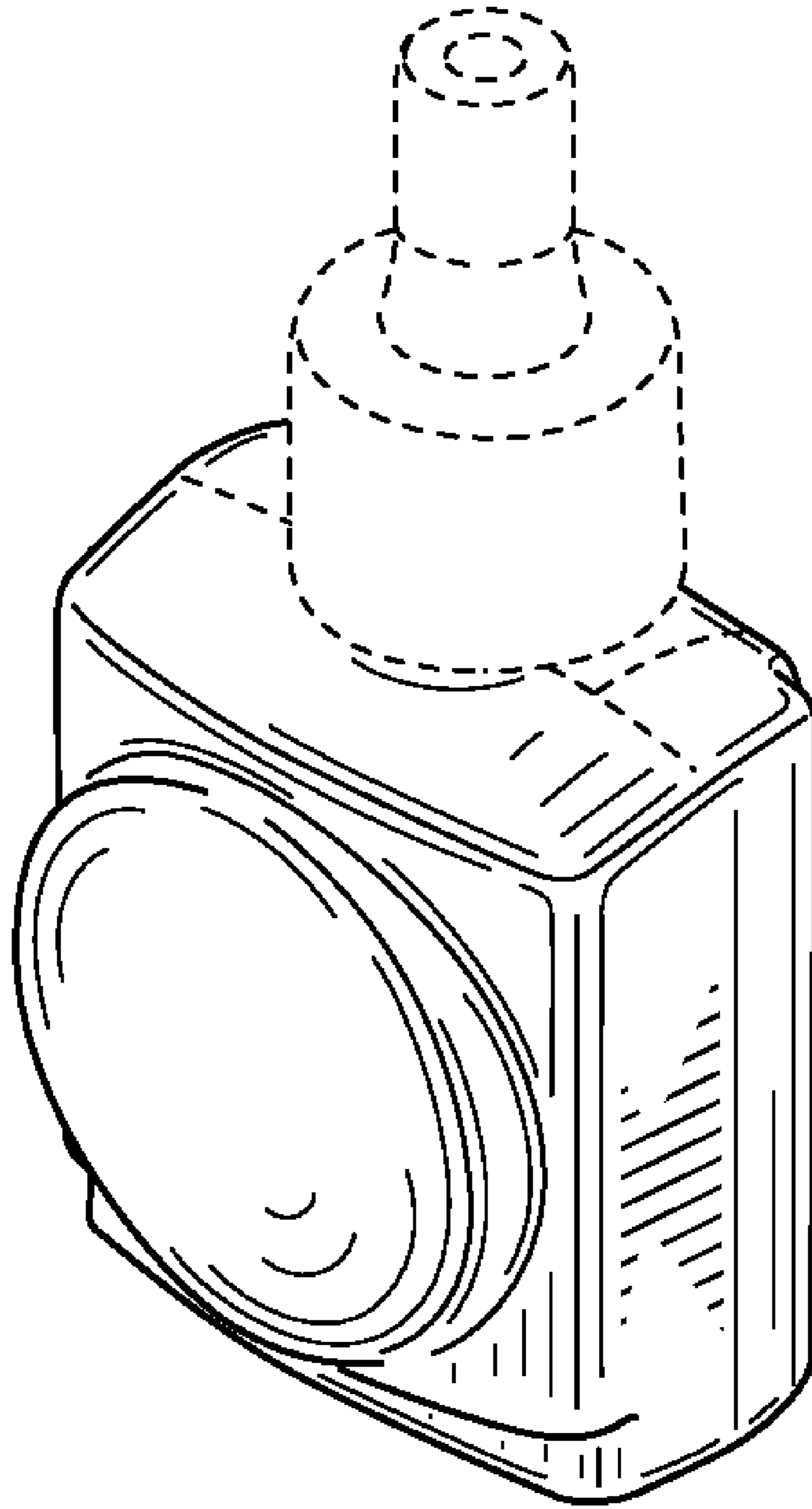
# US D617,196 S

Page 2

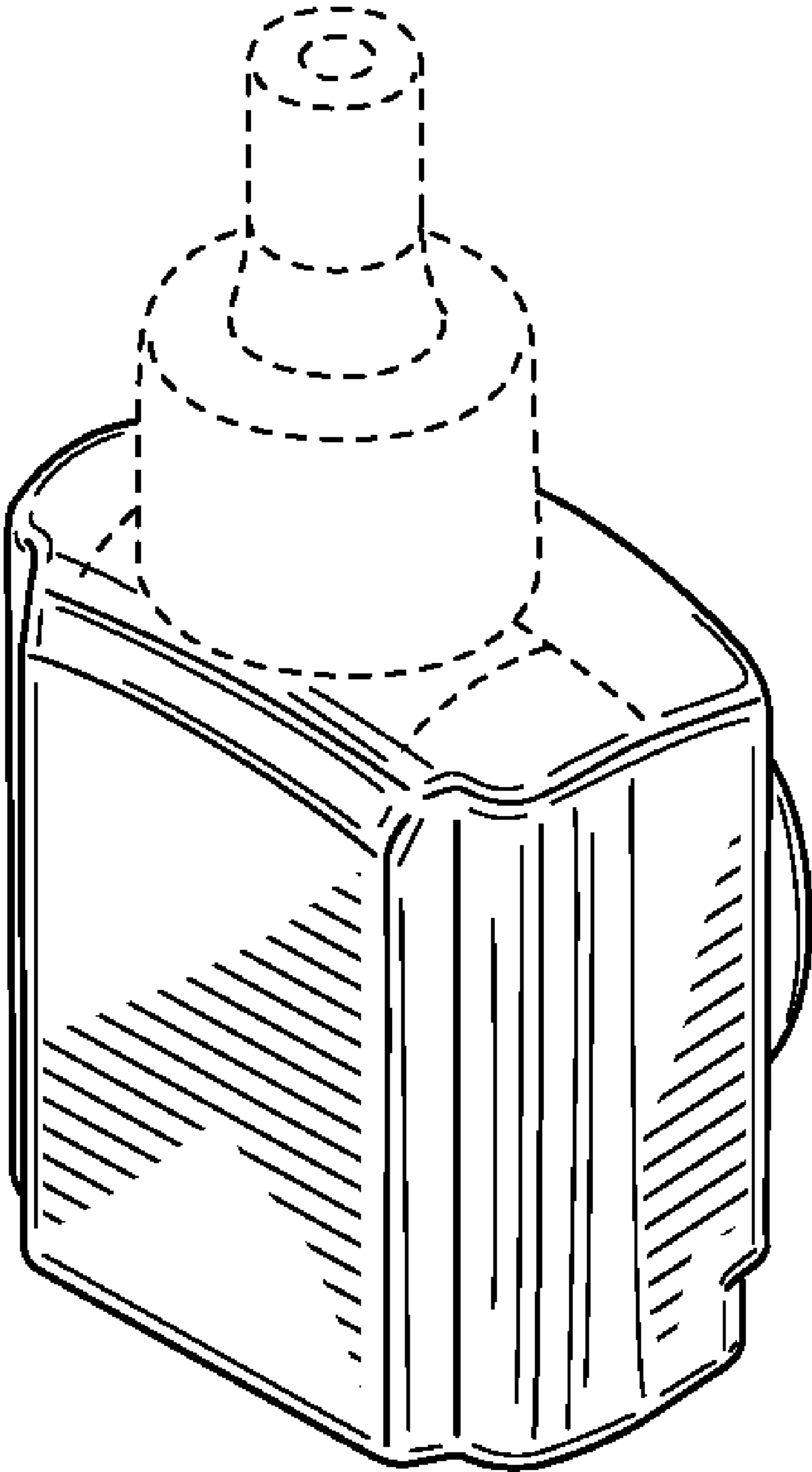
## U.S. PATENT DOCUMENTS

D449,099 S	10/2001	Juhlin et al.	
D476,895 S *	7/2003	Fellows et al. ....	D9/516
D479,591 S	9/2003	Brown et al.	
D479,804 S *	9/2003	Wolpert et al. ....	D9/574
D480,316 S *	10/2003	Wolpert et al. ....	D9/574
D484,228 S	12/2003	Zhang et al.	
6,659,301 B2 *	12/2003	Fellows et al. ....	215/382 X
D495,409 S	8/2004	Ke	
D503,621 S *	4/2005	Heater .....	D9/575 X
D505,080 S *	5/2005	Cagle .....	D9/575 X
D505,330 S *	5/2005	Wolpert .....	D23/366 X
D518,730 S *	4/2006	Caserta et al. ....	D23/366 X
D522,640 S	6/2006	Miro	
D529,162 S	9/2006	Bulsink	
D536,980 S *	2/2007	Smith et al. ....	D9/564 X
D537,354 S *	2/2007	Caserta et al. ....	D9/543
D541,160 S	4/2007	Cortes	
D541,400 S	4/2007	Heijdenrijk	
D550,345 S	9/2007	Weggelaar	
D554,532 S	11/2007	Weggelaar	
D556,582 S	12/2007	Heijdenrijk	
D565,164 S	3/2008	Duston et al.	
D569,959 S	5/2008	Gasper et al.	
D572,812 S	7/2008	Schultz et al.	
D585,537 S	1/2009	Weggelaar	
D590,578 S	4/2009	Hill	
D604,619 S *	11/2009	Poves et al. ....	D9/522
D605,954 S	12/2009	Weggelaar	
D606,884 S	12/2009	Weggelaar	

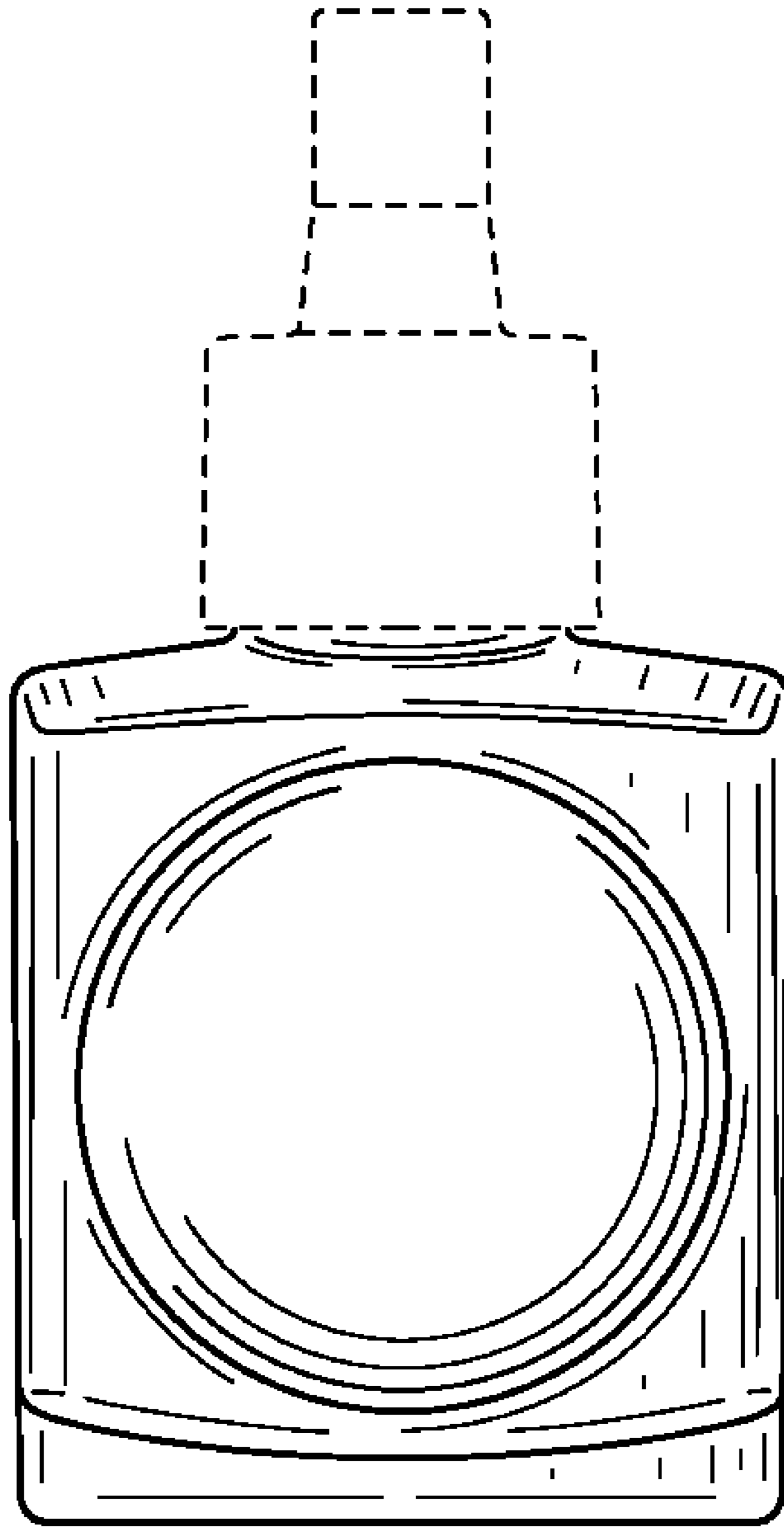
\* cited by examiner



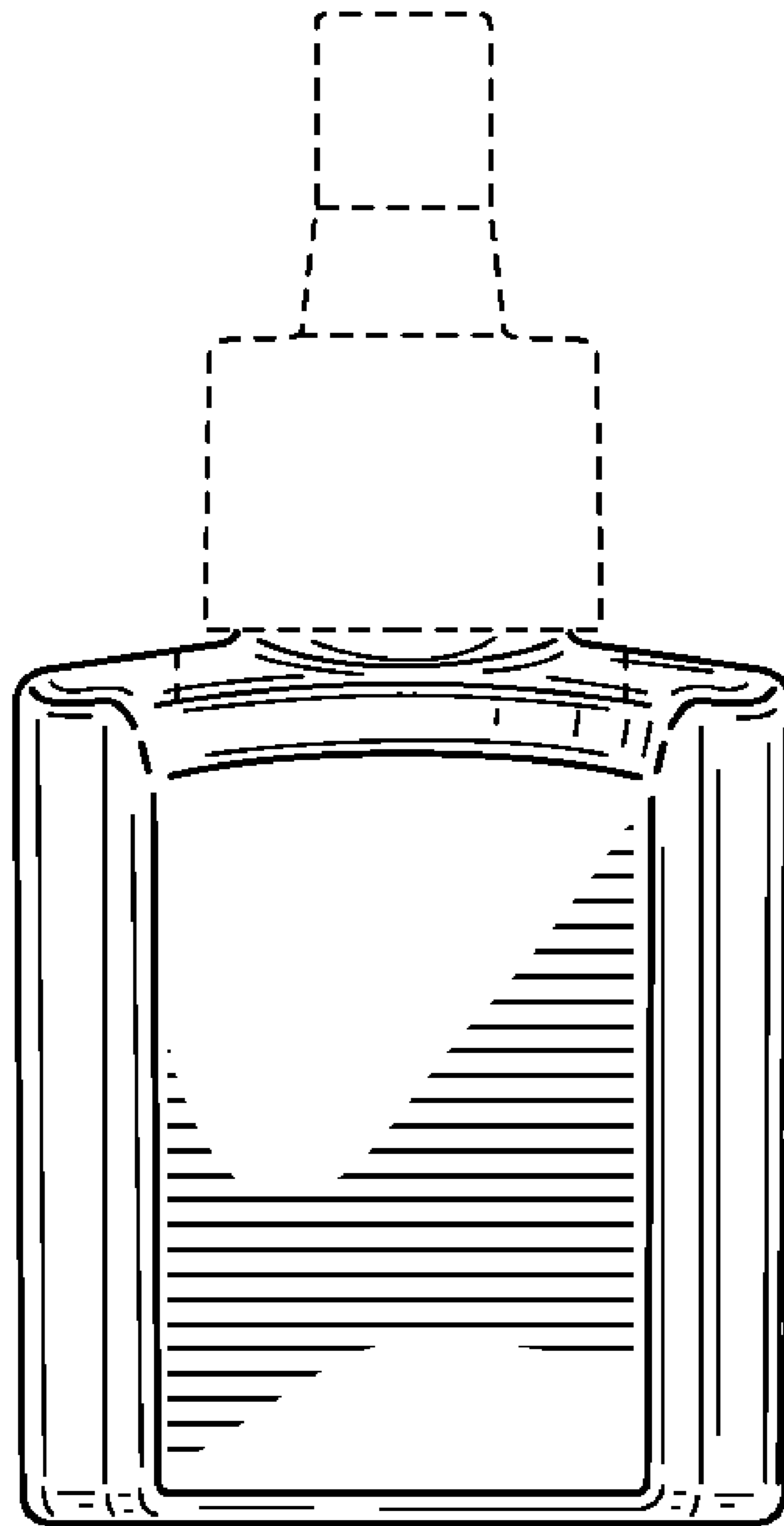
**FIG. 1**



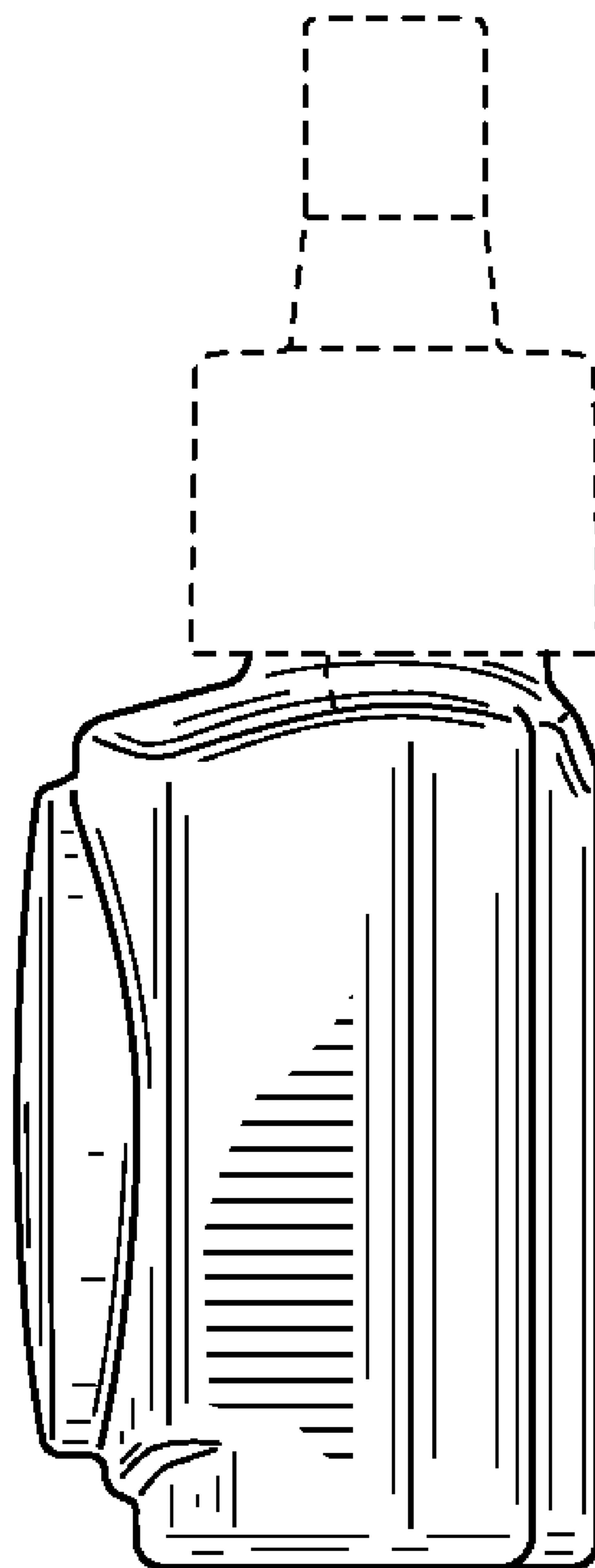
**FIG. 2**



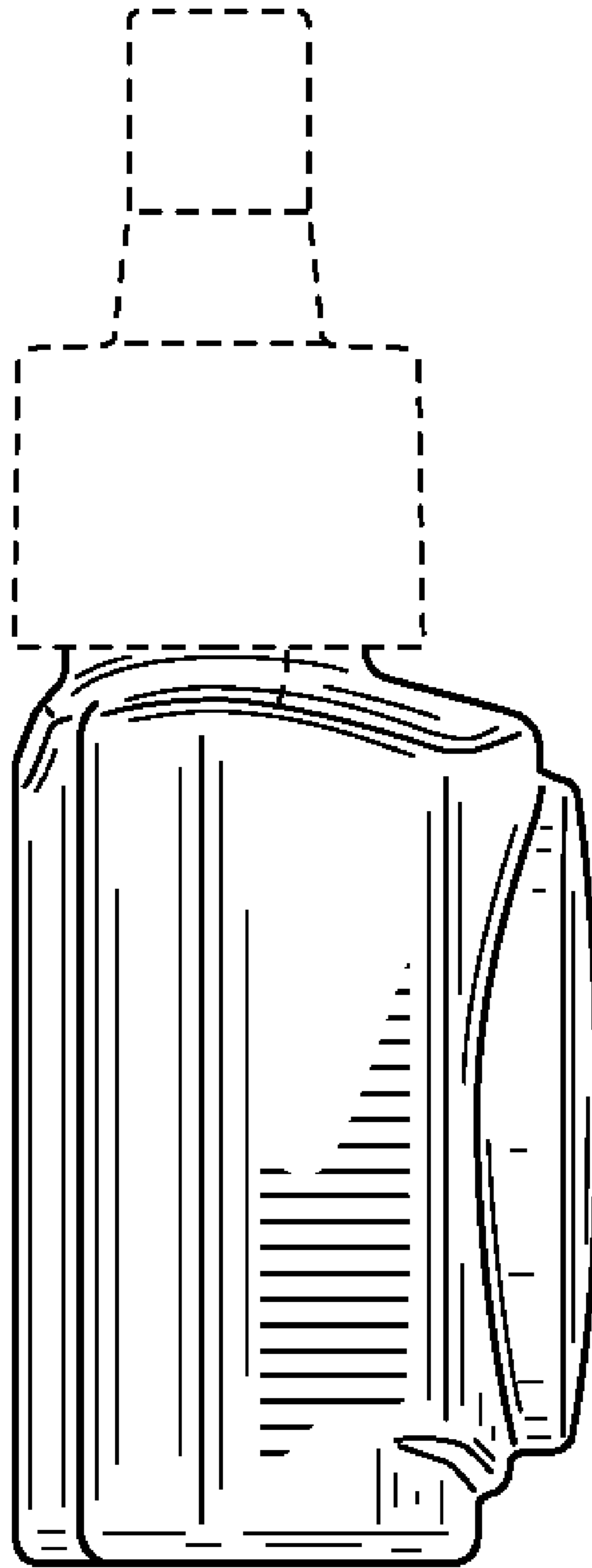
**FIG. 3**



**FIG. 4**

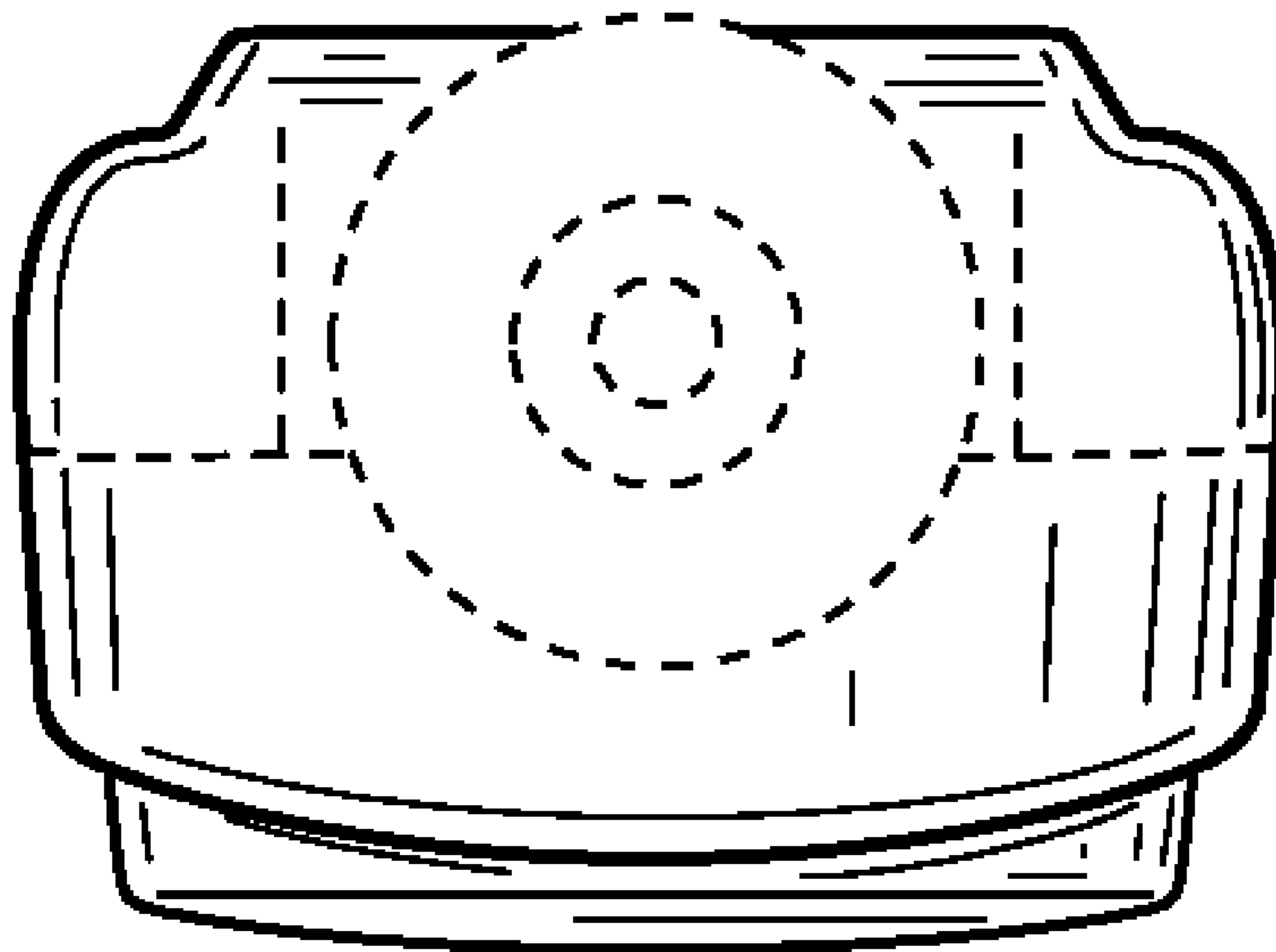


**FIG. 5**

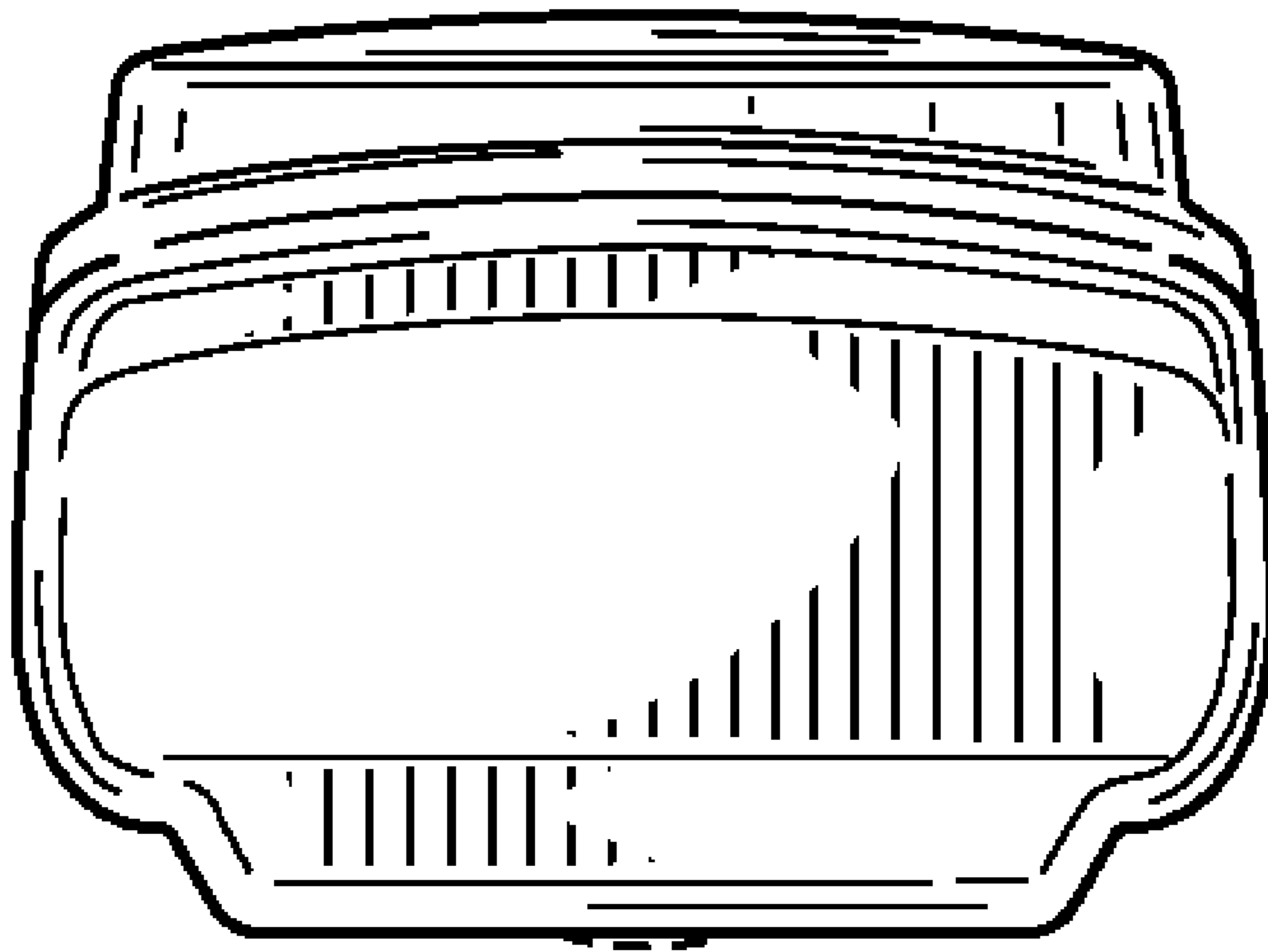


**FIG. 6**





**FIG. 7**



**FIG. 8**