



US00D617188S

(12) **United States Design Patent**
Sturk

(10) **Patent No.:** **US D617,188 S**
(45) **Date of Patent:** **** Jun. 8, 2010**

(54) **TAMPER EVIDENT PLASTIC PAIL CLOSURE**

Primary Examiner—Susan Bennett Hattan

(76) Inventor: **Ronald Sturk**, 38 Lorne Avenue,
Brampton, Ontario (CA) L6X 1L1

(57) **CLAIM**

(**) Term: **14 Years**

An ornamental design for a “tamper evident plastic pail closure,” as shown and described.

(21) Appl. No.: **29/339,668**

(22) Filed: **Jul. 6, 2009**

DESCRIPTION

(51) **LOC (9) Cl.** **09-07**

(52) **U.S. Cl.** **D9/443; D9/447**

(58) **Field of Classification Search** D9/454,
D9/450, 449, 447, 446, 443, 438, 436, 435,
D9/434; D7/510, 396.2, 391; 222/565, 556,
222/109, 498, 153.01–153.14; 221/63; 220/847,
220/838, 375, 367.1, 258.2, 257.1, 254.1–254.4;
215/306, 256, 249, 243, 237, 235, 230; 16/257
See application file for complete search history.

FIG. 1 is a front perspective view of a tamper evident plastic pail closure, the broken lines in the drawing depicting environment only and forming no part of the claimed design.

FIG. 2 is a reduced scale view thereof, shown in a typical pail lid.

FIG. 3 is a side view of the closure of FIG. 1.

FIG. 4 is a partial cross-sectional view thereof, shown in the direction of line 4—4 in FIG. 2.

FIG. 5 is a top view of the closure of FIG. 1.

FIG. 6 is a bottom view thereof.

FIG. 7 is a partial cross-sectional view thereof, shown in the direction of line 4—4, wherein the closure is attached to a typical pail.

FIG. 8 is a side view thereof, shown in the direction of line 4—4, showing the closure cap handles lifted and the pail closure body extended; and,

FIG. 9 is an exploded partial cross-sectional view thereof, shown in the direction of line 4—4 showing the pail closure cap with handle lifted, pail closure body extended, pail closure cap unthreaded from the pail body closure, and pail closure internal seal removed.

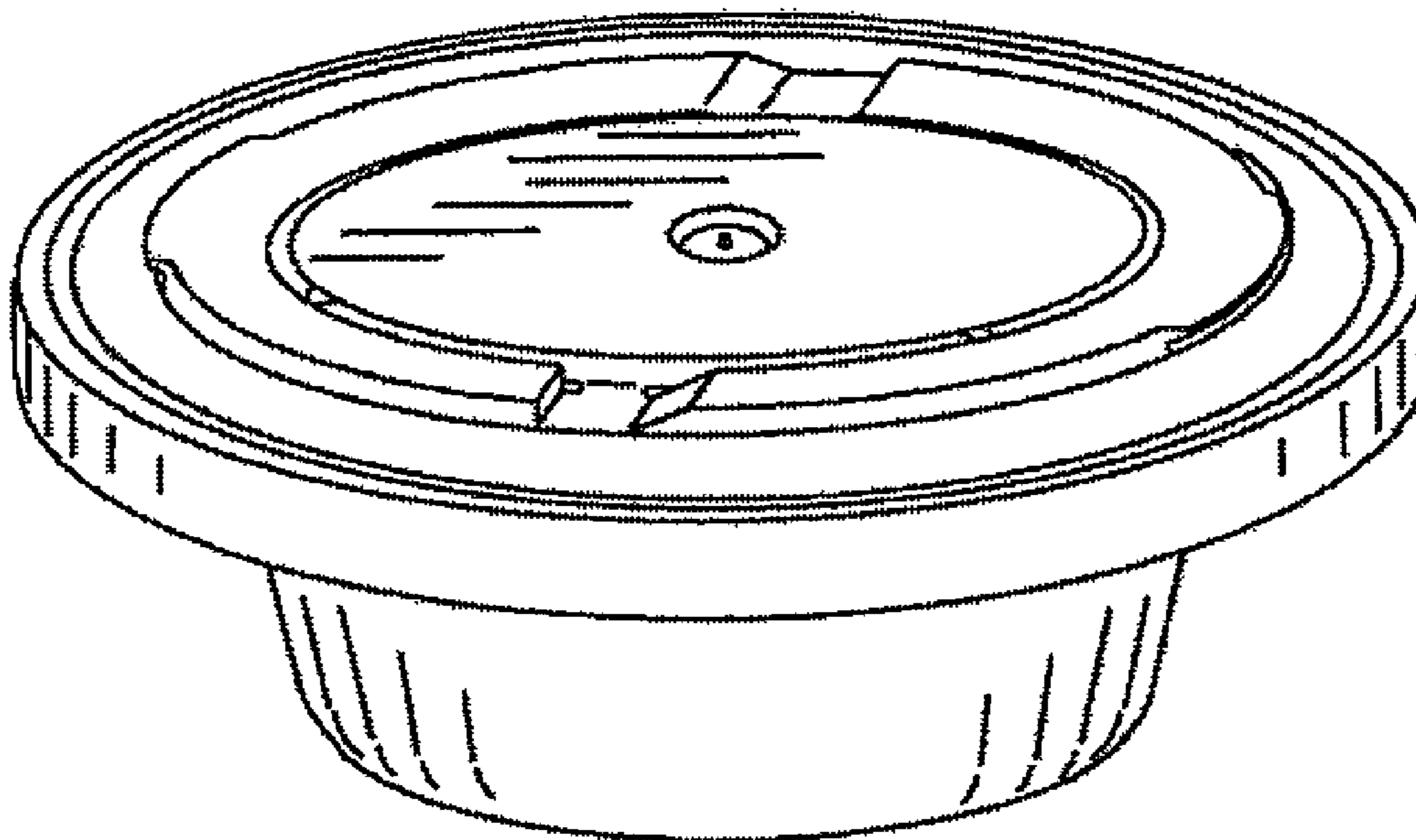
(56) **References Cited**

U.S. PATENT DOCUMENTS

2,764,199	A *	9/1956	Tupper	220/254.3
2,935,223	A *	5/1960	Crowley	220/761
D359,905	S *	7/1995	Molo	D9/447
5,678,735	A *	10/1997	Guglielmini	222/153.06
5,950,876	A *	9/1999	McLelland et al.	222/153.06
D511,457	S *	11/2005	Biesecker et al.	D9/443
D564,878	S *	3/2008	Baughman et al.	D9/454
D567,081	S *	4/2008	Baughman et al.	D9/434
2007/0284398	A1 *	12/2007	Baughman et al.	222/529
2007/0284399	A1 *	12/2007	Baughman et al.	222/529
2009/0212079	A1 *	8/2009	Baughman et al.	222/529

* cited by examiner

1 Claim, 5 Drawing Sheets



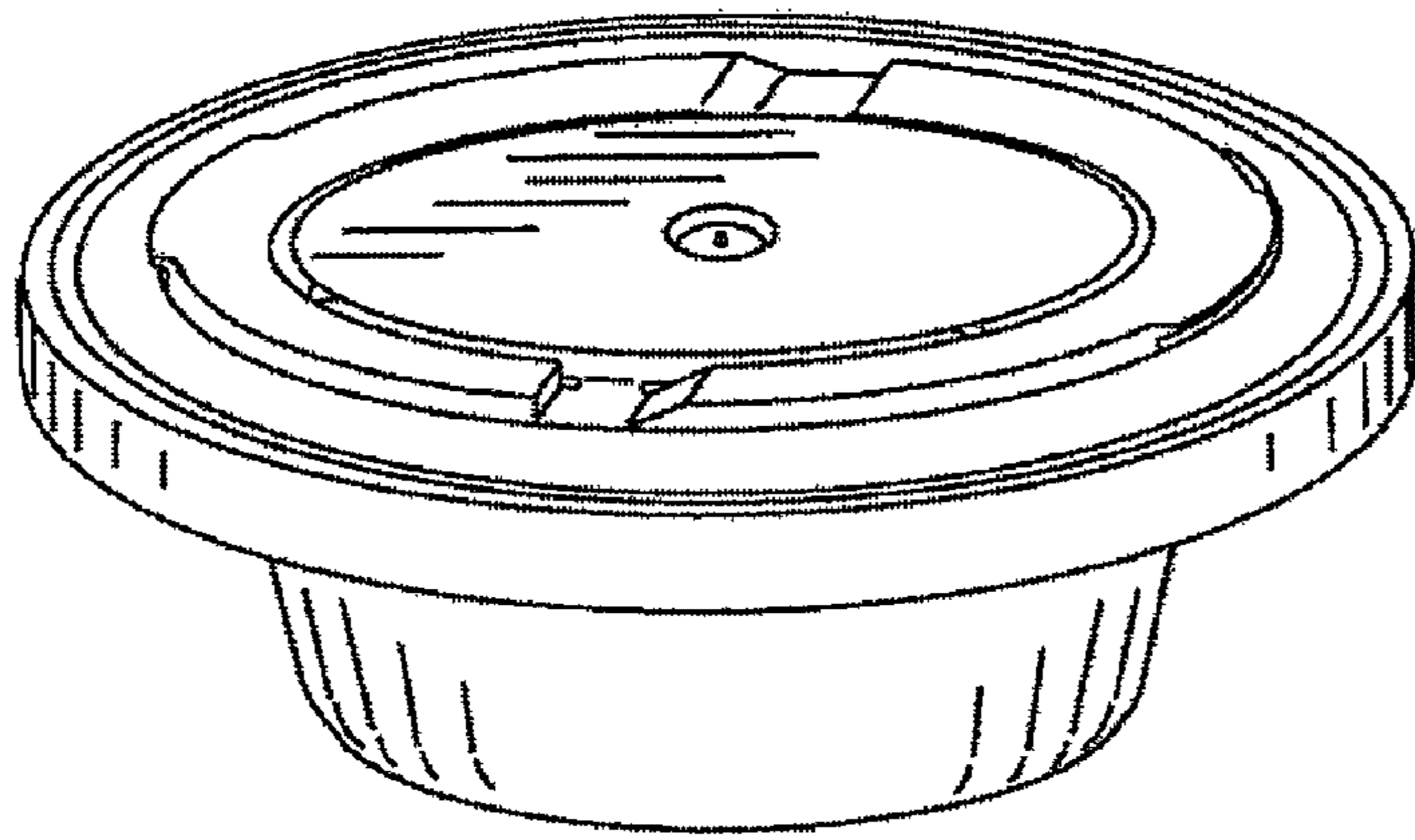


FIGURE 1

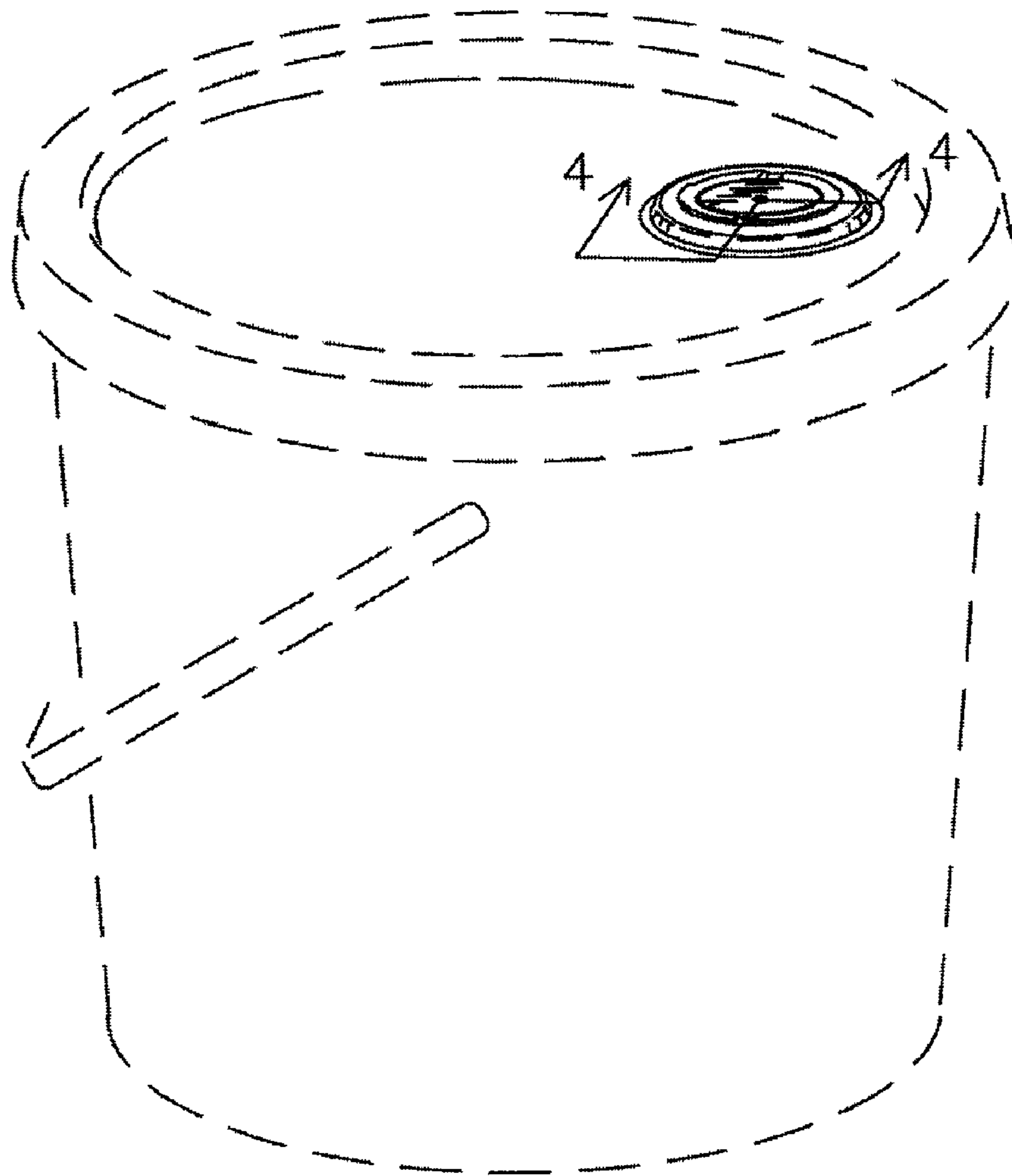


FIGURE 2

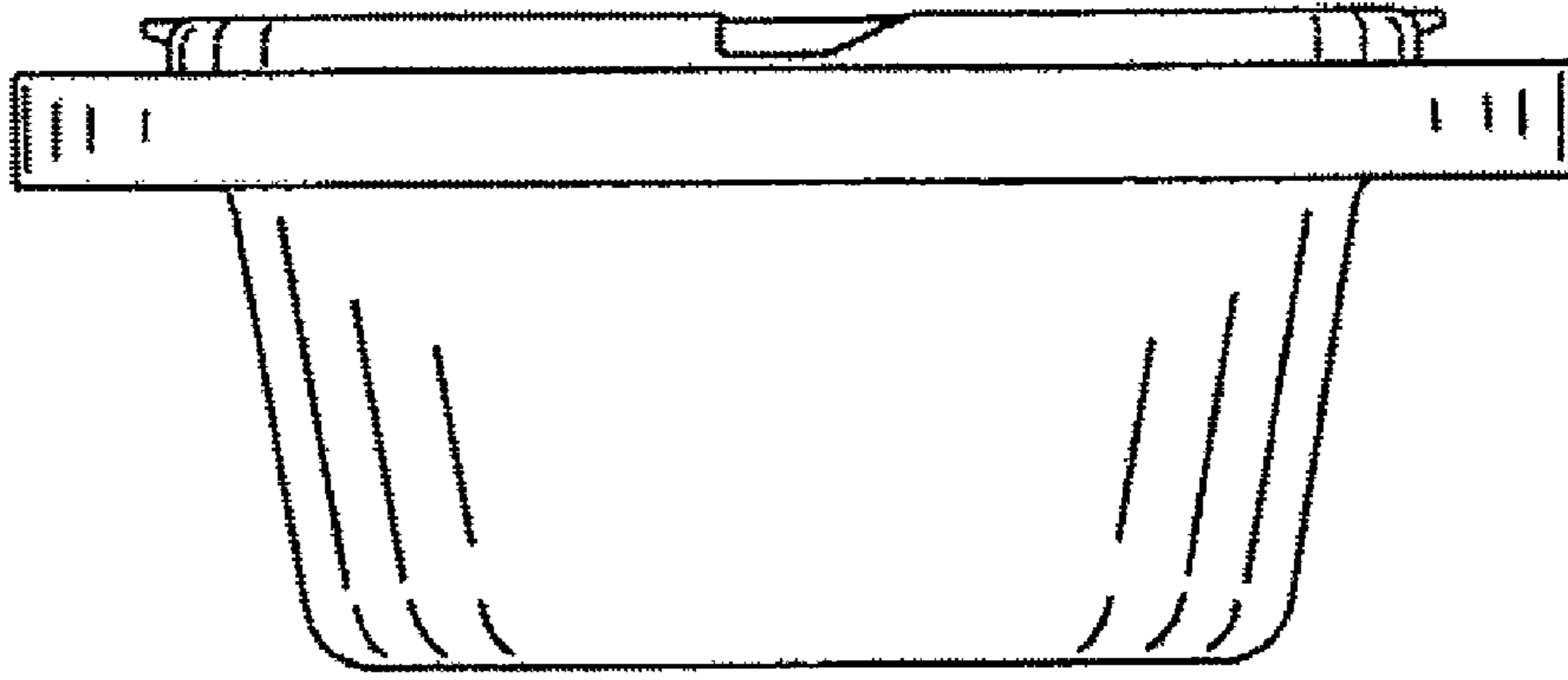


FIGURE 3

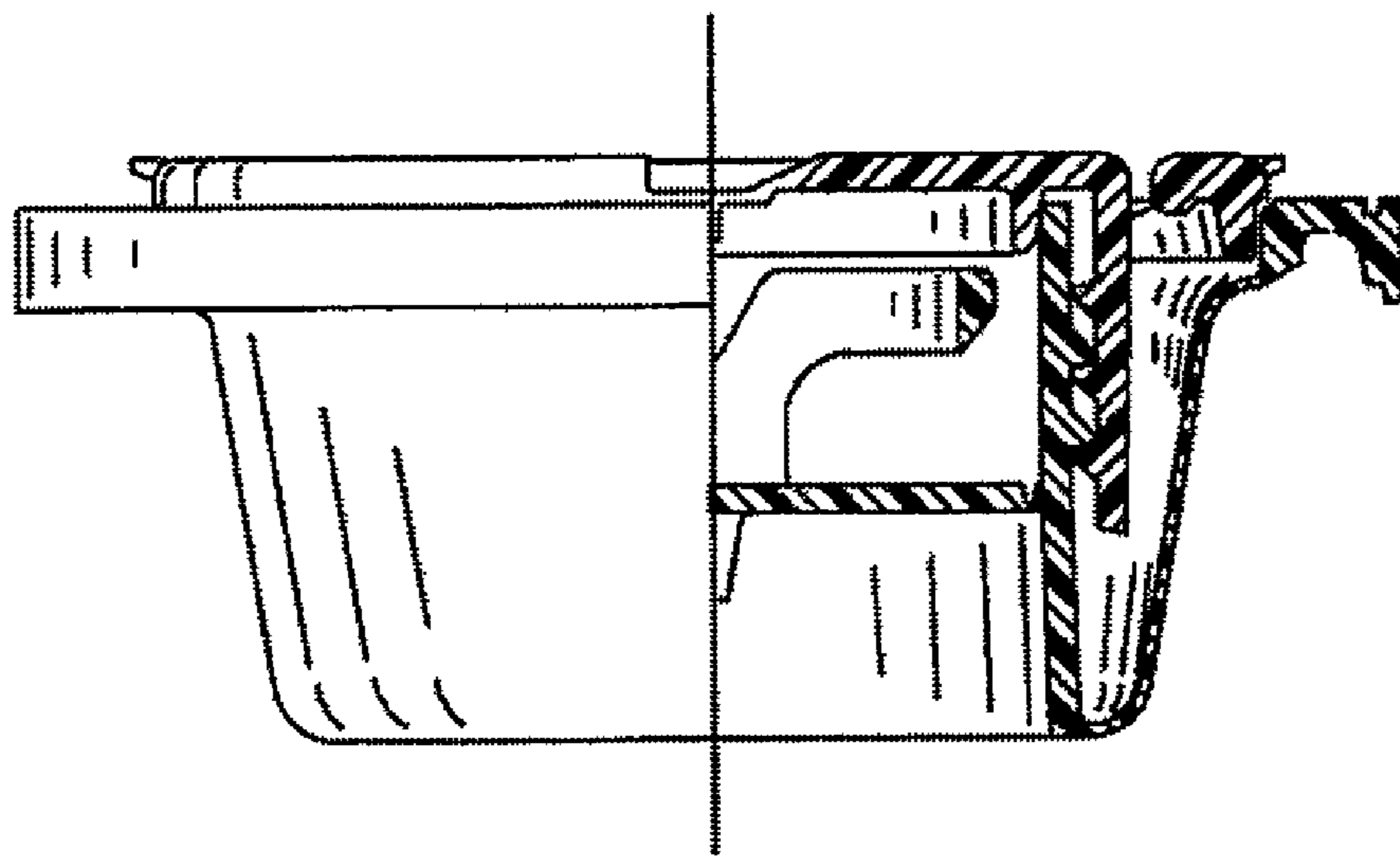


FIGURE 4

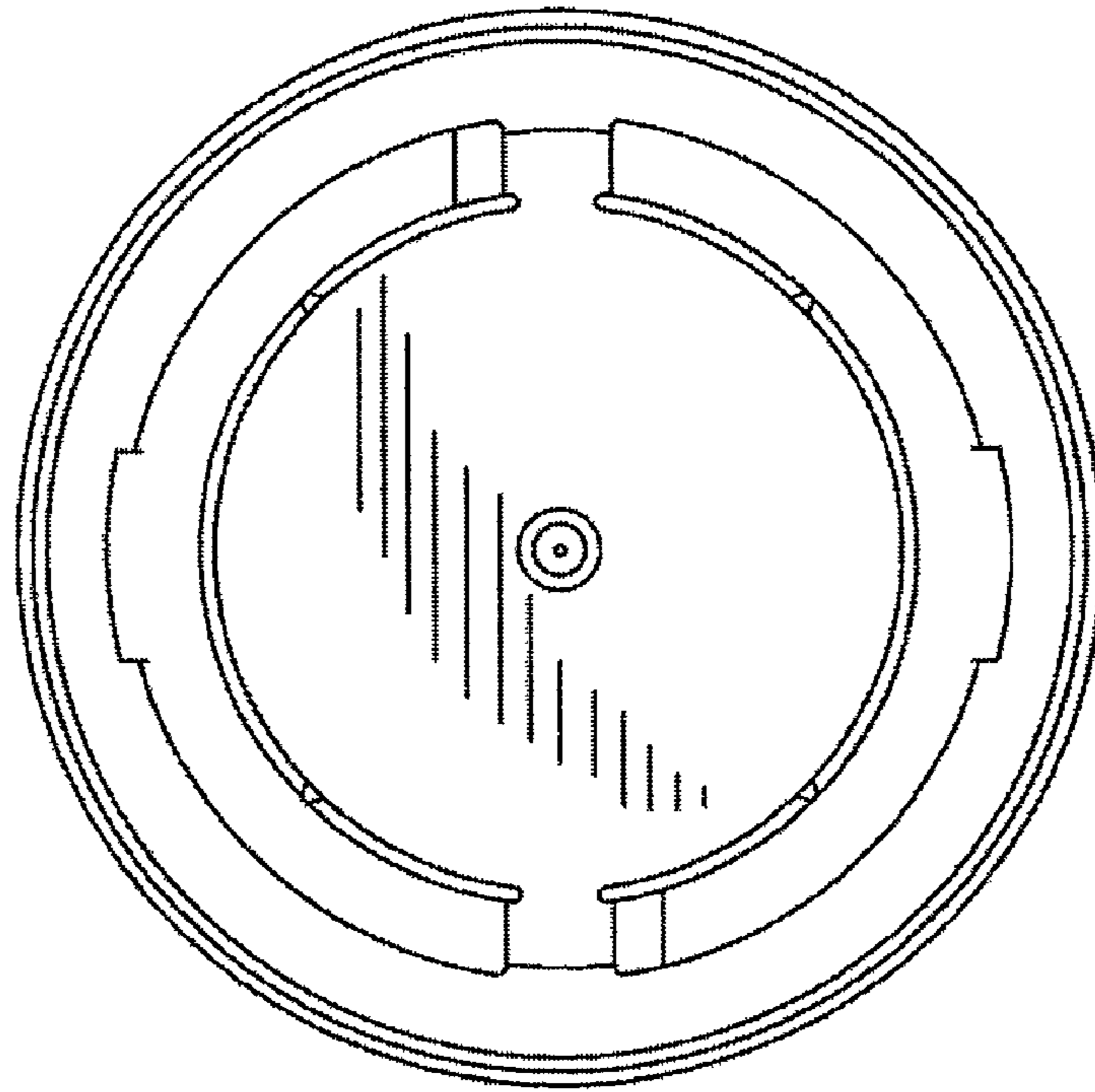


FIGURE 5

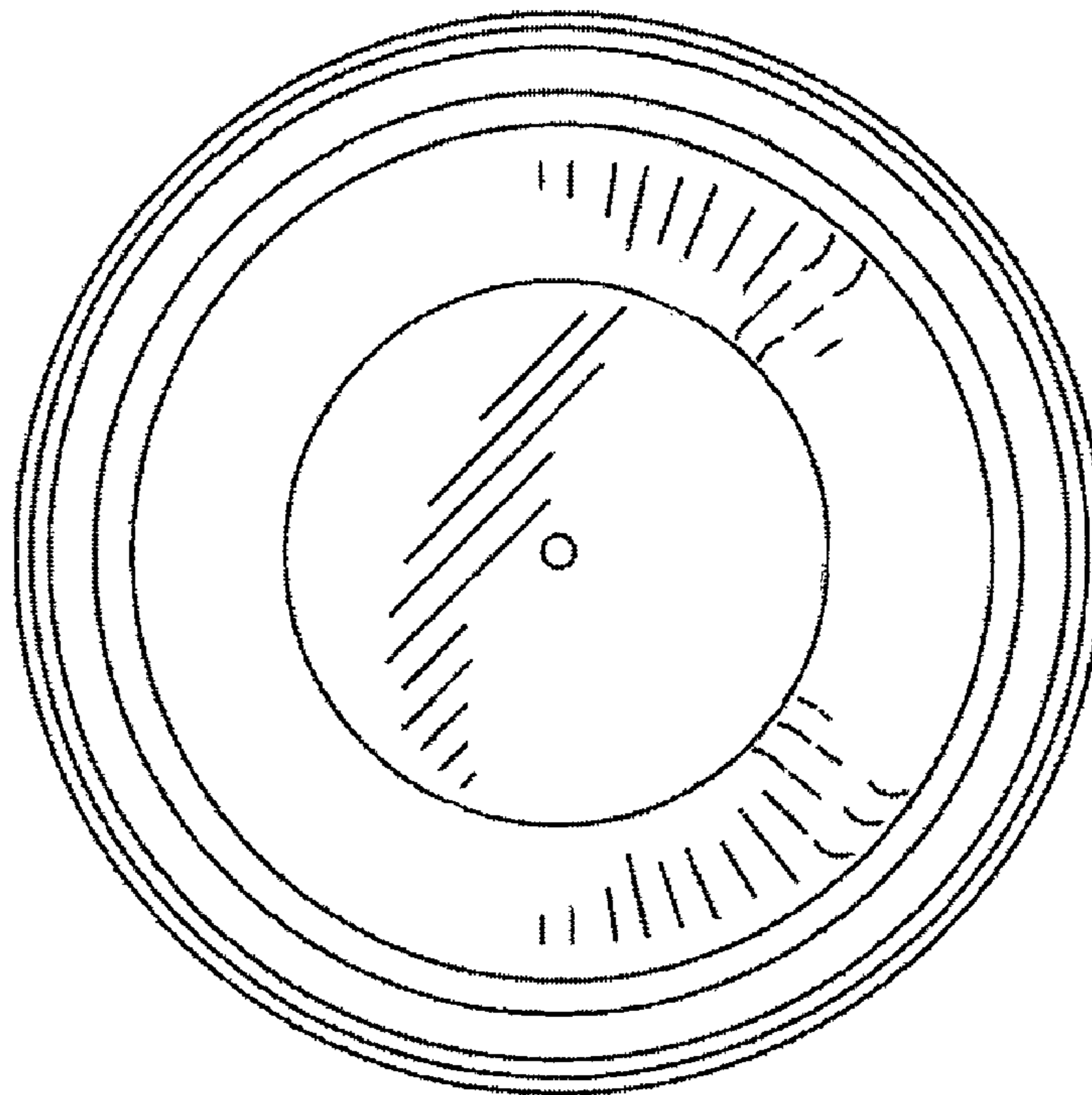


FIGURE 6

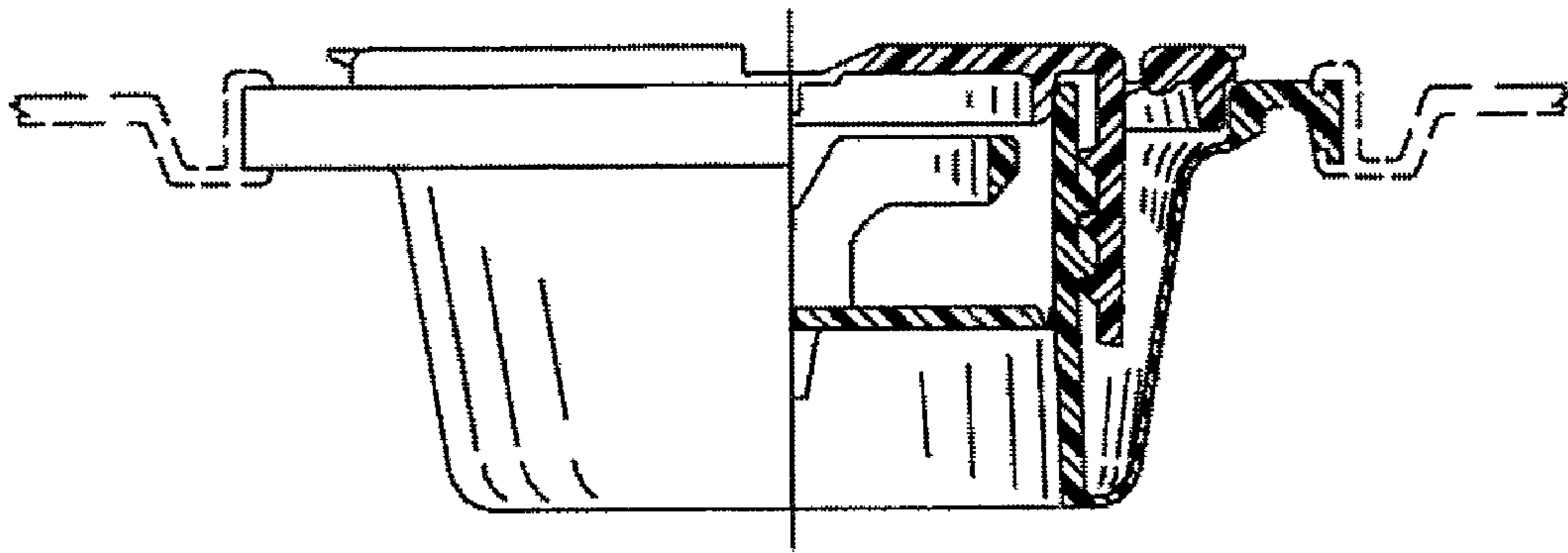


FIGURE 7

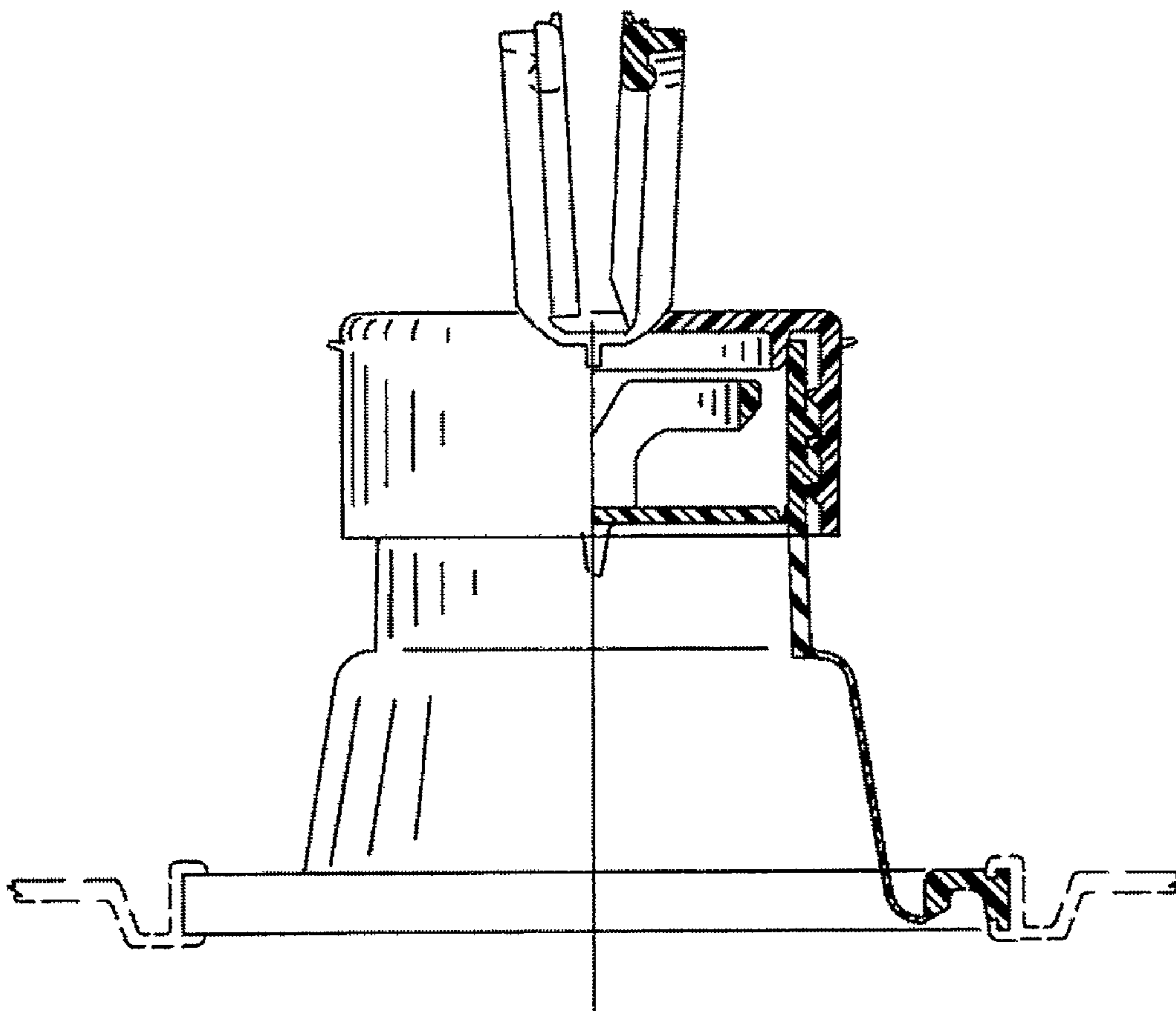


FIGURE 8

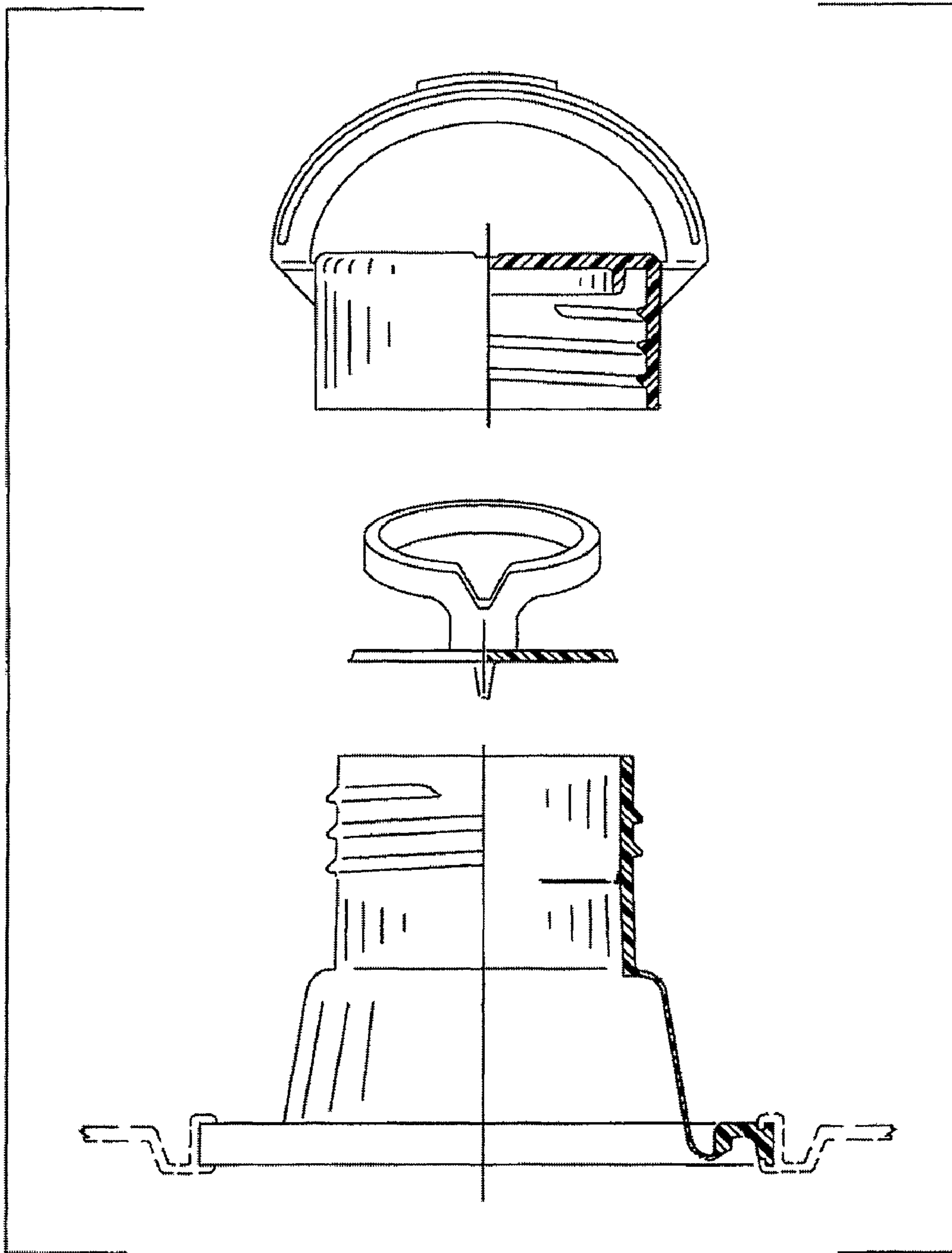


FIGURE 9