



US00D617187S

(12) **United States Design Patent**
Murray

(10) **Patent No.:** **US D617,187 S**
(45) **Date of Patent:** **** Jun. 8, 2010**

(54) **CAP FOR A POUCH**

(75) Inventor: **R. Charles Murray**, Lakewood Ranch,
FL (US)

(73) Assignee: **Pouch Pac Innovations, LLC**, Sarasota,
FL (US)

(**) Term: **14 Years**

(21) Appl. No.: **29/336,767**

(22) Filed: **May 8, 2009**

(51) **LOC (9) Cl.** **09-07**

(52) **U.S. Cl.** **D9/435; D9/452**

(58) **Field of Classification Search** D9/708,
D9/709, 705, 629, 454, 453, 452, 451, 447,
D9/445, 443, 439, 438, 435; D7/571, 567,
D7/354; D24/224, 197; 222/566, 525; 220/288;
215/329, 328, 256, 252, 238, 222; 116/308
See application file for complete search history.

(56) **References Cited**

U.S. PATENT DOCUMENTS

D209,788 S *	1/1968	Cheladze	D9/452
D337,272 S *	7/1993	Joo	D9/529
D345,918 S *	4/1994	Chevassus	D9/529
D457,433 S *	5/2002	Costanzo et al.	D9/454
D467,501 S *	12/2002	Tacchella	D9/451

D530,199 S *	10/2006	Kitamura et al.	D9/444
D546,179 S *	7/2007	Kunesh et al.	D9/445
D547,657 S *	7/2007	Tacchella	D9/454
D563,785 S *	3/2008	Maki et al.	D9/454
D588,870 S *	3/2009	Rasmussen	D7/398
2009/0049806 A1 *	2/2009	Peacop et al.	53/556

* cited by examiner

Primary Examiner—Susan Bennett Hattan

(74) *Attorney, Agent, or Firm*—Gifford, Krass, Sprinkle,
Anderson & Citkowski, P.C.

(57) **CLAIM**

The ornamental design for a cap for a pouch, as shown and described.

DESCRIPTION

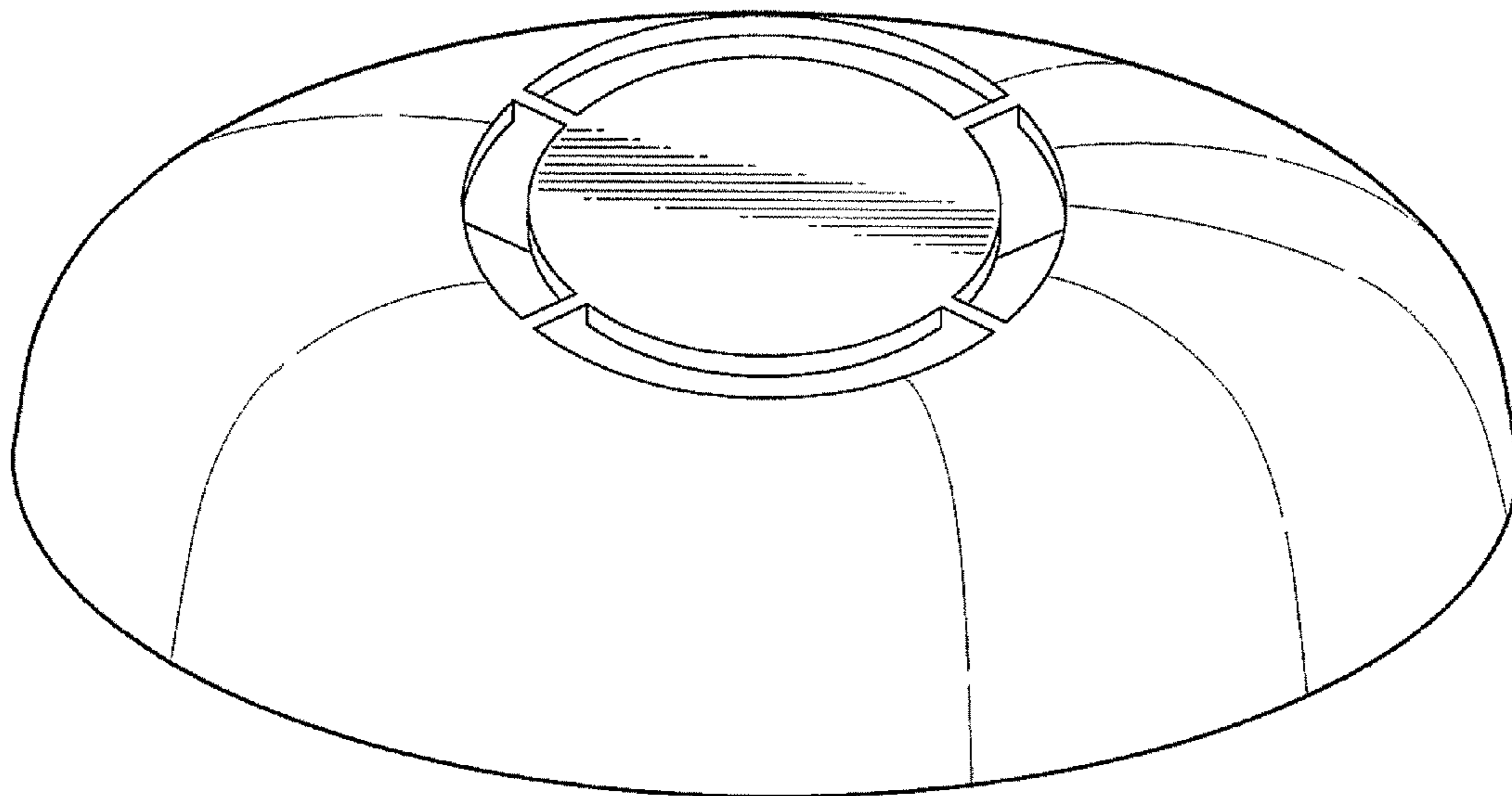
FIG. 1 is a perspective view of the top of the cap for a pouch;
FIG. 2 is a perspective view of the bottom of the cap for a
pouch;

FIG. 3 is an elevational view of the bottom of the cap for a
pouch;

FIG. 4 is an elevational view of the top of the cap for a pouch;
FIG. 5 is an elevational view of the front of the cap for a
pouch; and,

FIG. 6 is an elevational view of the side of the cap for a pouch.

1 Claim, 3 Drawing Sheets



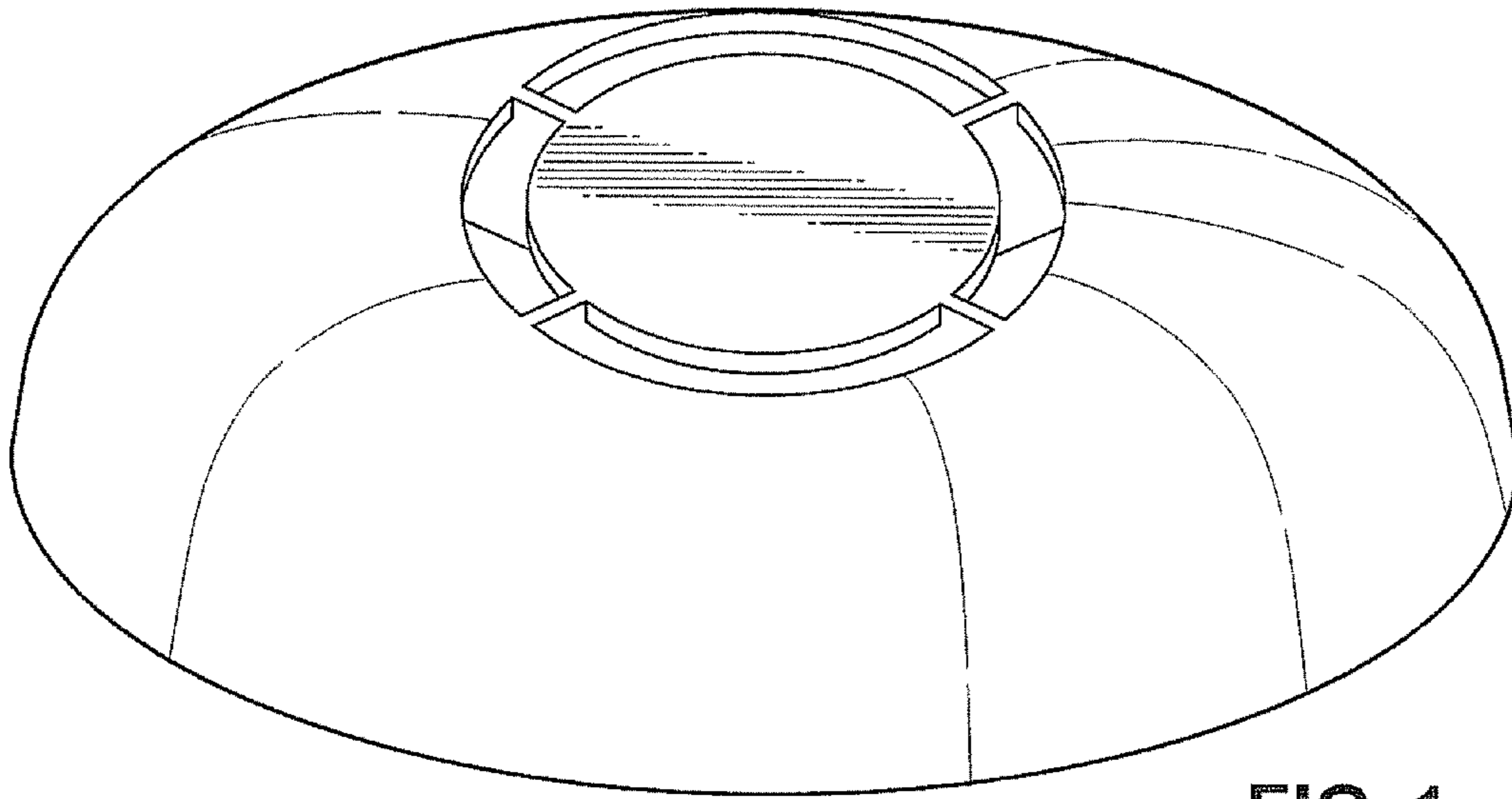


FIG. 1

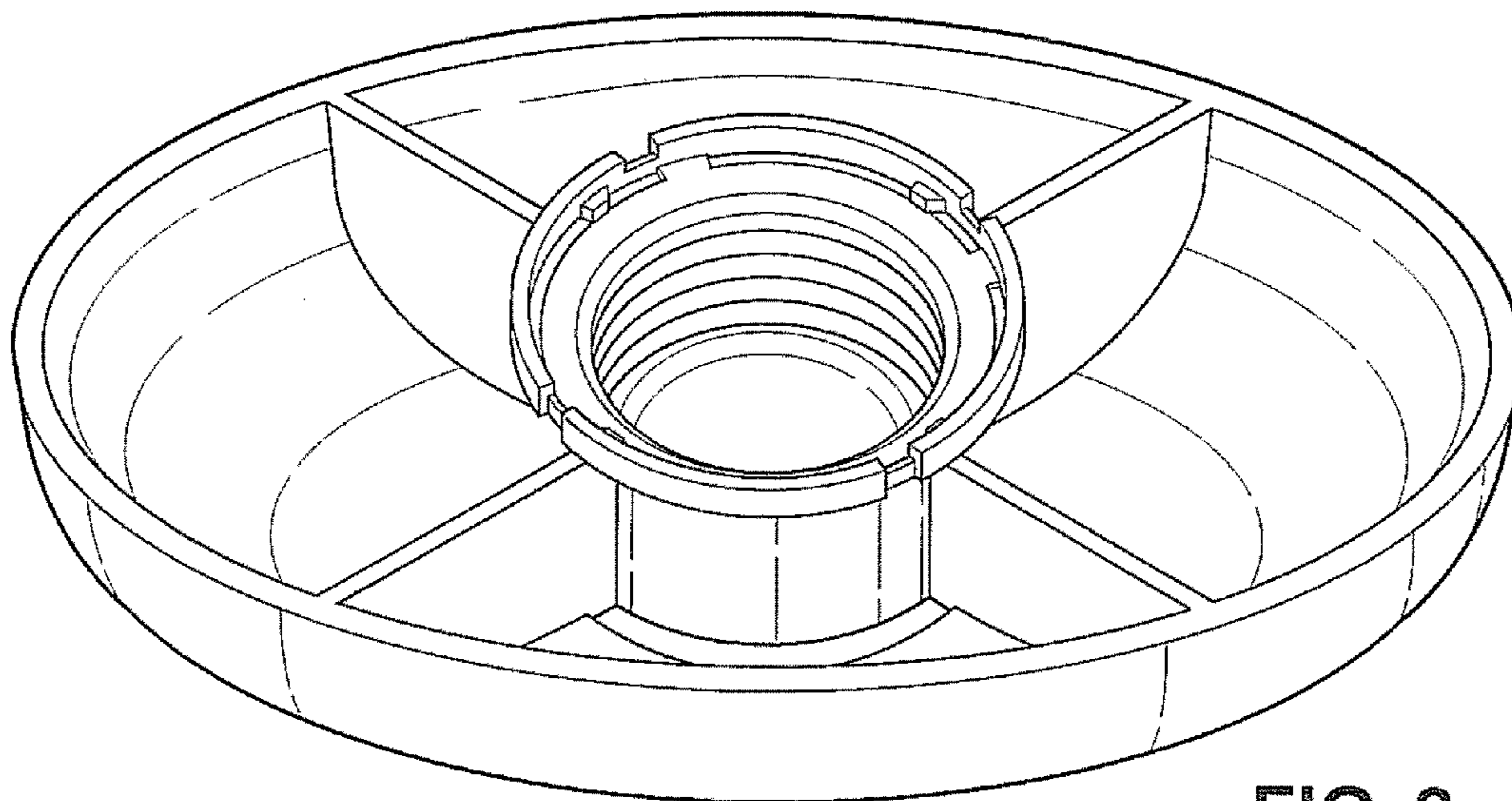


FIG. 2

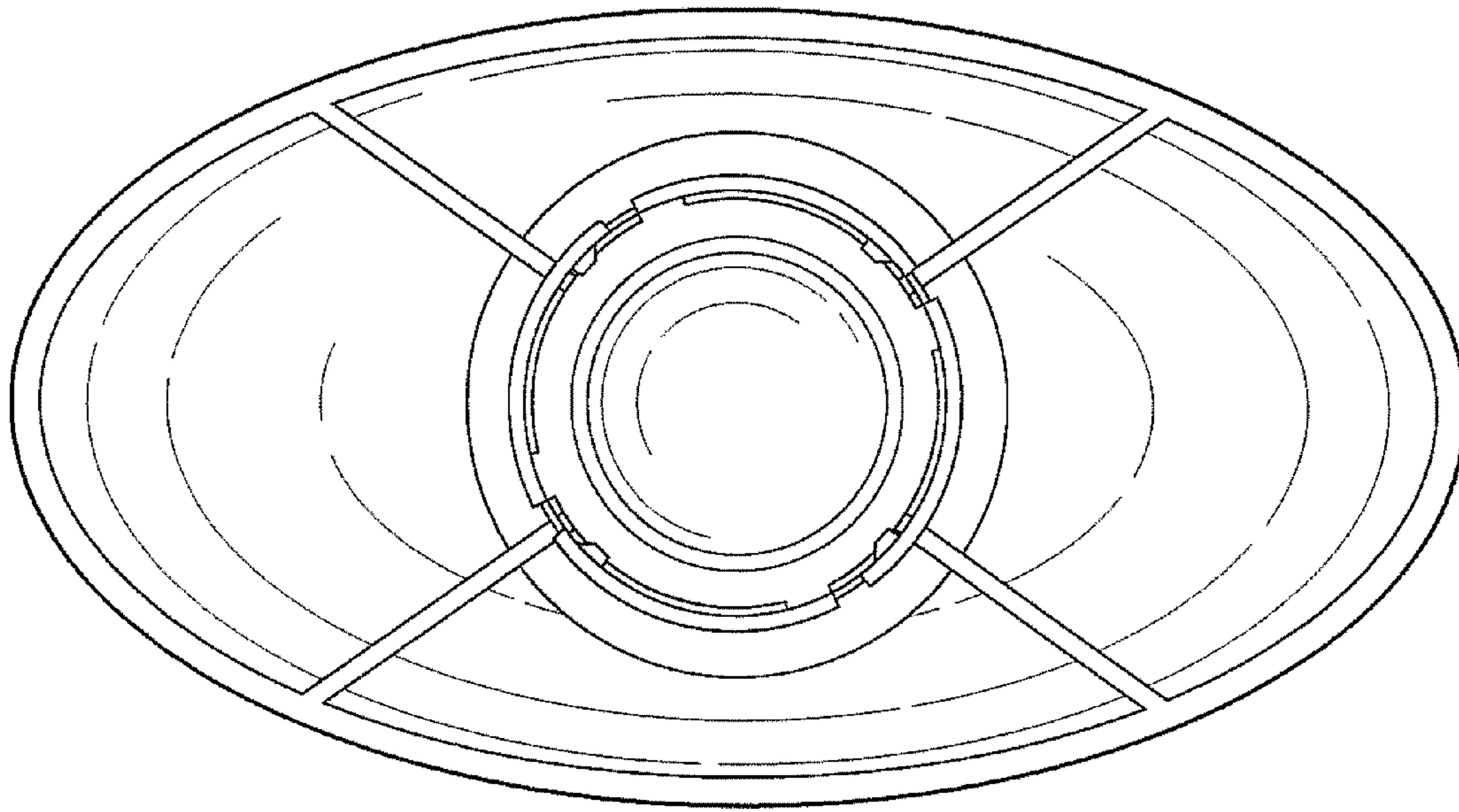


FIG. 3

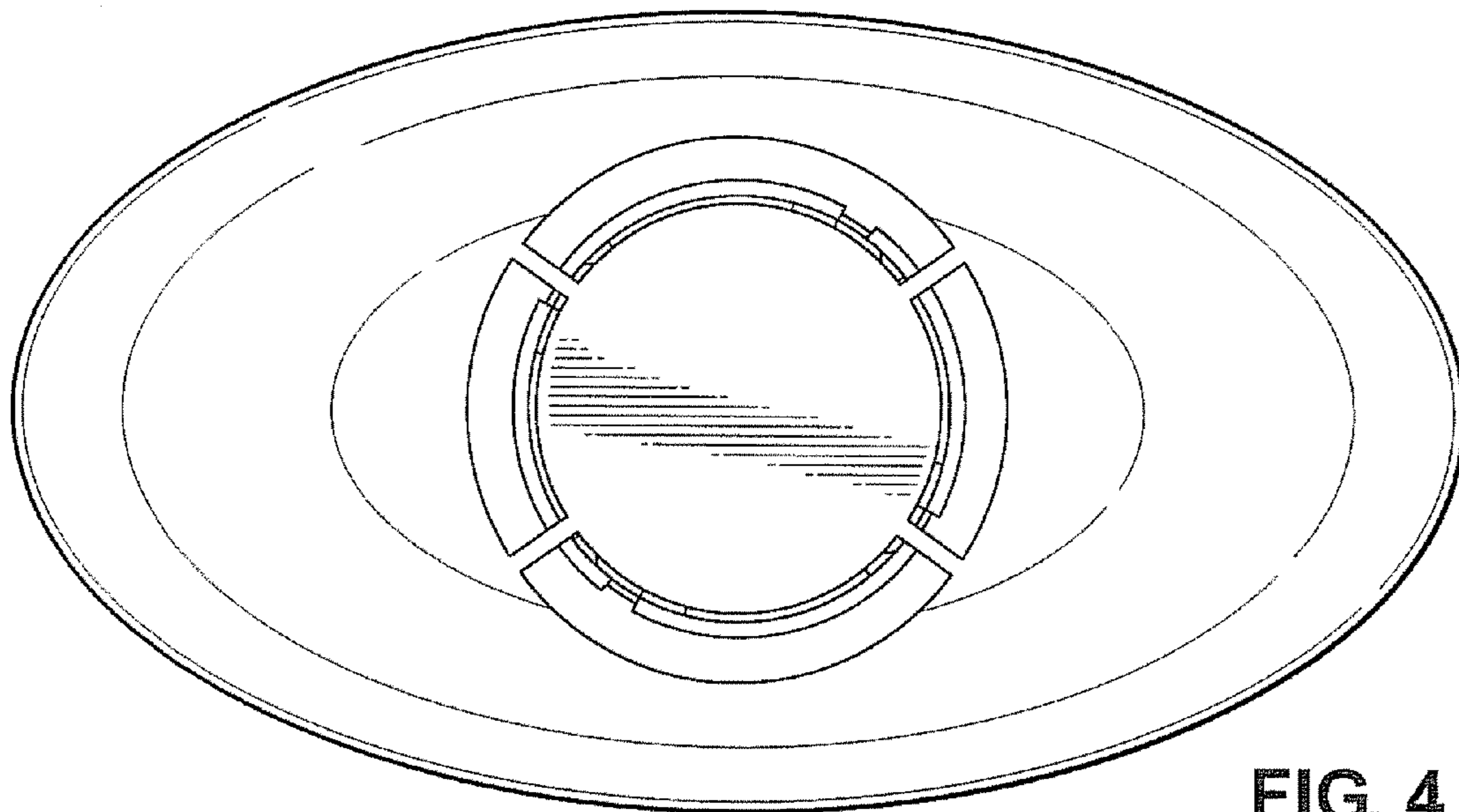


FIG. 4

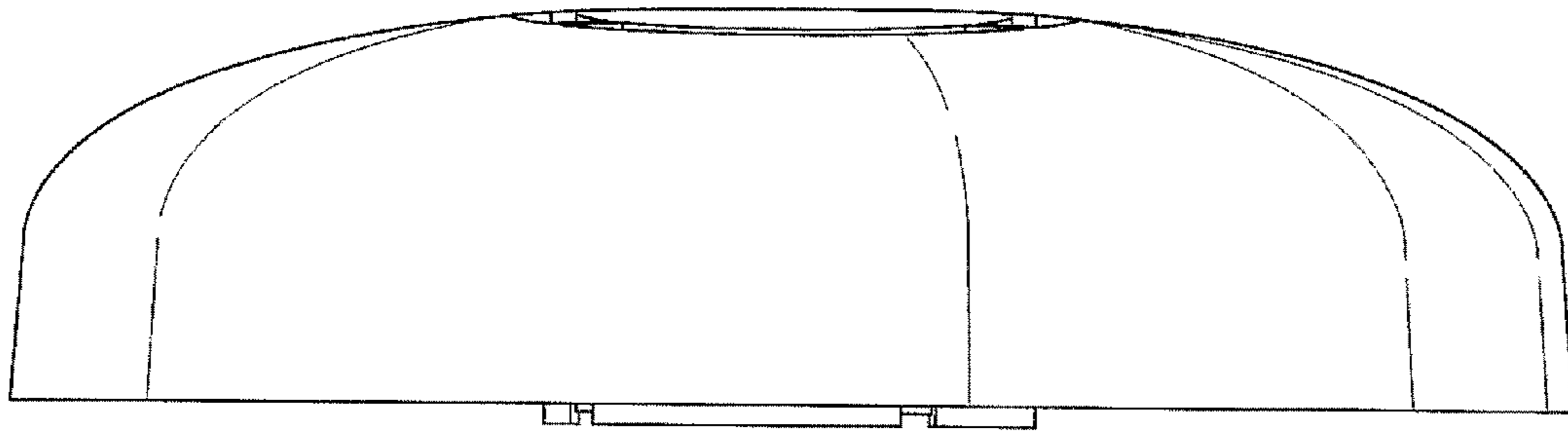


FIG. 5

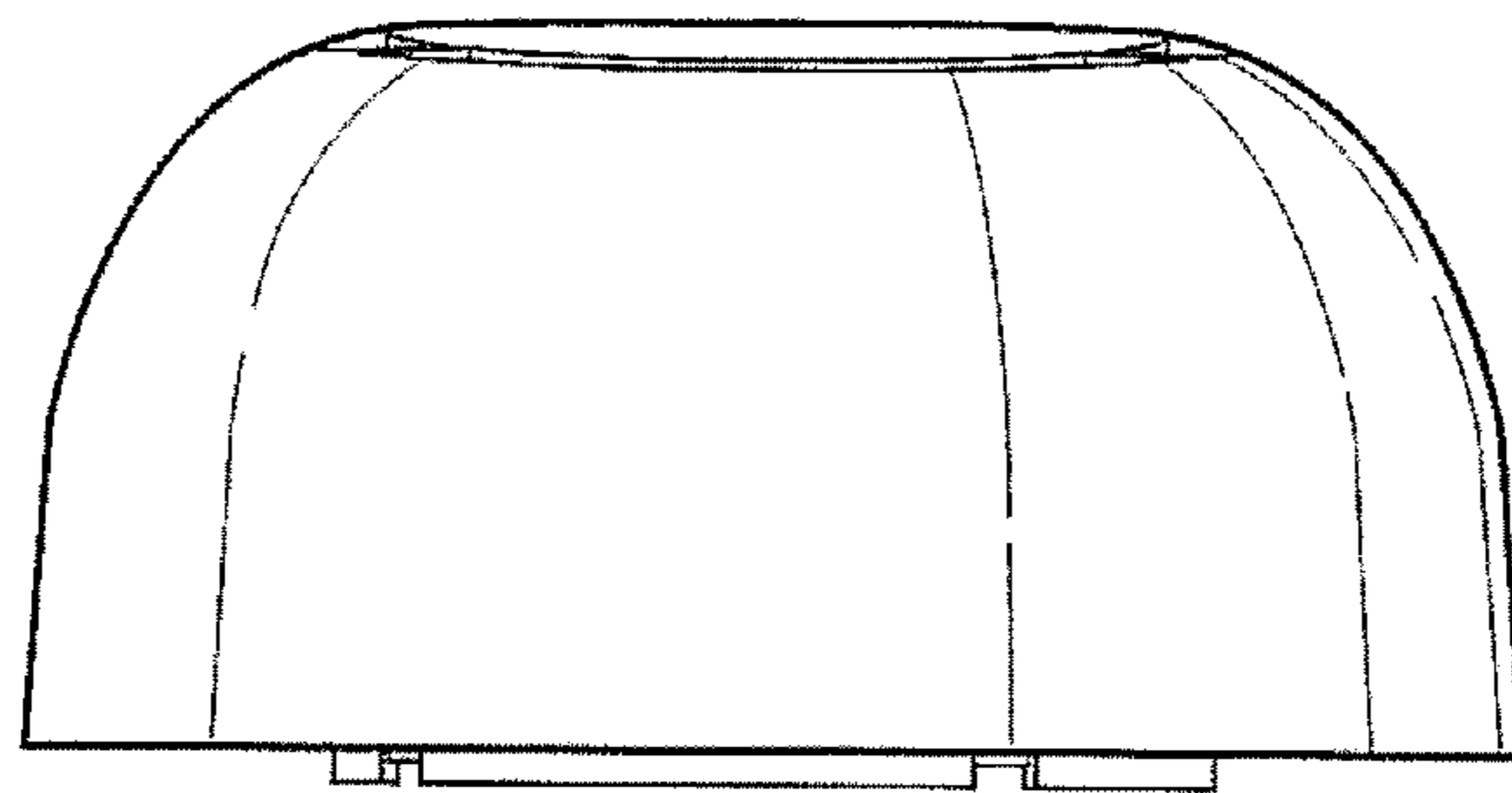


FIG. 6