



US00D617182S

(12) **United States Design Patent**
Cote et al.

(10) **Patent No.:** **US D617,182 S**
(45) **Date of Patent:** **** *Jun. 8, 2010**

(54) **PACKAGING FOR SURGICAL BLADE TIPS WITH STAND**

(75) Inventors: **Dana Cote**, Boxford, MA (US);
Gregory P. Halloran, Grafton, MA (US)

(73) Assignee: **Becton, Dickinson and Company**,
Franklin Lakes, NJ (US)

(*) Notice: This patent is subject to a terminal disclaimer.

(**) Term: **14 Years**

(21) Appl. No.: **29/334,881**

(22) Filed: **Apr. 3, 2009**

(51) **LOC (9) Cl.** **09-03**

(52) **U.S. Cl.** **D9/424; D9/414**

(58) **Field of Classification Search** D9/424,
D9/414, 415, 418, 426, 428, 499, 718; D3/203.1,
D3/203.7; D24/127, 128, 130, 146, 147;
206/339, 363, 364, 365, 366, 438, 822; 229/406,
229/800

See application file for complete search history.

(56) **References Cited**

U.S. PATENT DOCUMENTS

D208,079 S * 7/1967 Panicci D9/424
D208,080 S * 7/1967 Hamilton D9/424
3,434,587 A * 3/1969 Ciampa 206/365
D231,434 S * 4/1974 Kato D9/424

4,113,090 A * 9/1978 Carstens 206/365
D265,549 S * 7/1982 Houts et al. D3/272
4,763,788 A * 8/1988 Jorneus et al. 206/438
D306,141 S * 2/1990 McFarlane D9/424
D426,150 S * 6/2000 Izumi et al. D9/415
D484,243 S * 12/2003 Ryan et al. D24/146
D484,977 S * 1/2004 Ryan et al. D24/146
D515,916 S * 2/2006 Bleuer D9/428
2005/0061697 A1 * 3/2005 Moberg 206/364

* cited by examiner

Primary Examiner—Prabhakar Deshmukh

Assistant Examiner—Derrick Holland

(74) *Attorney, Agent, or Firm*—Hoffmann & Baron LLP

(57) **CLAIM**

The ornamental design for a packaging for surgical blade tips with stand, as shown and described.

DESCRIPTION

FIG. 1 is a top perspective view of a packaging for surgical blade tips with stand;

FIG. 2 is a top plan view thereof;

FIG. 3 is a left elevational view thereof;

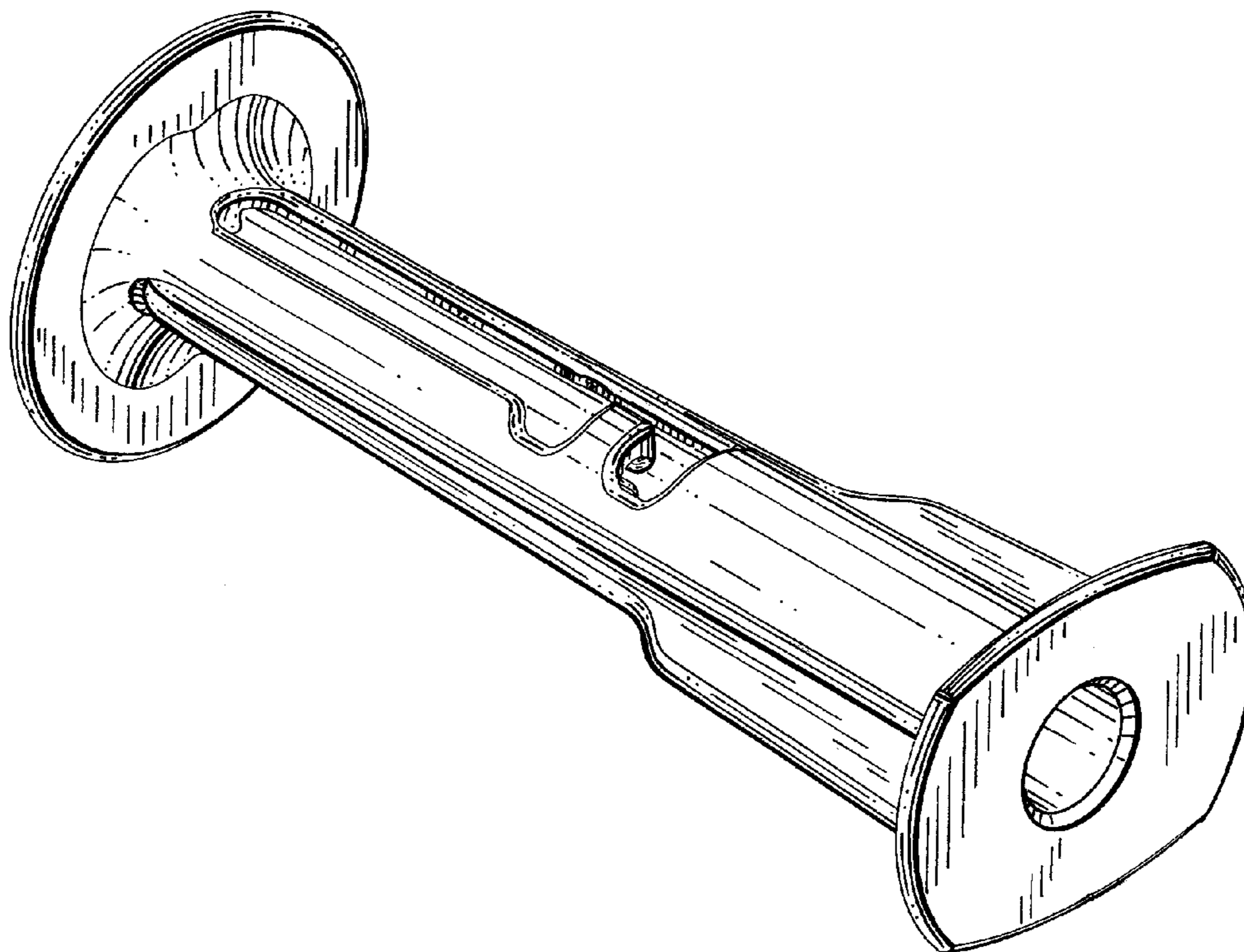
FIG. 4 is a front elevational view thereof;

FIG. 5 is a rear elevational view thereof;

FIG. 6 is a right elevational view thereof; and,

FIG. 7 is a bottom plan view thereof.

1 Claim, 6 Drawing Sheets



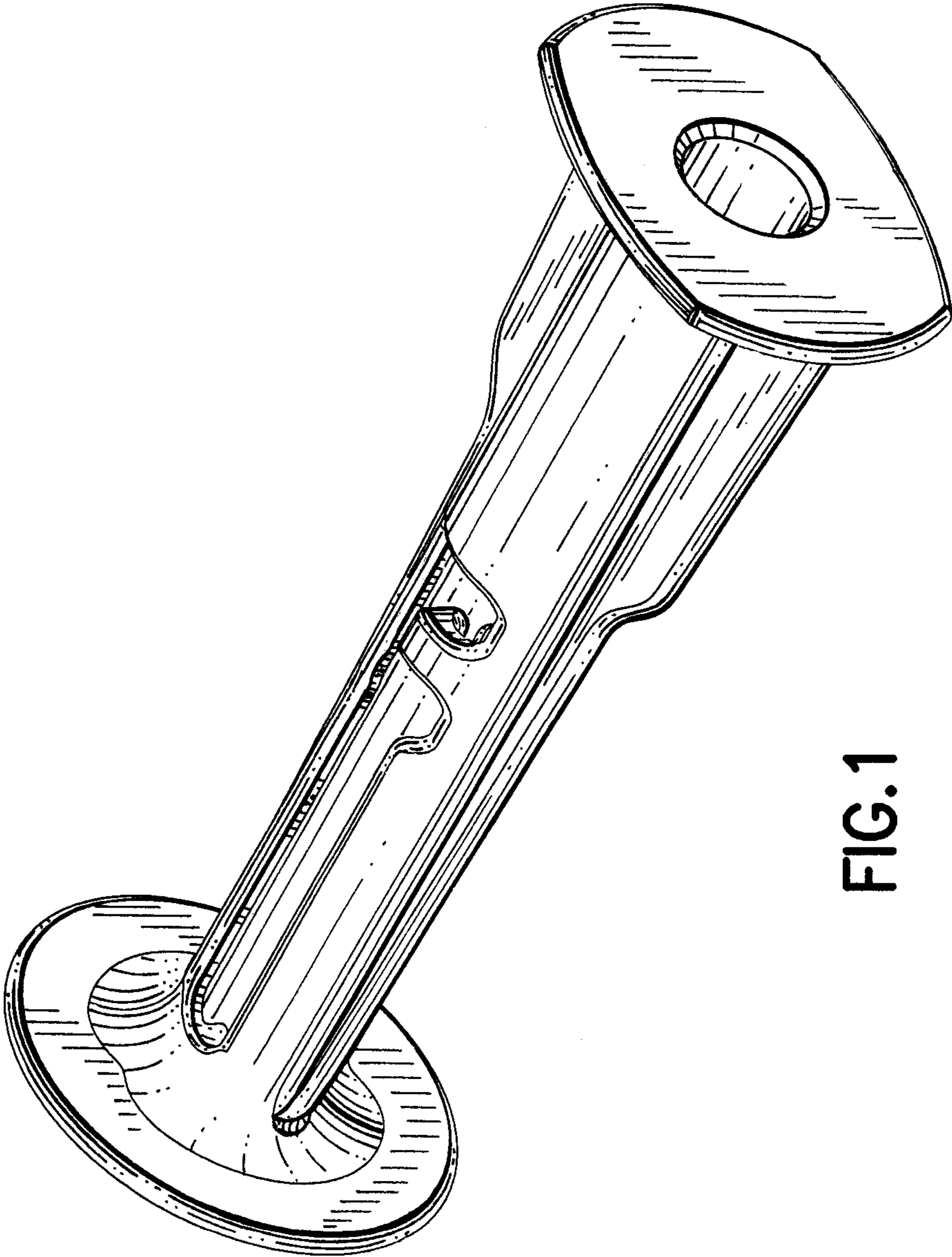


FIG. 1

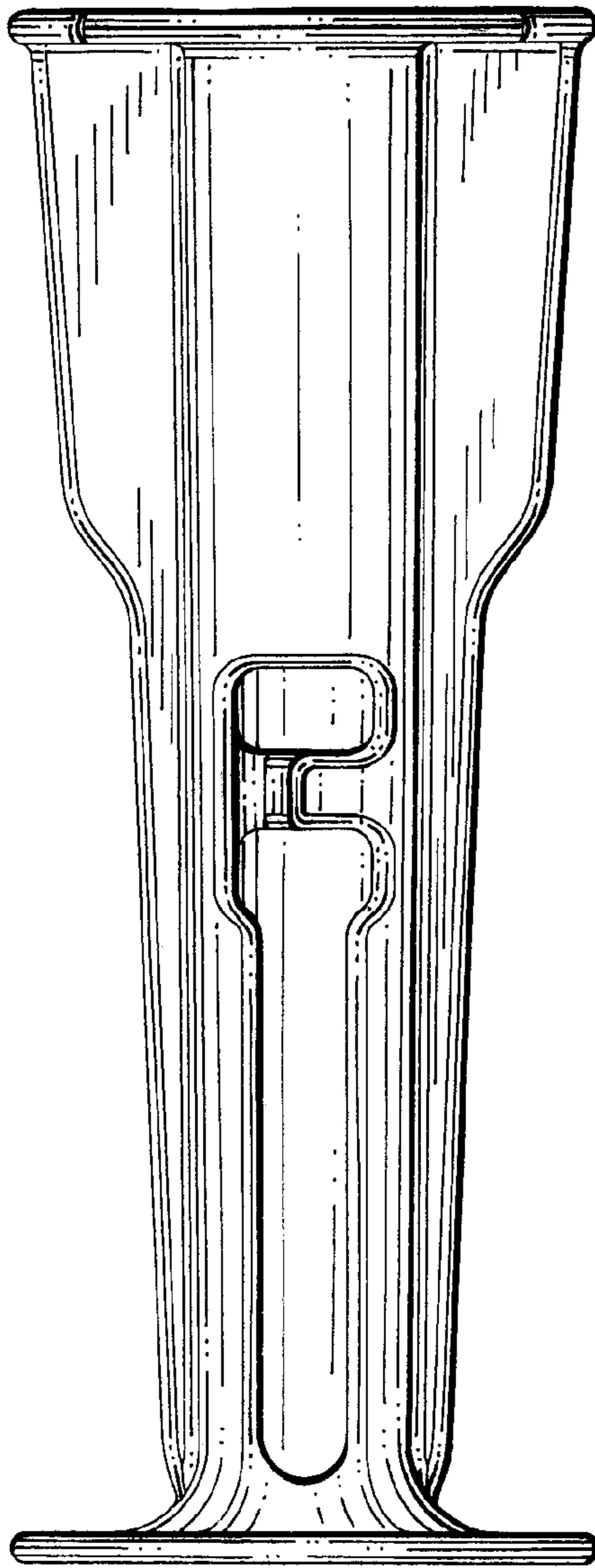


FIG.2

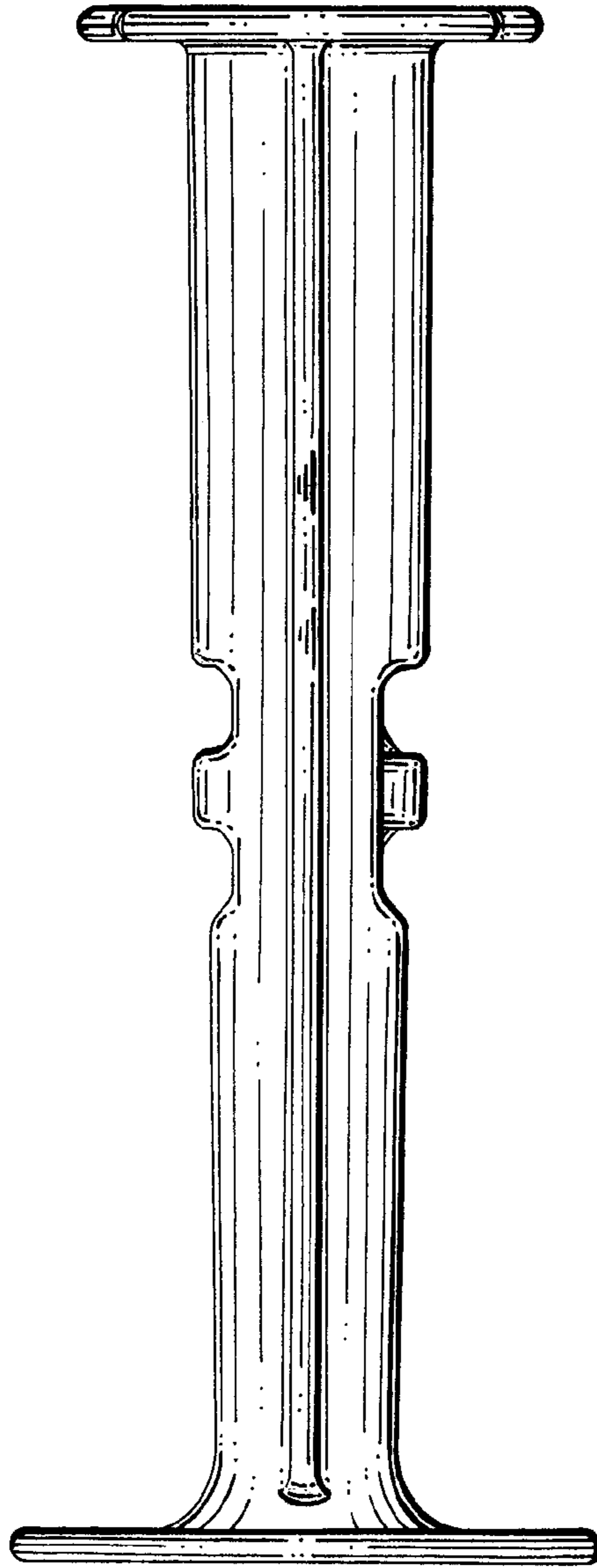


FIG.3

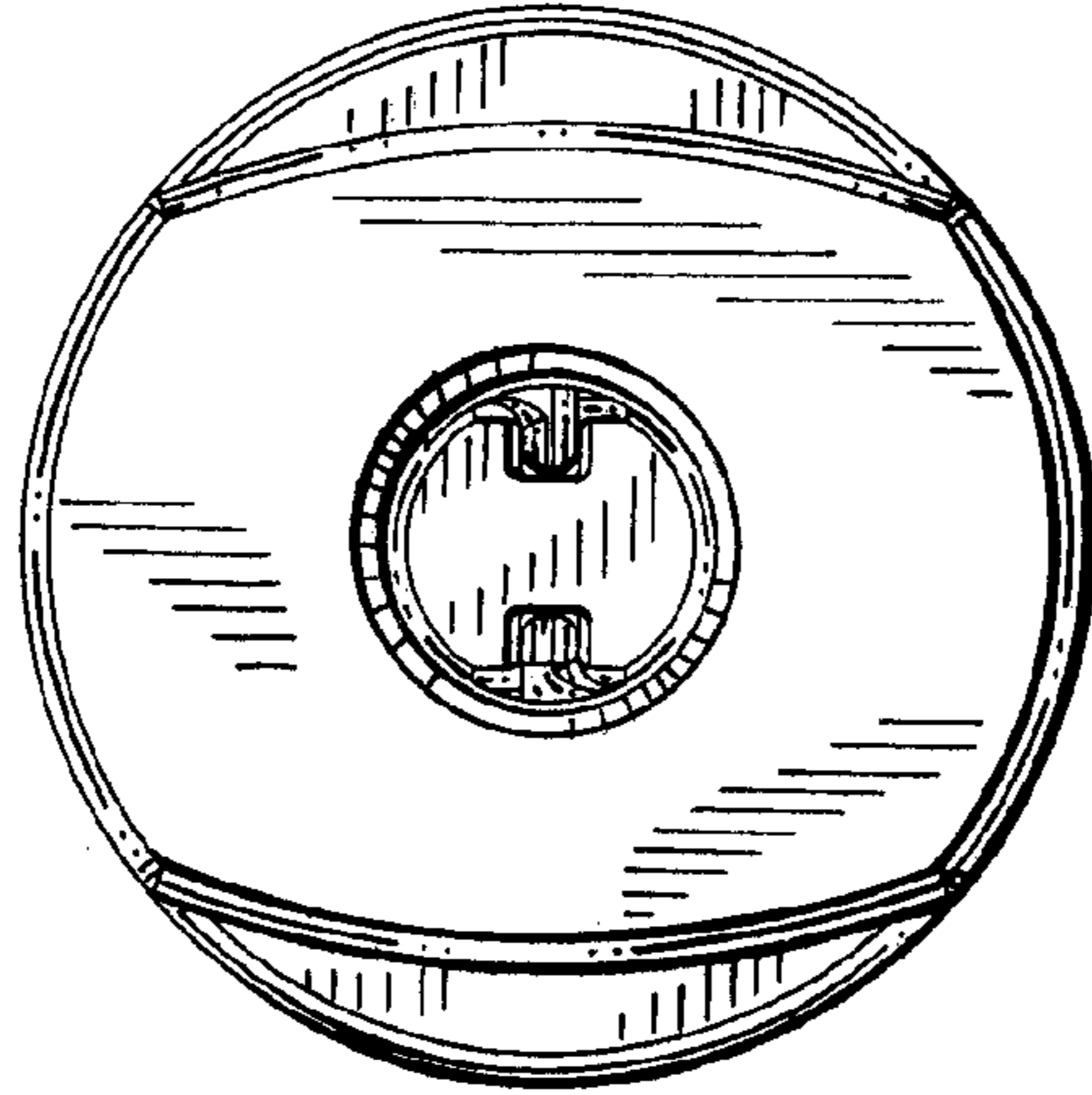


FIG. 4

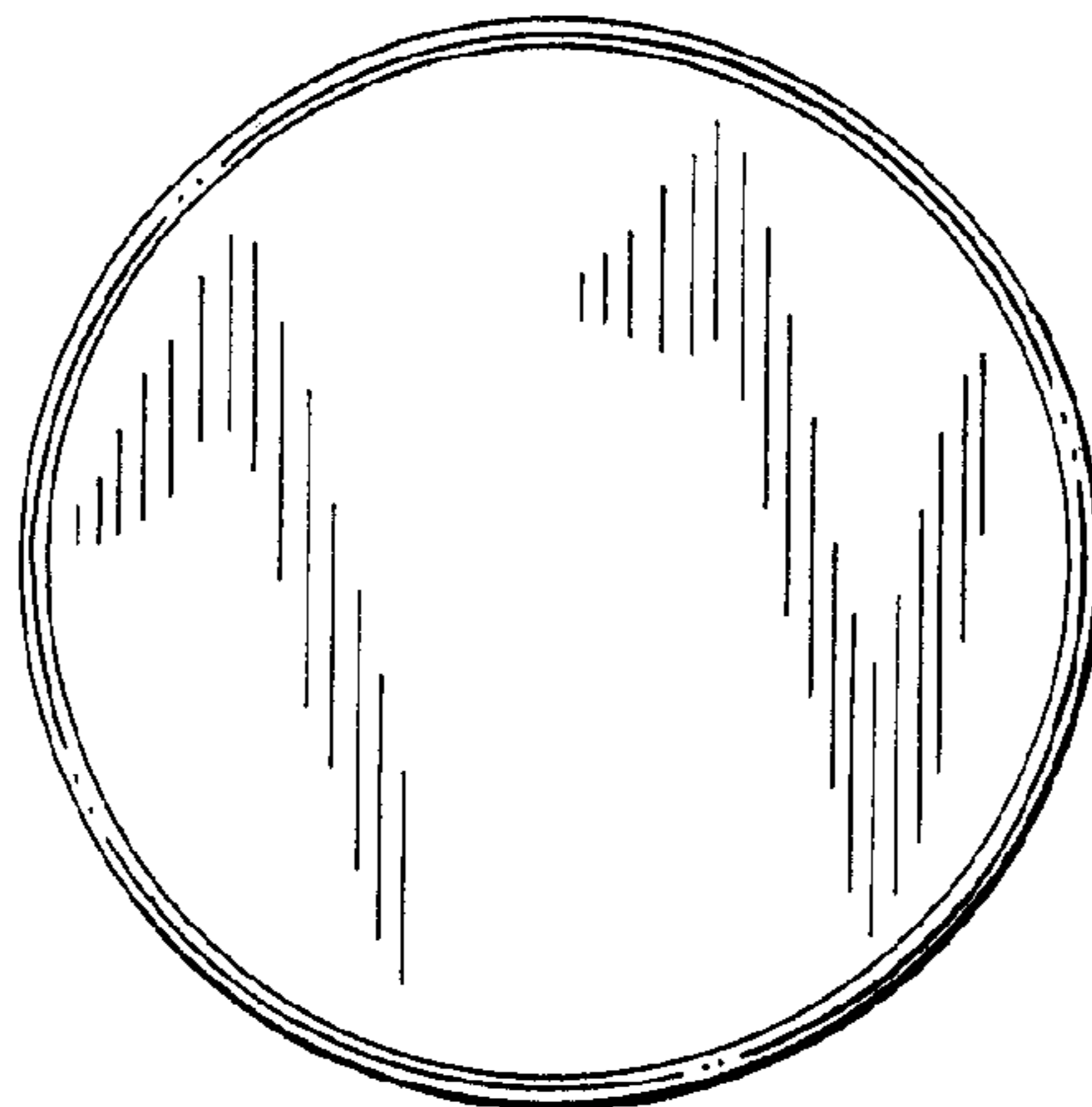


FIG. 5

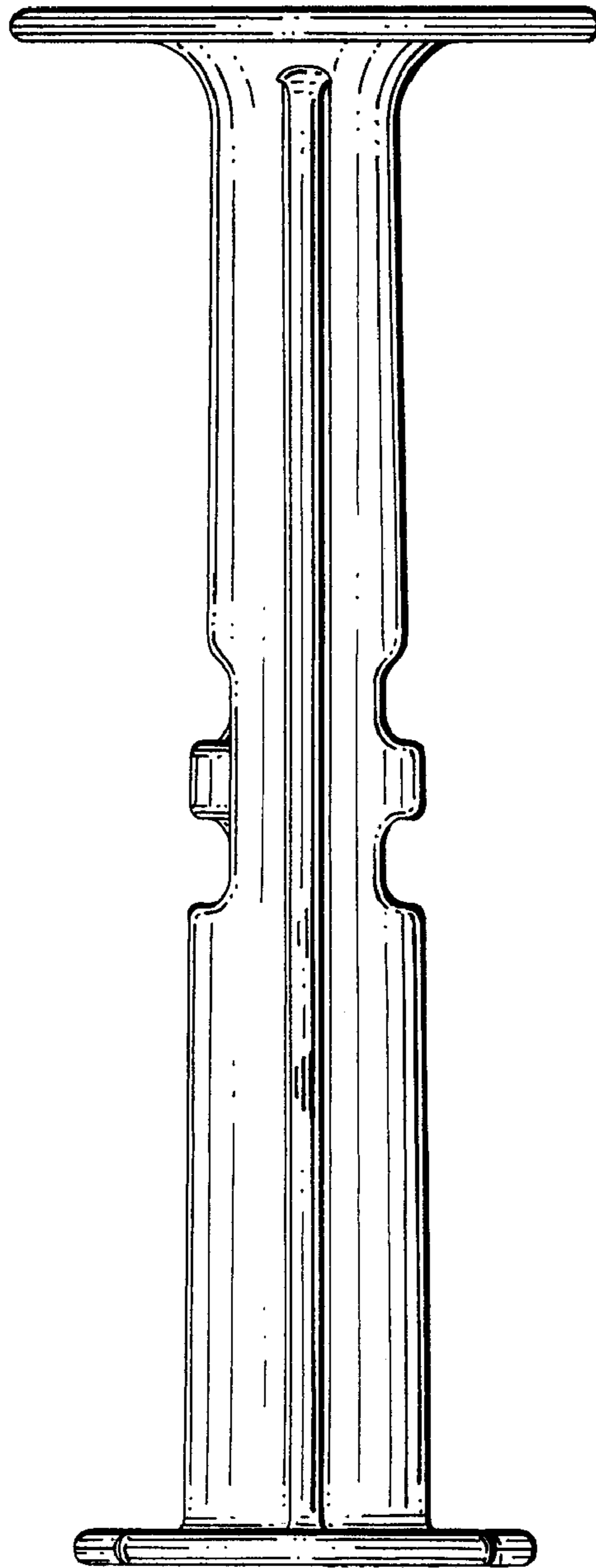


FIG. 6

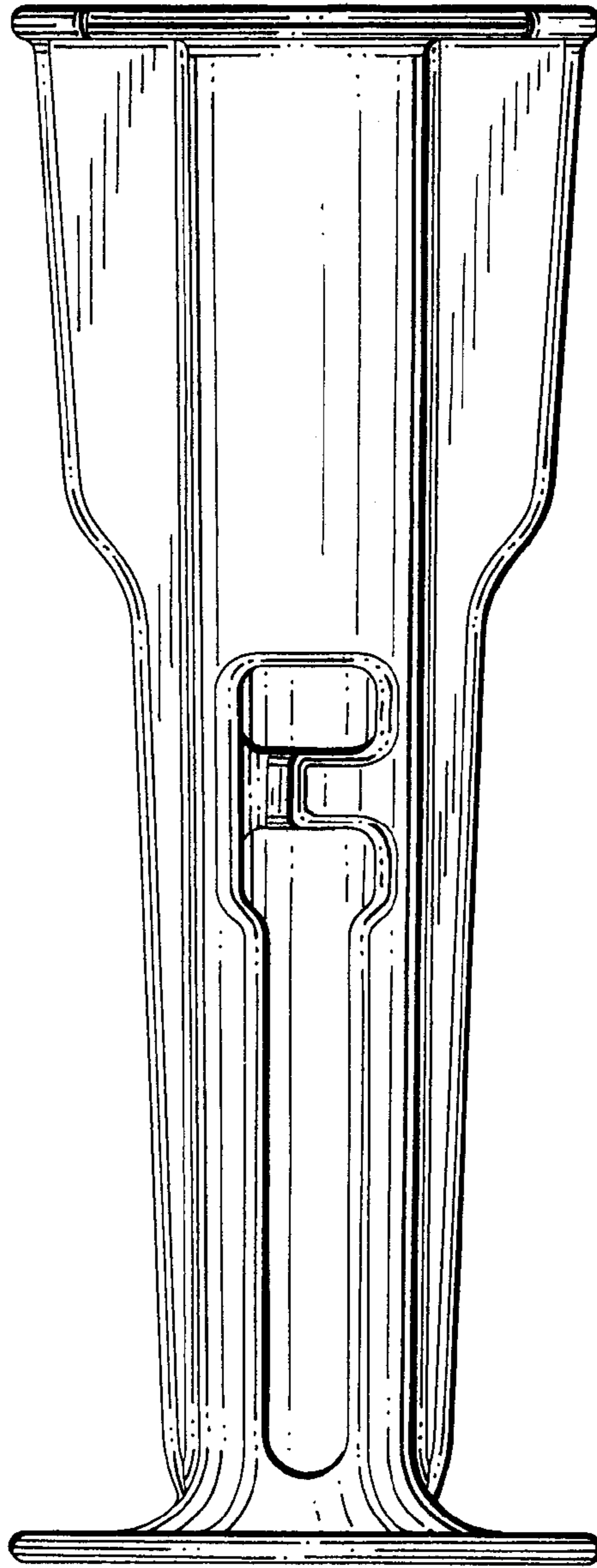


FIG. 7