



US00D617181S

(12) **United States Design Patent**
McMullen

(10) **Patent No.:** **US D617,181 S**
(45) **Date of Patent:** **** Jun. 8, 2010**

(54) **SNOW BREAKER**

(75) Inventor: **Brion P. McMullen**, Mechanicsburg, PA (US)

(73) Assignee: **Iceblox, Inc.**, Mechanicsburg, PA (US)

(**) Term: **14 Years**

(21) Appl. No.: **29/350,287**

(22) Filed: **Nov. 13, 2009**

(51) **LOC (9) Cl.** **08-99**

(52) **U.S. Cl.** **D8/499**

(58) **Field of Classification Search** D8/400-499;
D25/199; 52/24-26, 545, 533, 98
See application file for complete search history.

(56) **References Cited**

U.S. PATENT DOCUMENTS

5,044,130	A	*	9/1991	Chiddister	52/24
D360,476	S	*	7/1995	Smeja et al.	D25/199
D364,556	S	*	11/1995	Lee et al.	D8/499
D453,678	S	*	2/2002	McMullen	D8/499
D499,011	S	*	11/2004	Rizzo	D8/499
D499,332	S	*	12/2004	Rizzo	D8/499

D512,303	S	*	12/2005	Prichard et al.	D8/499
D537,336	S	*	2/2007	Fisher	D8/499
D553,972	S	*	10/2007	Prichard et al.	D8/499
D601,414	S	*	10/2009	Riley et al.	D8/499

* cited by examiner

Primary Examiner—Cathron C Brooks

Assistant Examiner—Barbara Fox

(74) *Attorney, Agent, or Firm*—Sughrue Mion, PLLC

(57) **CLAIM**

The ornamental design for a snow breaker, as shown.

DESCRIPTION

FIG. 1 is a perspective view of a snow breaker showing my new design:

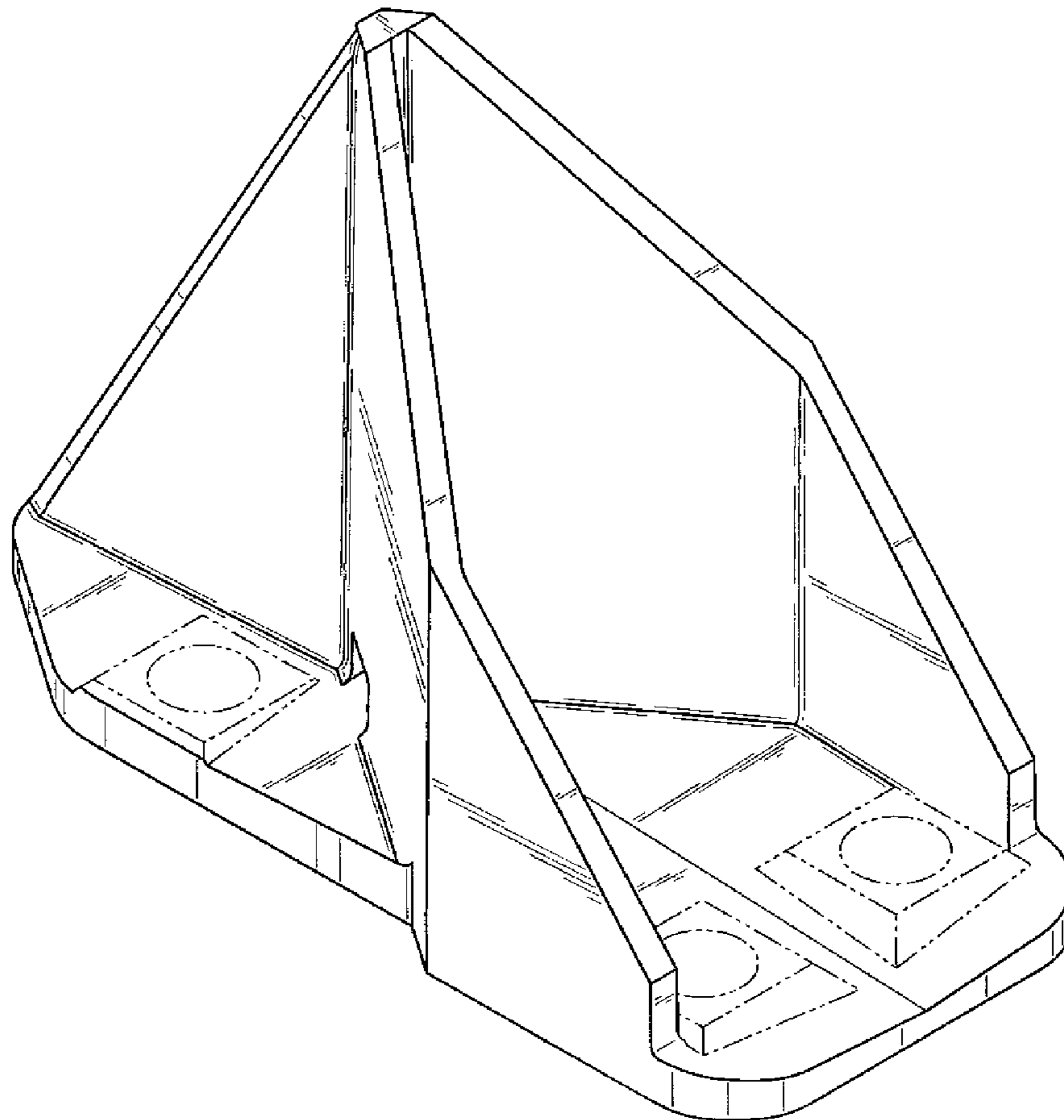
FIG. 2 is a perspective view thereof of the top, back and left side;

FIG. 3 is a top plan view thereof; and,

FIG. 4 is a bottom plan view thereof.

The broken lines shown in the drawings are for the purpose of illustrating unclaimed portions of the snow breaker and form no part of the claimed design.

1 Claim, 4 Drawing Sheets



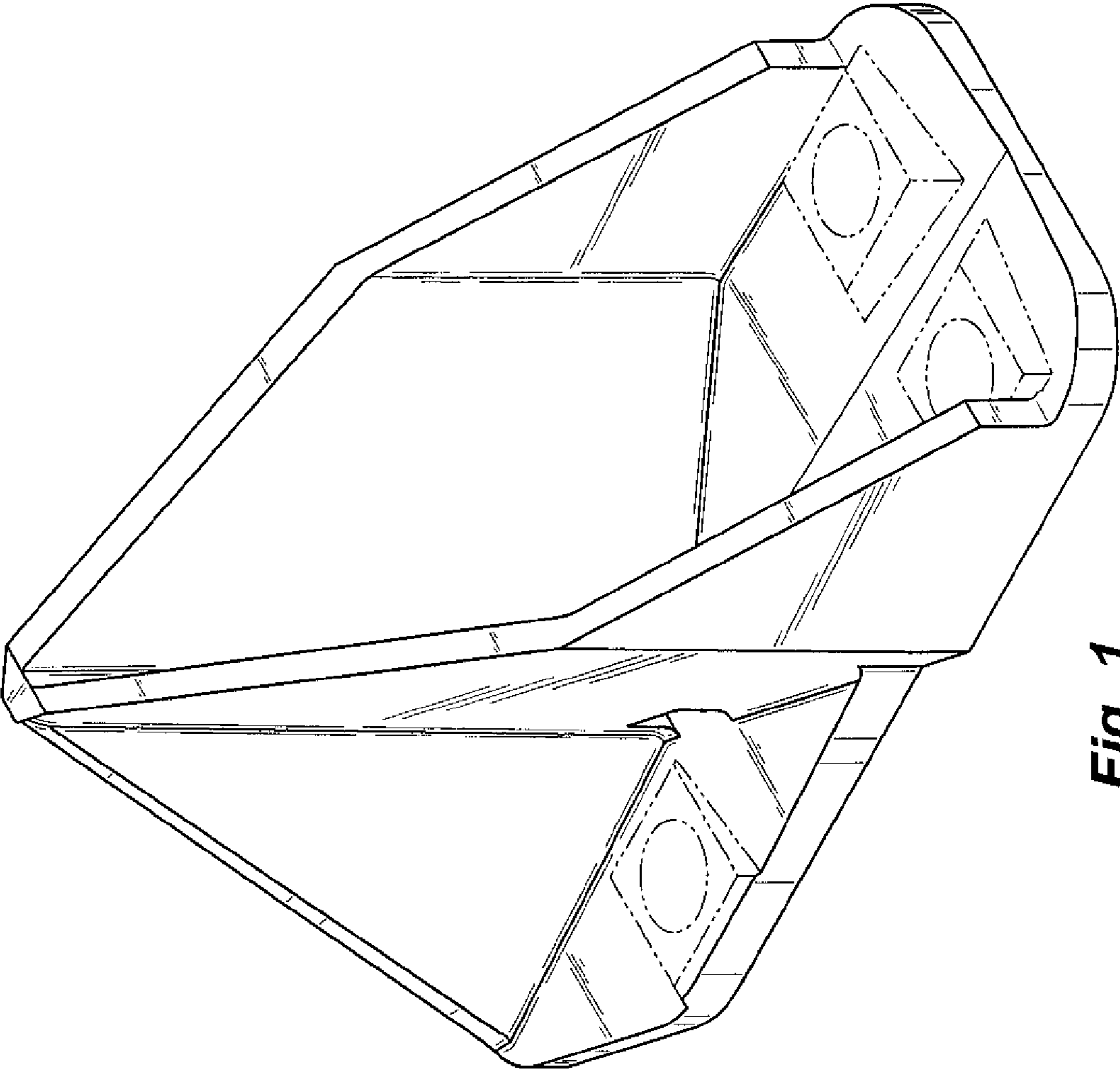


Fig. 1

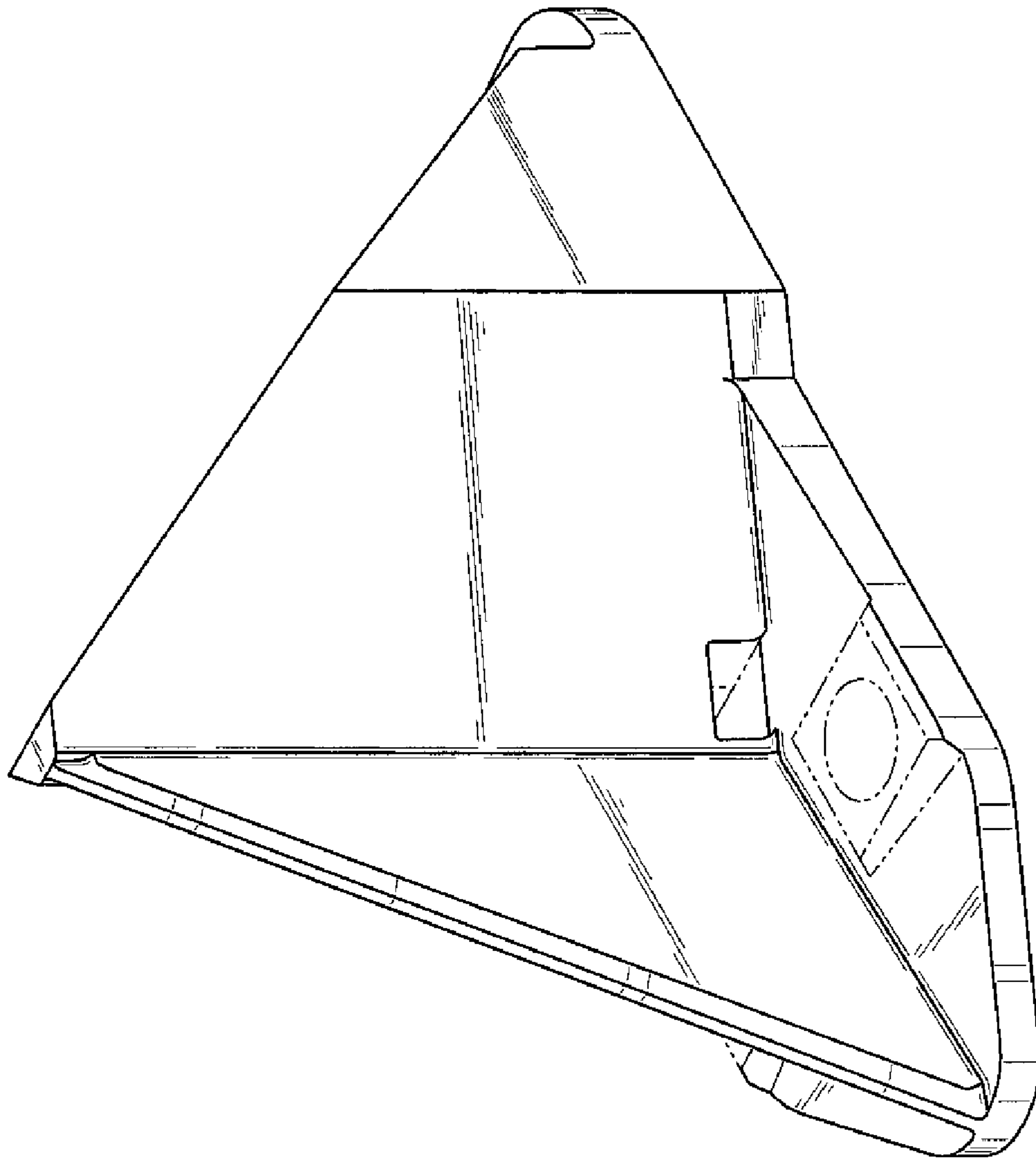


Fig. 2

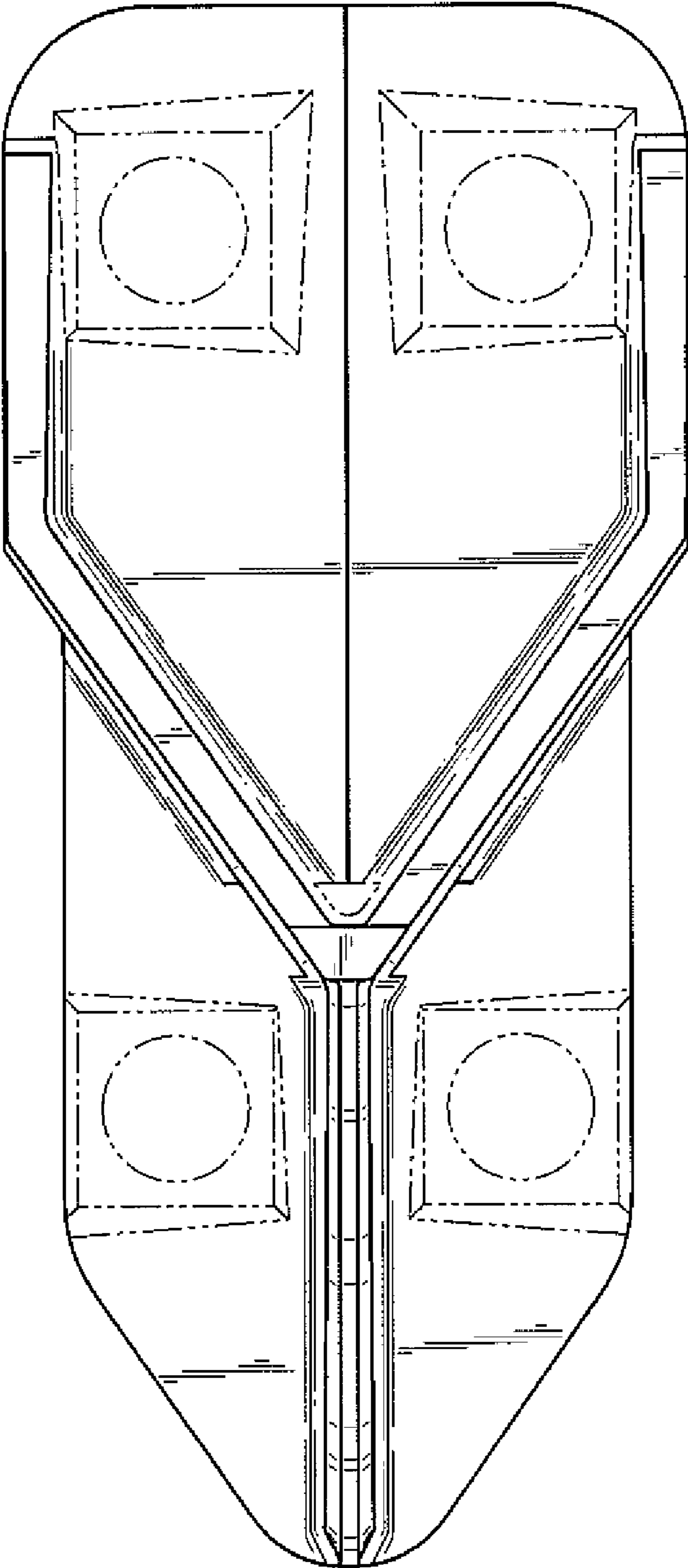


Fig. 3

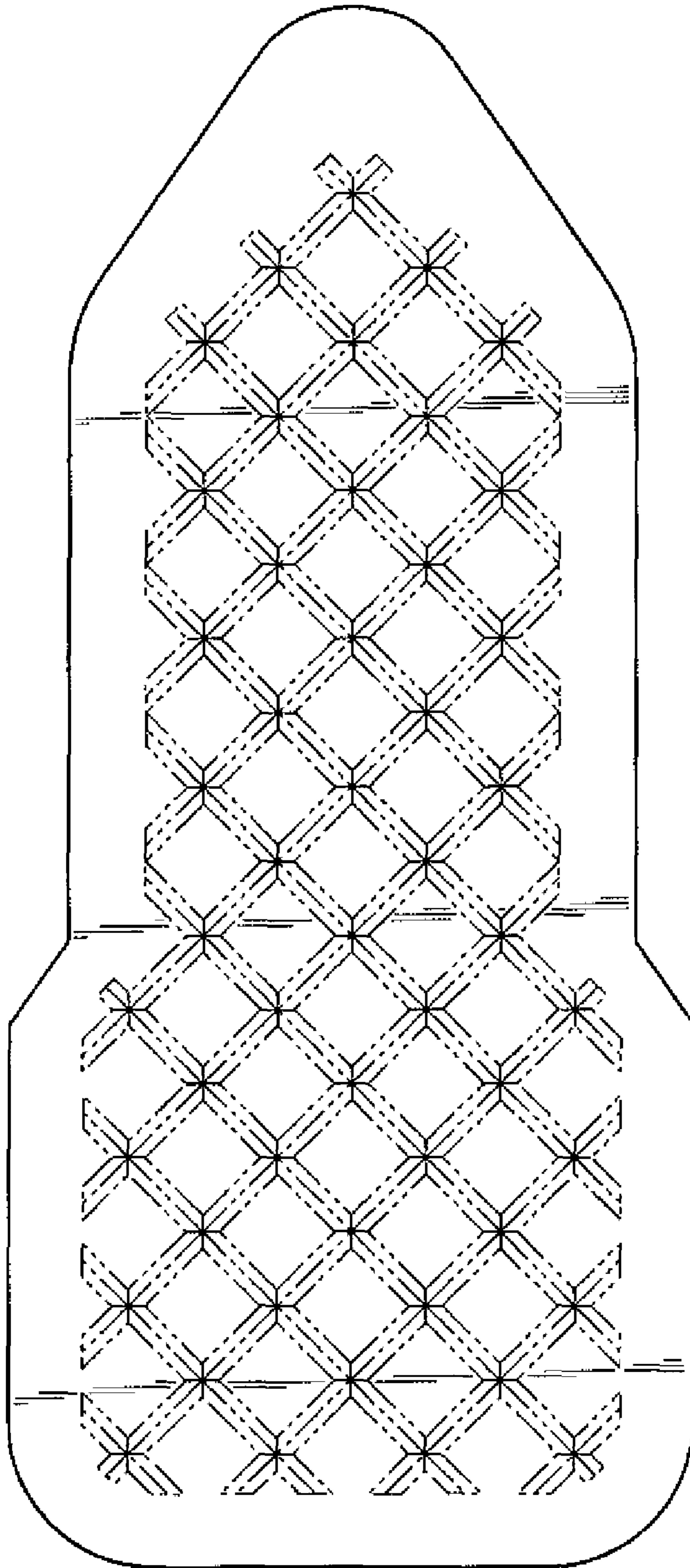


Fig. 4