



US00D617180S

(12) **United States Design Patent**
VanElverdinghe

(10) **Patent No.:** **US D617,180 S**
(45) **Date of Patent:** **** Jun. 8, 2010**

- (54) **CANOPY CAMLOCK FITTING**
- (76) Inventor: **Jeffry L. VanElverdinghe**, 4537 SW.
164th Pl., Beaverton, OR (US) 97007
- (**) Term: **14 Years**
- (21) Appl. No.: **29/334,011**
- (22) Filed: **Mar. 18, 2009**
- (51) **LOC (9) Cl.** **08-08**
- (52) **U.S. Cl.** **D8/382**
- (58) **Field of Classification Search** D8/382,
D8/354, 396; D6/491; D23/262; 403/305,
403/388; D21/839; 135/99, 121, 120.3,
135/145, 114, 131, 140
See application file for complete search history.

- (56) **References Cited**
U.S. PATENT DOCUMENTS
2,839,320 A * 6/1958 Hill 403/172

(Continued)

Primary Examiner—Holly H Baynham
Assistant Examiner—Sheryl Lane
(74) *Attorney, Agent, or Firm*—Joseph P. Curtin, L.L.C.

(57) **CLAIM**

The ornamental design for a canopy camlock fitting, shown and described.

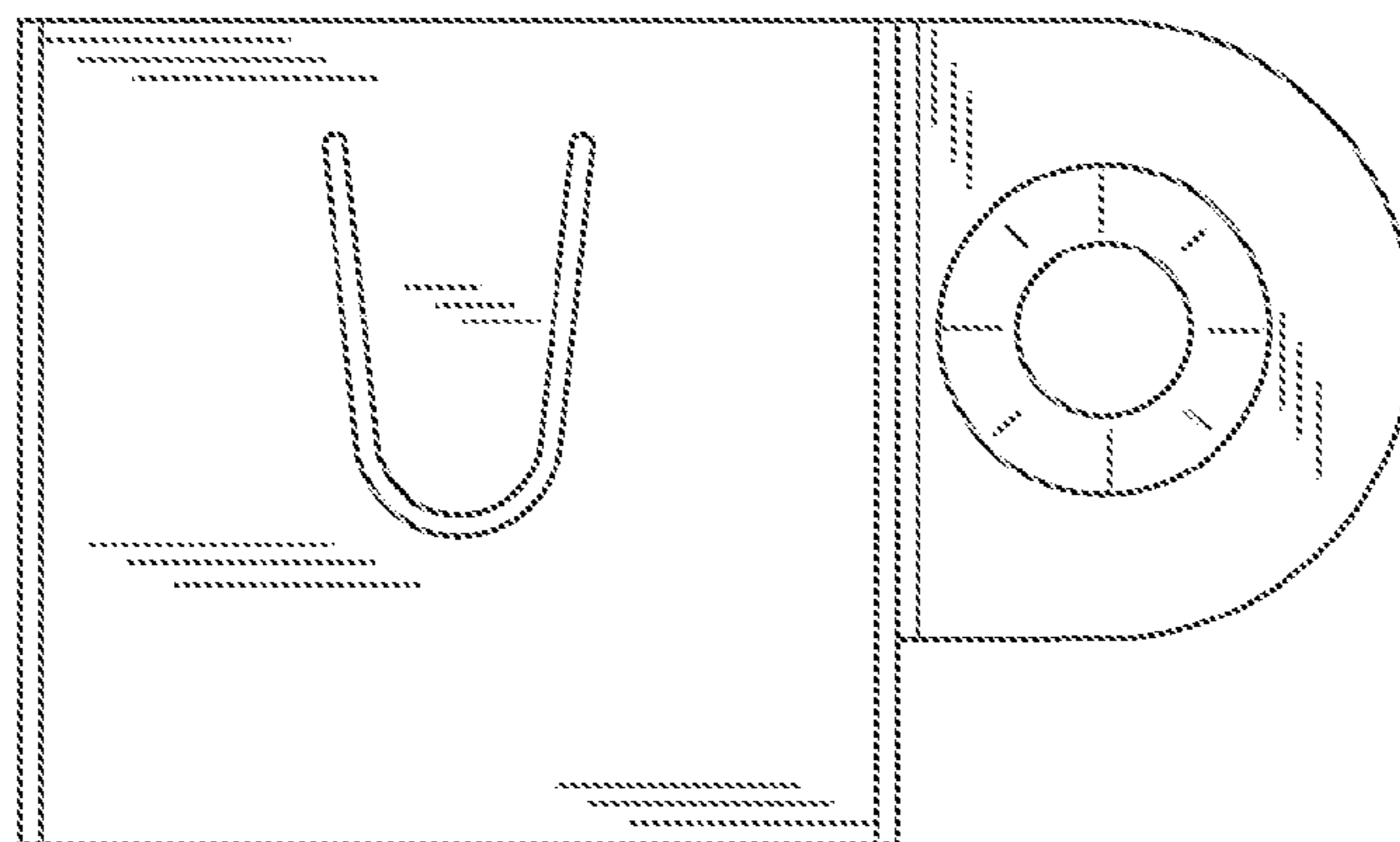
DESCRIPTION

- FIG. 1 is a top view of an assembled camlock fitting according to the subject matter disclosed herein;
- FIG. 2 is a top view of an unassembled camlock fitting according to the subject matter disclosed herein;
- FIG. 3 is a back view of an assembled camlock fitting according to the subject matter disclosed herein;
- FIG. 4 is a back view of an unassembled camlock fitting according to the subject matter disclosed herein;
- FIG. 5 is a bottom view of an assembled camlock fitting according to the subject matter disclosed herein;

- FIG. 6 is a bottom view of an unassembled camlock fitting according to the subject matter disclosed herein;
- FIG. 7 is a front view of an assembled camlock fitting according to the subject matter disclosed herein;
- FIG. 8 is a front view of an unassembled camlock fitting according to the subject matter disclosed herein;
- FIG. 9 is a left side view of an assembled camlock fitting according to the subject matter disclosed herein;
- FIG. 10 is a left side view of an unassembled camlock fitting according to the subject matter disclosed herein;
- FIG. 11 is a right side view of an assembled camlock fitting according to the subject matter disclosed herein;
- FIG. 12 is a right side view of an unassembled camlock fitting according to the subject matter disclosed herein;
- FIG. 13 is a northeast isometric view of an assembled camlock fitting according to the subject matter disclosed herein;
- FIG. 14 is a northeast isometric view of an unassembled camlock fitting according to the subject matter disclosed herein;
- FIG. 15 is a northwest isometric view of an assembled camlock fitting according to the subject matter disclosed herein;
- FIG. 16 is a northwest isometric view of an unassembled camlock fitting according to the subject matter disclosed herein;
- FIG. 17 is a southeast isometric view of an assembled camlock fitting according to the subject matter disclosed herein;
- FIG. 18 is a southeast isometric view of an unassembled camlock fitting according to the subject matter disclosed herein;
- FIG. 19 is a southwest isometric view of an assembled camlock fitting according to the subject matter disclosed herein;
- FIG. 20 is a southwest isometric view of an unassembled camlock fitting according to the subject matter disclosed herein; and,
- FIG. 21 is an exploded southeast isometric view of an assembled camlock fitting according to the subject matter disclosed herein.

The elements in the drawings are shown unassembled and/or exploded for ease of illustration.

1 Claim, 21 Drawing Sheets



US D617,180 S

Page 2

U.S. PATENT DOCUMENTS

4,129,975	A	*	12/1978	Gabriel	52/655.2			
5,511,572	A		4/1996	Carter					
D412,102	S	*	7/1999	Murakami	D8/382			
5,944,040	A		8/1999	Jang					
6,076,312	A		6/2000	Carter					
6,230,729	B1		5/2001	Carter					
6,283,136	B1		9/2001	Chen					
6,363,956	B2		4/2002	Carter					
6,382,224	B1		5/2002	Carter					
6,520,196	B2		2/2003	Carter					
6,701,949	B2		3/2004	Carter					
6,712,083	B2		3/2004	Carter					
6,926,021	B2		8/2005	Carter					
D512,477	S	*	12/2005	Diaz	D21/839			
6,981,510	B2		1/2006	Carter					
7,051,745	B2		5/2006	Carter					
D533,914	S	*	12/2006	Diaz	D21/839			
7,178,541	B2		2/2007	Carter					
7,178,542	B2		2/2007	Carter					
7,240,687	B2		7/2007	Carter					
D559,665	S	*	1/2008	Terada et al.	D8/382			
7,363,933	B2		4/2008	Carter					
D576,026	S	*	9/2008	Mazzocco	D8/382			
D582,181	S	*	12/2008	Gasser	D6/491			
D598,735	S	*	8/2009	Wakasugi et al.	D8/382			

* cited by examiner

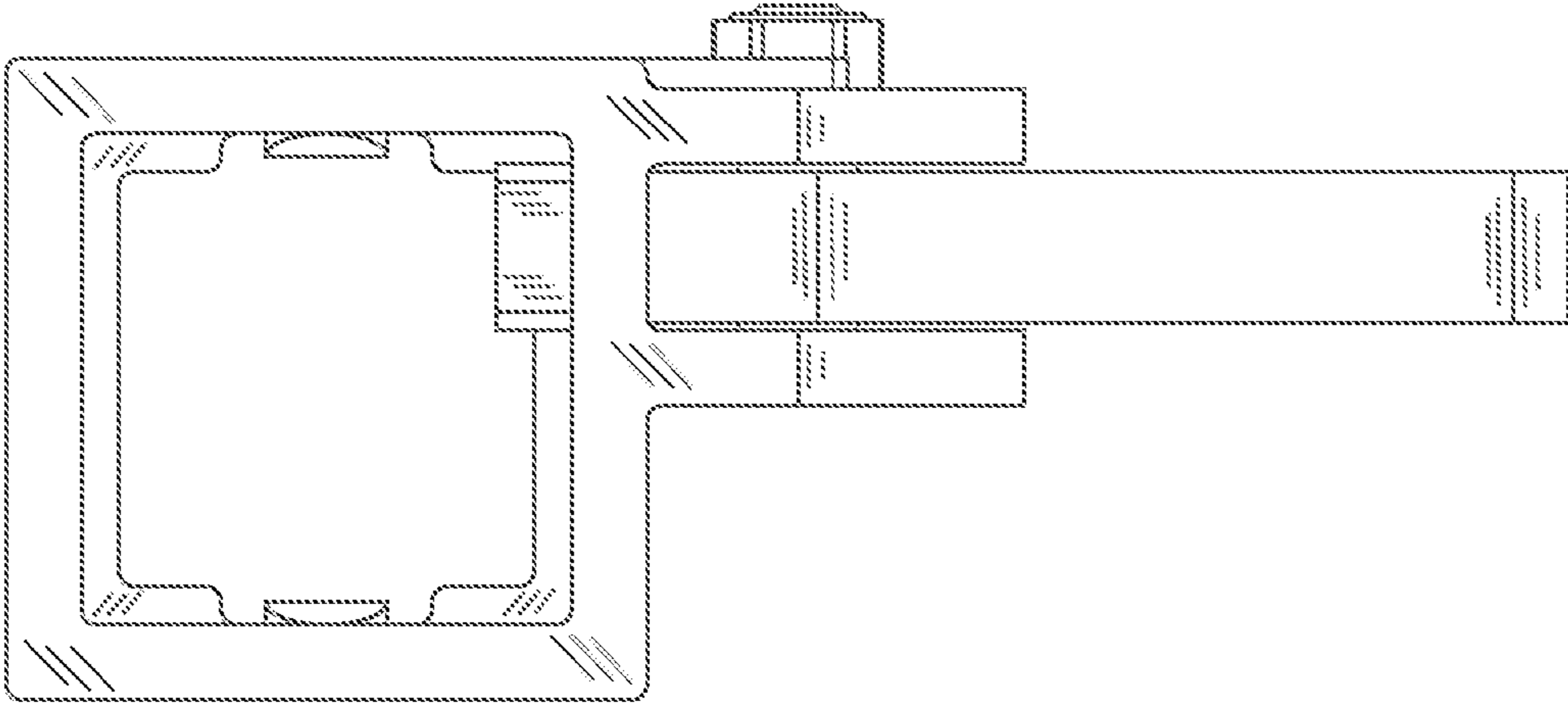


FIG. 1

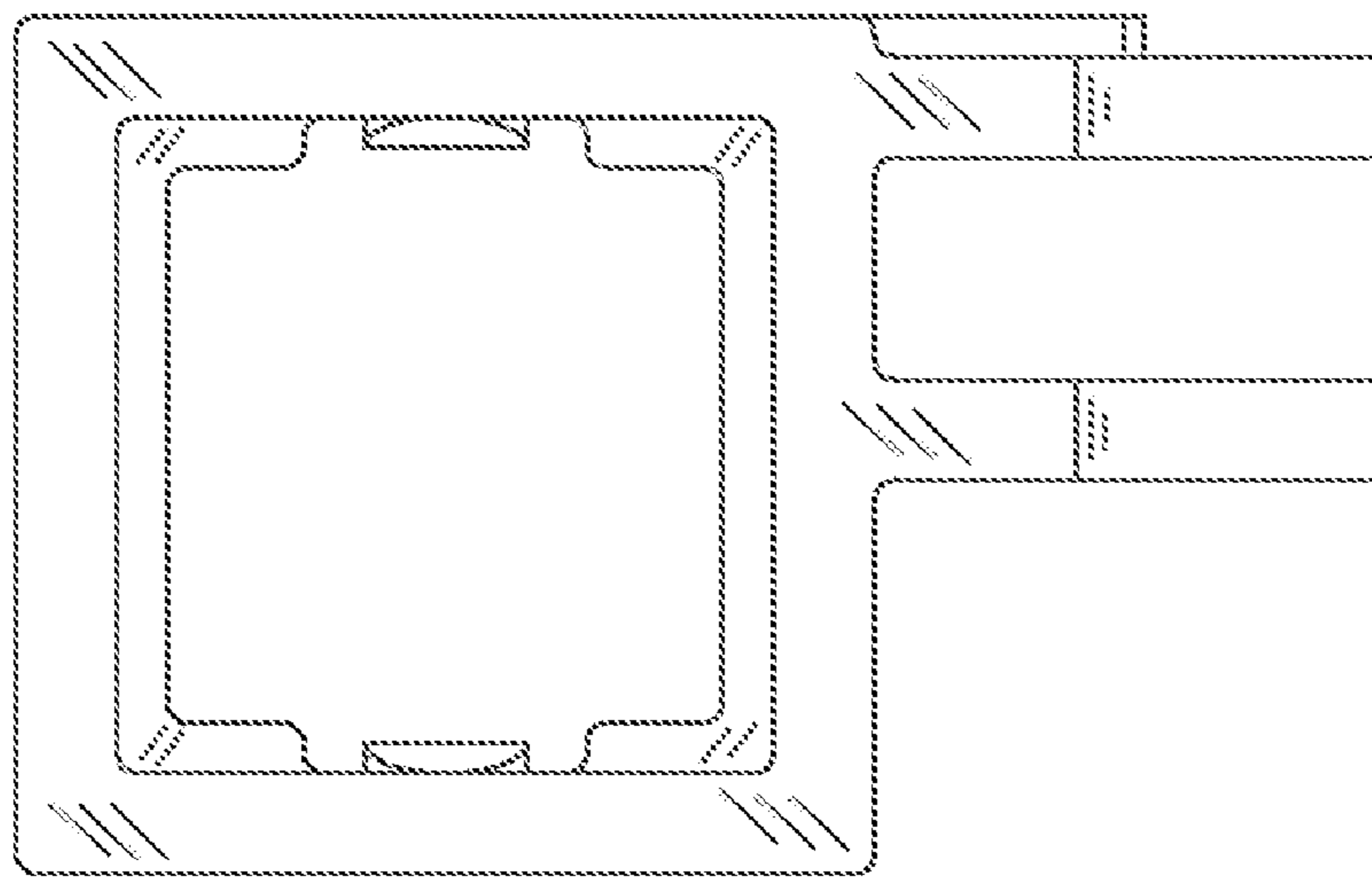


FIG. 2

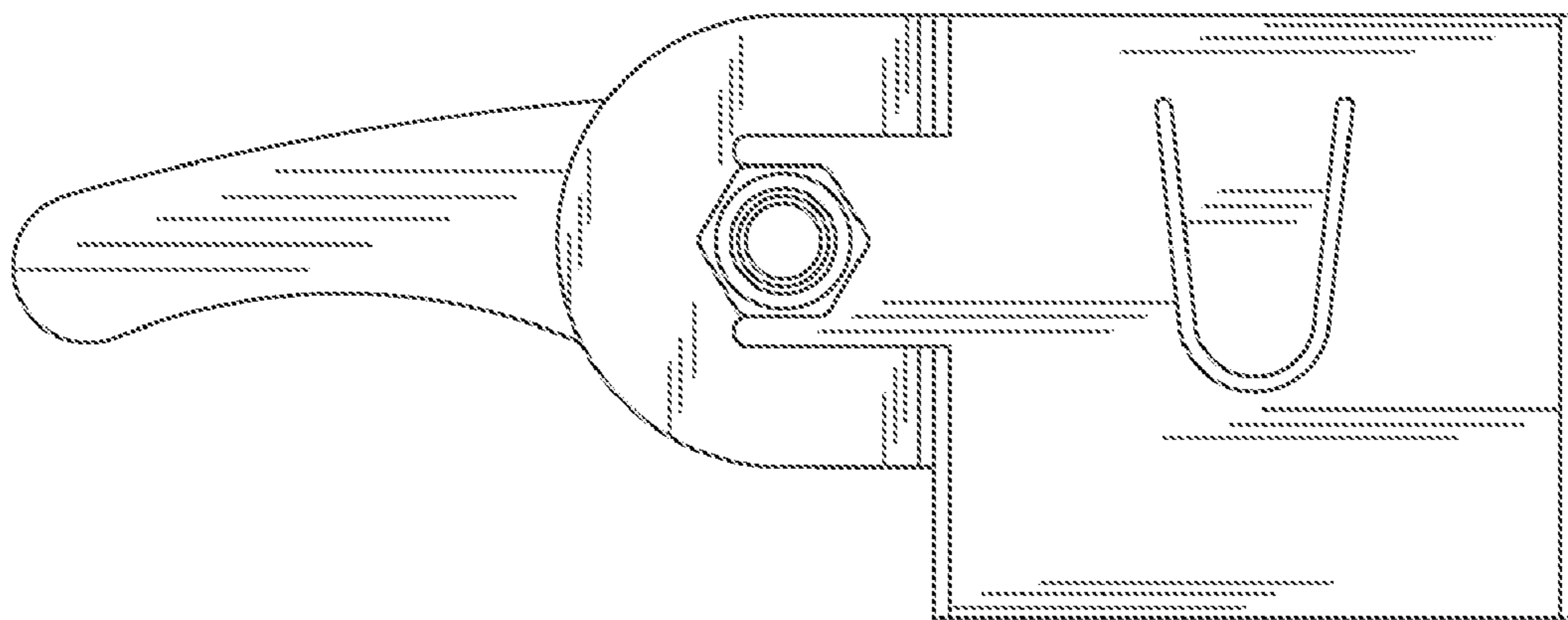


FIG. 3

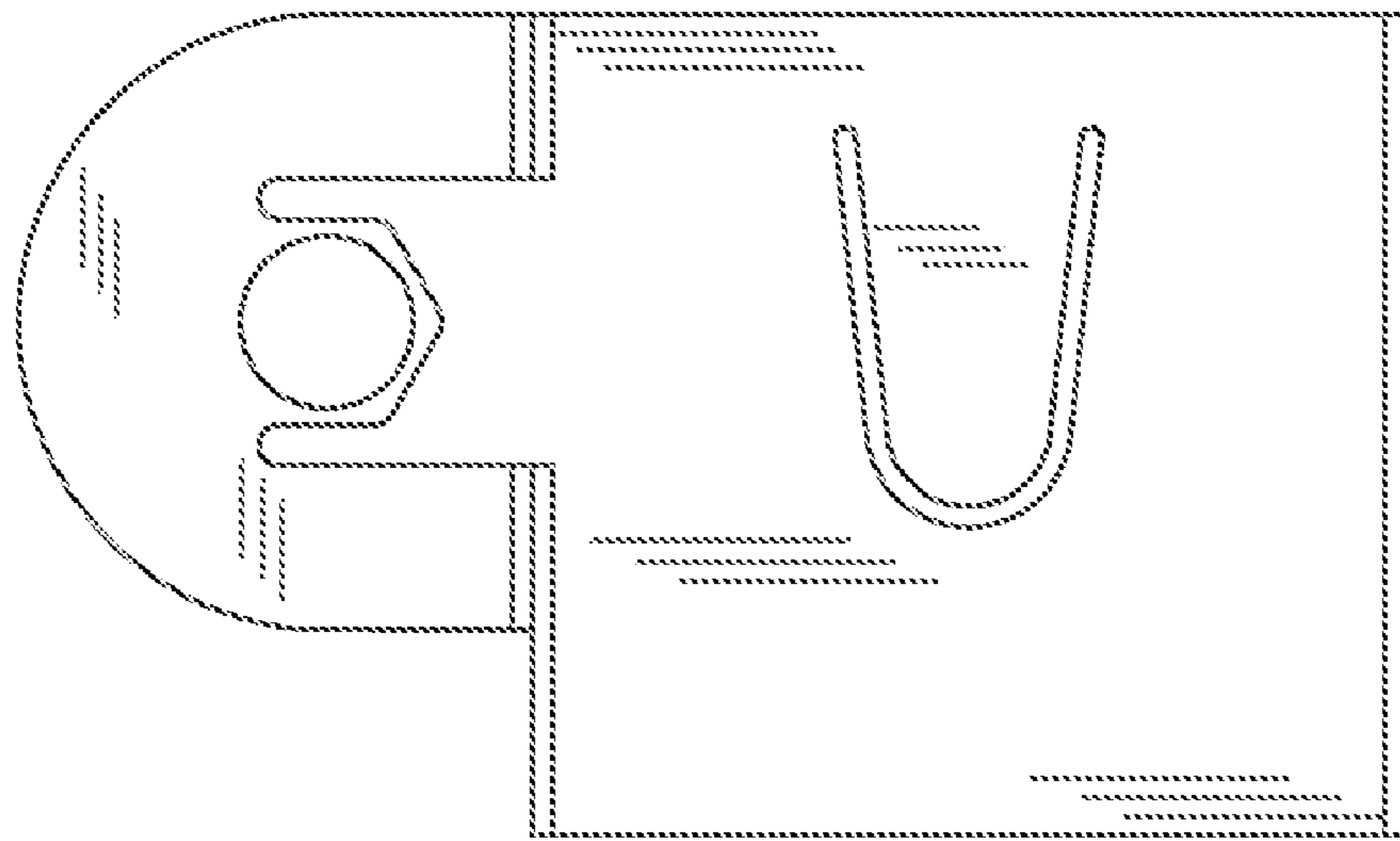


FIG. 4

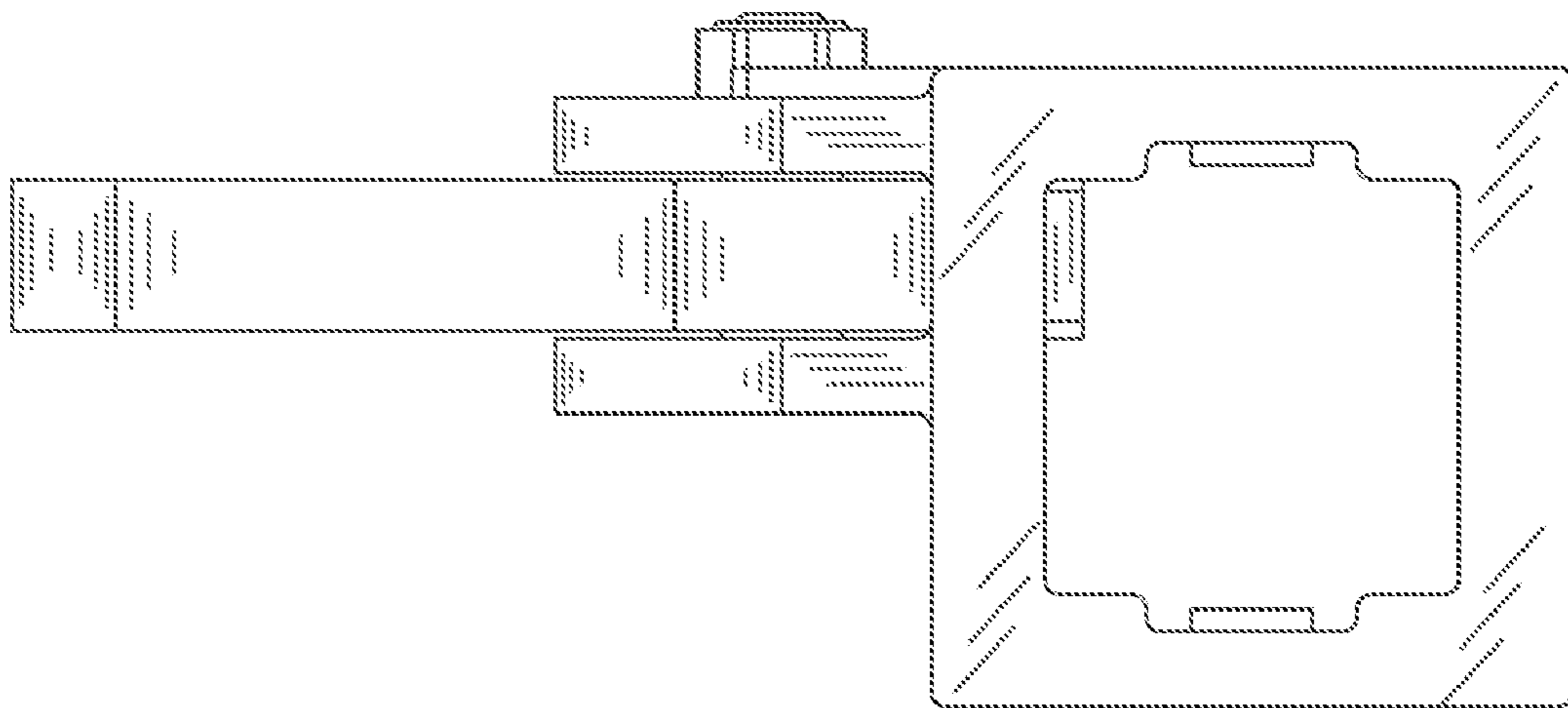


FIG. 5

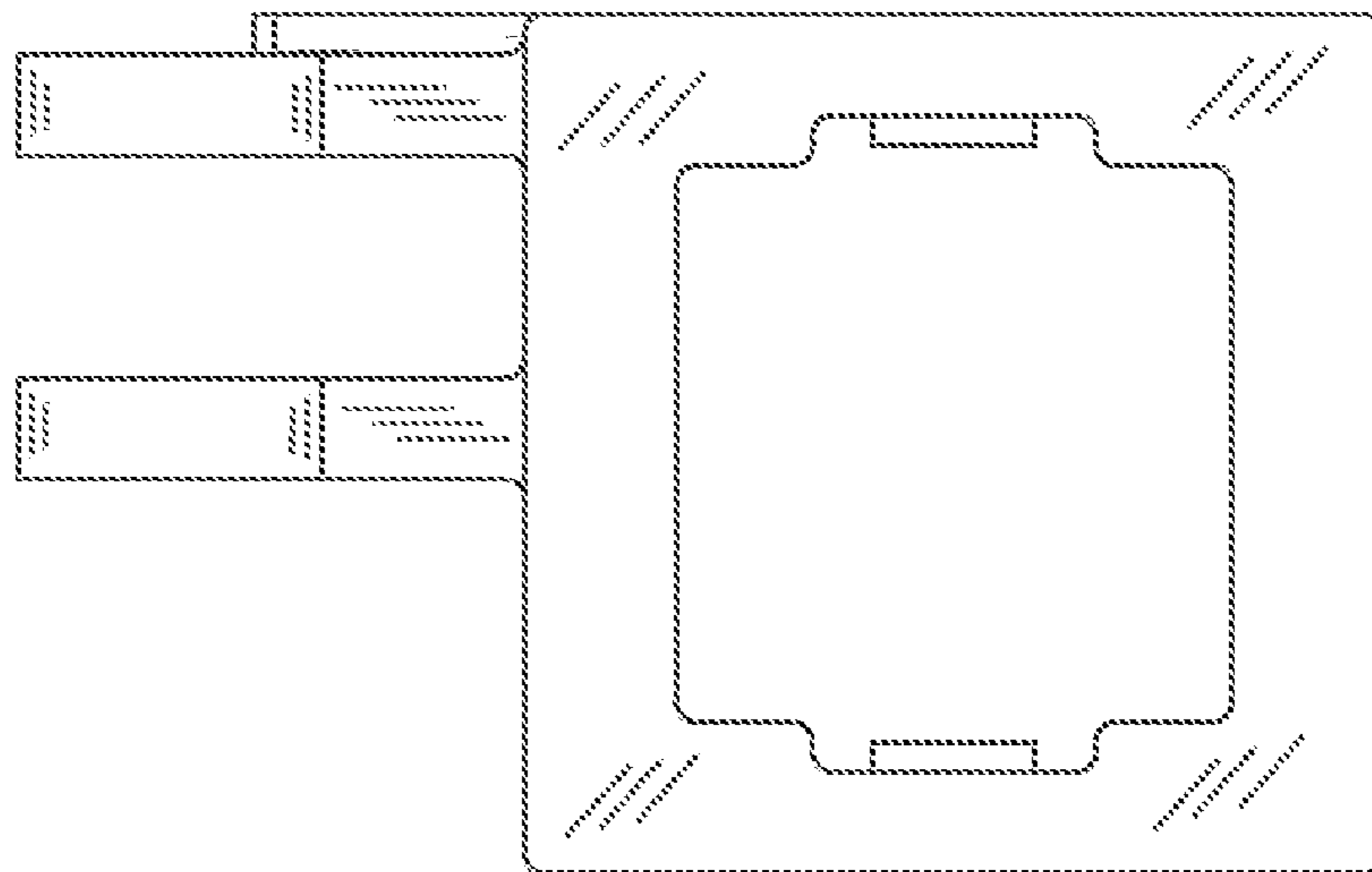


FIG. 6

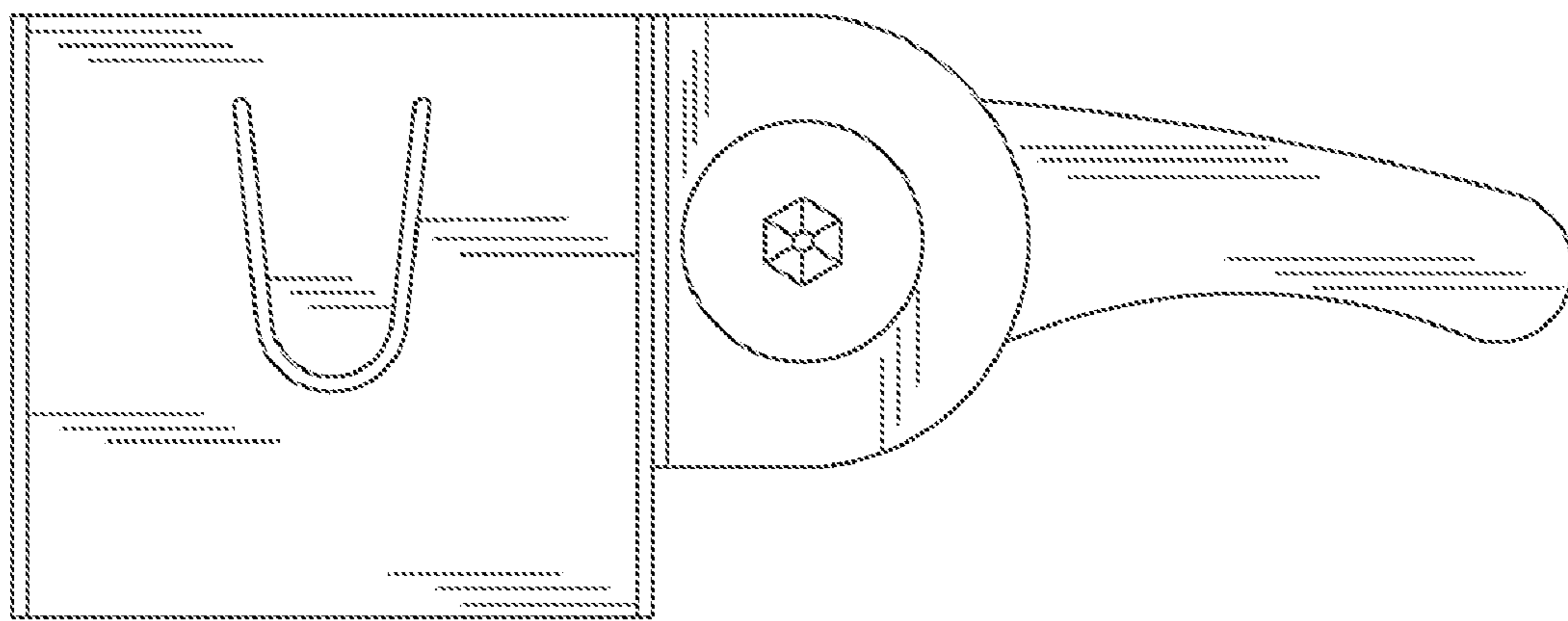


FIG. 7

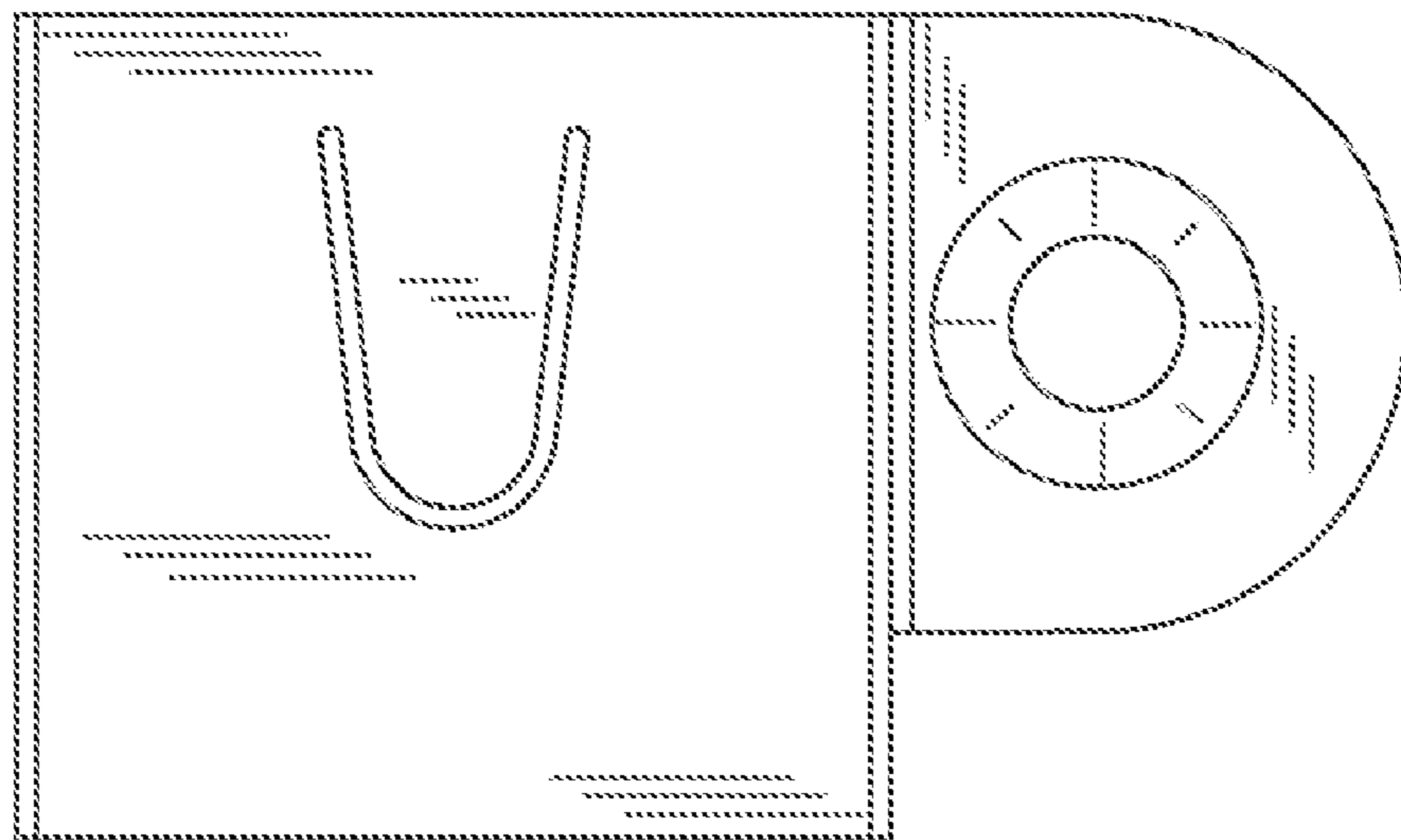


FIG. 8

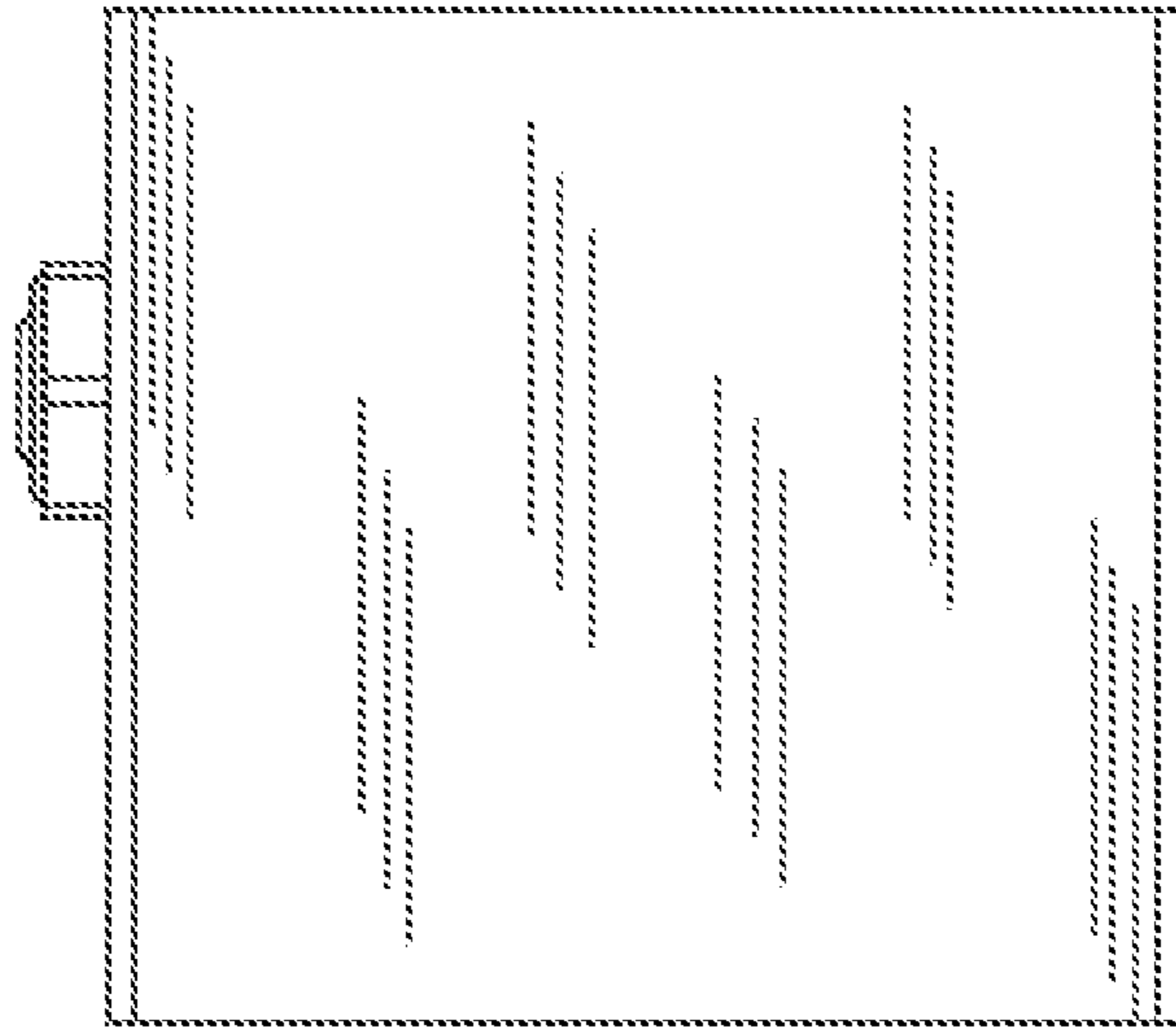


FIG. 9

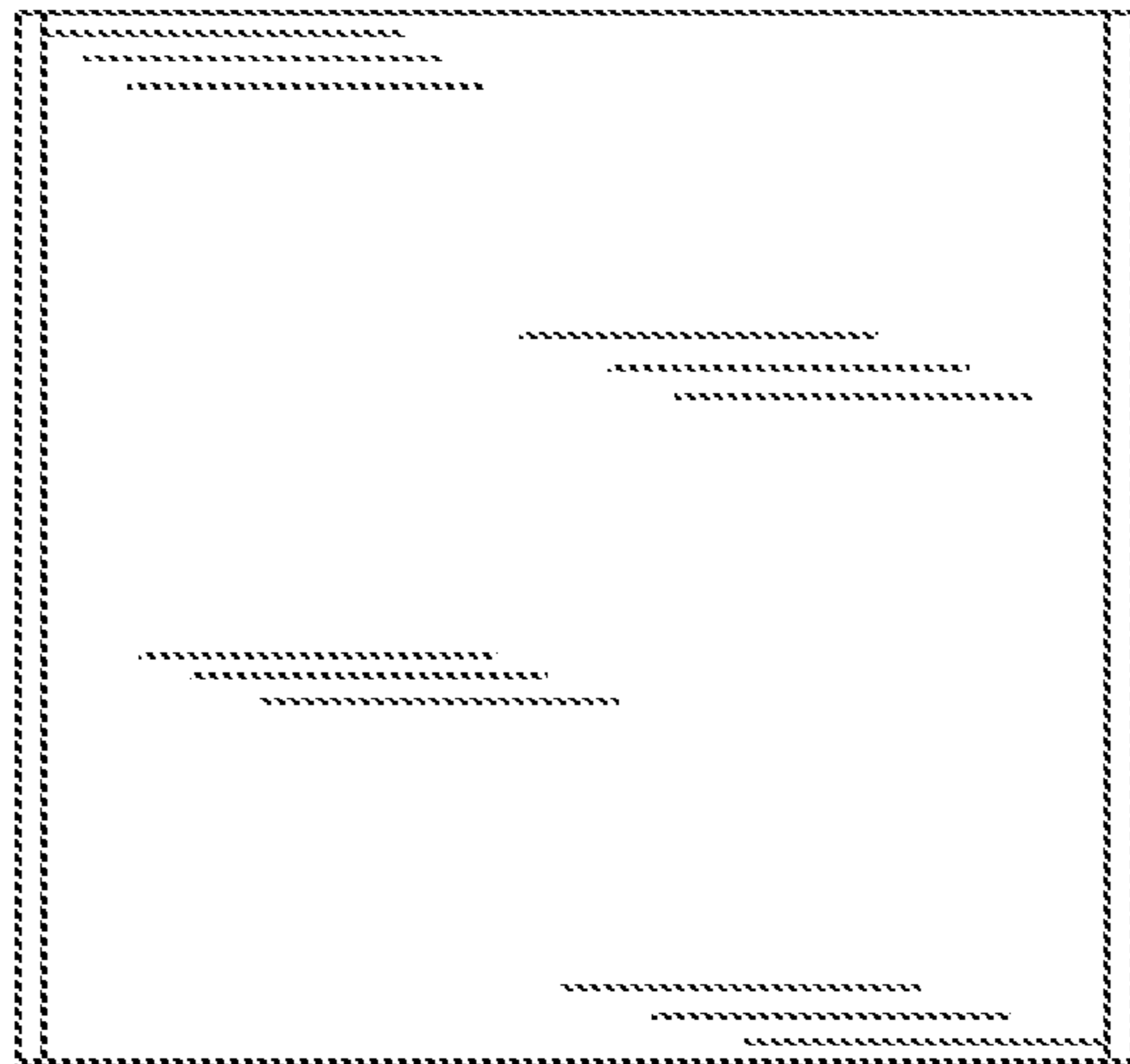


FIG. 10

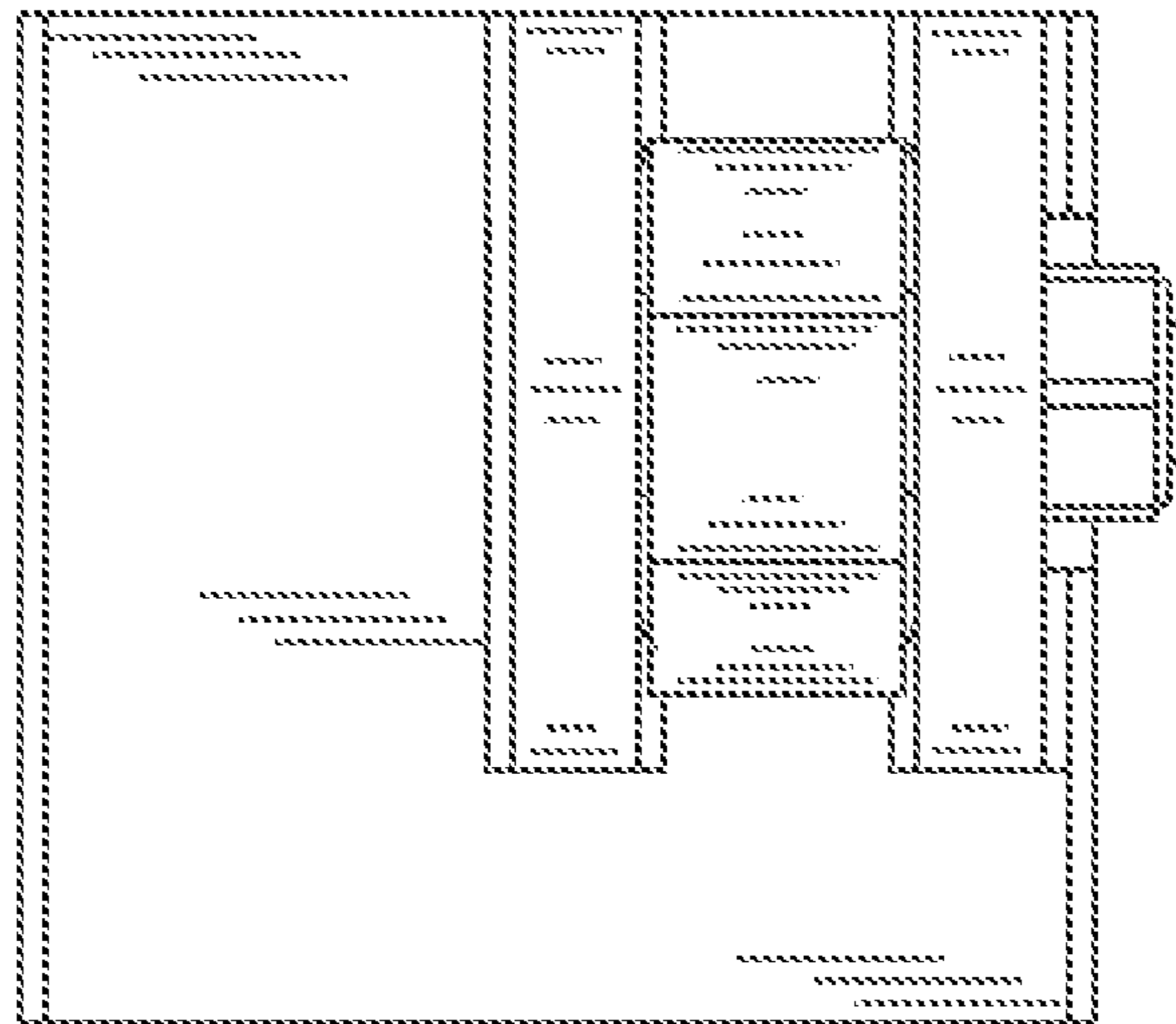


FIG. 11

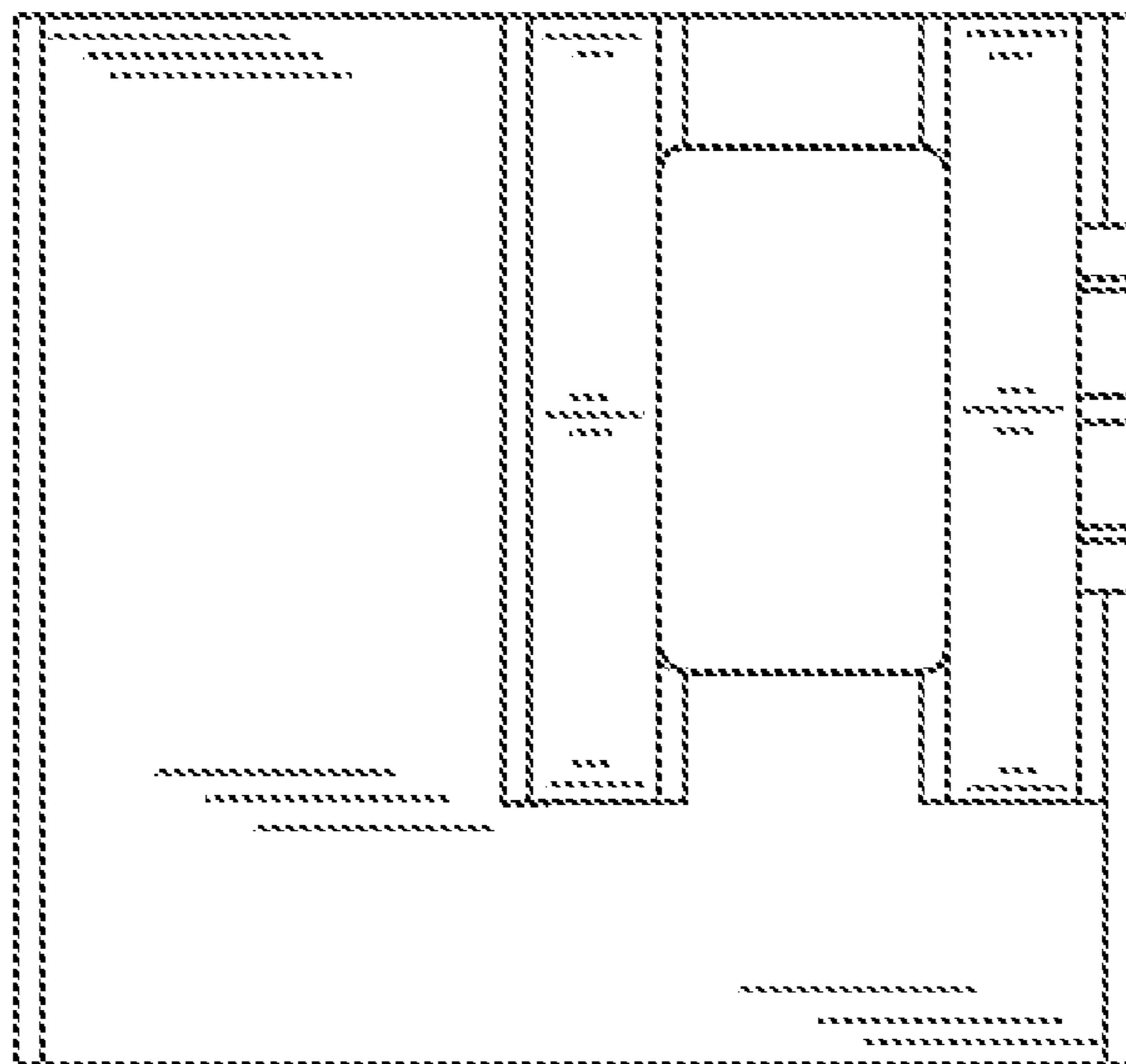


FIG. 12

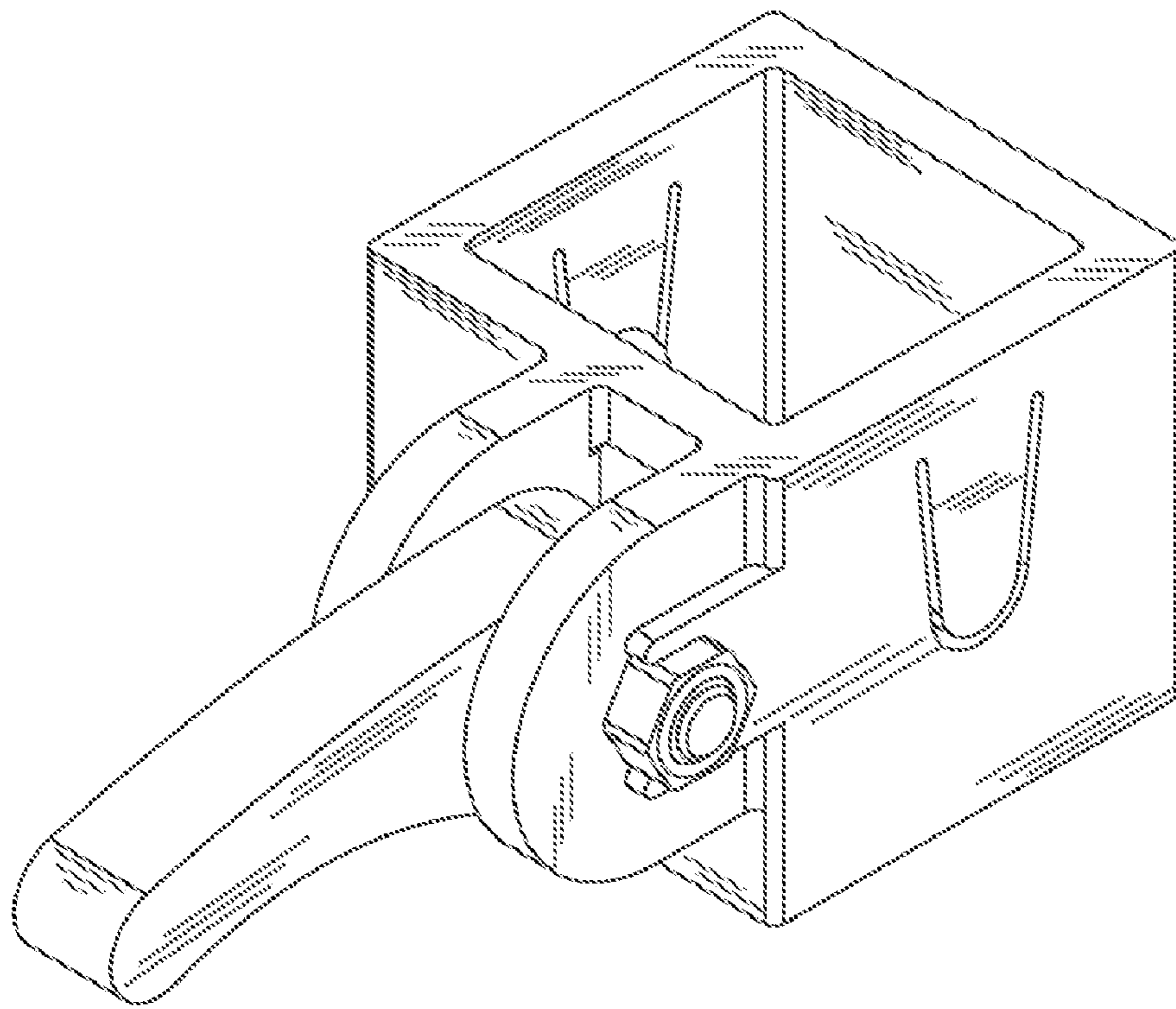


FIG. 13

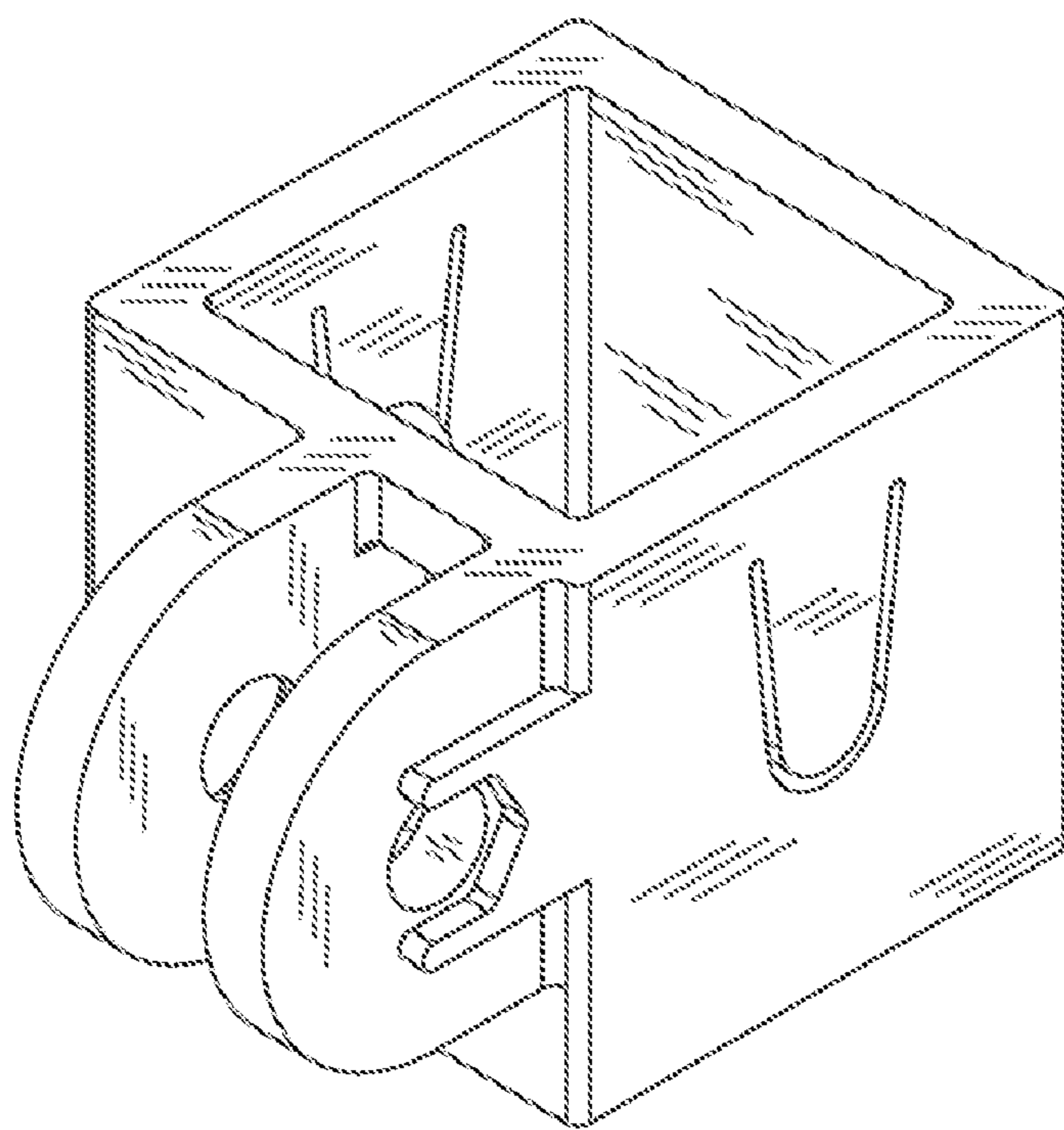


FIG. 14

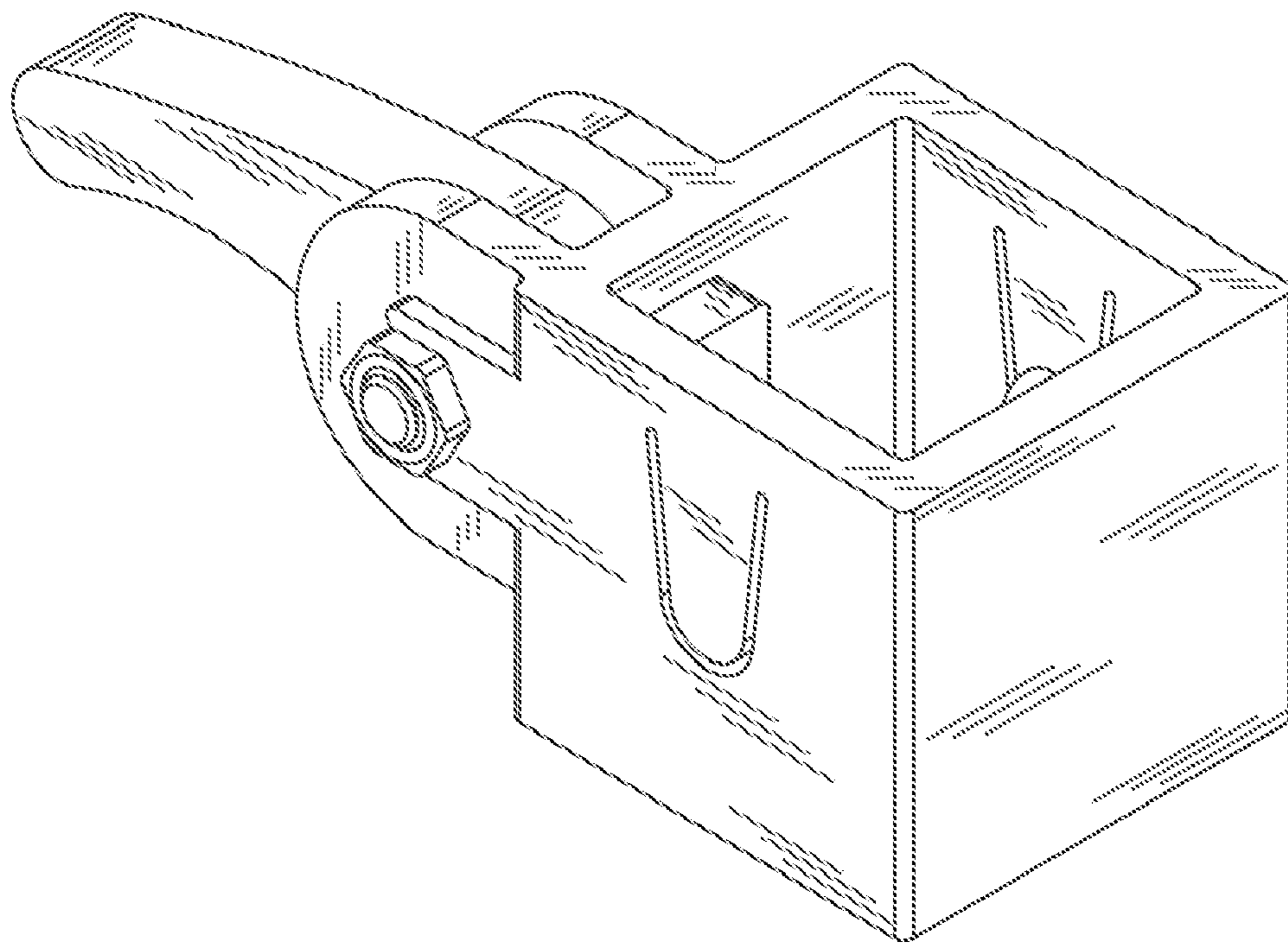


FIG. 15

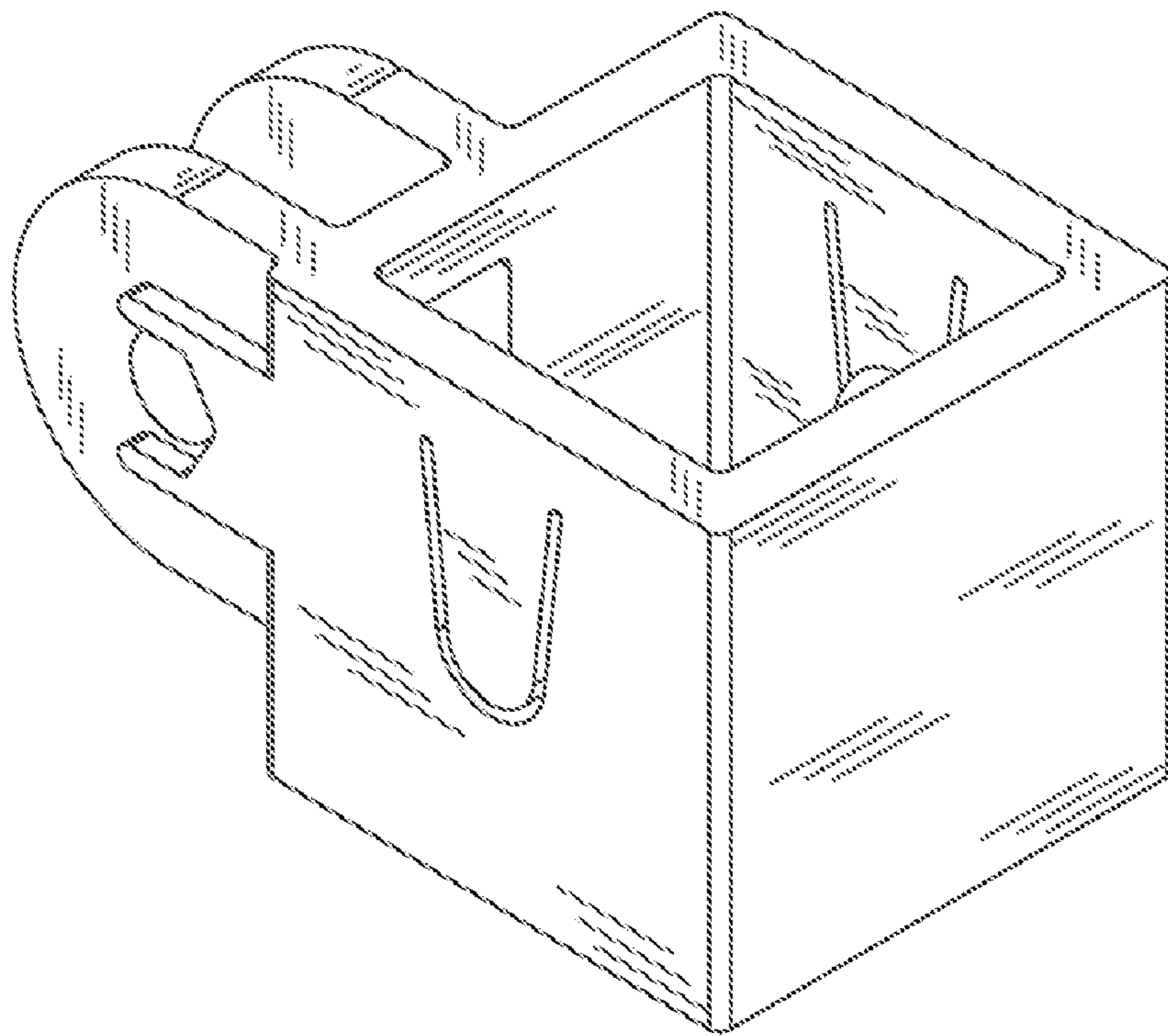


FIG. 16

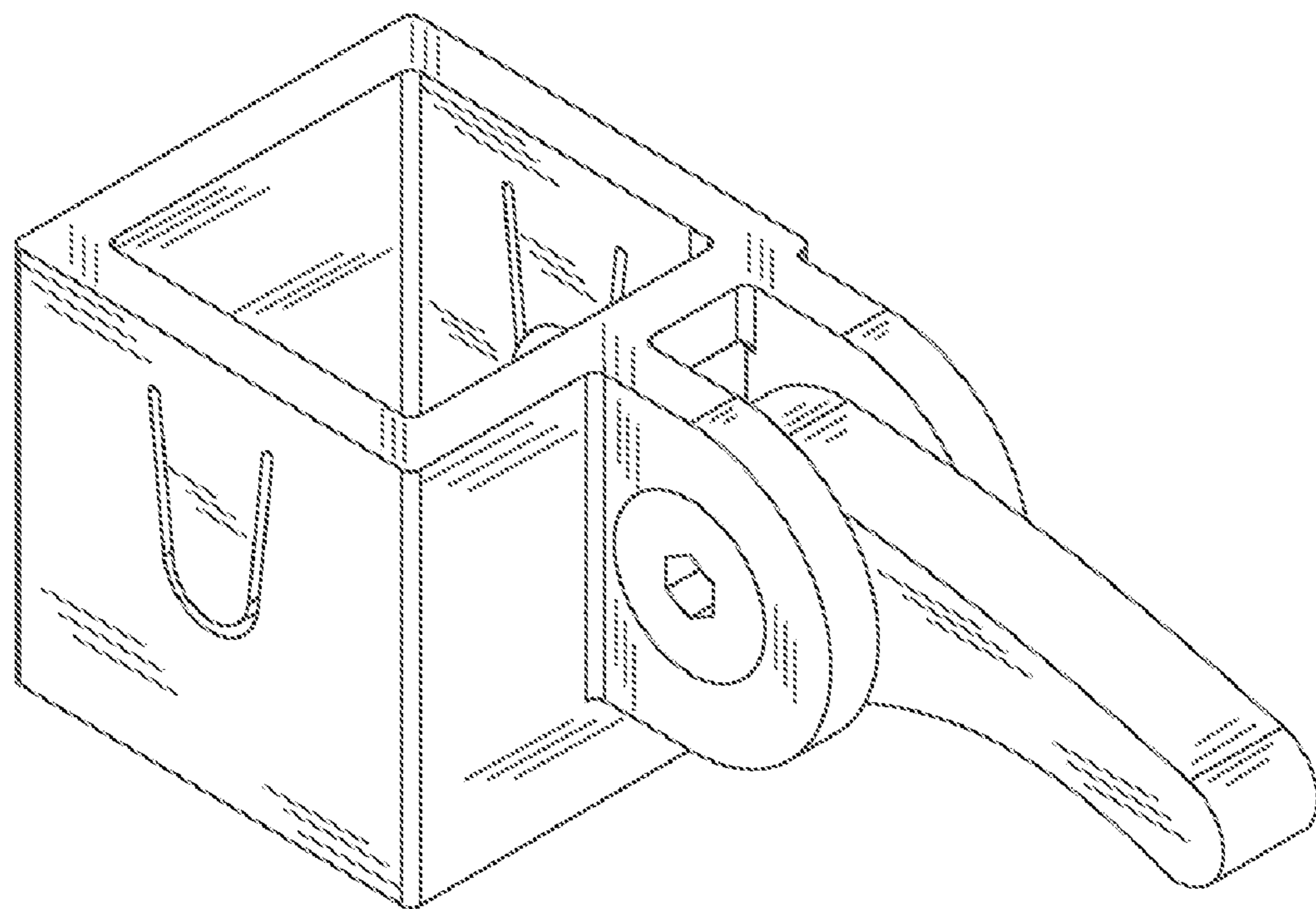


FIG. 17

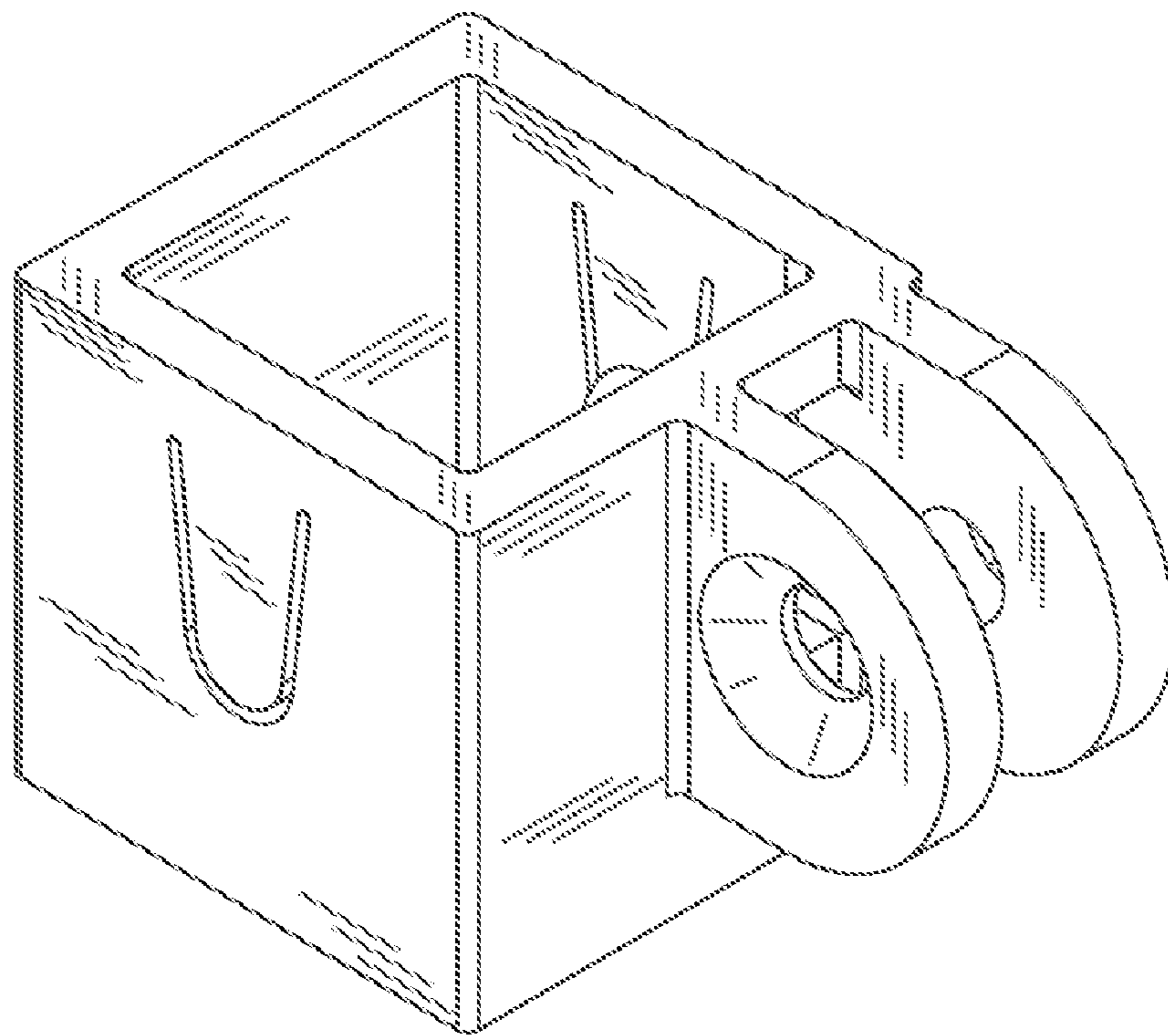


FIG. 18

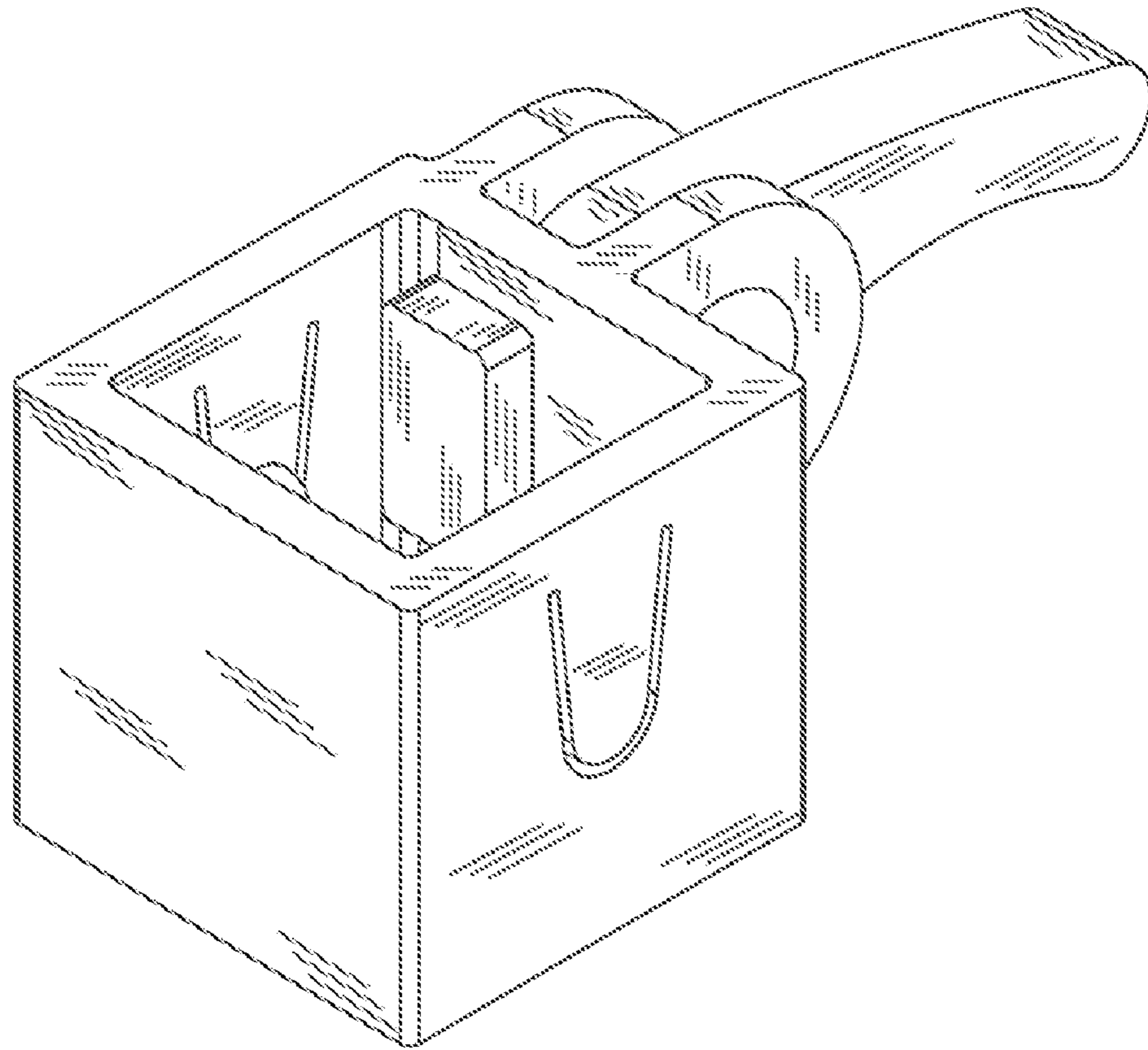


FIG. 19

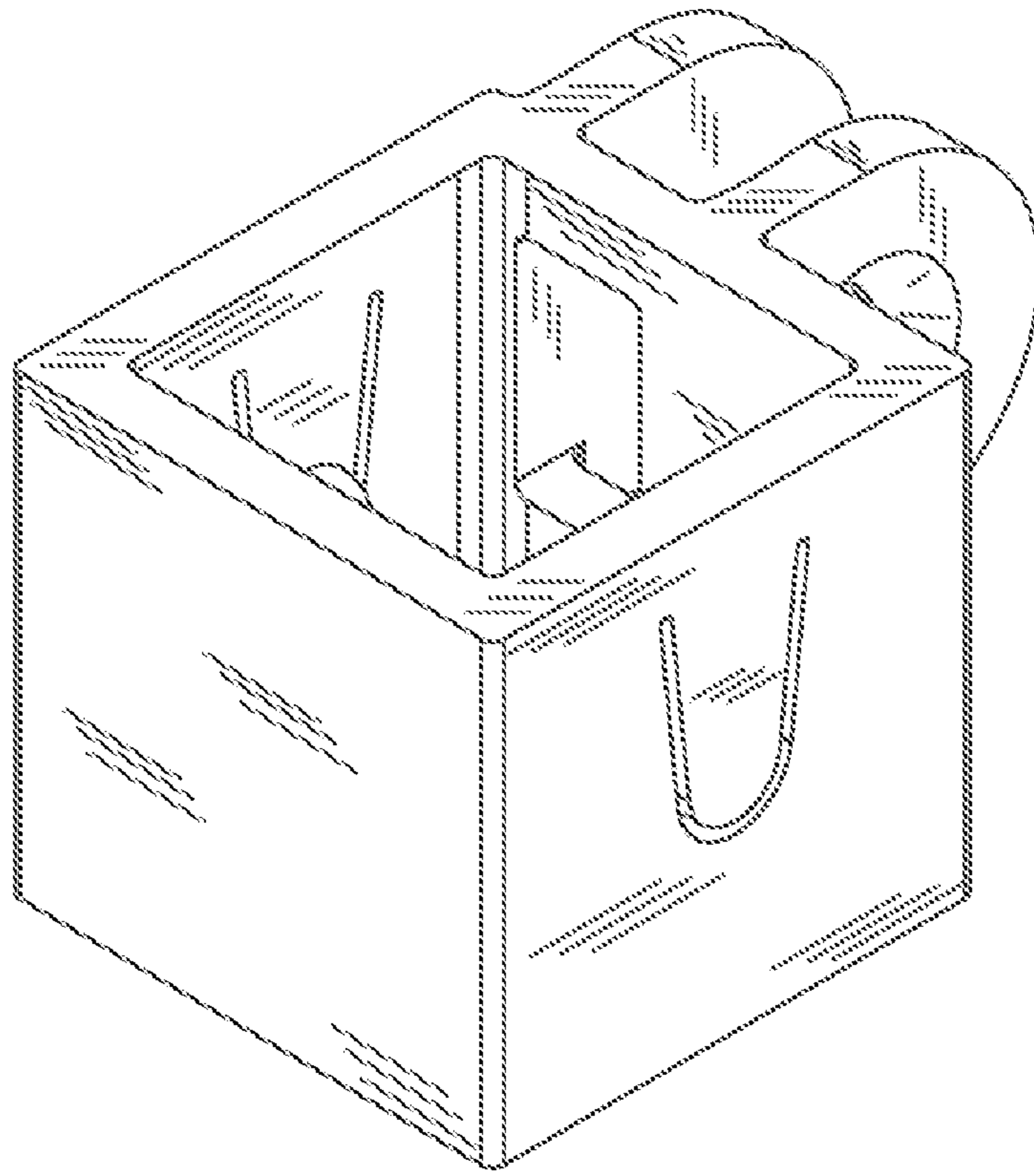


FIG. 20

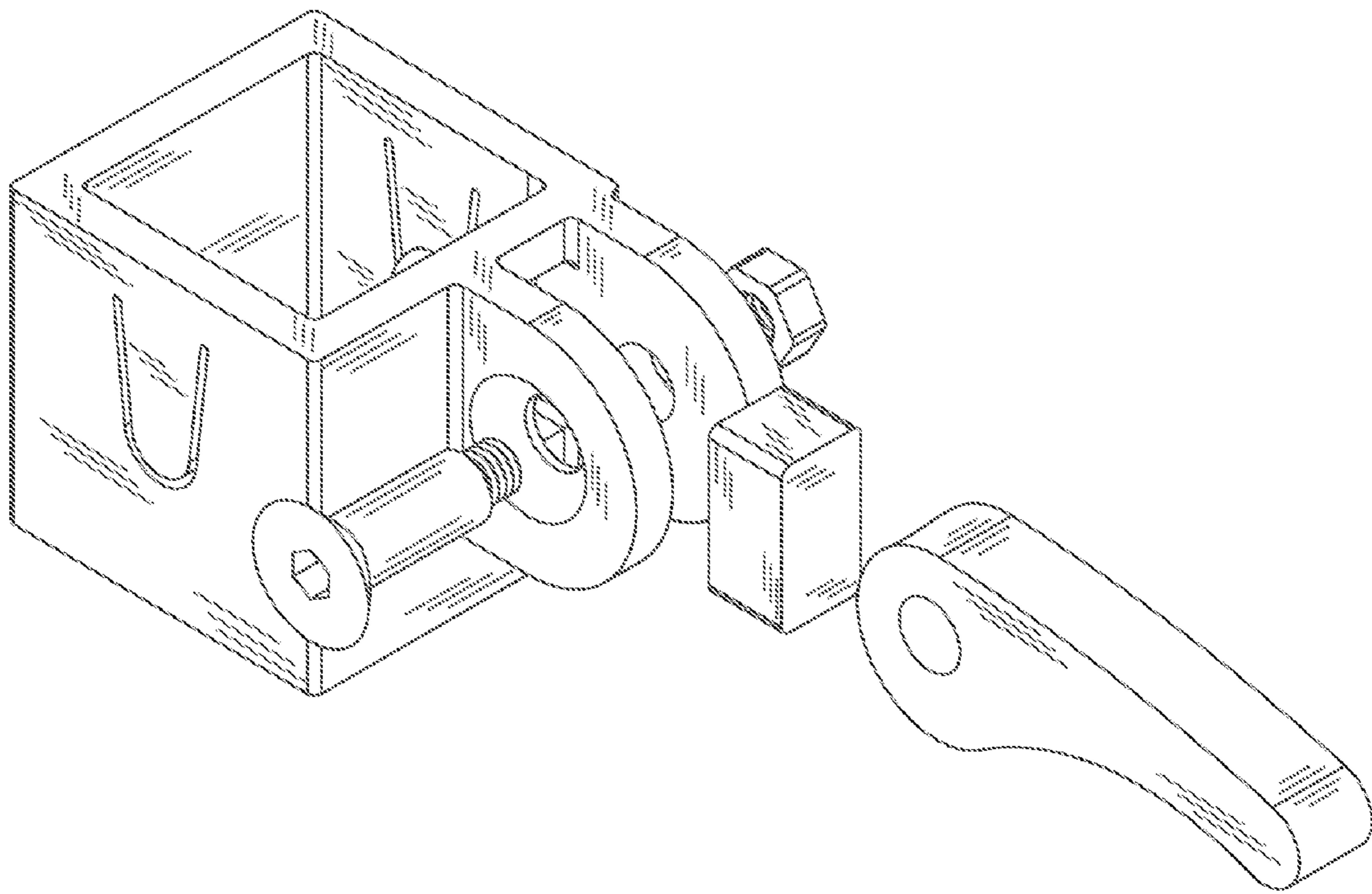


FIG. 21