



US00D617179S

(12) **United States Design Patent**
VanElverdinghe

(10) **Patent No.:** **US D617,179 S**
(45) **Date of Patent:** **** Jun. 8, 2010**

(54) **CANOPY TOP FITTING**

(76) Inventor: **Jeffry L. VanElverdinghe**, 4537 SW.
164th Pl., Beaverton, OR (US) 97007

(**) Term: **14 Years**

(21) Appl. No.: **29/334,009**

(22) Filed: **Mar. 18, 2009**

(51) **LOC (9) Cl.** **08-08**

(52) **U.S. Cl.** **D8/382**

(58) **Field of Classification Search** D8/382,
D8/354, 396; D6/491; D23/262; 403/305,
403/388; D21/839; 135/99, 121, 120.3,
135/145, 114, 131, 140

See application file for complete search history.

(56) **References Cited**

U.S. PATENT DOCUMENTS

2,839,320	A *	6/1958	Hill	403/172
4,129,975	A *	12/1978	Gabriel	52/655.2
5,511,572	A	4/1996	Carter		
D412,102	S *	7/1999	Murakami	D8/382
5,944,040	A	8/1999	Jang		
6,076,312	A	6/2000	Carter		
6,230,729	B1	5/2001	Carter		
6,283,136	B1	9/2001	Chen		
6,363,956	B2	4/2002	Carter		
6,382,224	B1	5/2002	Carter		
6,520,196	B2	2/2003	Carter		
6,701,949	B2	3/2004	Carter		
6,712,083	B2	3/2004	Carter		
6,926,021	B2	8/2005	Carter		
D512,477	S *	12/2005	Diaz	D21/839
6,981,510	B2	1/2006	Carter		
7,051,745	B2	5/2006	Carter		
D533,914	S *	12/2006	Diaz	D21/839
7,178,541	B2	2/2007	Carter		
7,178,542	B2	2/2007	Carter		
7,240,687	B2	7/2007	Carter		
D559,665	S *	1/2008	Terada et al.	D8/382

7,363,922	B2	4/2008	Carter		
D576,026	S *	9/2008	Mazzocco	D8/382
D582,181	S *	12/2008	Gasser	D6/491
D598,735	S *	8/2009	Wakasugi et al.	D8/382

* cited by examiner

Primary Examiner—Holly H Baynham

Assistant Examiner—Sheryl Lane

(74) *Attorney, Agent, or Firm*—Joseph P. Curtin, L.L.C.

(57) **CLAIM**

The ornamental design for a canopy top fitting, shown and described.

DESCRIPTION

FIG. 1 is a top view of a canopy top fitting according to the subject matter disclosed herein;

FIG. 2 is a back view of a canopy top fitting according to the subject matter disclosed herein;

FIG. 3 is a bottom view of a canopy top fitting according to the subject matter disclosed herein;

FIG. 4 is a front view of a canopy top fitting according to the subject matter disclosed herein;

FIG. 5 is a left side view of a canopy top fitting according to the subject matter disclosed herein;

FIG. 6 is a right side view of a canopy top fitting according to the subject matter disclosed herein;

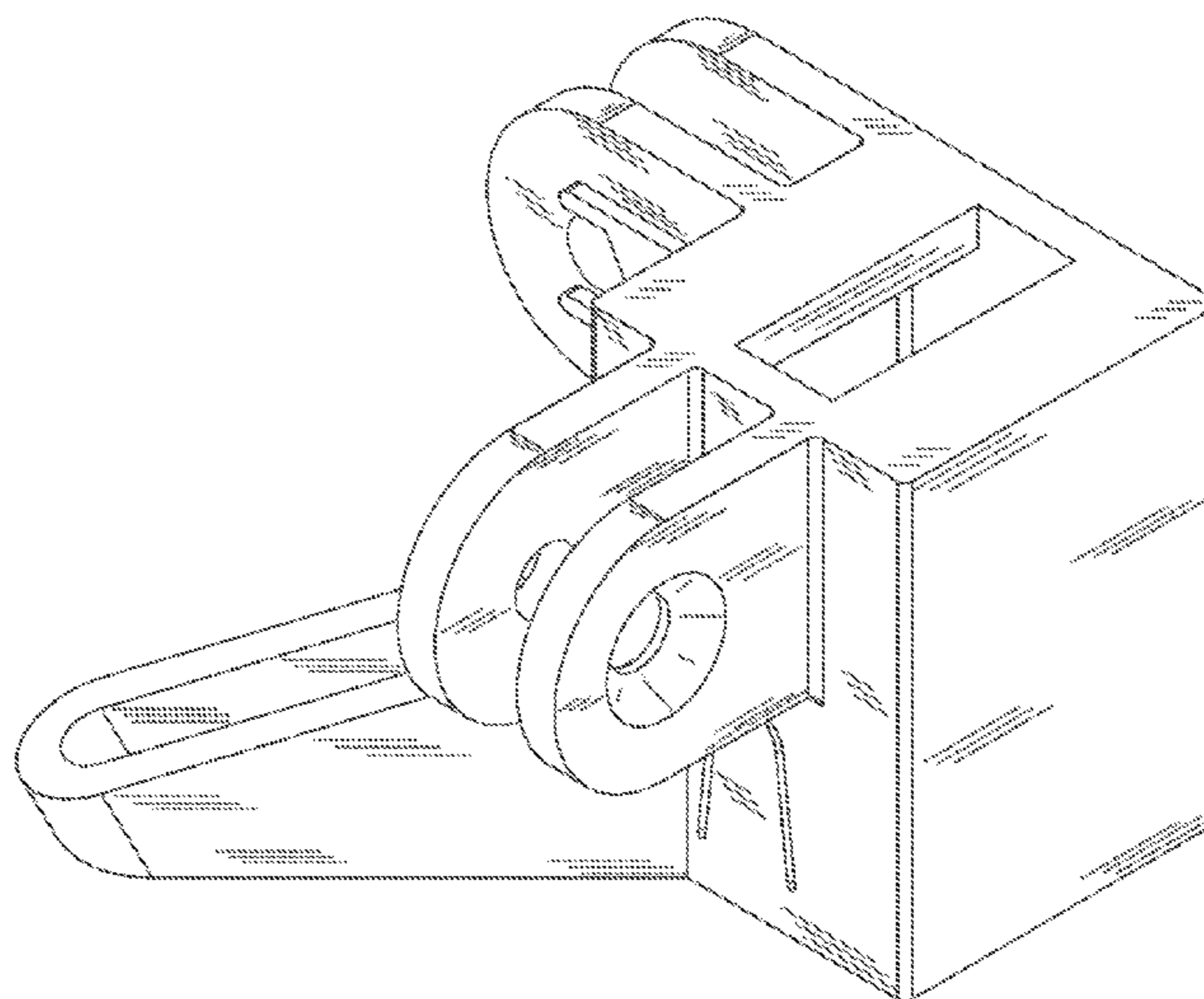
FIG. 7 is a northeast isometric view of a canopy top fitting according to the subject matter disclosed herein;

FIG. 8 is a northwest isometric view of a canopy top fitting according to the subject matter disclosed herein;

FIG. 9 is a southeast isometric view of a canopy top fitting according to the subject matter disclosed herein; and,

FIG. 10 is a southwest isometric view of a canopy top fitting according to the subject matter disclosed herein.

1 Claim, 10 Drawing Sheets



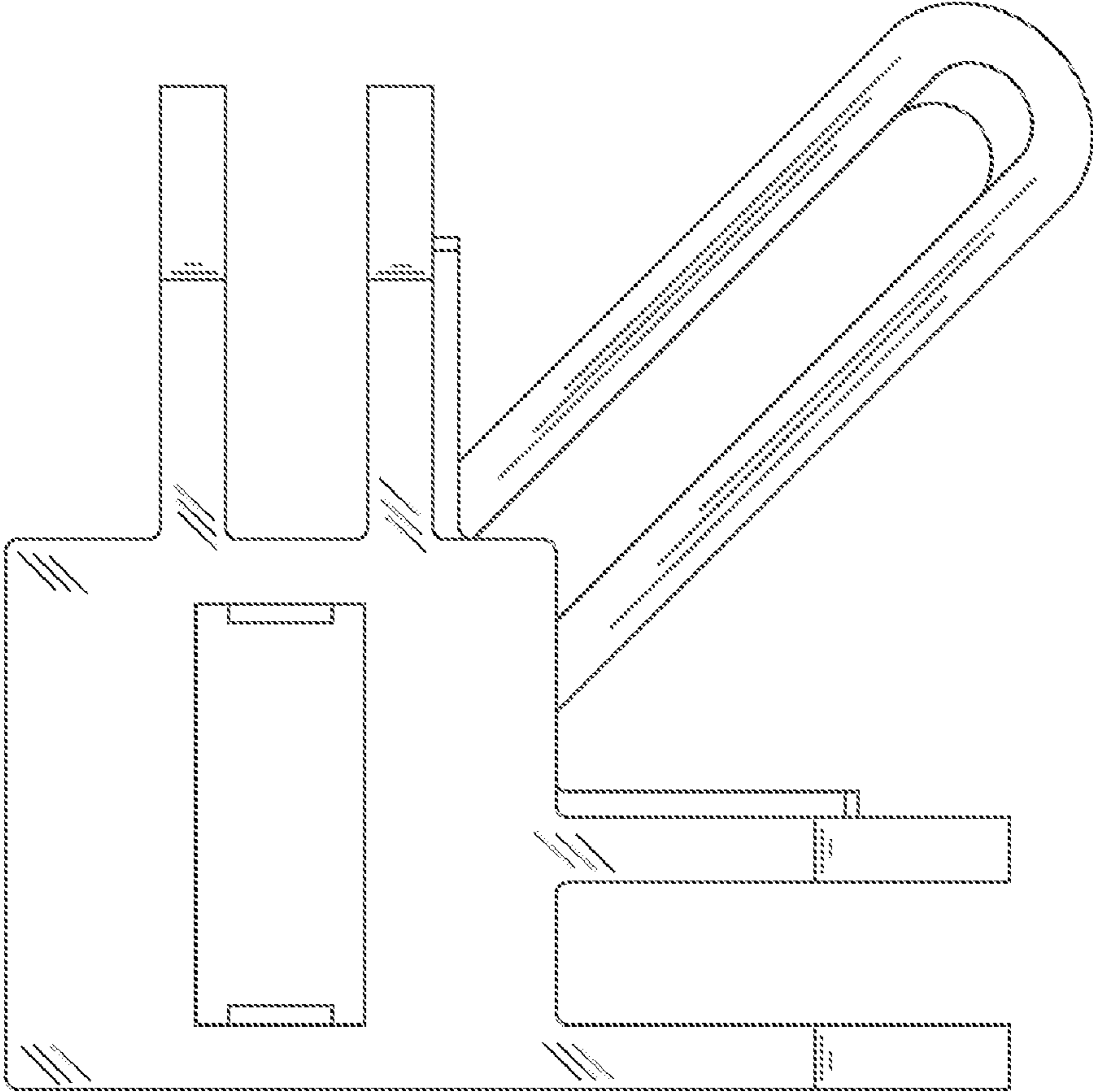


FIG. 1

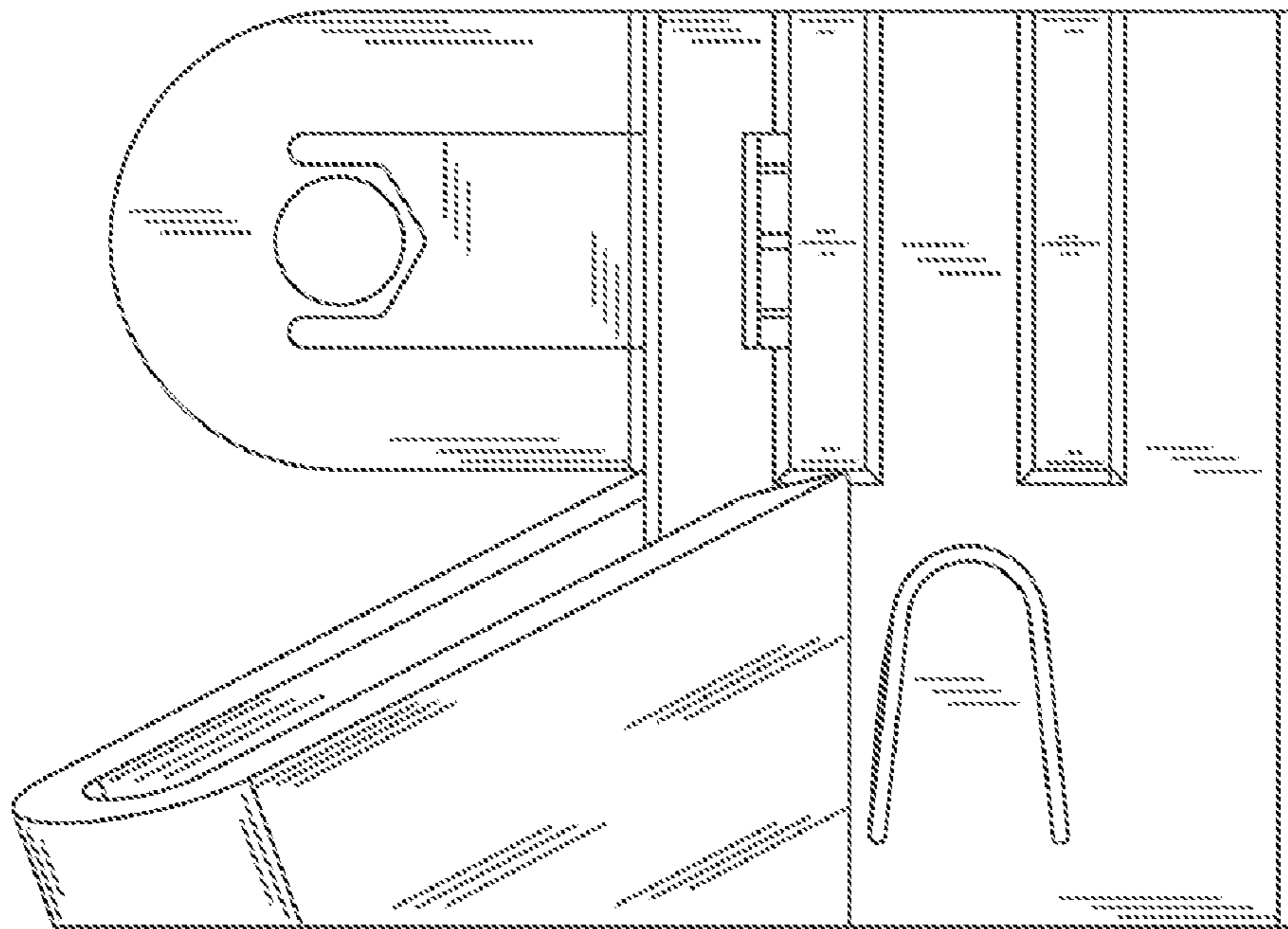


FIG. 2

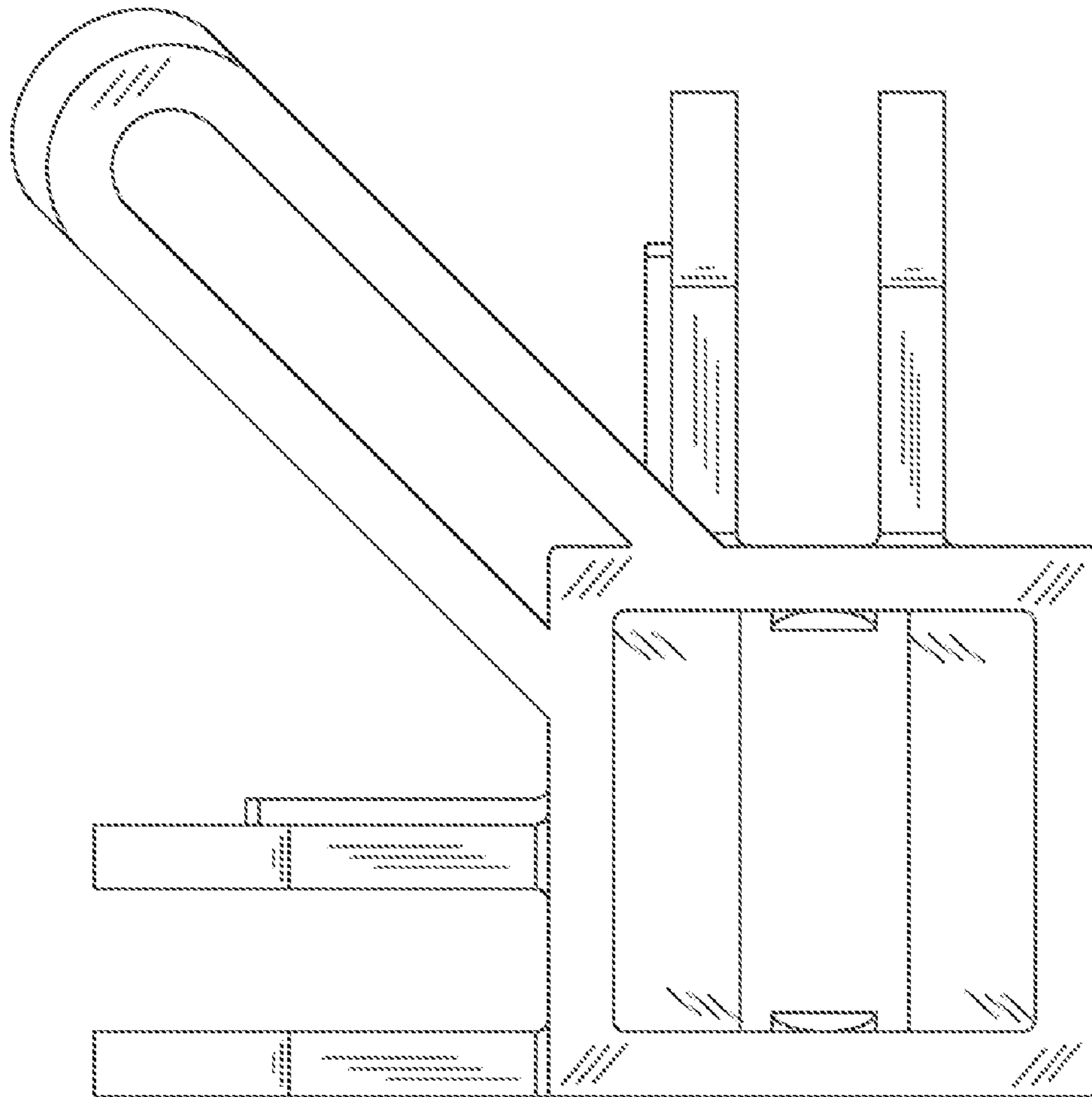


FIG. 3

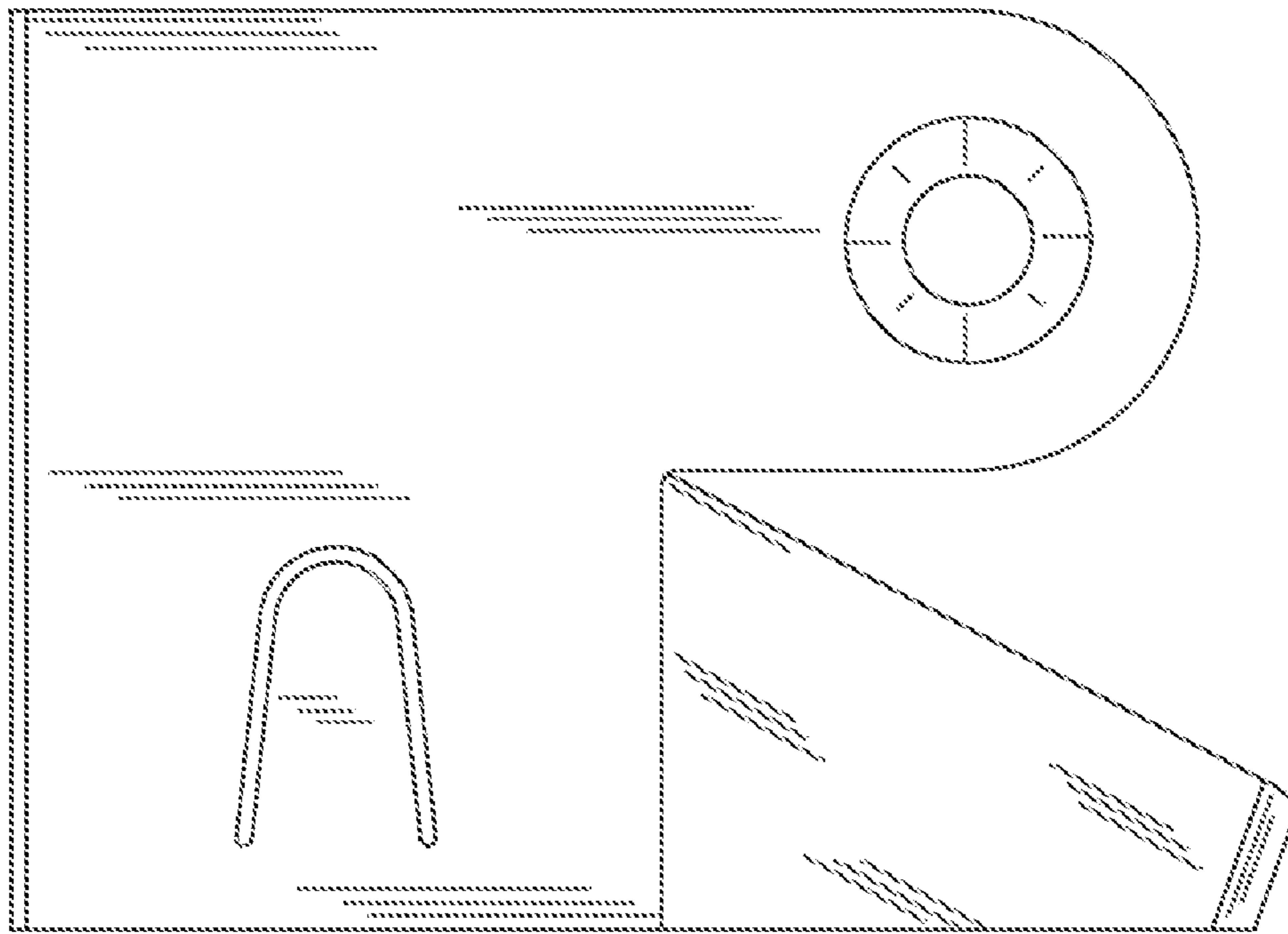


FIG. 4

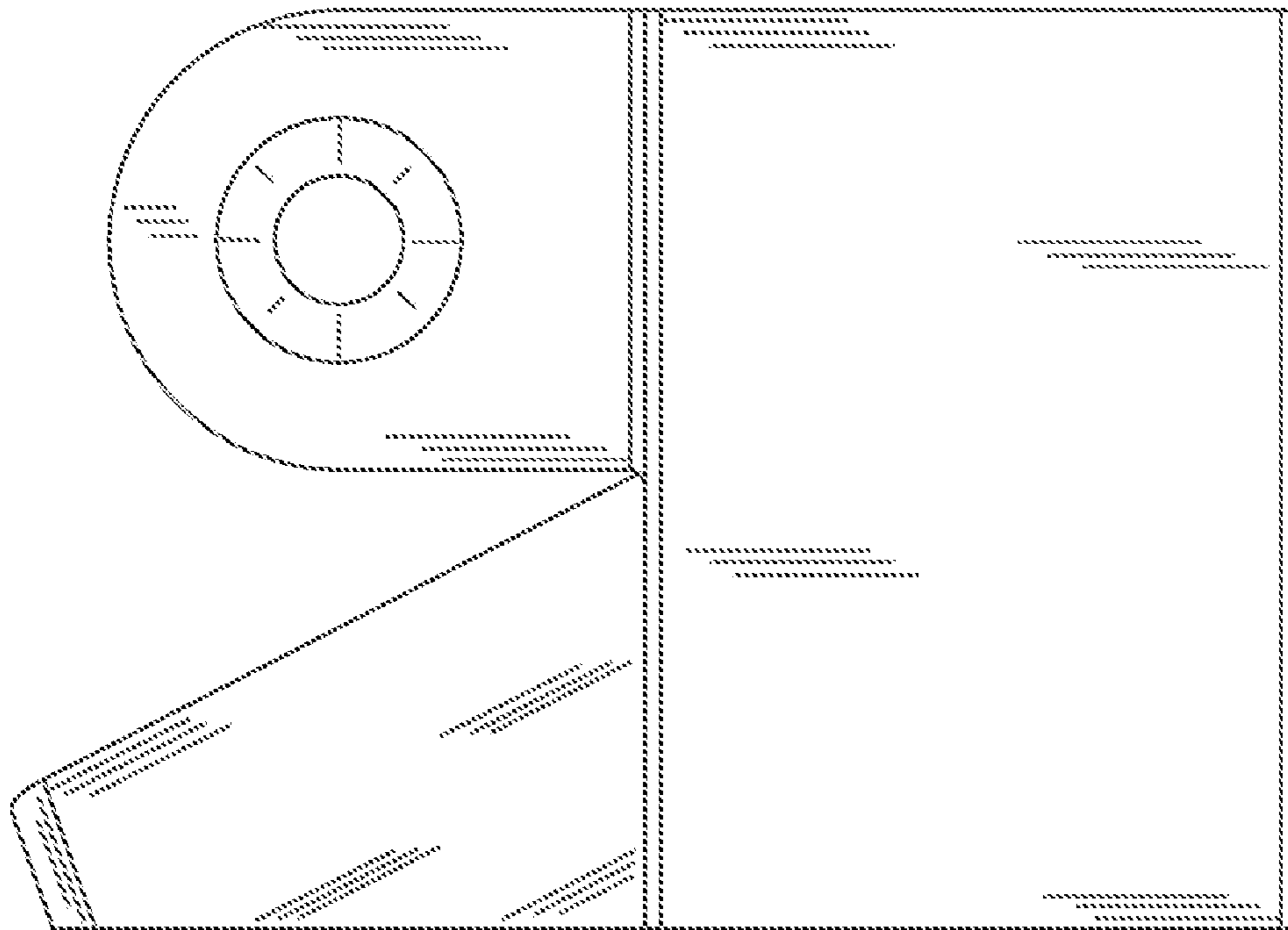


FIG. 5

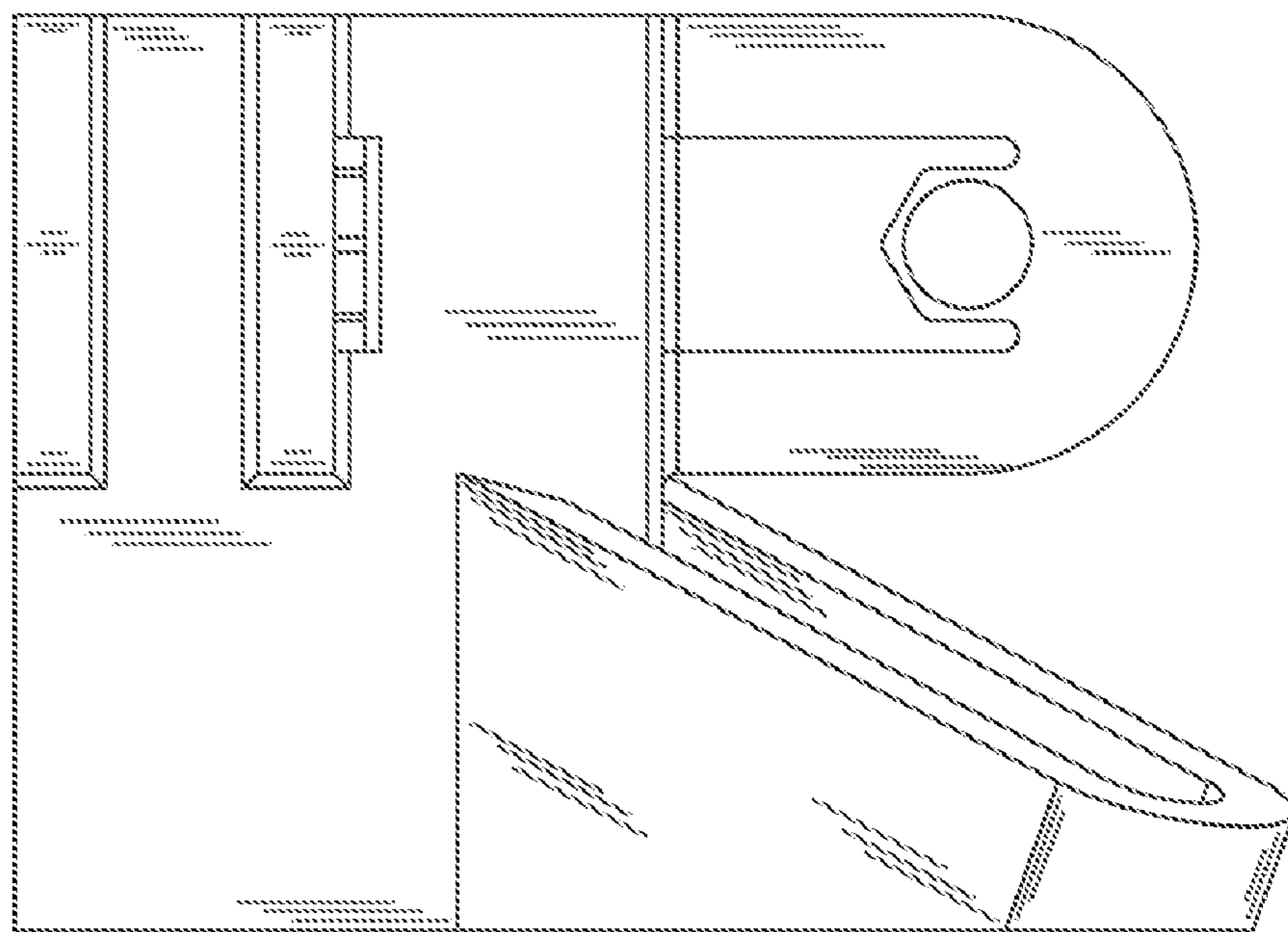


FIG. 6

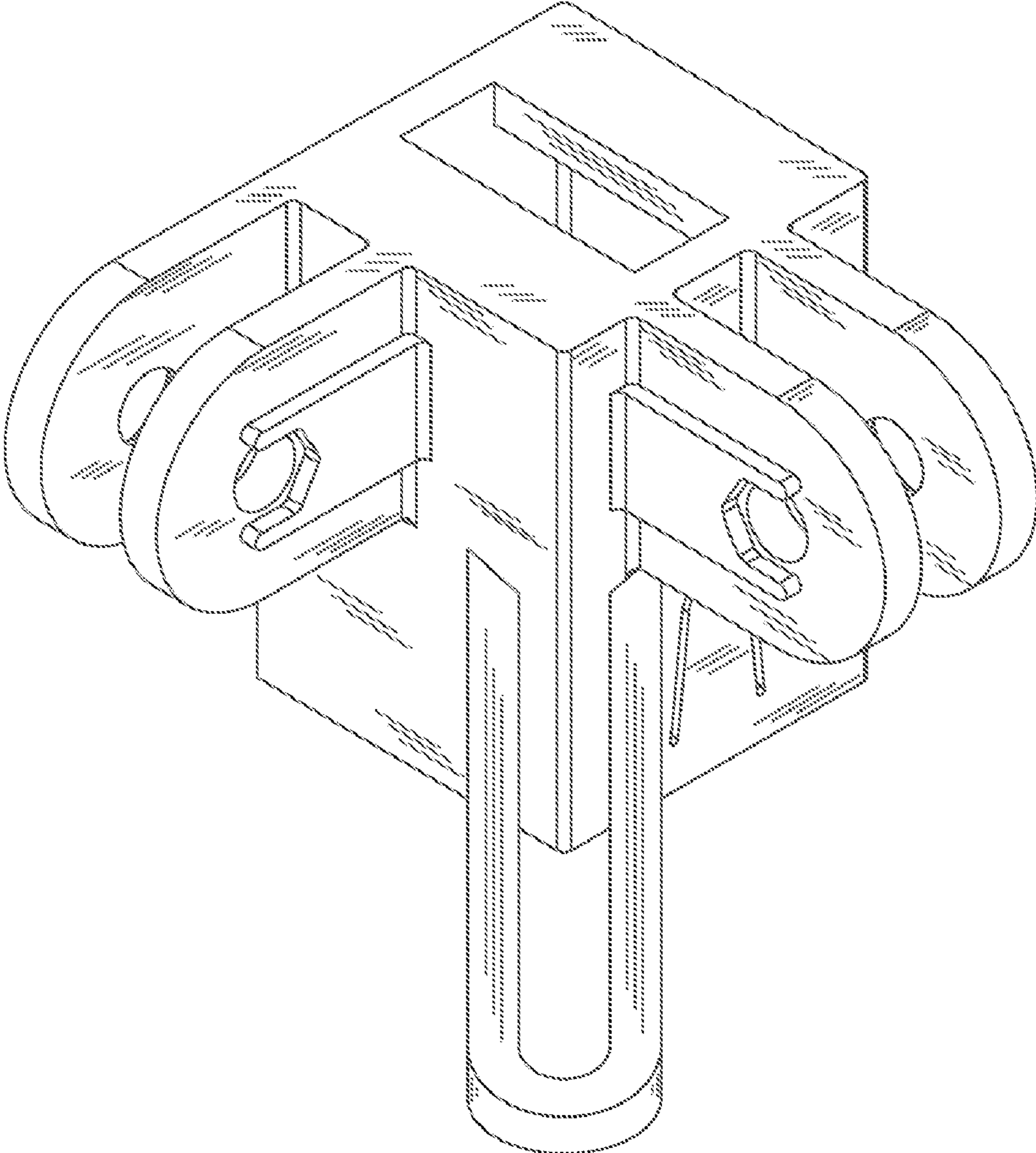


FIG. 7

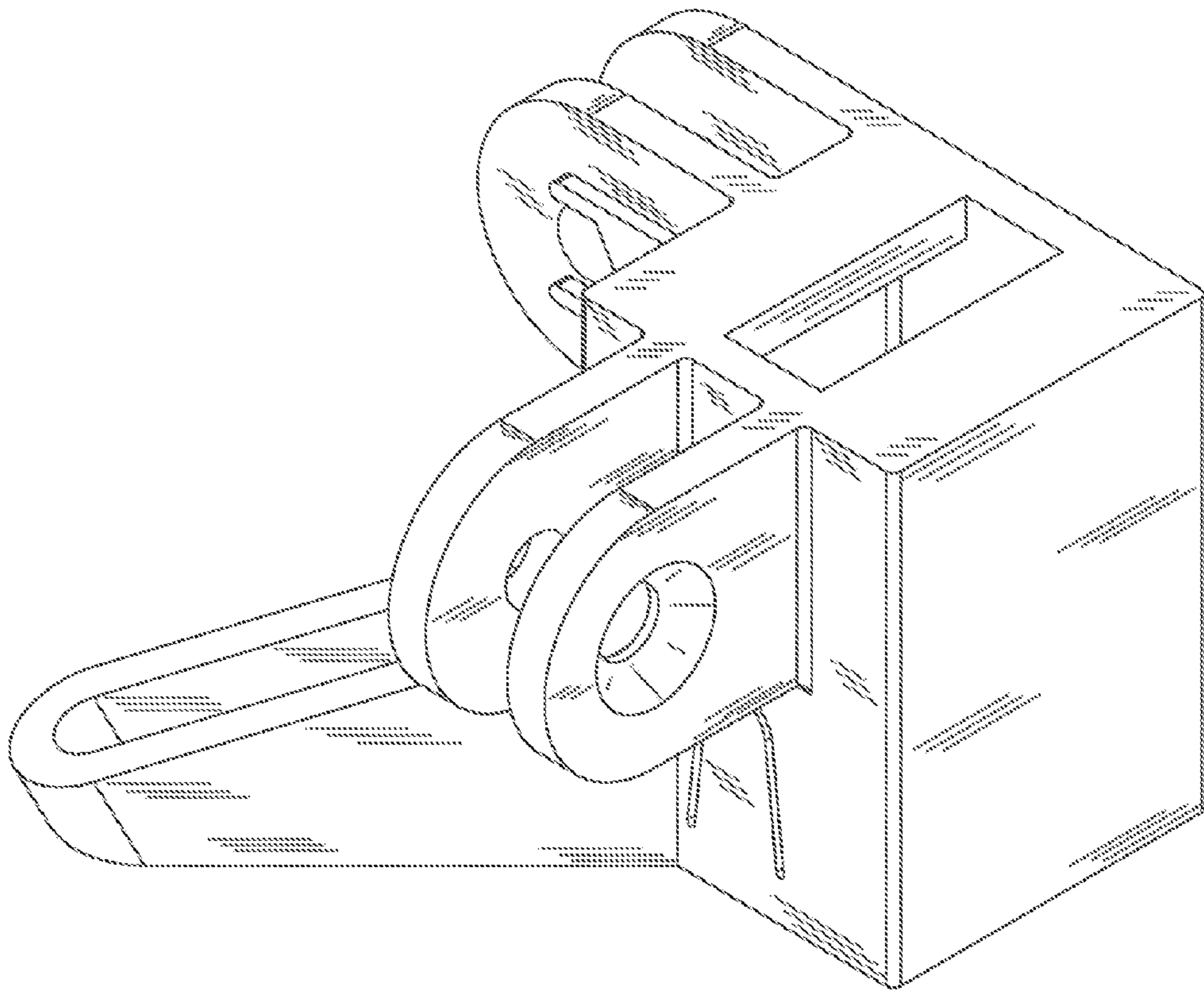


FIG. 8

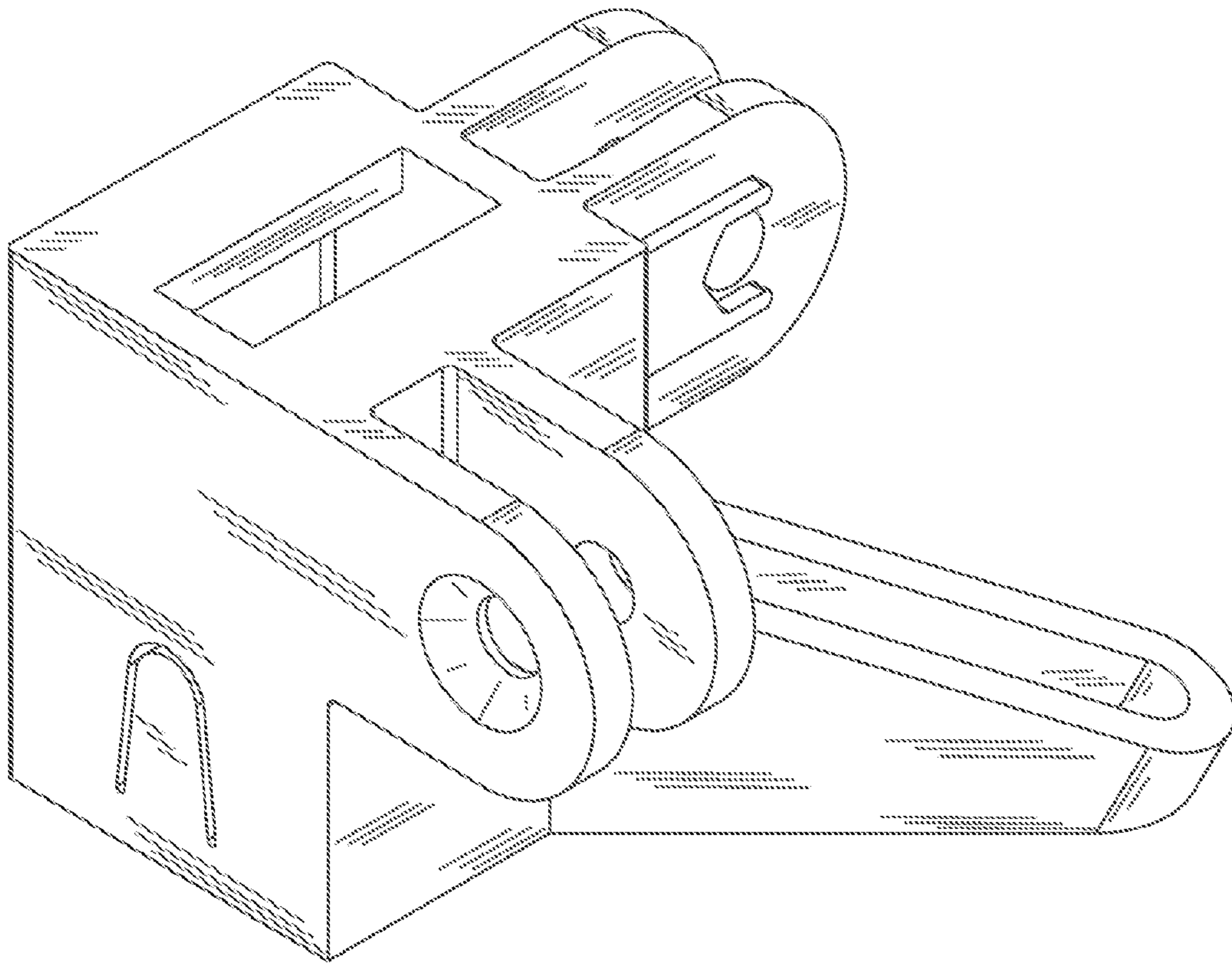


FIG. 9

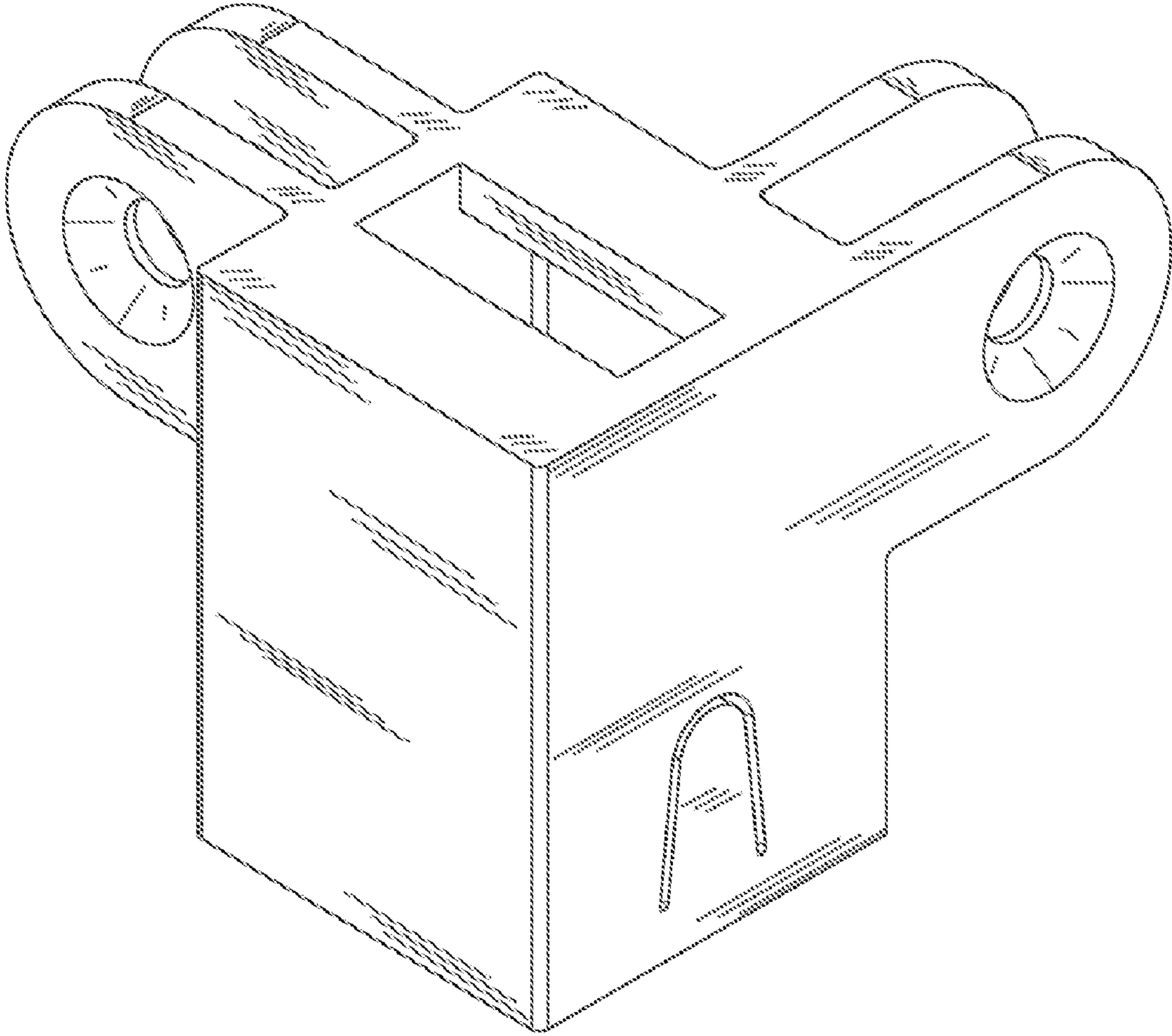


FIG. 10