



US00D617178S

(12) **United States Design Patent**  
**Sakai**

(10) **Patent No.:** **US D617,178 S**  
(45) **Date of Patent:** **\*\* Jun. 8, 2010**

(54) **ELECTRONIC HOLE-PLUG**

(75) Inventor: **Masaru Sakai, Yao (JP)**

(73) Assignee: **Nifco Inc., Yokohama-shi, Kanagawa (JP)**

(\*\*) Term: **14 Years**

(21) Appl. No.: **29/311,472**

(22) Filed: **Mar. 27, 2009**

(30) **Foreign Application Priority Data**

Sep. 30, 2008 (JP) ..... 2008-24953

(51) **LOC (9) Cl.** ..... **08-08**

(52) **U.S. Cl.** ..... **D8/382; D14/432; D14/299; D8/499**

(58) **Field of Classification Search** ..... D14/338-340, D14/346, 347, 356-369, 383-401, 412-417, D14/432-439, 447, 454-457, 496, 511, 203.1, D14/203.3, 217, 218, 238.1, 247, 251, 253, D14/257, 240, 299, 902, 483; D13/123, D13/133, 149, 154, 156, 158, 162-164, 168, D13/169, 171, 173, 174, 146; D8/382-386; 411/500, 508-510

See application file for complete search history.

(56) **References Cited**

**U.S. PATENT DOCUMENTS**

3,722,037 A \* 3/1973 Jaeger ..... 411/508  
3,727,271 A \* 4/1973 Znamirovski ..... 411/508  
D273,091 S \* 3/1984 Kurosaki ..... D8/499

D293,884 S \* 1/1988 Hirohata ..... D8/386  
4,787,795 A \* 11/1988 Kraus ..... 411/510  
4,823,978 A \* 4/1989 Pufpaff ..... 411/509  
5,592,719 A \* 1/1997 Eto et al. .... 411/510  
D410,194 S \* 5/1999 Hilton et al. .... D8/382  
6,209,178 B1 \* 4/2001 Wiese et al. .... 411/508  
D490,767 S \* 6/2004 Nagasawa et al. .... D12/400  
7,347,655 B2 \* 3/2008 Nagasawa et al. .... 411/508  
7,581,361 B1 \* 9/2009 Murkland ..... 52/169.5  
D601,567 S \* 10/2009 Lau ..... D14/432

\* cited by examiner

*Primary Examiner*—Cathron C Brooks

*Assistant Examiner*—Deanna Fluegeman

(74) *Attorney, Agent, or Firm*—Manabu Kanesaka

(57) **CLAIM**

The ornamental design for an electronic hole-plug, as shown and described.

**DESCRIPTION**

FIG. 1 is a front view of an electronic hole-plug showing my new design, a rear view being symmetrical to the front view;

FIG. 2 is a plan view thereof;

FIG. 3 is a bottom view thereof;

FIG. 4 is a right side view thereof;

FIG. 5 is a left side view thereof;

FIG. 6 is a sectional view thereof taken along line 6—6 in FIG. 2; and,

FIG. 7 is a sectional view thereof taken along line 7—7 in FIG. 2.

**1 Claim, 4 Drawing Sheets**

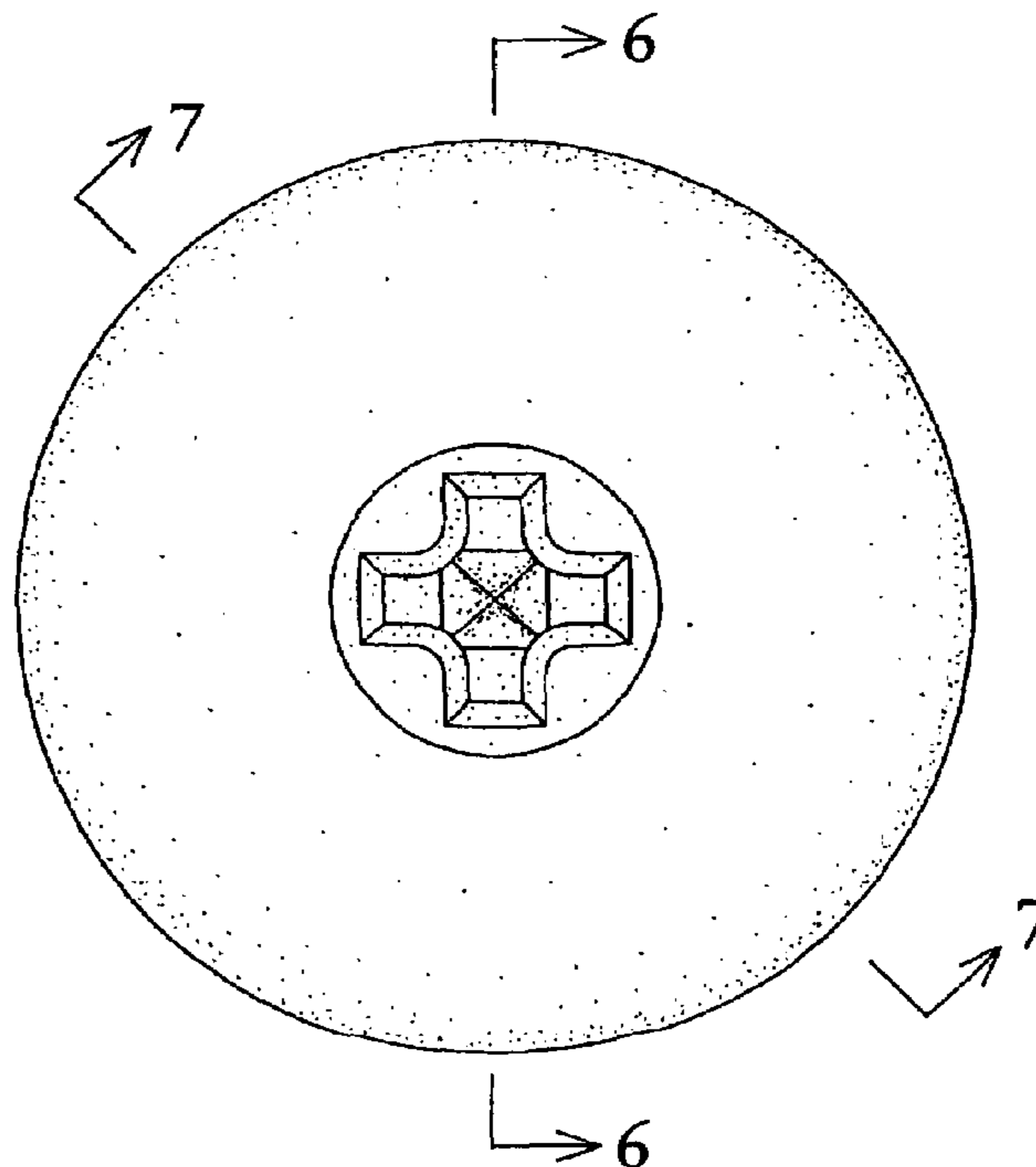
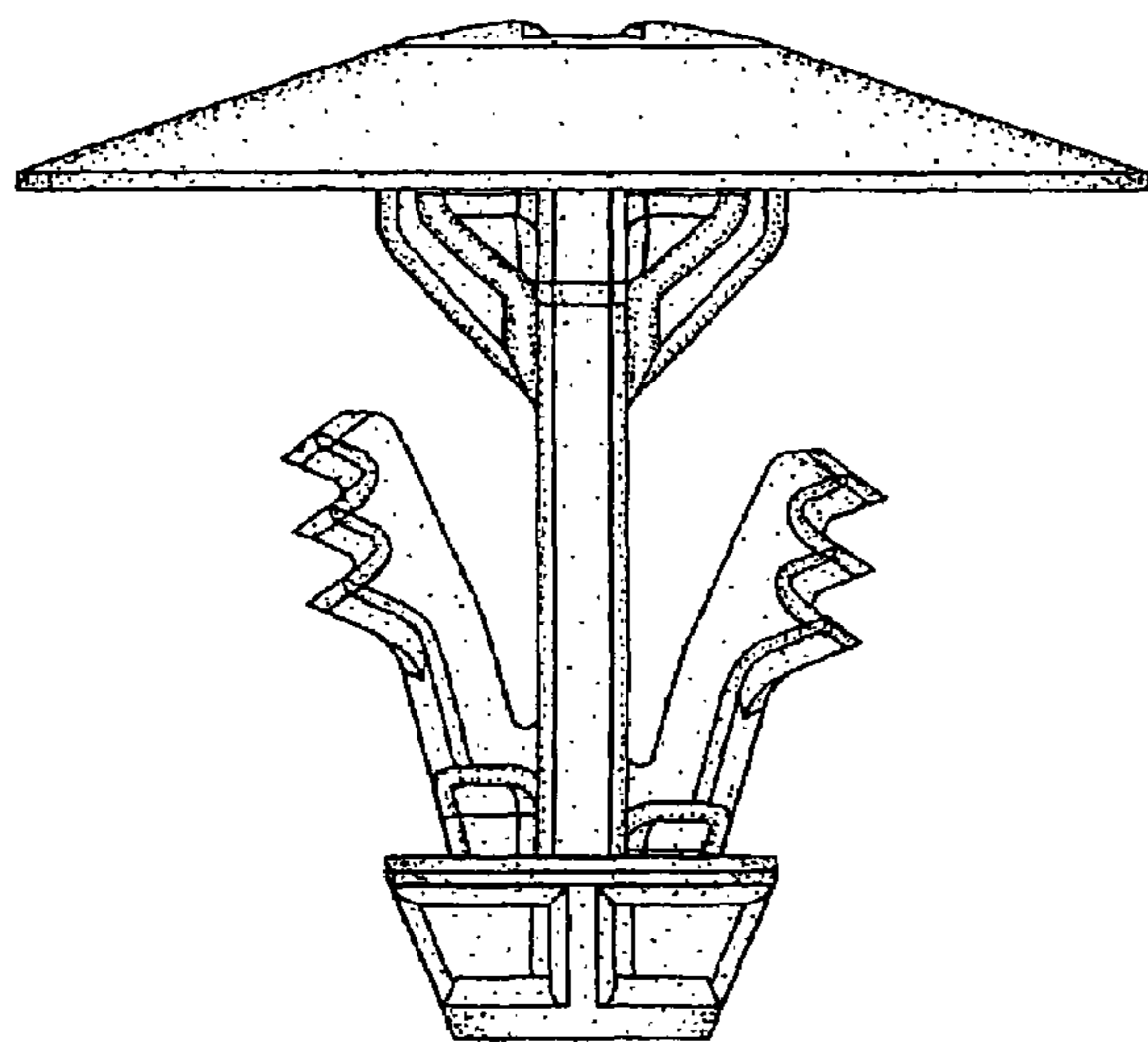


Fig. 1

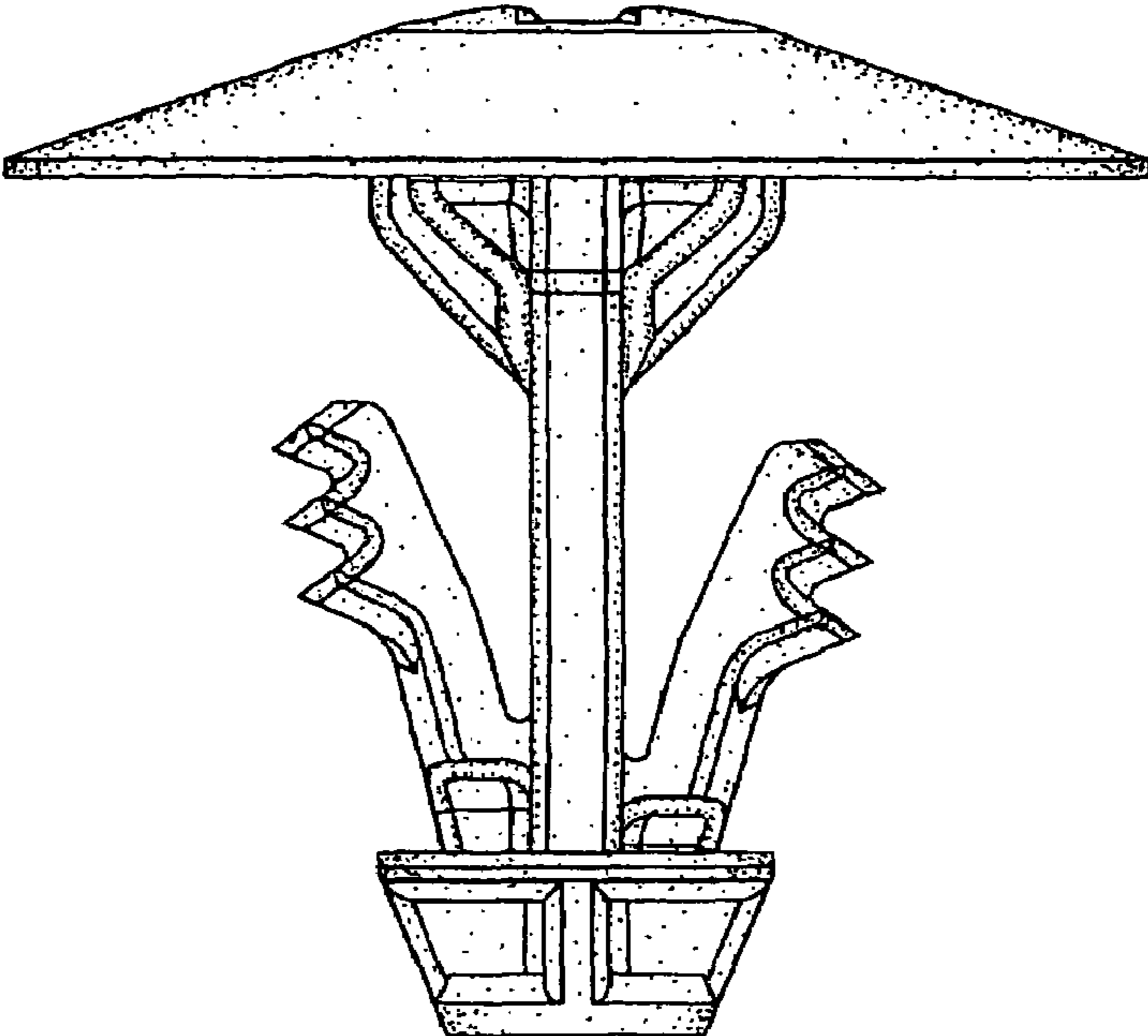


Fig. 2

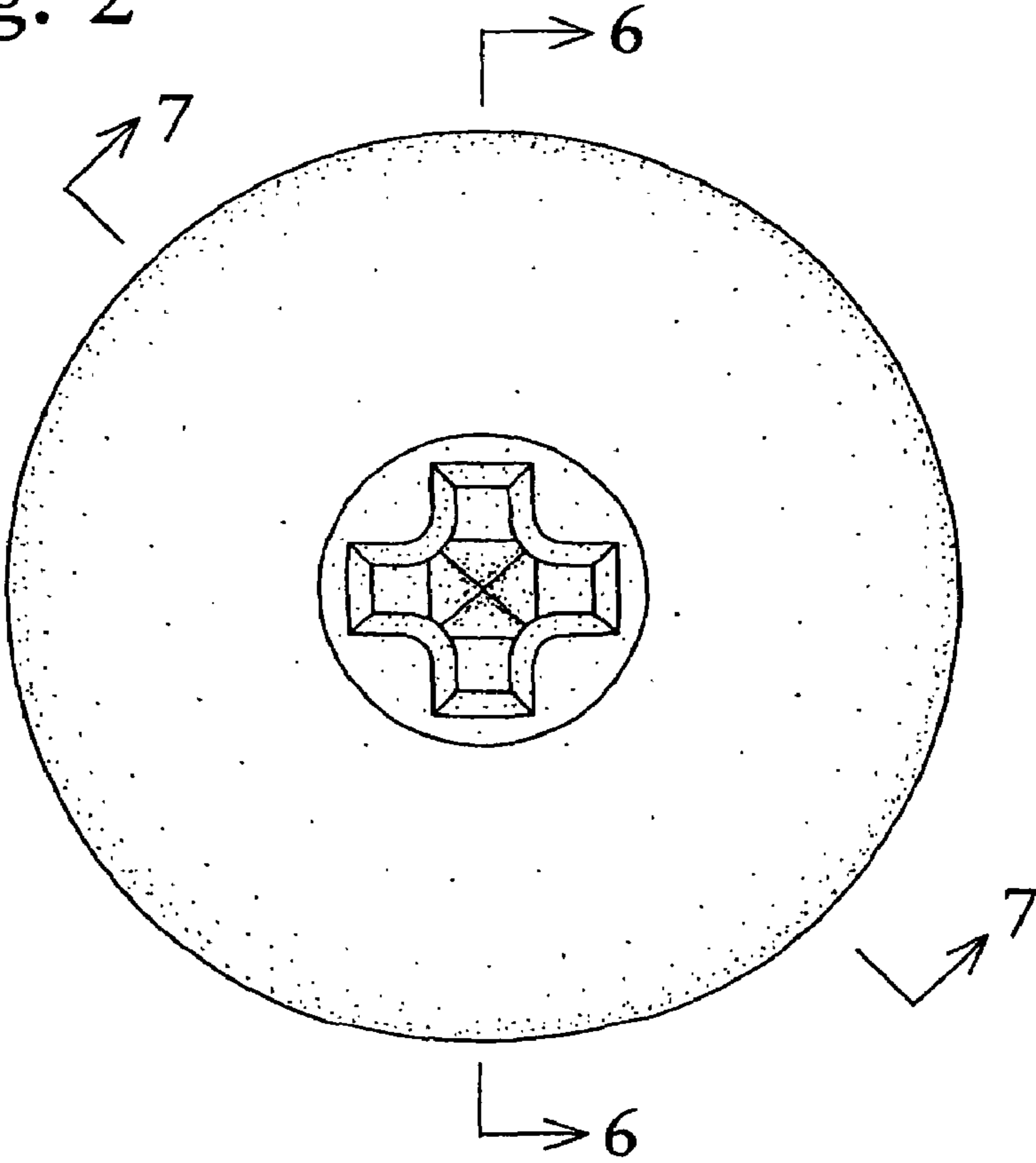


Fig. 3

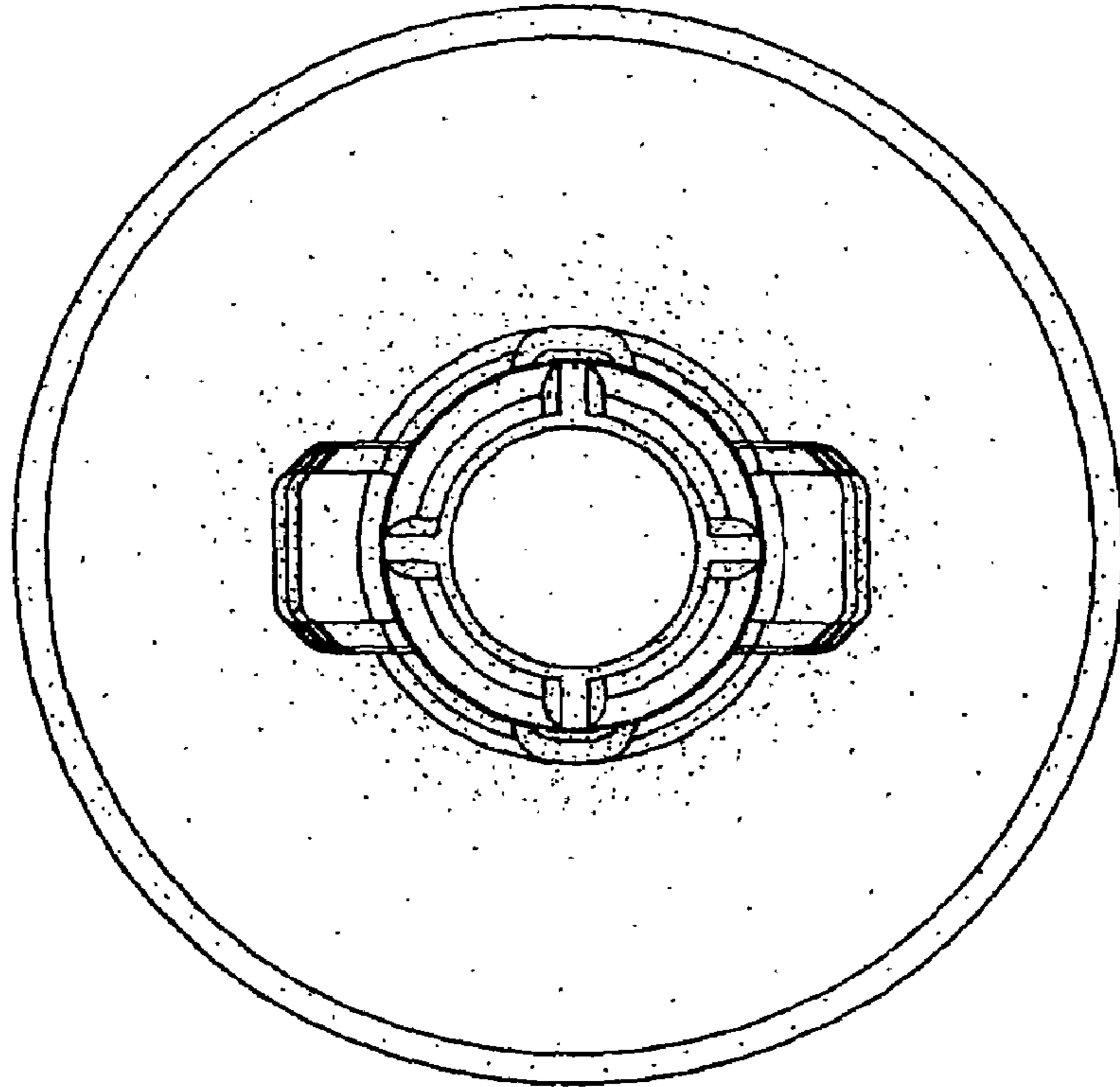


Fig. 4

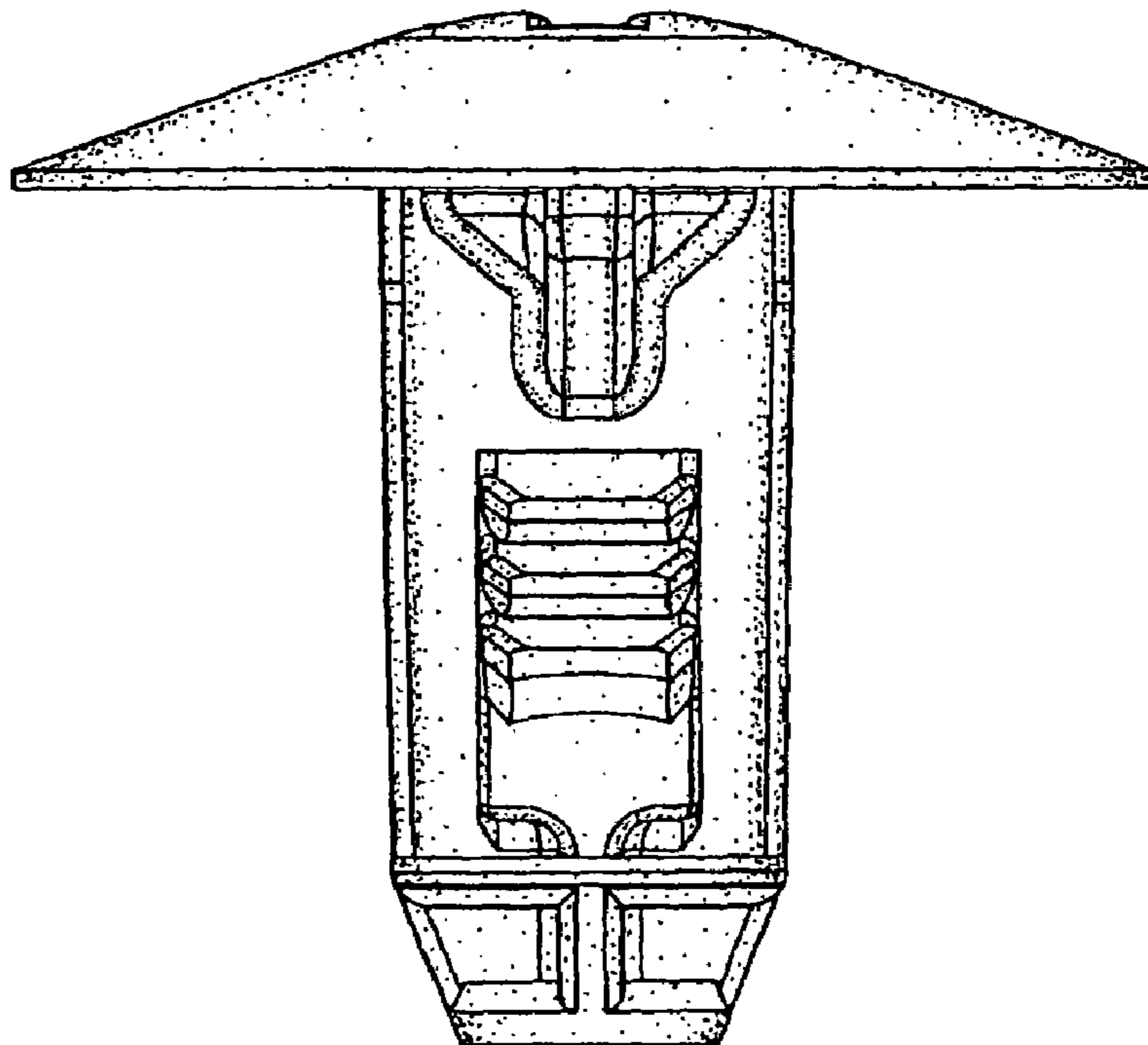


Fig. 5

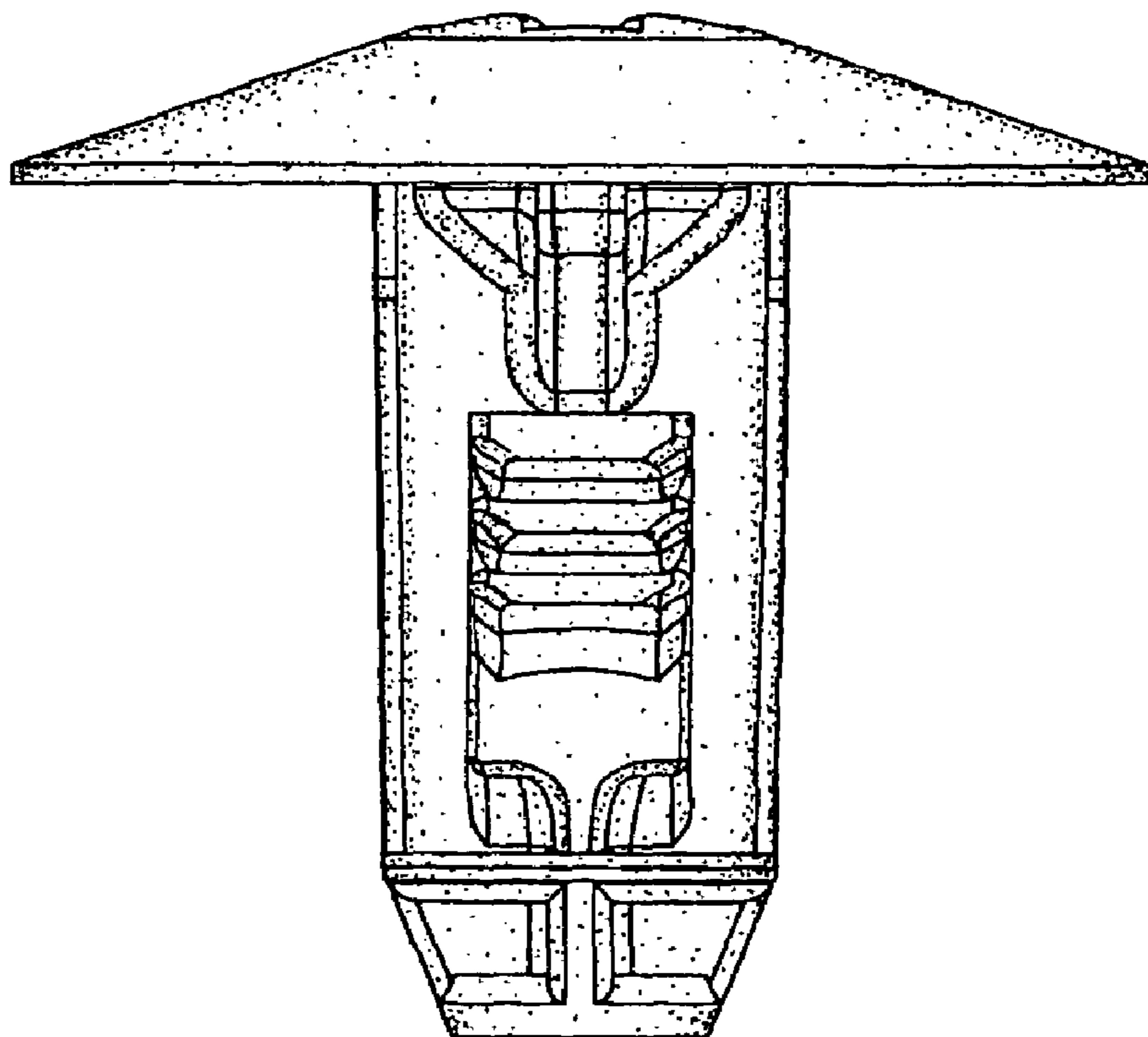


Fig. 6

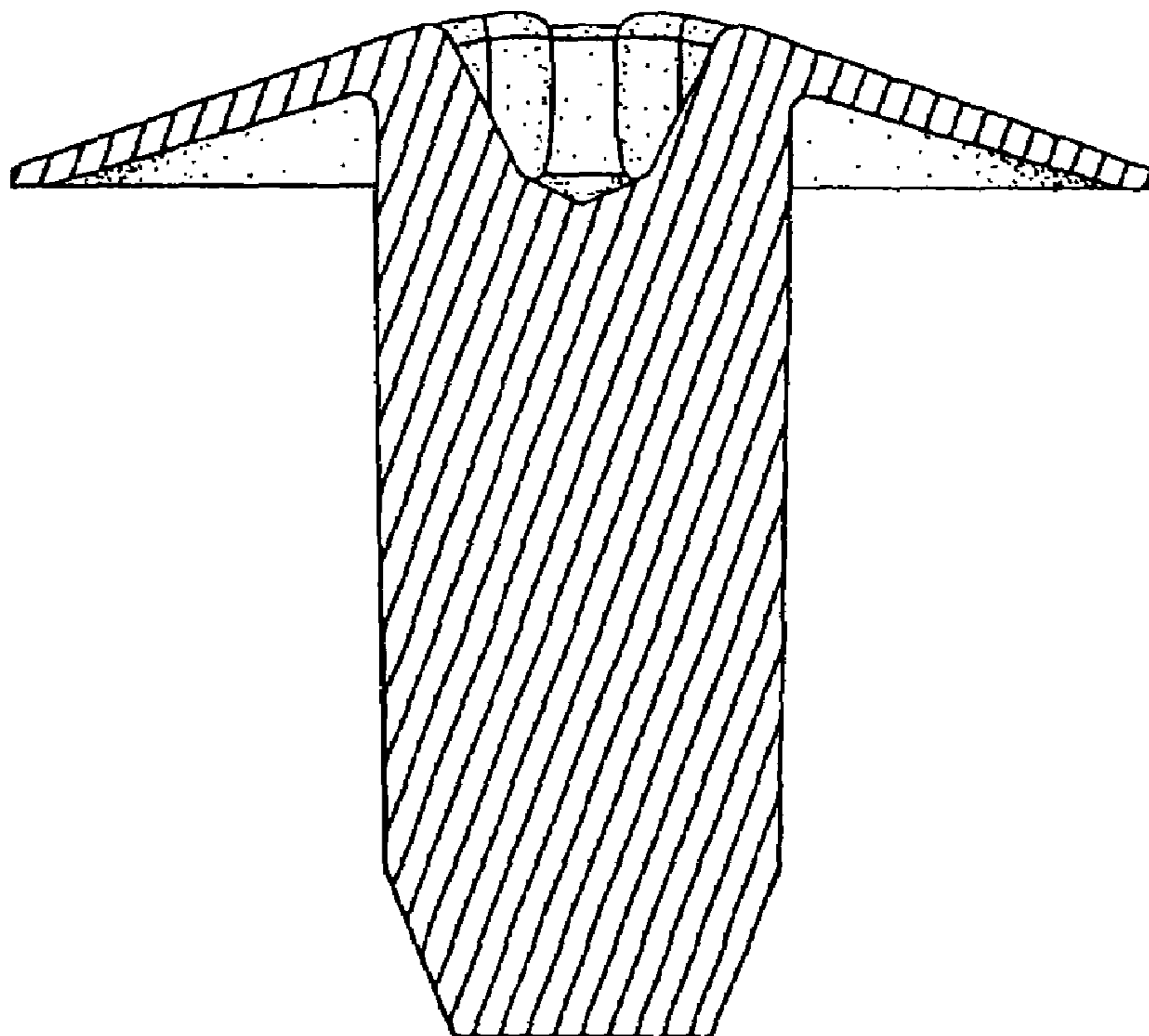


Fig. 7

