



US00D617177S

(12) **United States Design Patent**
Trivini

(10) **Patent No.:** **US D617,177 S**
(45) **Date of Patent:** **** Jun. 8, 2010**

(54) **WHEEL CONSTRUCTION, PARTICULARLY FOR FURNITURE, FURNISHING PIECES AND TROLLEYS**

D240,503 S * 7/1976 Crescenzi D8/375
D391,841 S * 3/1998 Loescher D8/375
D482,265 S * 11/2003 Wicha D8/375
D556,551 S * 12/2007 Lucht D8/375

(75) Inventor: **Ruggero Trivini**, S'Angelo Lodigiano (IT)

* cited by examiner

(73) Assignee: **O.G.T.M. Officine Meccaniche S.r.l.**, Sant'Angelo Lodigiano (LODI) (IT)

Primary Examiner—Susan Bennett Hattan
(74) *Attorney, Agent, or Firm*—Hedman & Costigan, P.C.; James V. Costigan

(**) Term: **14 Years**

(21) Appl. No.: **29/315,783**

(57) **CLAIM**

(22) Filed: **Jul. 23, 2009**

The ornamental design for a wheel construction, particularly for furniture, furnishing pieces and trolleys, as shown and described.

(30) **Foreign Application Priority Data**

Feb. 18, 2009 (EM) 001090005

DESCRIPTION

(51) **LOC (9) Cl.** **12-16**

(52) **U.S. Cl.** **D8/375**

(58) **Field of Classification Search** D8/375, D8/382, 354; D34/27; D3/318; D12/501, D12/209, 208, 207; 16/47, 46, 45, 37, 35 R, 16/35 D, 31 R, 29, 18 R

FIG. 1 is a top and left side perspective view of the invention; FIG. 2 is the left side view of the invention; FIG. 3 is the right side view of the invention; FIG. 4 is the front view of the invention; FIG. 5 is the rear view of the invention; FIG. 6 is the top view of the invention; and, FIG. 7 is the bottom view of the invention.

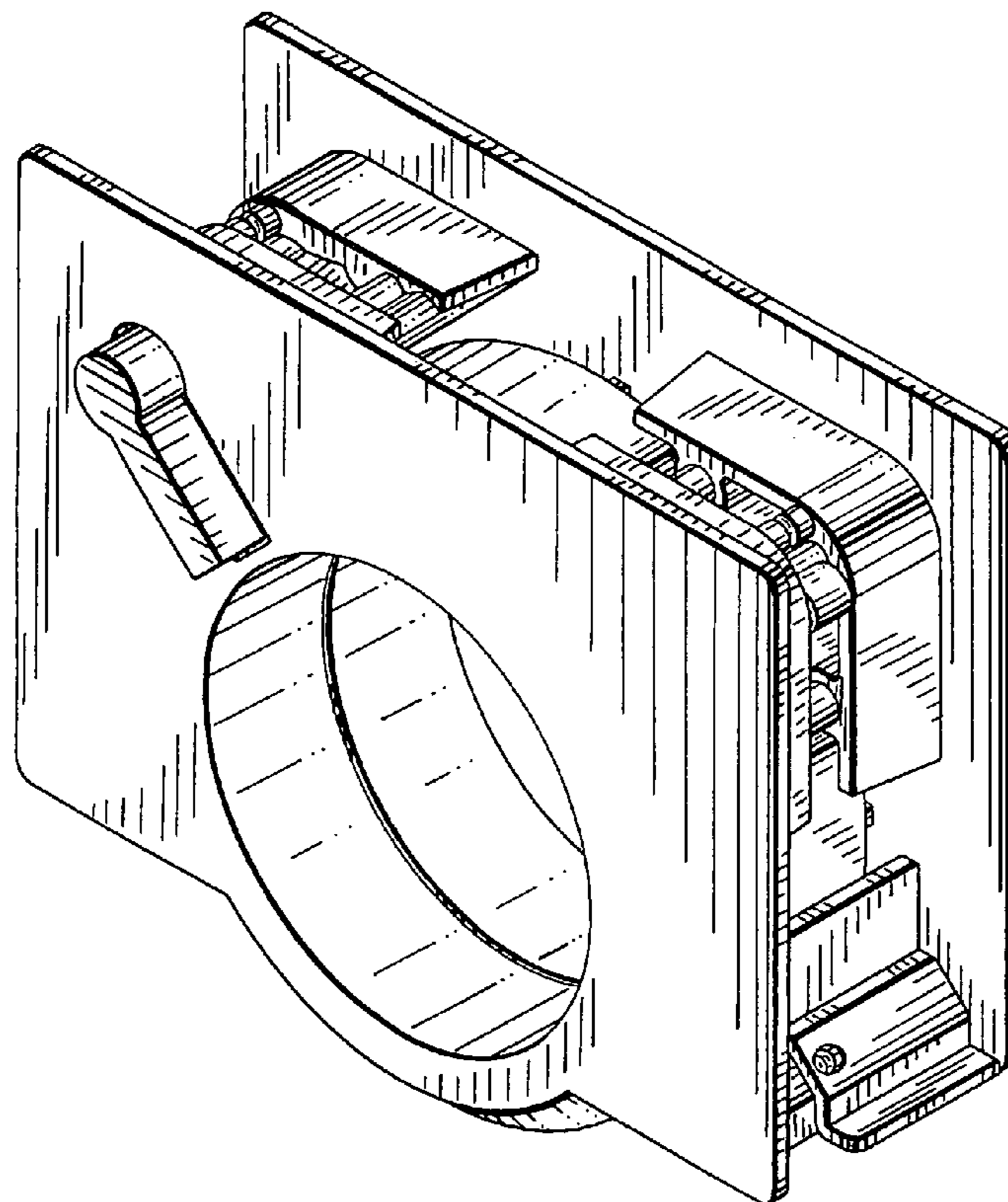
See application file for complete search history.

(56) **References Cited**

U.S. PATENT DOCUMENTS

2,483,241 A * 9/1949 Shepherd 16/18 CG

1 Claim, 7 Drawing Sheets



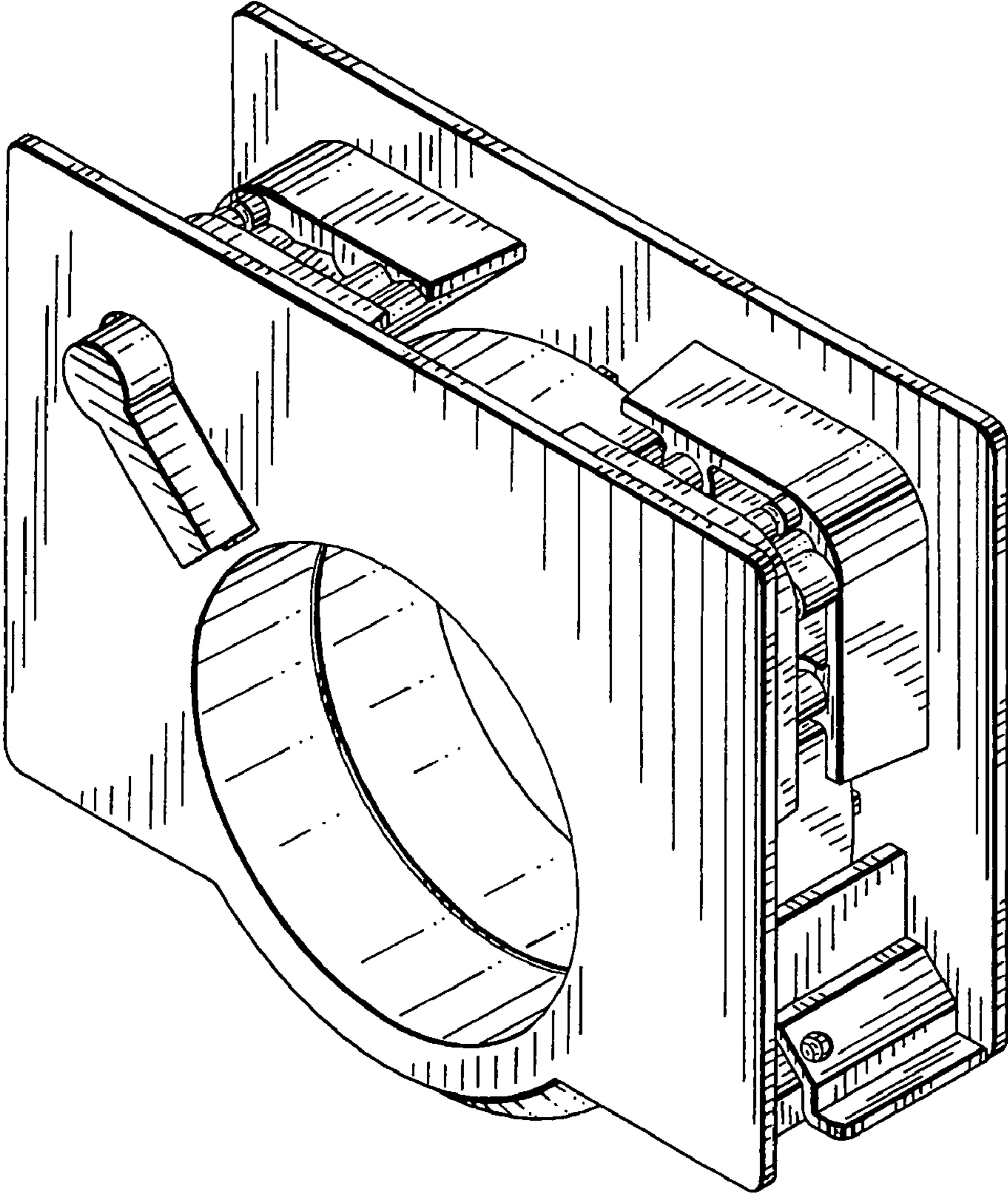


FIG. 1

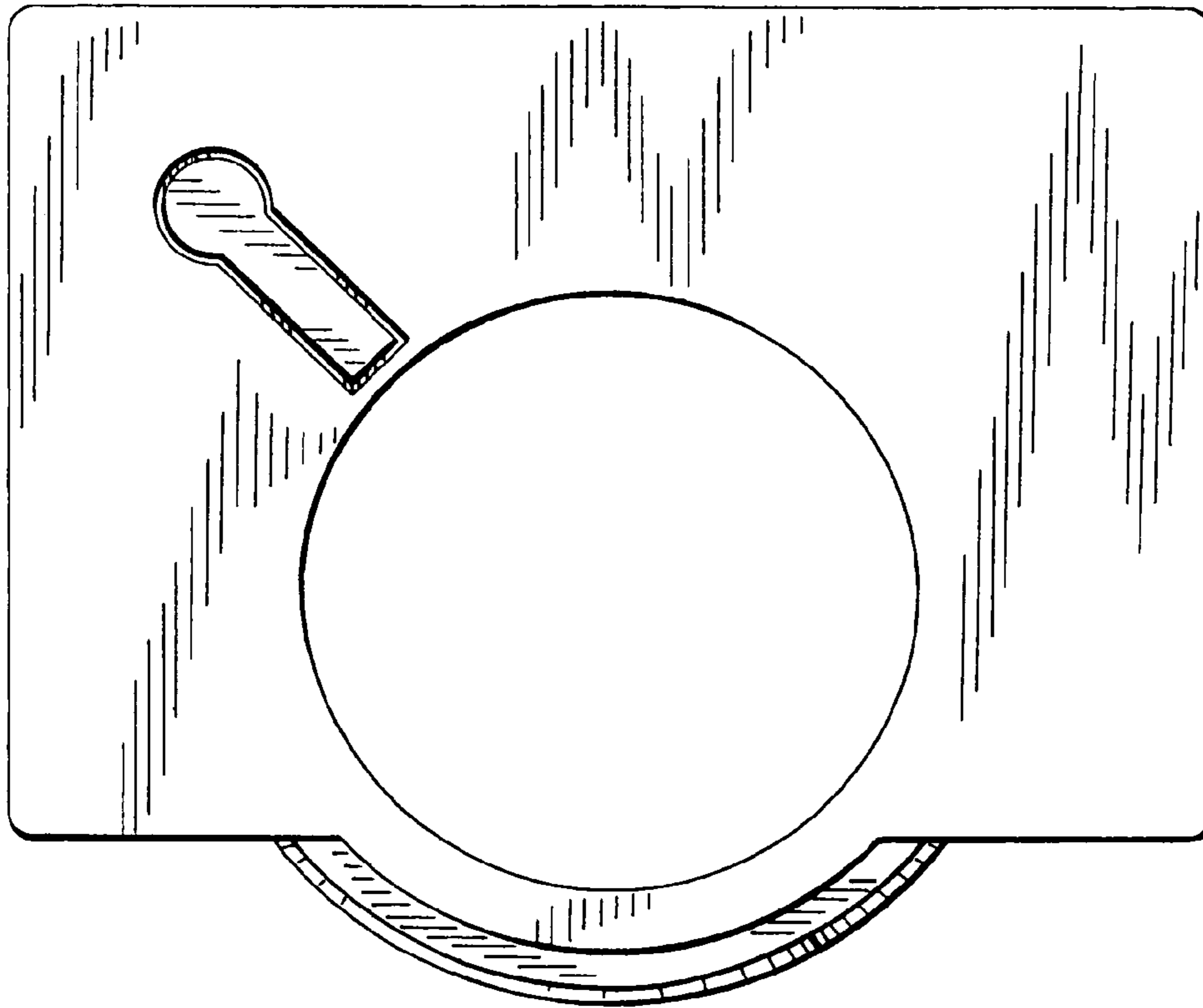


FIG. 2

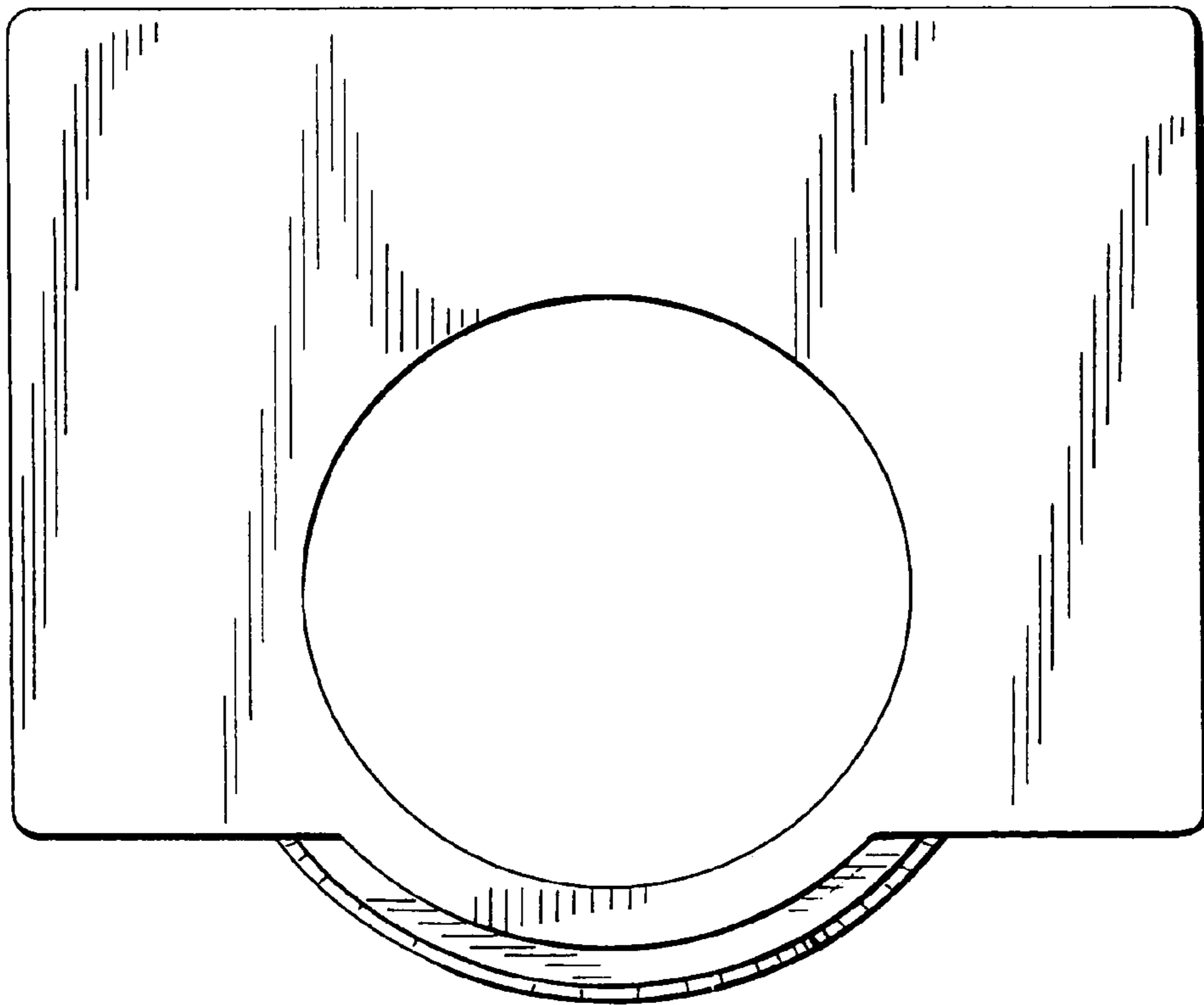


FIG. 3

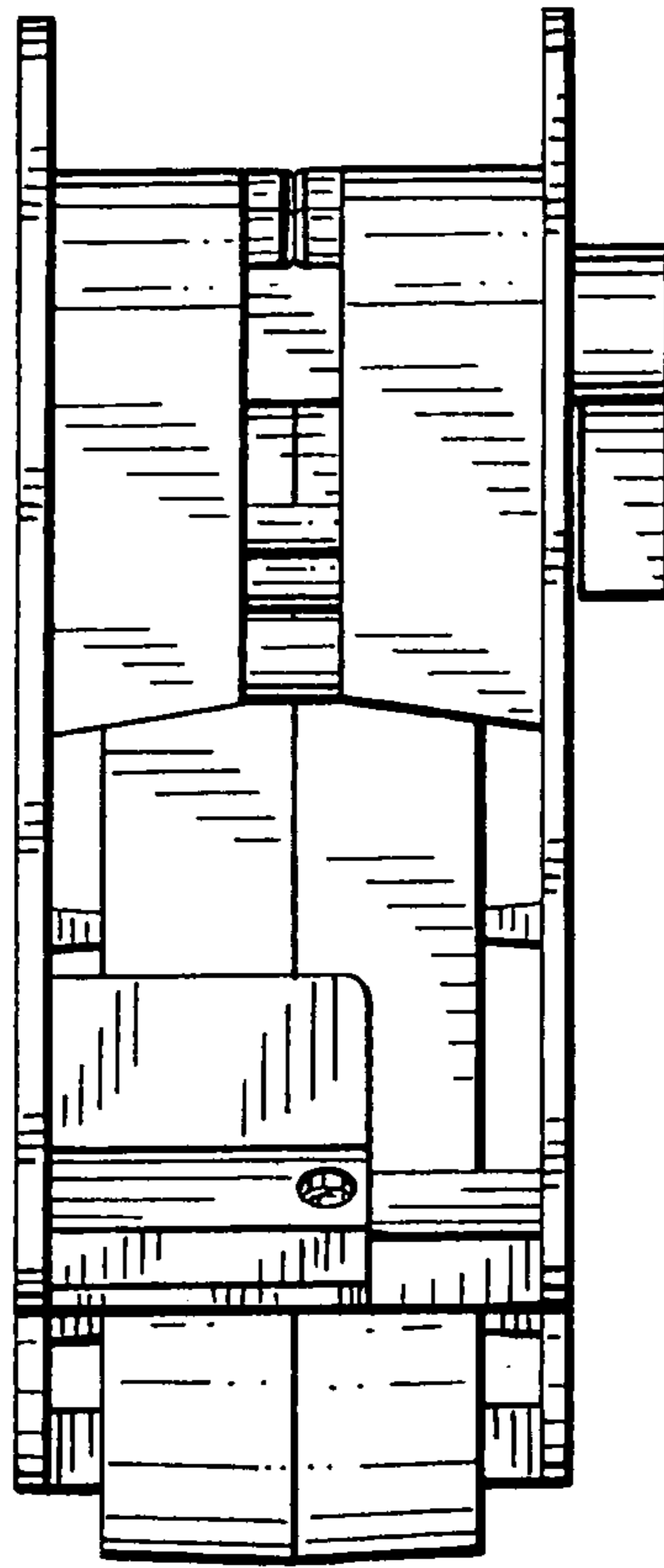


FIG. 4

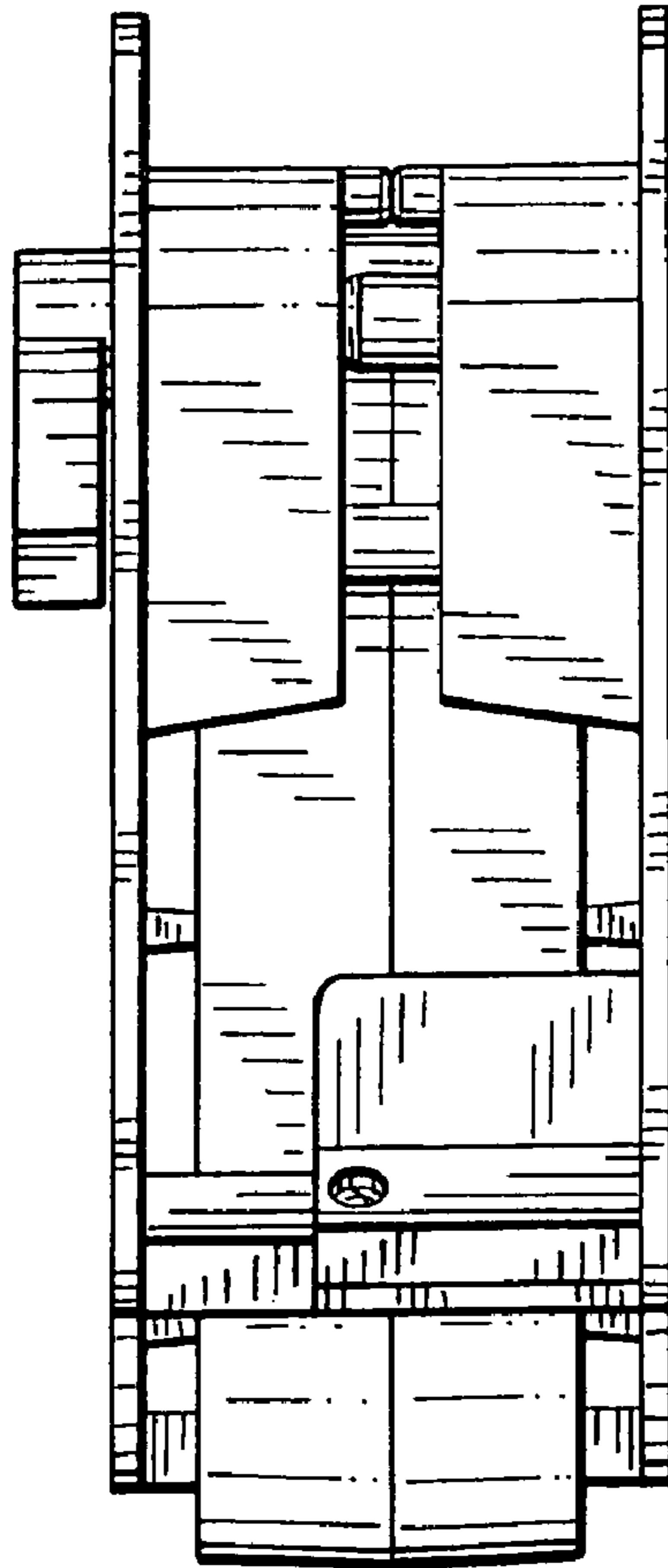


FIG. 5

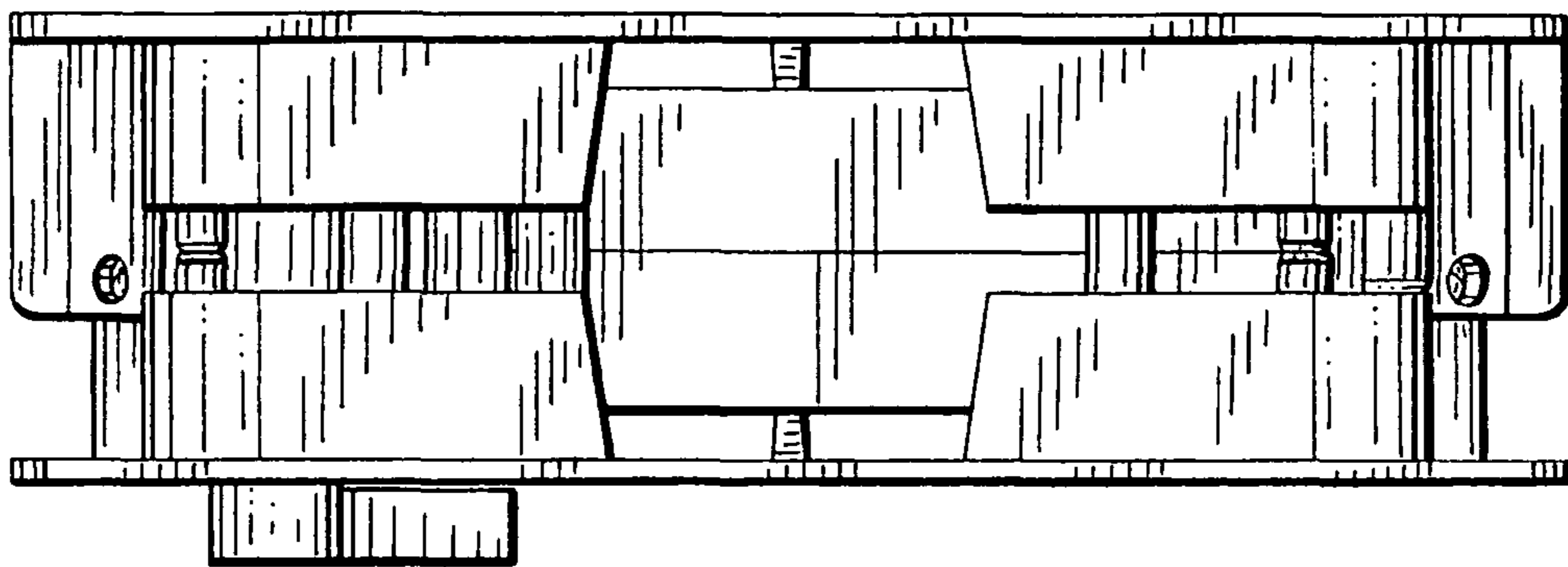


FIG. 6

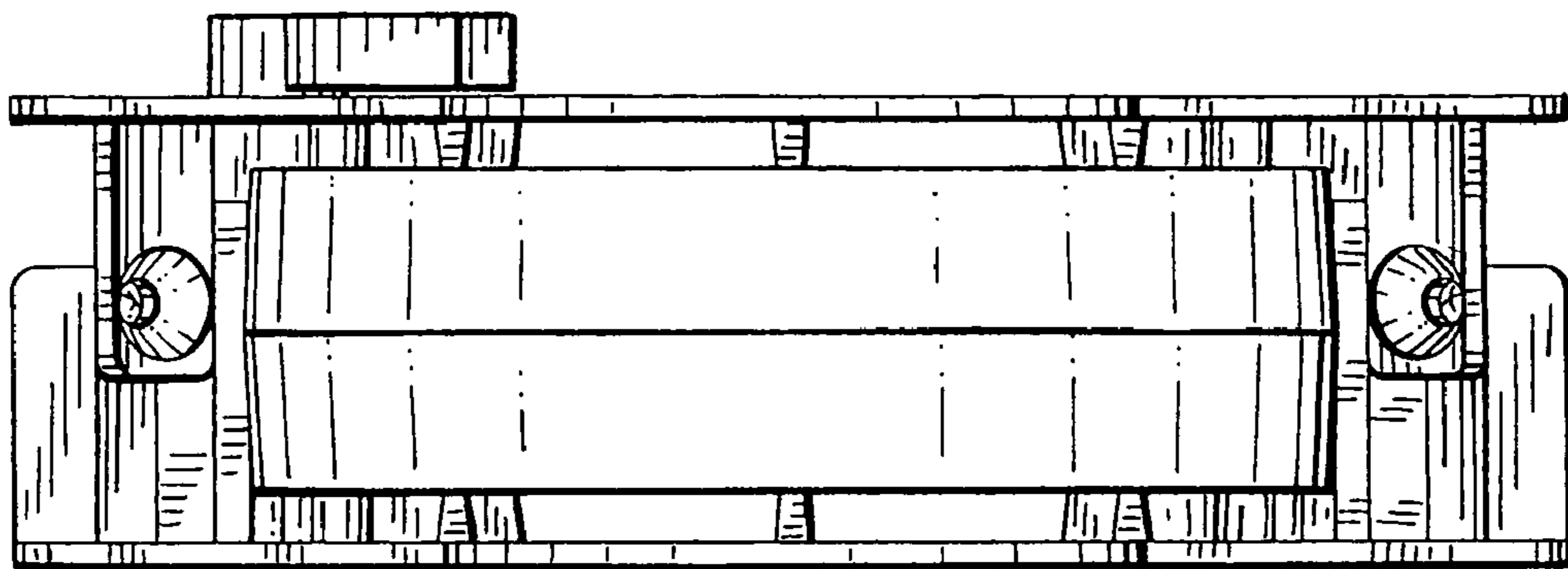


FIG. 7