



US00D617176S

(12) **United States Design Patent**  
**Confer et al.**

(10) **Patent No.:** **US D617,176 S**  
(45) **Date of Patent:** **\*\* Jun. 8, 2010**

(54) **STEERING CONTROL SUPPORT**

(75) Inventors: **Thomas W. Confer**, Greene, NY (US);  
**Gregory W. Smiley**, Greene, NY (US)

(73) Assignee: **The Raymond Corporation**, Greene,  
NY (US)

(\*\*) Term: **14 Years**

(21) Appl. No.: **29/324,233**

(22) Filed: **Sep. 9, 2008**

(51) **LOC (9) Cl.** ..... **08-05**

(52) **U.S. Cl.** ..... **D8/363; D34/35**

(58) **Field of Classification Search** ..... D8/300,  
D8/301, 302, 303, 305, 307, 310, 315, 363;  
D12/174, 179, 400, 606; 135/65, 66, 67,  
135/68, 69; 74/473.1, 473.35, 475, 488,  
74/489, 523; D13/165, 171; 16/433; 40/331;  
292/347, 348; 396/6; 455/345, 352; 70/247;  
463/37; D34/35

See application file for complete search history.

(56) **References Cited**

**U.S. PATENT DOCUMENTS**

- 3,918,316 A \* 11/1975 Reinhold et al. .... 74/473.35
- 4,541,257 A \* 9/1985 Stoll ..... 70/247
- D362,330 S \* 9/1995 Avitan et al. .... D34/35
- D405,581 S \* 2/1999 Henshaw et al. .... D34/35
- D409,080 S \* 5/1999 Vogels ..... D8/363
- D457,418 S \* 5/2002 Ferrer ..... D8/363
- 6,931,963 B2 \* 8/2005 Jarjoura et al. .... 74/543

- D520,347 S \* 5/2006 Silzer et al. .... D8/363
- D526,109 S \* 8/2006 Bergman et al. .... D34/35
- 7,309,286 B2 \* 12/2007 Hedrick et al. .... 463/37

\* cited by examiner

*Primary Examiner*—Robert M Spear

*Assistant Examiner*—Barbara B Lohr

(74) *Attorney, Agent, or Firm*—Quarles & Brady LLP

(57) **CLAIM**

The ornamental design for a steering control support, as shown and described.

**DESCRIPTION**

FIG. 1 is a right, top, front, perspective view of a steering control support embodying our new design;

FIG. 2 is a top plan view thereof;

FIG. 3 is a right side elevational view thereof;

FIG. 4 is front elevational view thereof;

FIG. 5 is a rear elevational view thereof;

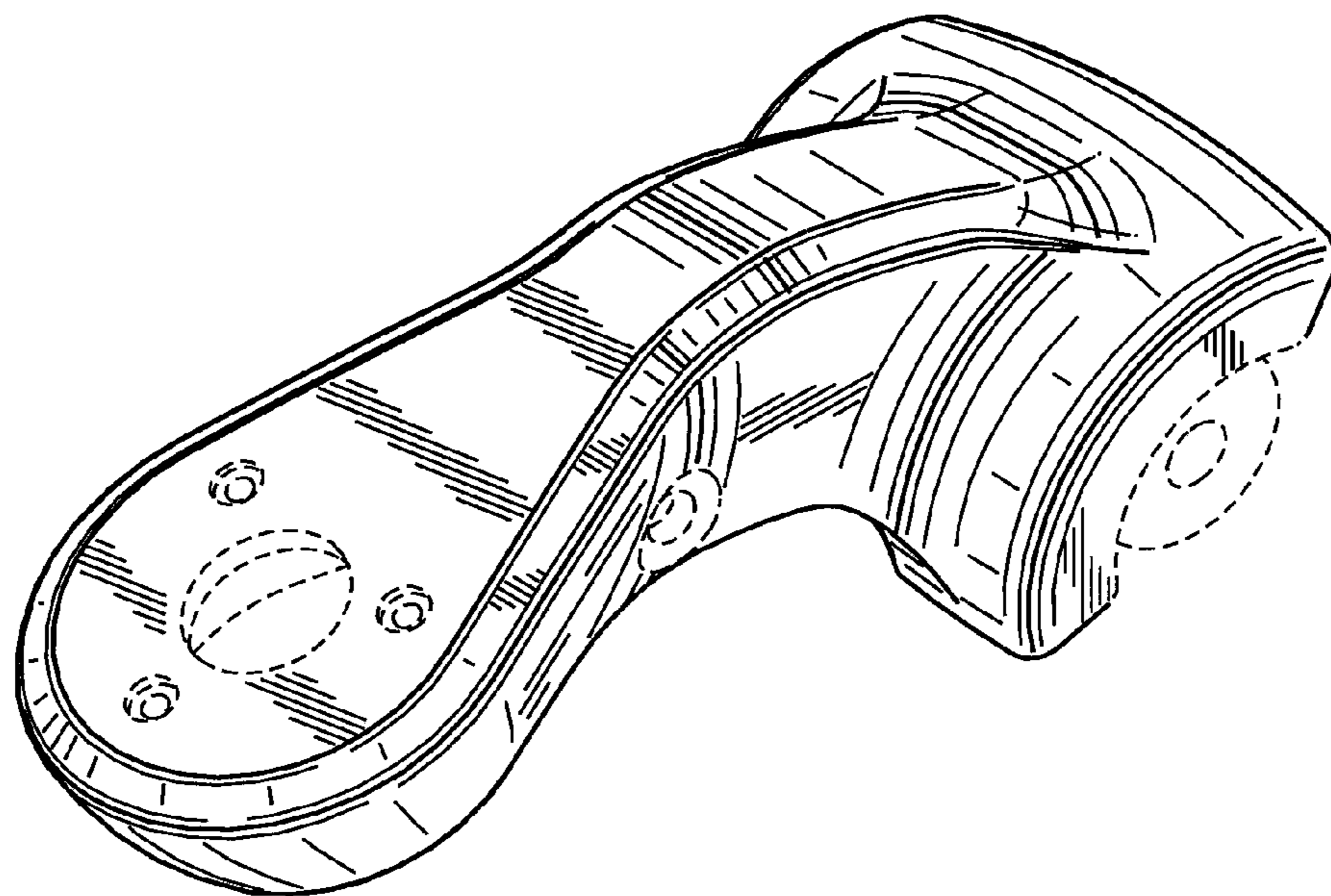
FIG. 6 is a left side elevational view thereof; and,

FIG. 7 is a bottom plan view thereof.

The broken line representations in the figures are for the purpose of illustration only, and form no part of the claimed design.

In a preferred embodiment, the nature of this product is a support arm steering control, such as a stalk for a steer tiller for a lift truck and the like.

**1 Claim, 3 Drawing Sheets**



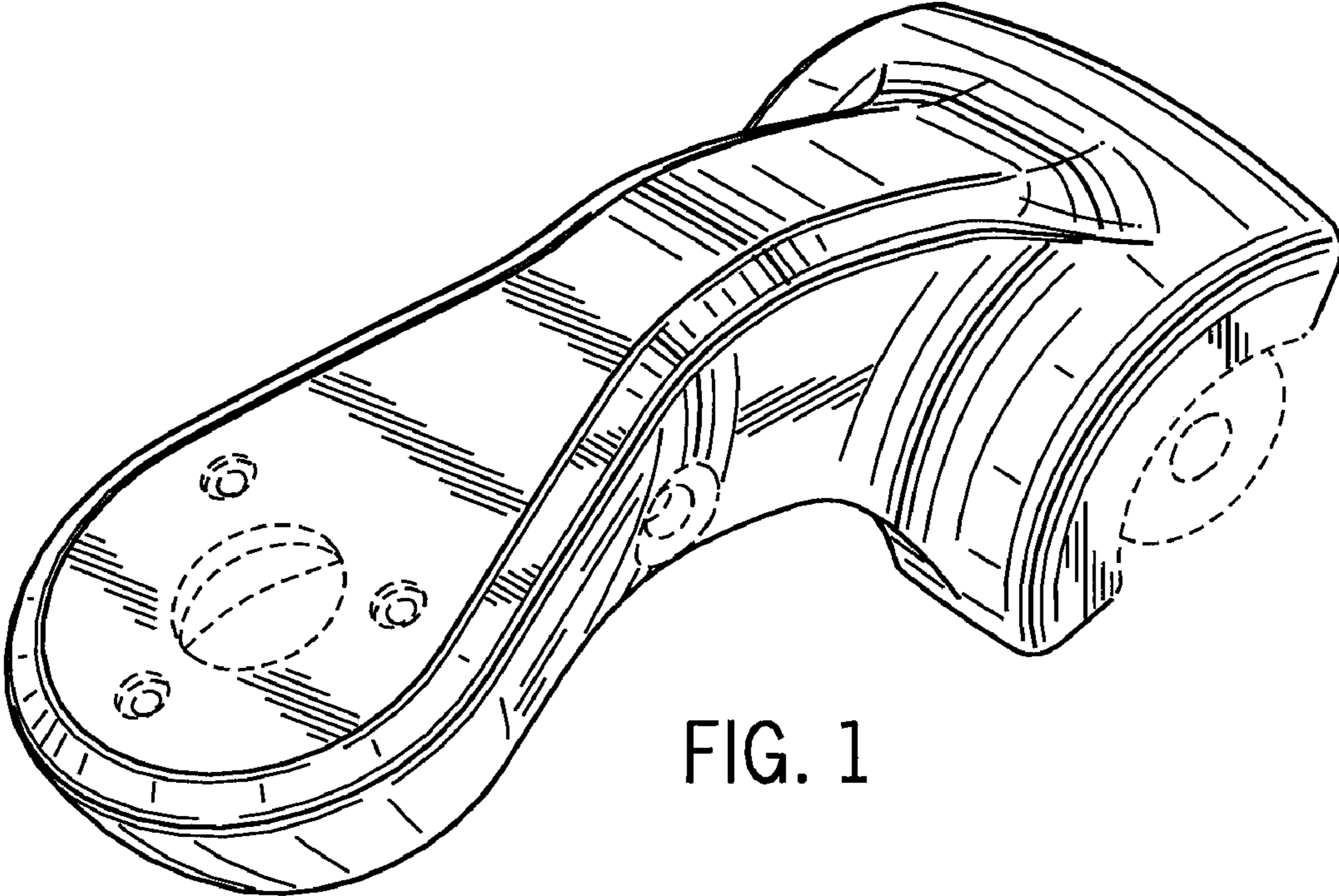


FIG. 1

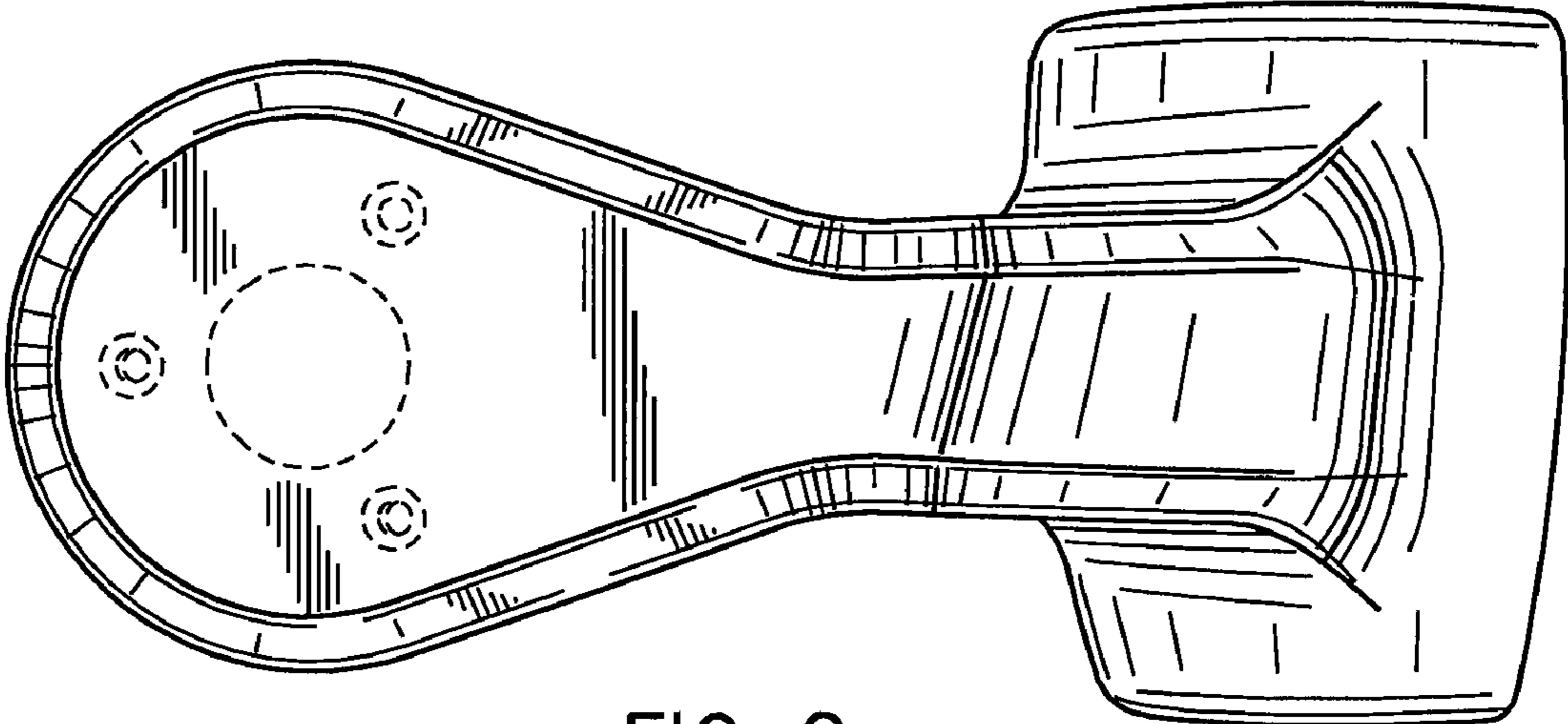


FIG. 2

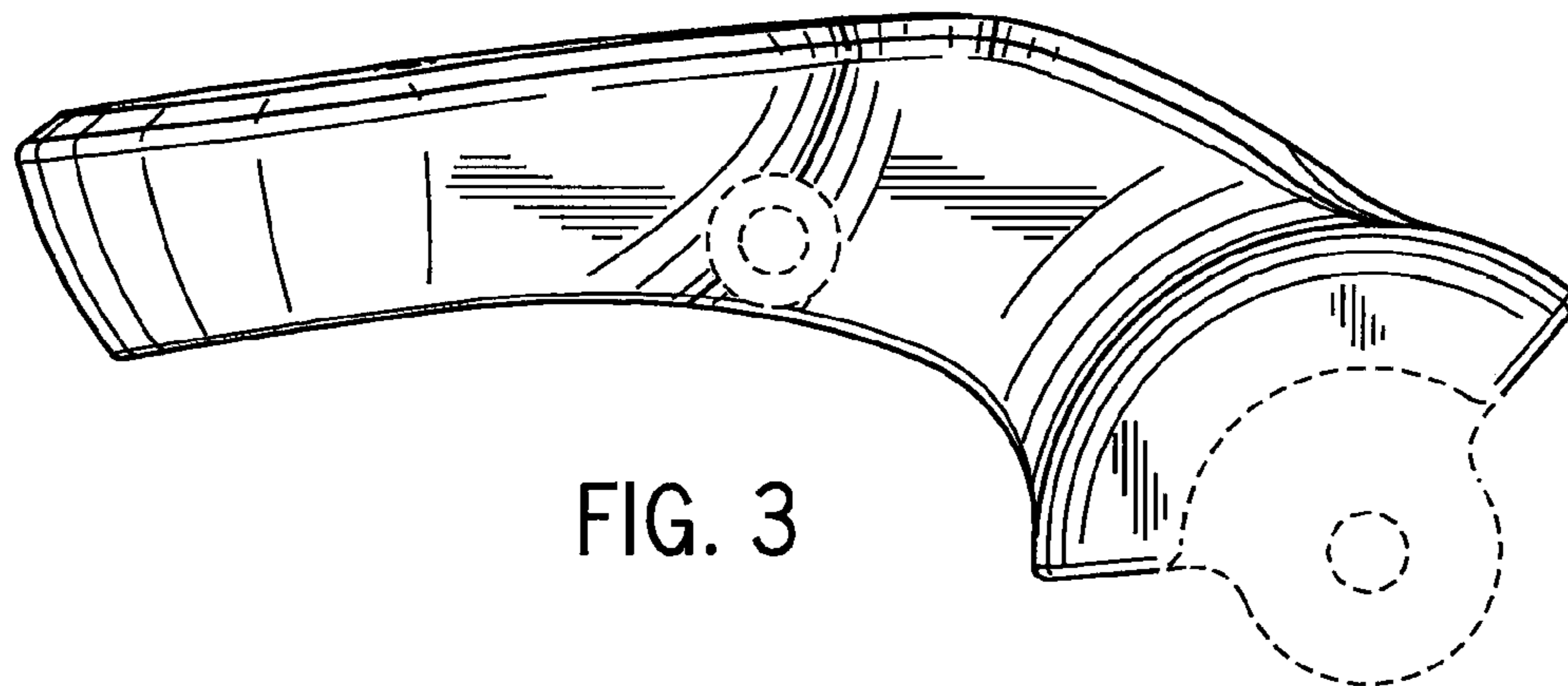


FIG. 3

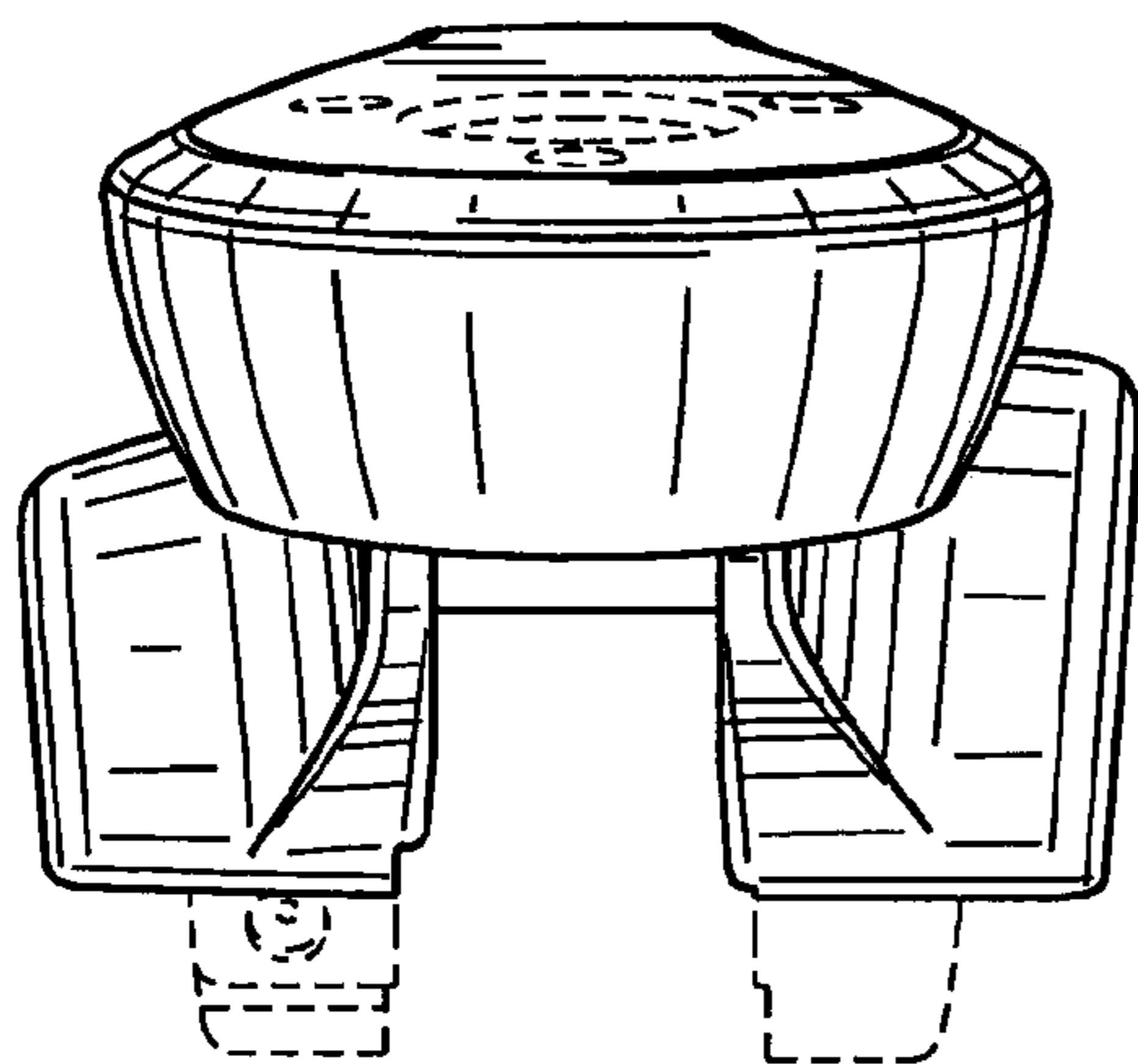


FIG. 4

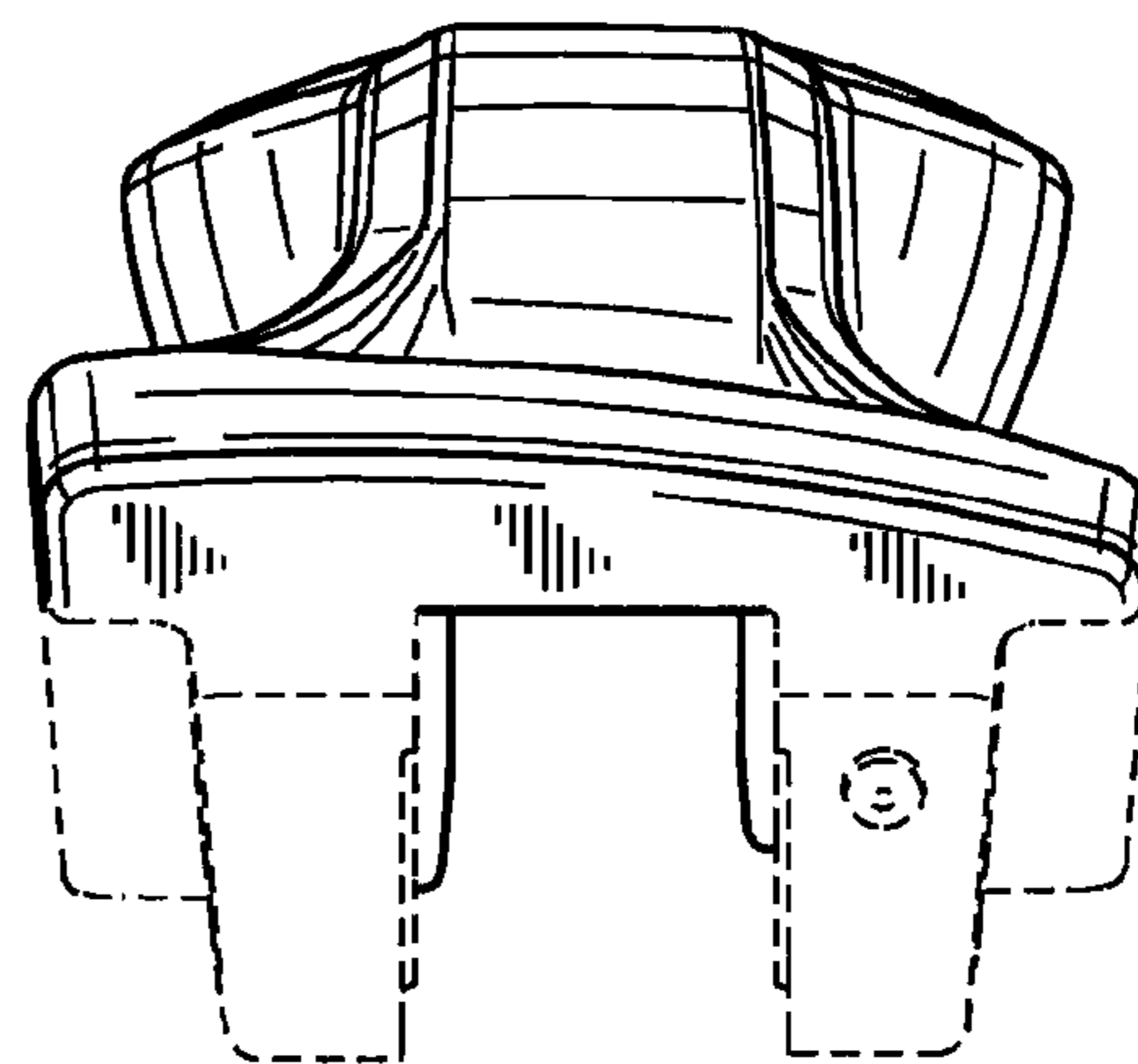


FIG. 5

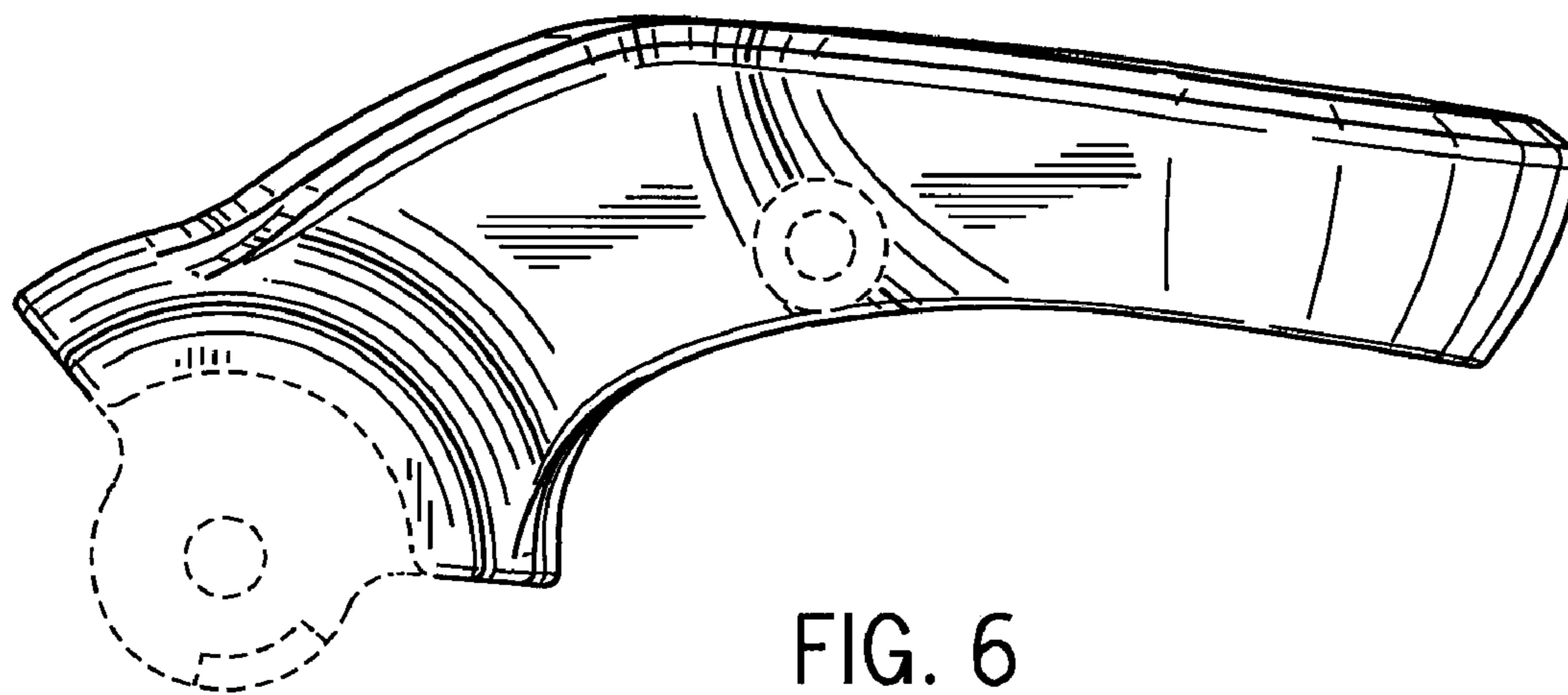


FIG. 6

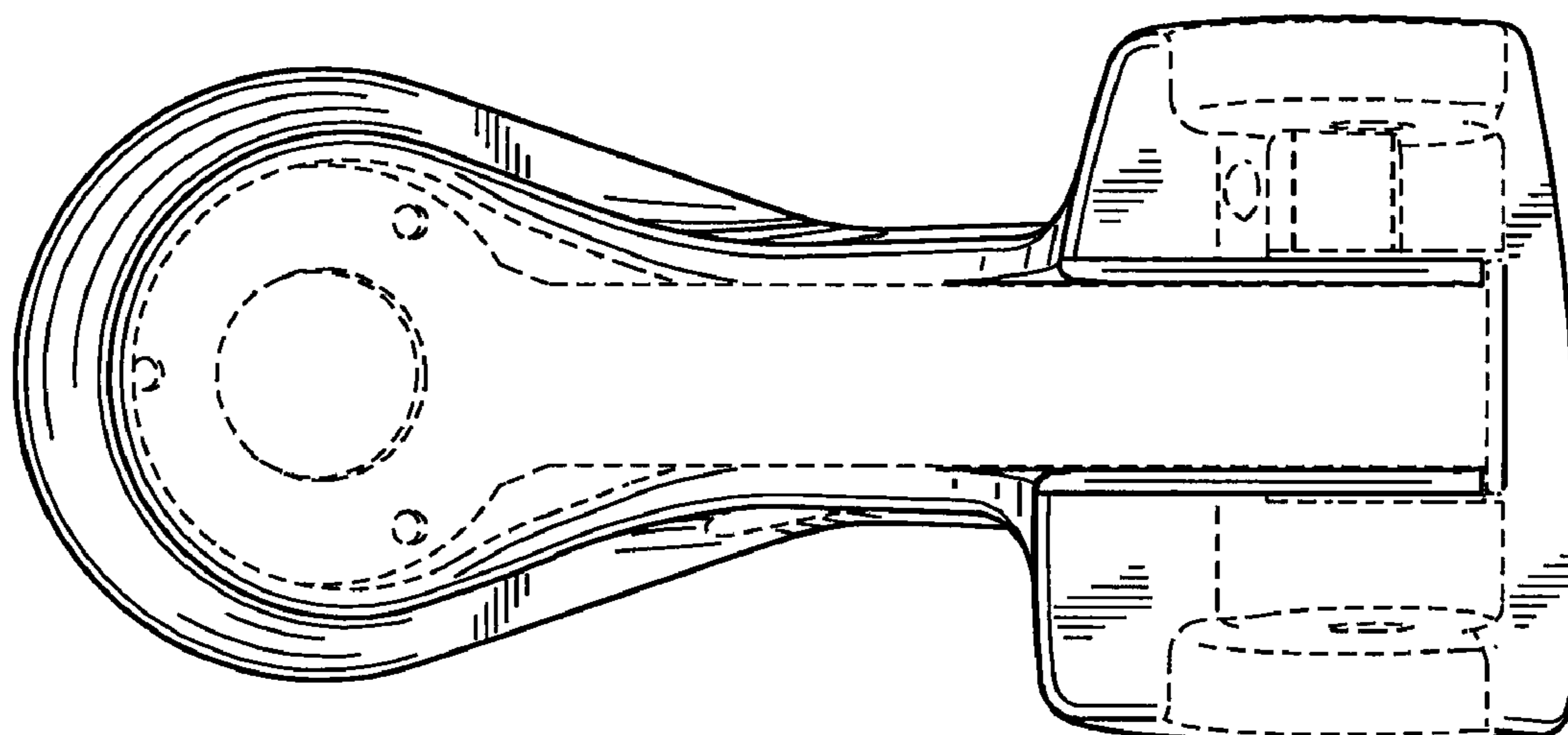


FIG. 7