



US00D617174S

(12) **United States Design Patent**
Schaefer et al.

(10) **Patent No.:** **US D617,174 S**
(45) **Date of Patent:** **** Jun. 8, 2010**

- (54) **INTERLOCKING SUPPORT POST**
- (75) Inventors: **Richard F. Schaefer**, Fort Lupton, CO (US); **David Kreutzman**, Louisville, CO (US); **Don N. Tamm**, Denver, CO (US)
- (73) Assignee: **D Three Enterprises, LLC**, LaFayette, CO (US)

6,862,857	B2	3/2005	Tychsen
6,907,703	B2	6/2005	Gonzalez
D547,637	S	7/2007	Blacker
2006/0261063	A1	11/2006	Dyehouse
2007/0151191	A1	7/2007	August
2007/0204548	A1	9/2007	Gagne
2008/0299868	A1	12/2008	Chungpaiboon

- (**) Term: **14 Years**
- (21) Appl. No.: **29/331,174**
- (22) Filed: **Jan. 21, 2009**

FOREIGN PATENT DOCUMENTS

CA	616268	3/1961
CA	1005987	3/1977

* cited by examiner

Primary Examiner—Doris Clark
(74) *Attorney, Agent, or Firm*—Rick Martin; Patent Law Offices of Rick Martin, P.C.

- (51) **LOC (9) Cl.** **08-05**
- (52) **U.S. Cl.** **D8/354; D25/122**
- (58) **Field of Classification Search** D8/381, D8/354; 403/173, 217; 312/265.5, 265.1, 312/265.2, 108; D25/122
See application file for complete search history.

(57) **CLAIM**

The ornamental design for interlocking support post, as shown and described.

(56) **References Cited**

U.S. PATENT DOCUMENTS

4,322,572	A *	3/1982	Snyder	174/368
5,176,348	A	1/1993	Gale	
5,201,159	A	4/1993	Goranson et al.	
5,470,139	A *	11/1995	Hsiao	312/140
5,647,185	A	7/1997	Forlini	
5,647,650	A *	7/1997	Daugherty et al.	312/265.1
5,695,263	A *	12/1997	Simon et al.	312/265.4
5,715,760	A *	2/1998	Frascaroli et al.	108/50.02
5,894,702	A	4/1999	Stenekes	
D459,975	S *	7/2002	Dinh et al.	D8/354
6,658,808	B1	12/2003	Doherty et al.	
6,840,372	B2	1/2005	Giles et al.	

DESCRIPTION

FIG. 1 is a top view of the interlocking support post, the bottom is identical thereto.

FIG. 2 is a side elevation view, all sides being identical, of FIG. 1, the dotted line indicating that the length can vary.

FIG. 3 is a front perspective view of FIG. 1, the dotted line indicating that the length can vary.

FIG. 4 is a top view of a second embodiment of the interlocking support post, the bottom is identical thereto; and,

FIG. 5 is a front perspective view of FIG. 4.

1 Claim, 2 Drawing Sheets

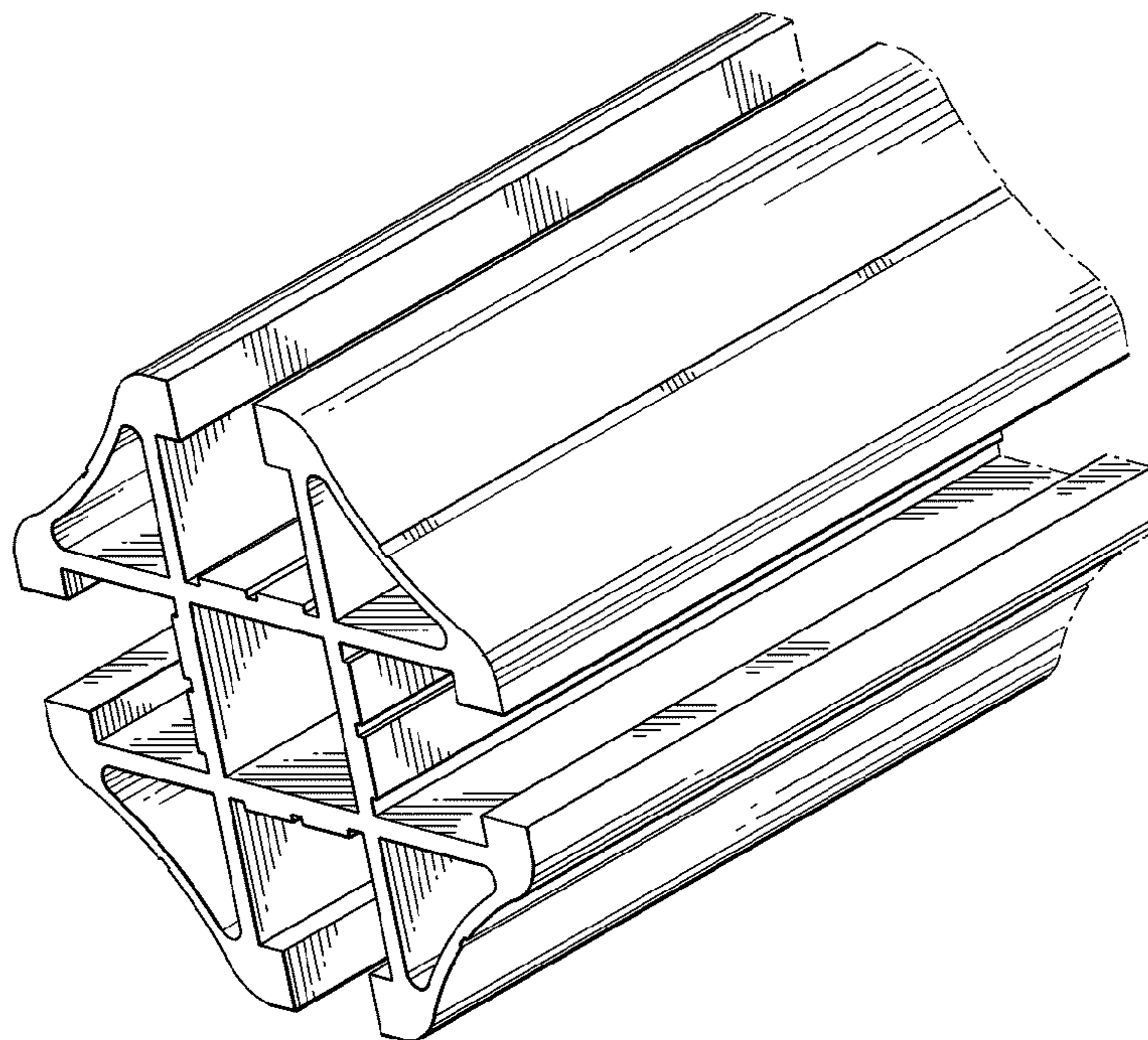


FIG.1

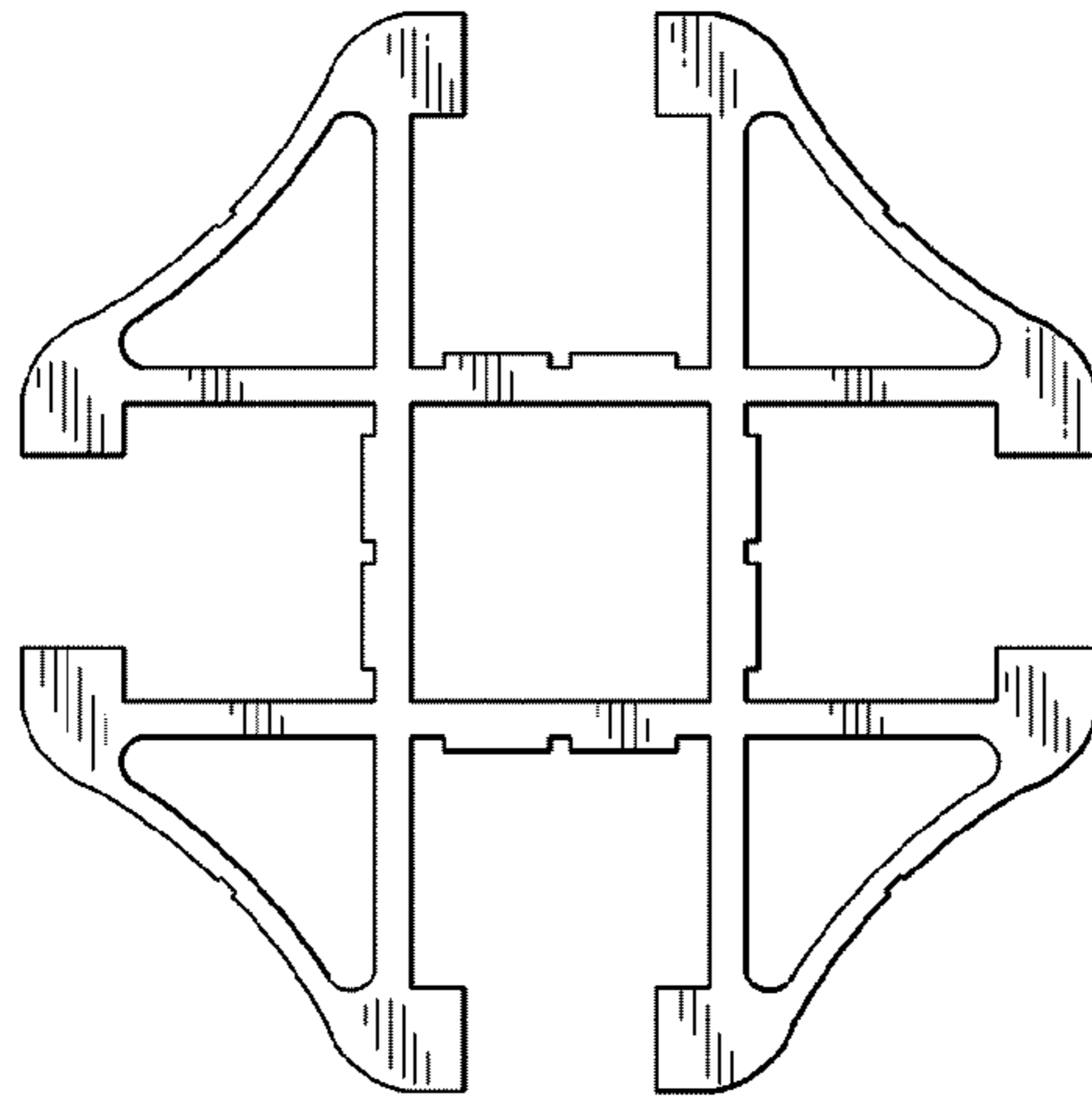


FIG.2

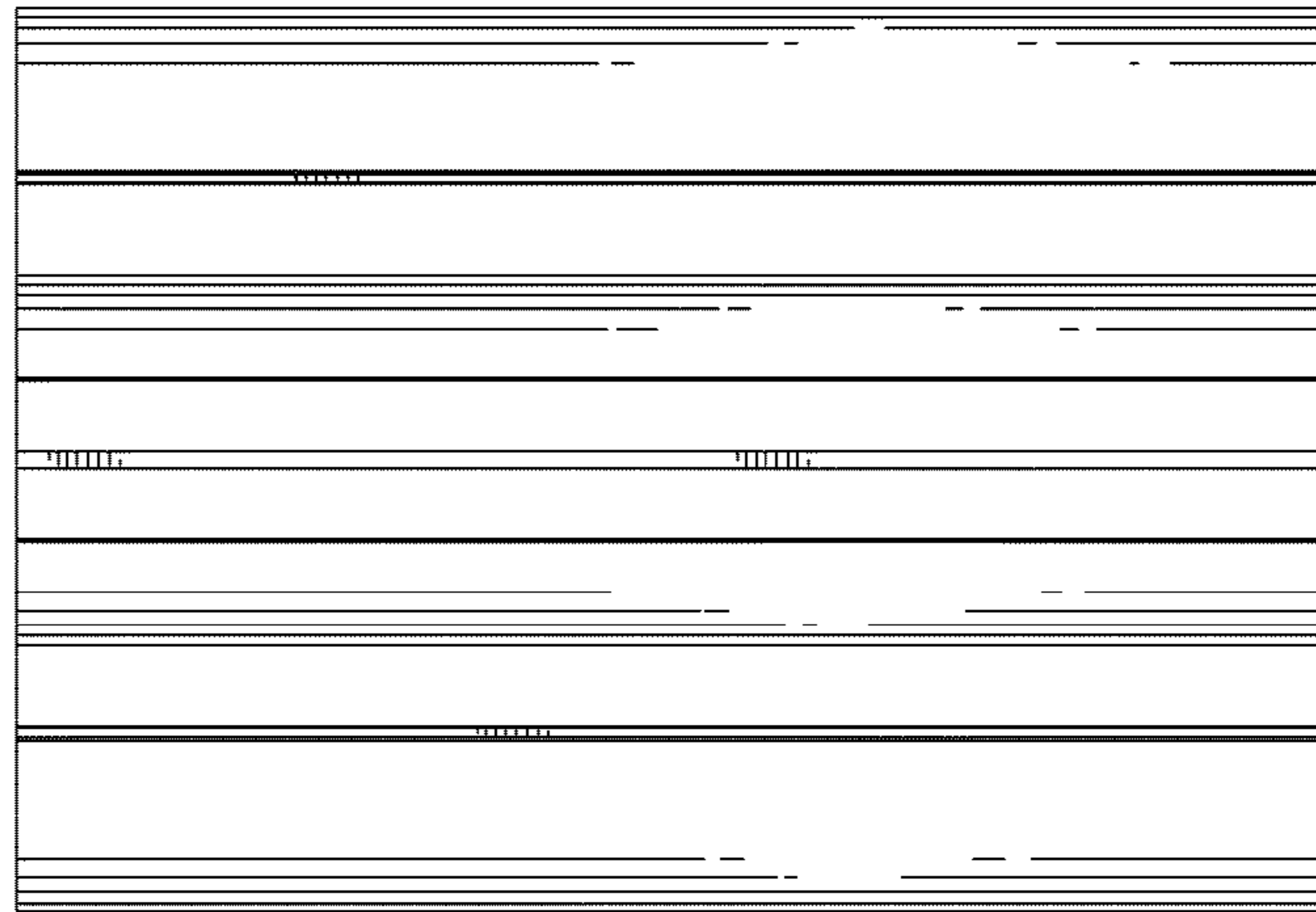
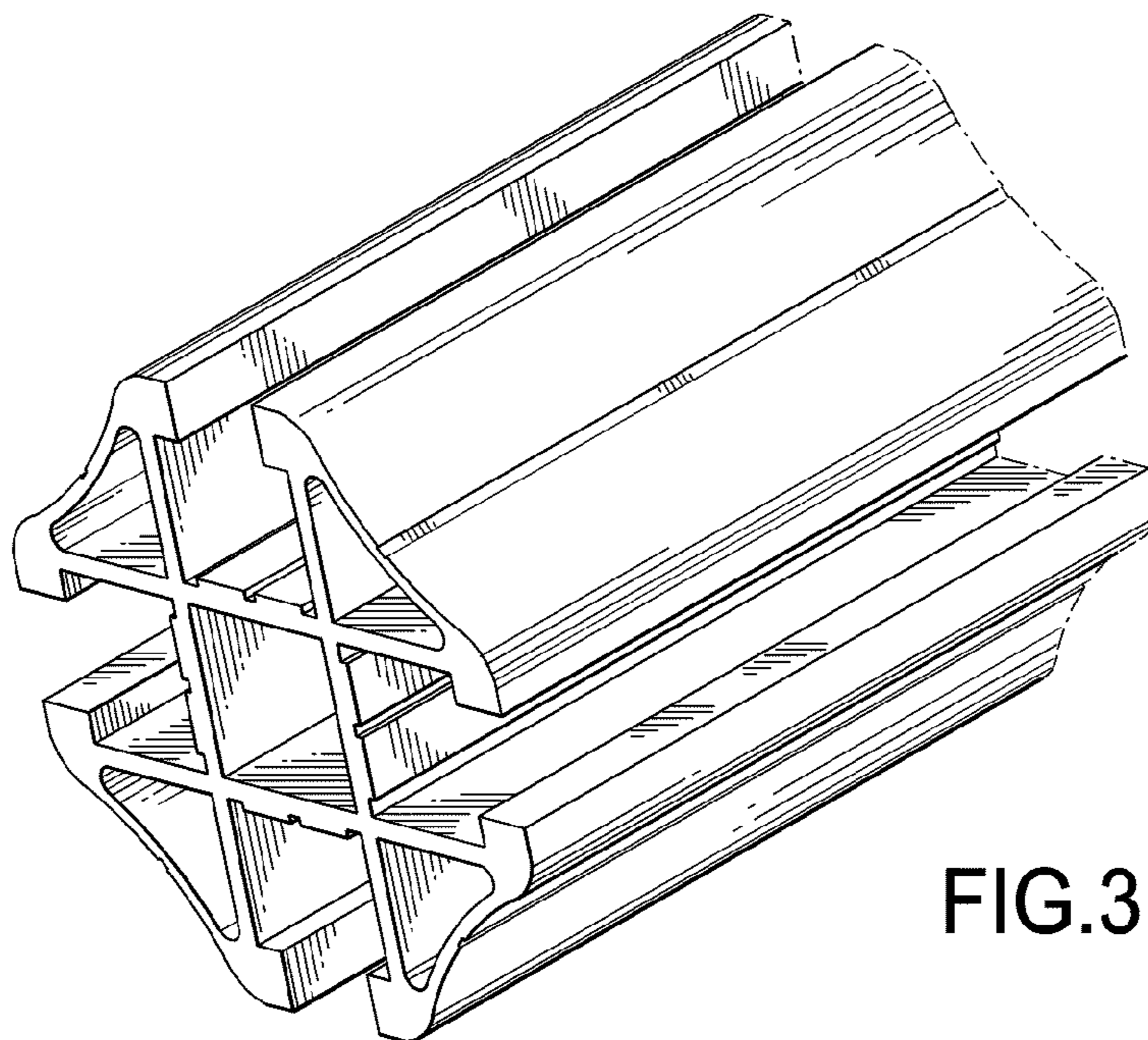


FIG.3



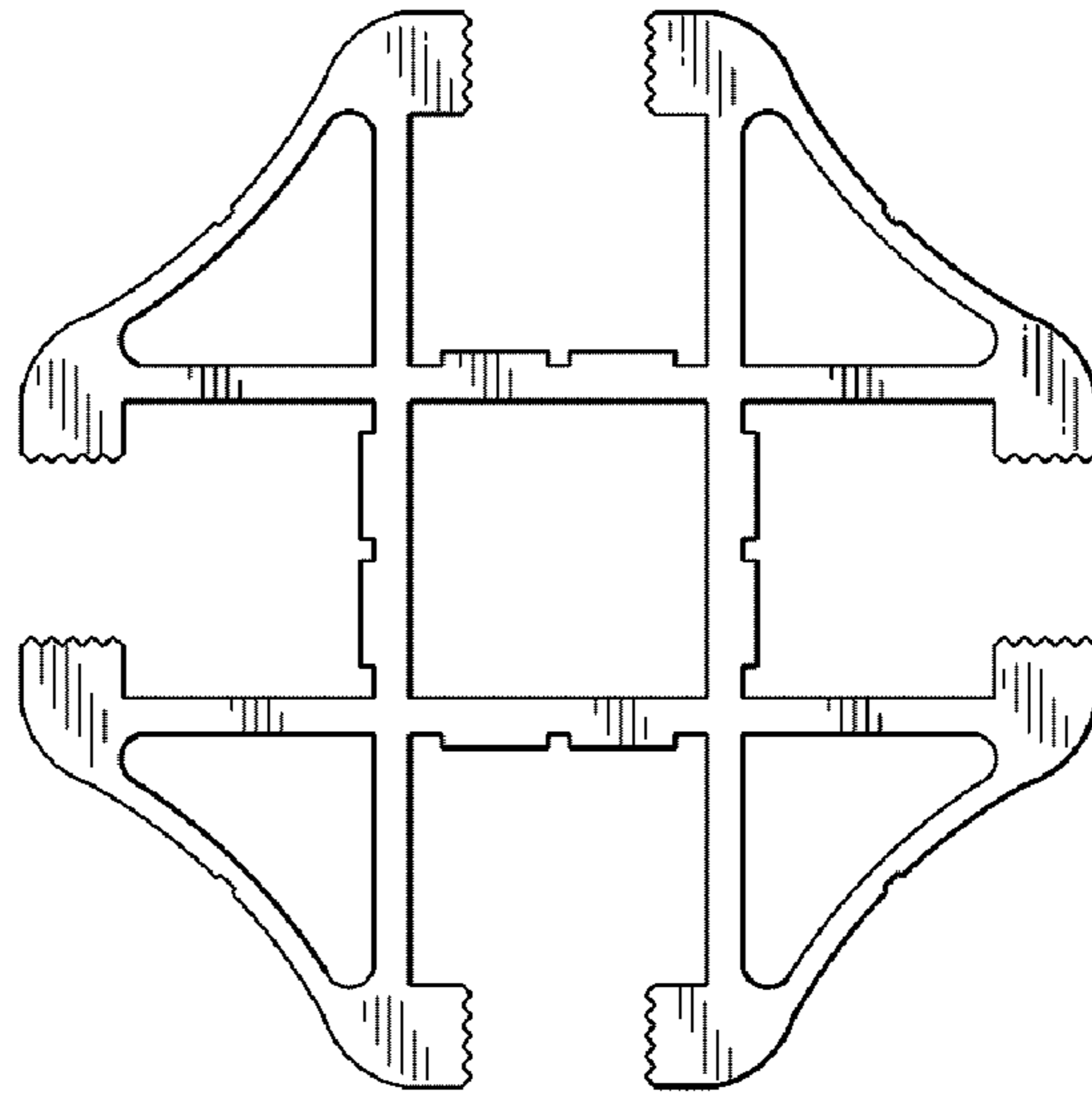


FIG. 4

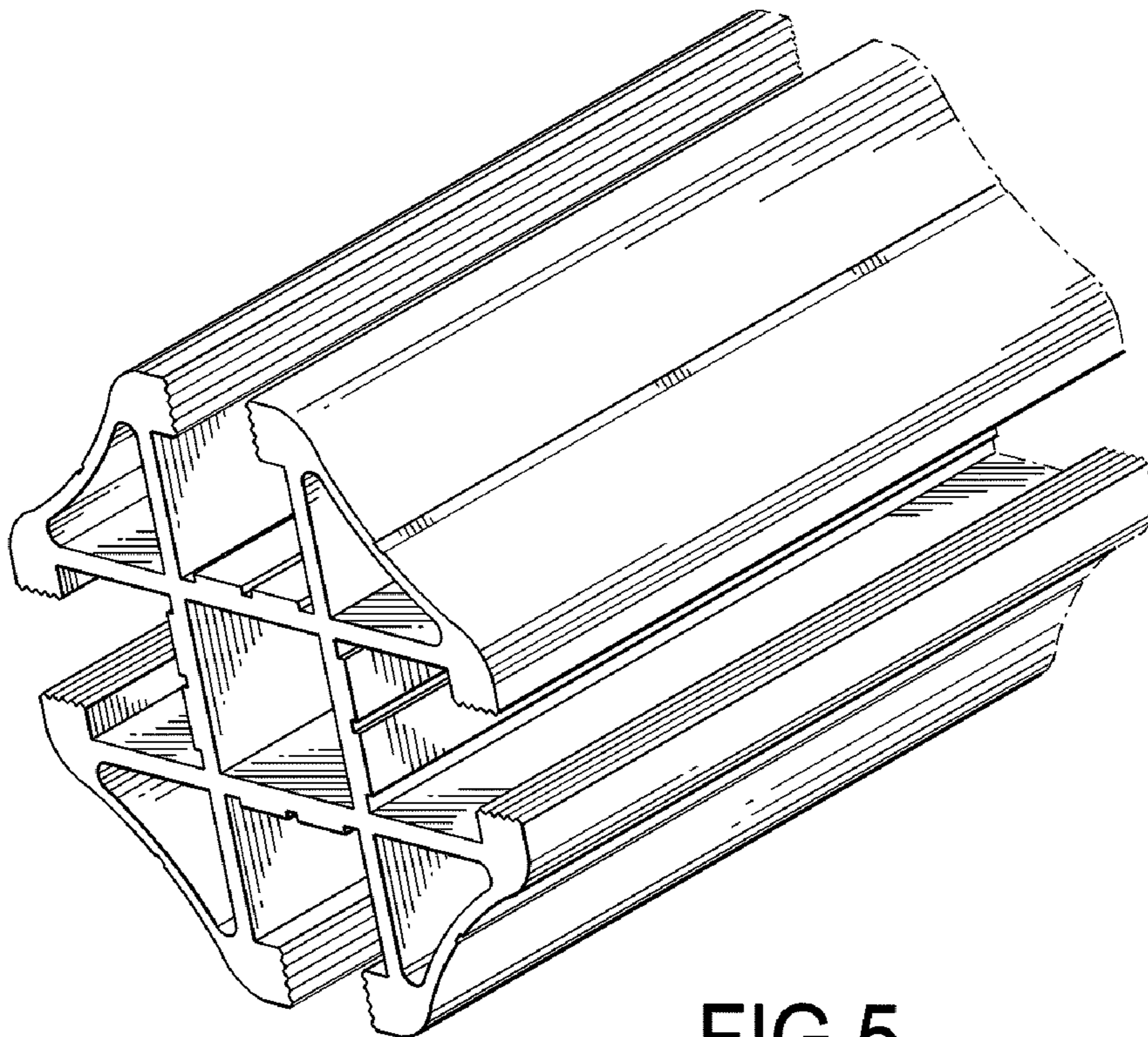


FIG. 5