



US00D617173S

(12) **United States Design Patent**  
**Anzalone et al.**

(10) **Patent No.:** **US D617,173 S**  
(45) **Date of Patent:** **\*\* Jun. 8, 2010**

(54) **LIGHT SWITCH COVER**

*Primary Examiner*—Mark A Goodwin

(75) Inventors: **Christopher Anzalone**, Foothill Ranch, CA (US); **Gary Stanley Seehoff**, Encino, CA (US)

(57) **CLAIM**

The ornamental design for light switch cover, as shown and described.

(73) Assignee: **Evrholder Products LLC**, Anaheim, CA (US)

**DESCRIPTION**

(\*\*) Term: **14 Years**

FIG. 1 is a top plan view of a first embodiment of light switch cover showing our new design;

(21) Appl. No.: **29/343,834**

FIG. 2 is a front view thereof;

(22) Filed: **Sep. 20, 2009**

FIG. 3 is a right side view thereof;

(51) **LOC (9) Cl.** ..... **11-05**

FIG. 4 is a left side view thereof;

(52) **U.S. Cl.** ..... **D8/353**

FIG. 5 is a rear view thereof;

(58) **Field of Classification Search** ..... D8/350–353;  
D13/156, 177, 152, 154, 158, 173, 169, 171,  
D13/139.1–139.8, 146, 147; D14/159; D25/60;  
174/66, 67; 220/241, 3.92, 3.5–3.8, 242;  
439/536, 535, 892; 200/303; 248/273; 292/357  
See application file for complete search history.

FIG. 6 is a bottom plan view thereof;

FIG. 7 is a cross sectional view thereof taken along line 7—7 of FIG. 2;

FIG. 8 is a top front perspective view thereof;

(56) **References Cited**

**U.S. PATENT DOCUMENTS**

3,113,996	A *	12/1963	Sanford	174/67
3,331,915	A *	7/1967	Lucci	174/66
D236,567	S *	9/1975	Ballin	D6/323
4,339,045	A *	7/1982	Bodin	211/85.9
4,566,666	A *	1/1986	Meska et al.	248/558
D323,285	S *	1/1992	Thomson	D8/372
D402,271	S *	12/1998	Weinberg	D13/177
D405,347	S *	2/1999	Mezey	D8/353
6,130,384	A *	10/2000	Esteves et al.	174/66
D455,331	S *	4/2002	Keenum et al.	D8/353
7,255,588	B2 *	8/2007	Wilder	439/373

FIG. 9 is an exploded bottom front perspective view thereof;

FIG. 10 is a top plan view of a second embodiment of light switch cover showing our new design;

FIG. 11 is a front view thereof;

FIG. 12 is a right side view thereof;

FIG. 13 is a left side view thereof;

FIG. 14 is a rear view thereof;

FIG. 15 is a bottom plan view thereof;

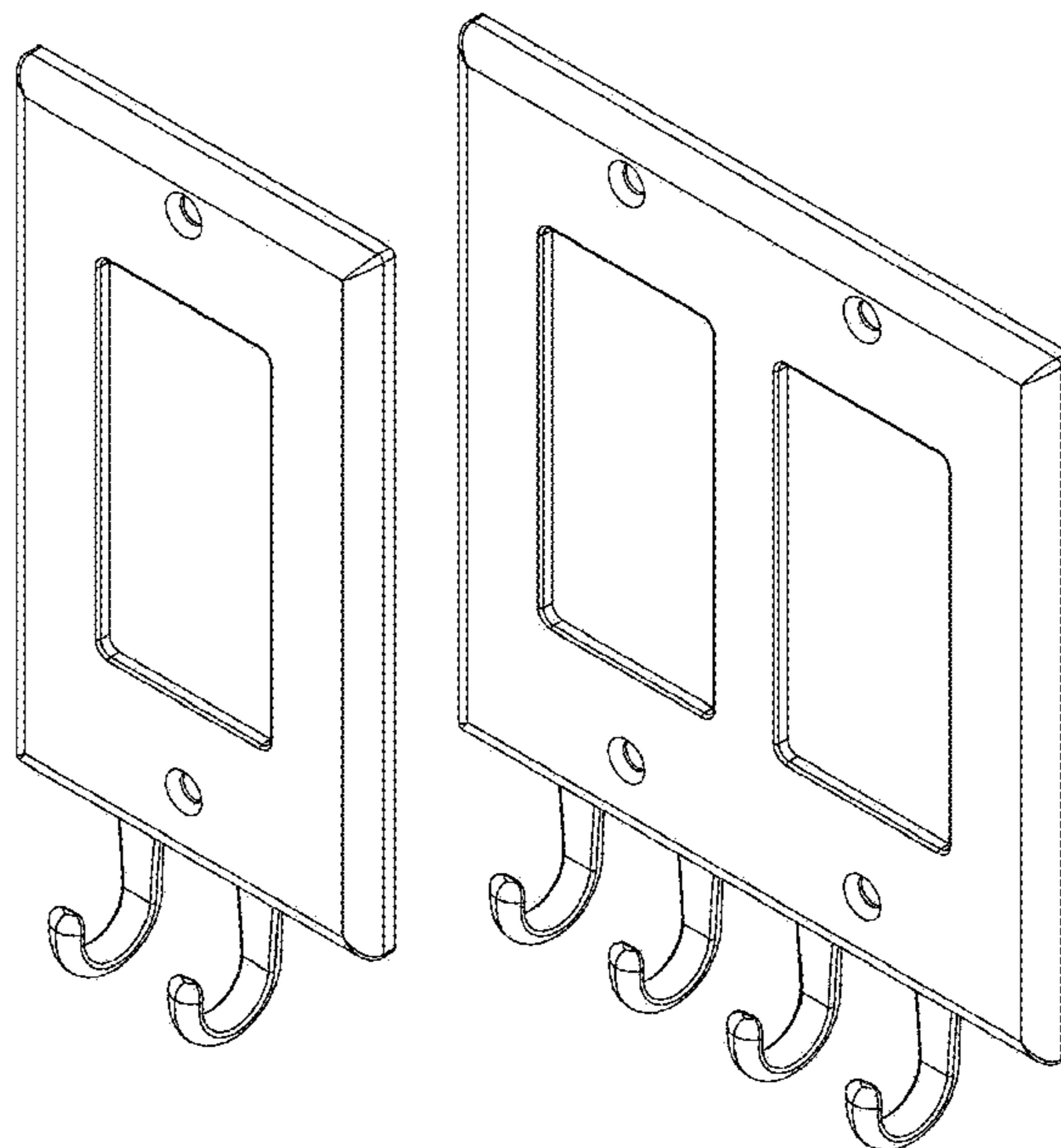
FIG. 16 is a cross sectional view thereof taken along line 16—16 of FIG. 11;

FIG. 17 is a top front perspective view thereof; and,

FIG. 18 is an exploded bottom front perspective view thereof.

\* cited by examiner

**1 Claim, 19 Drawing Sheets**



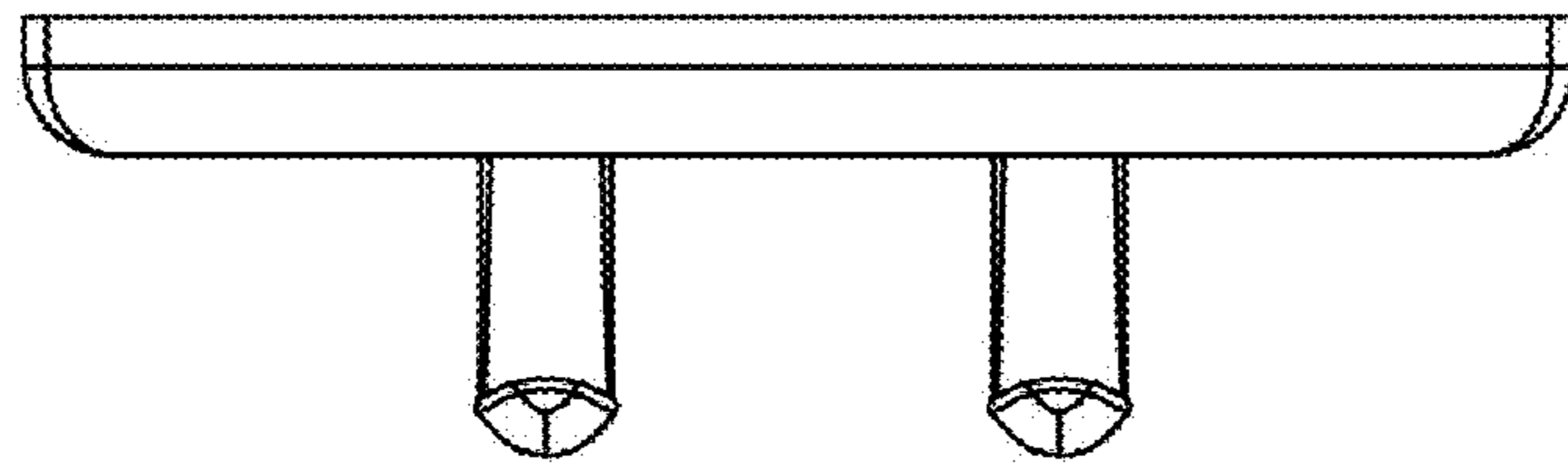


Fig. 1

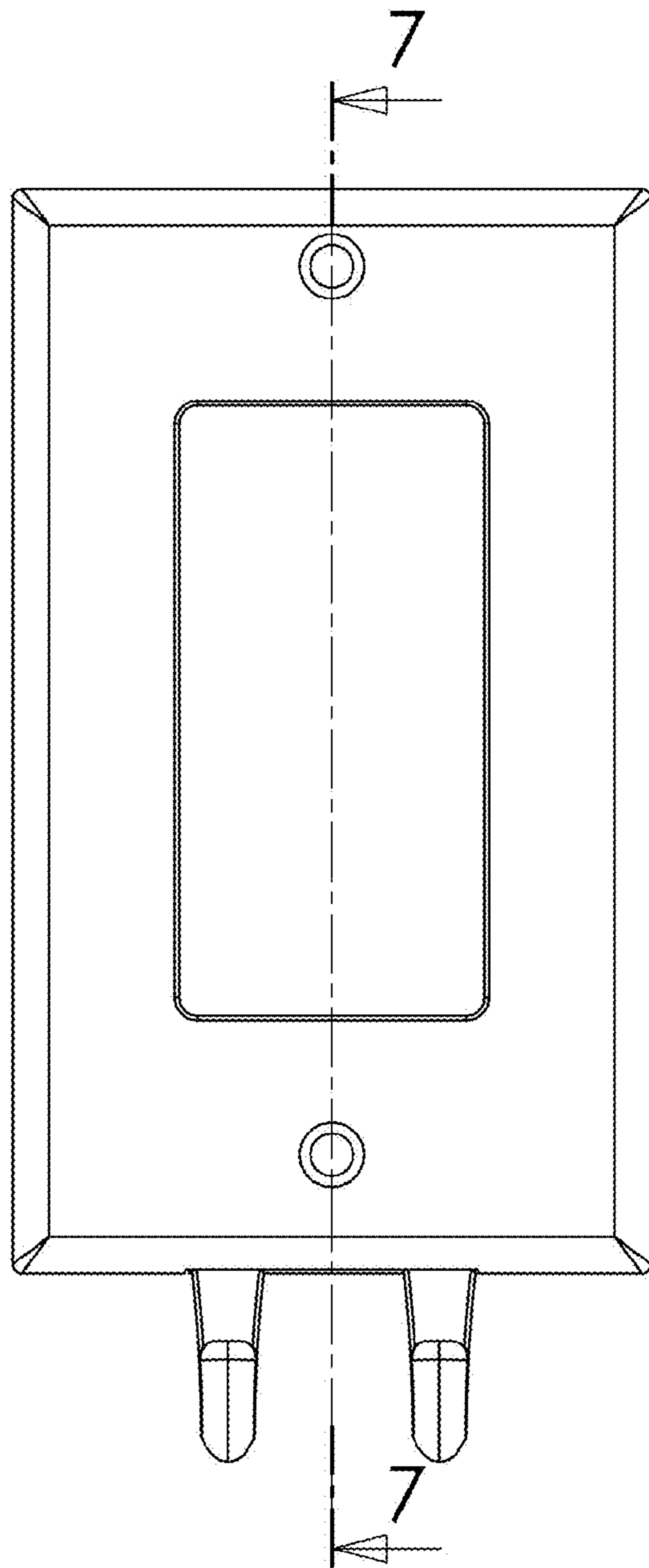


Fig. 2

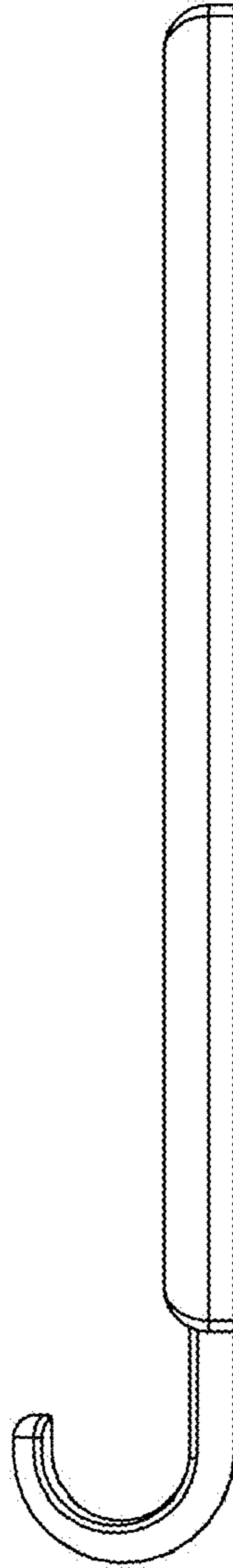


Fig. 3

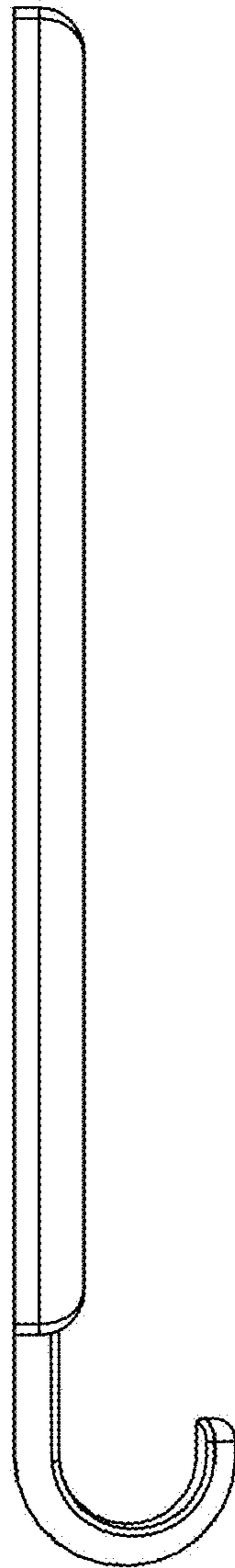


Fig. 4

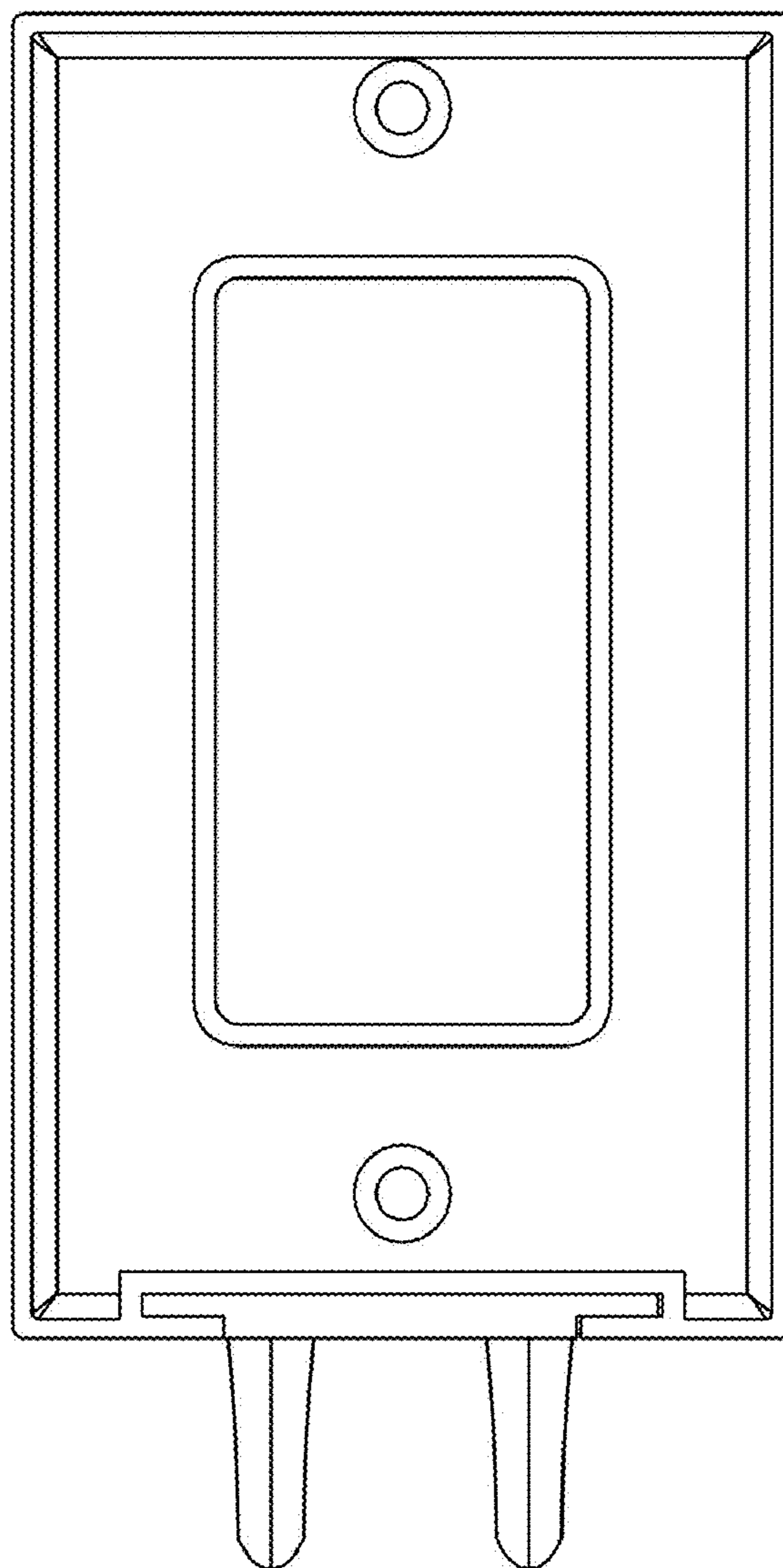


Fig. 5

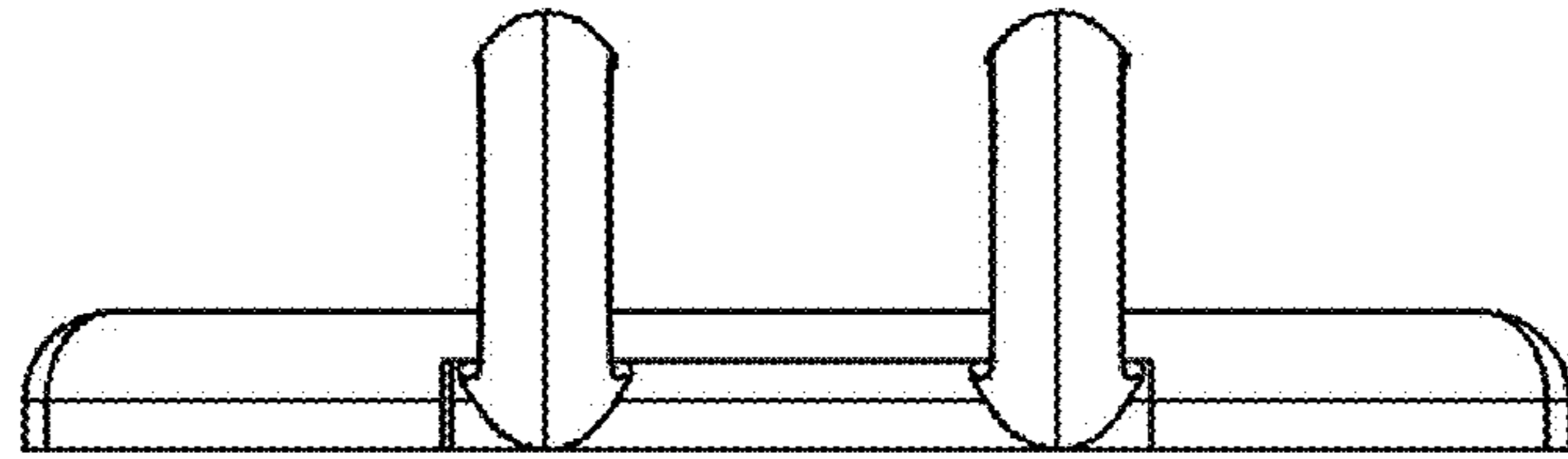


Fig. 6

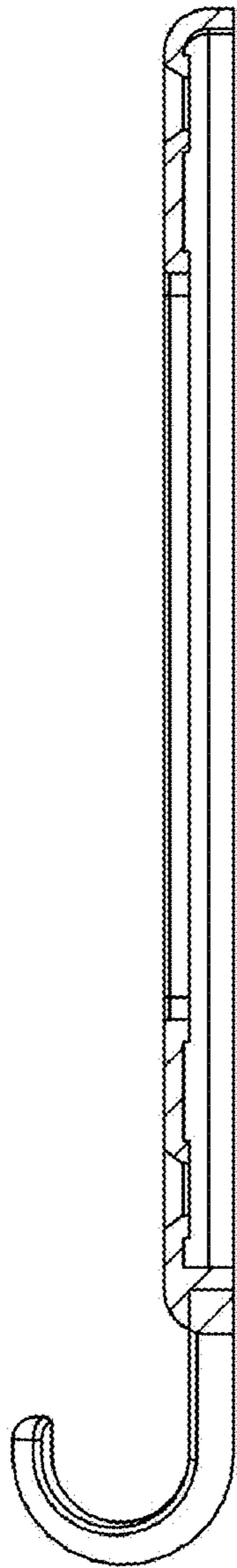


Fig. 7



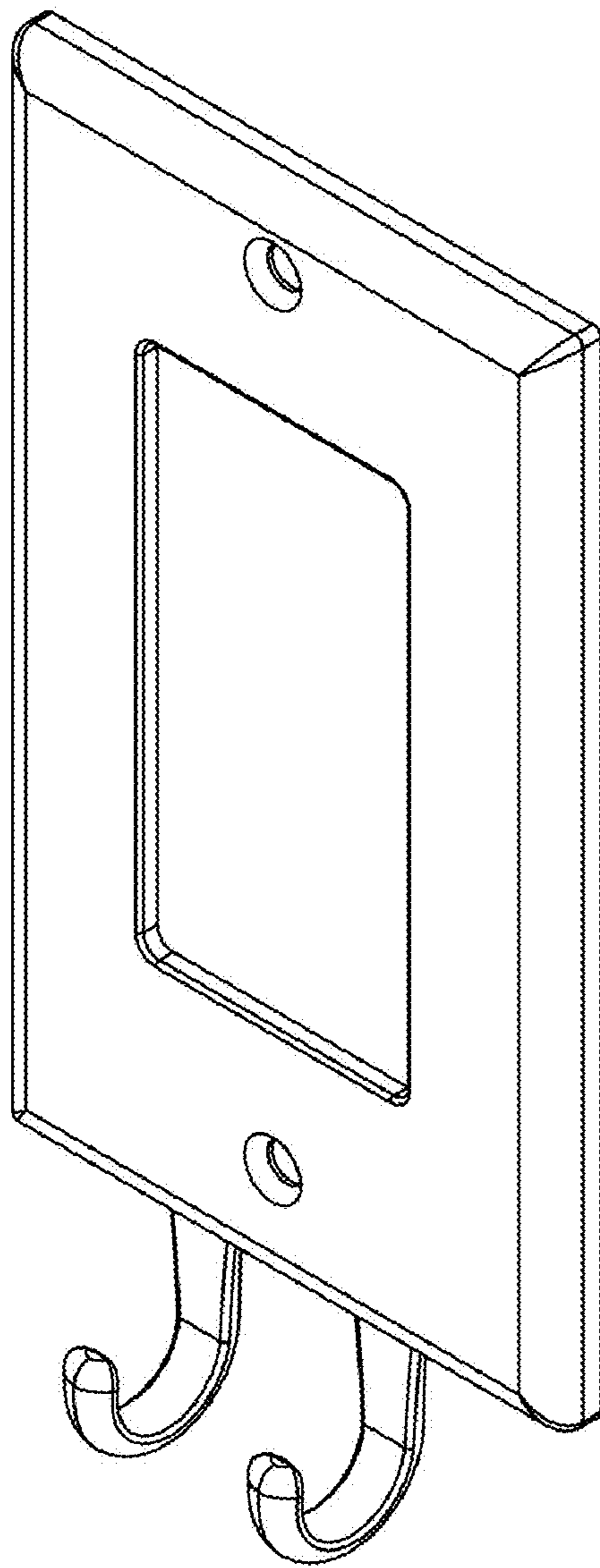


Fig. 8

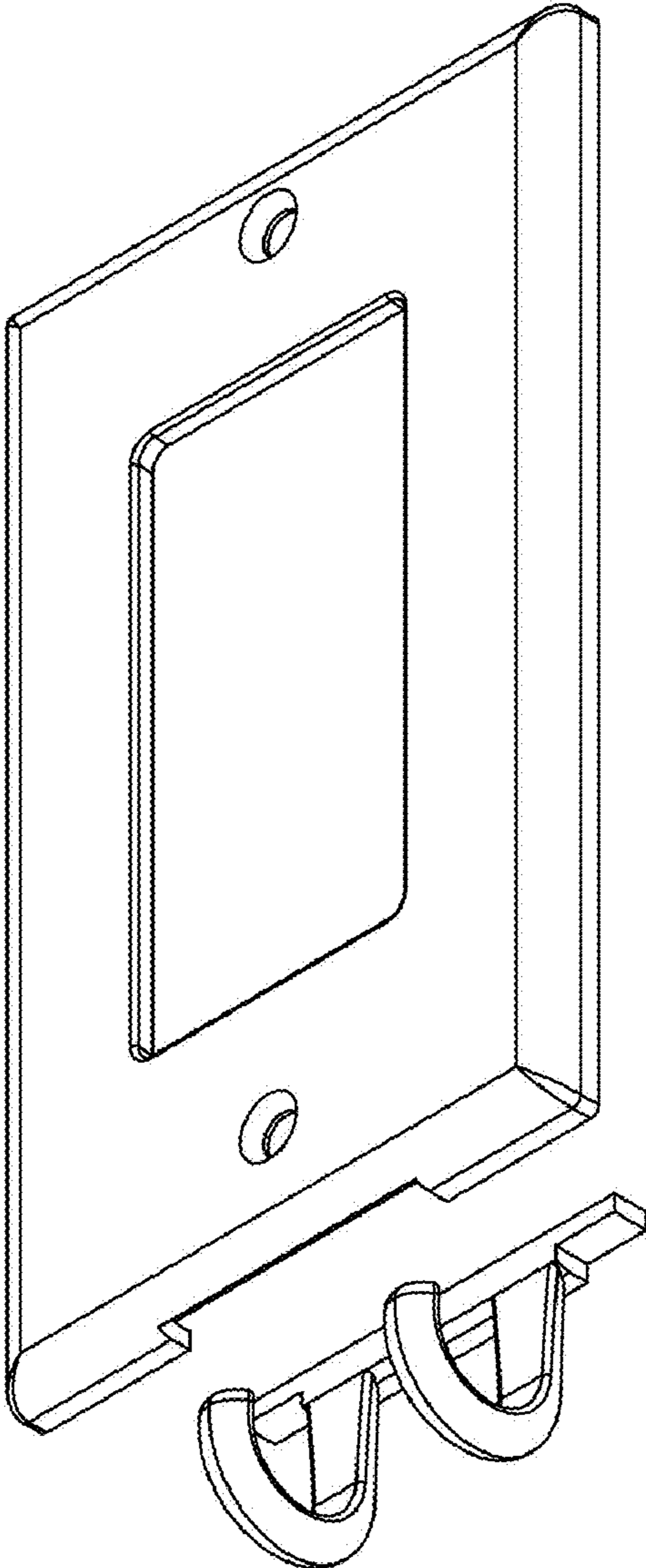


Fig. 9

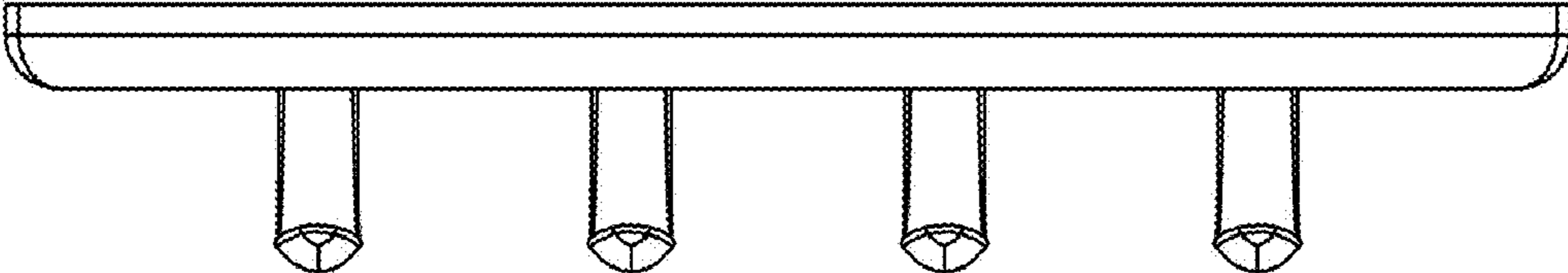


Fig. 10

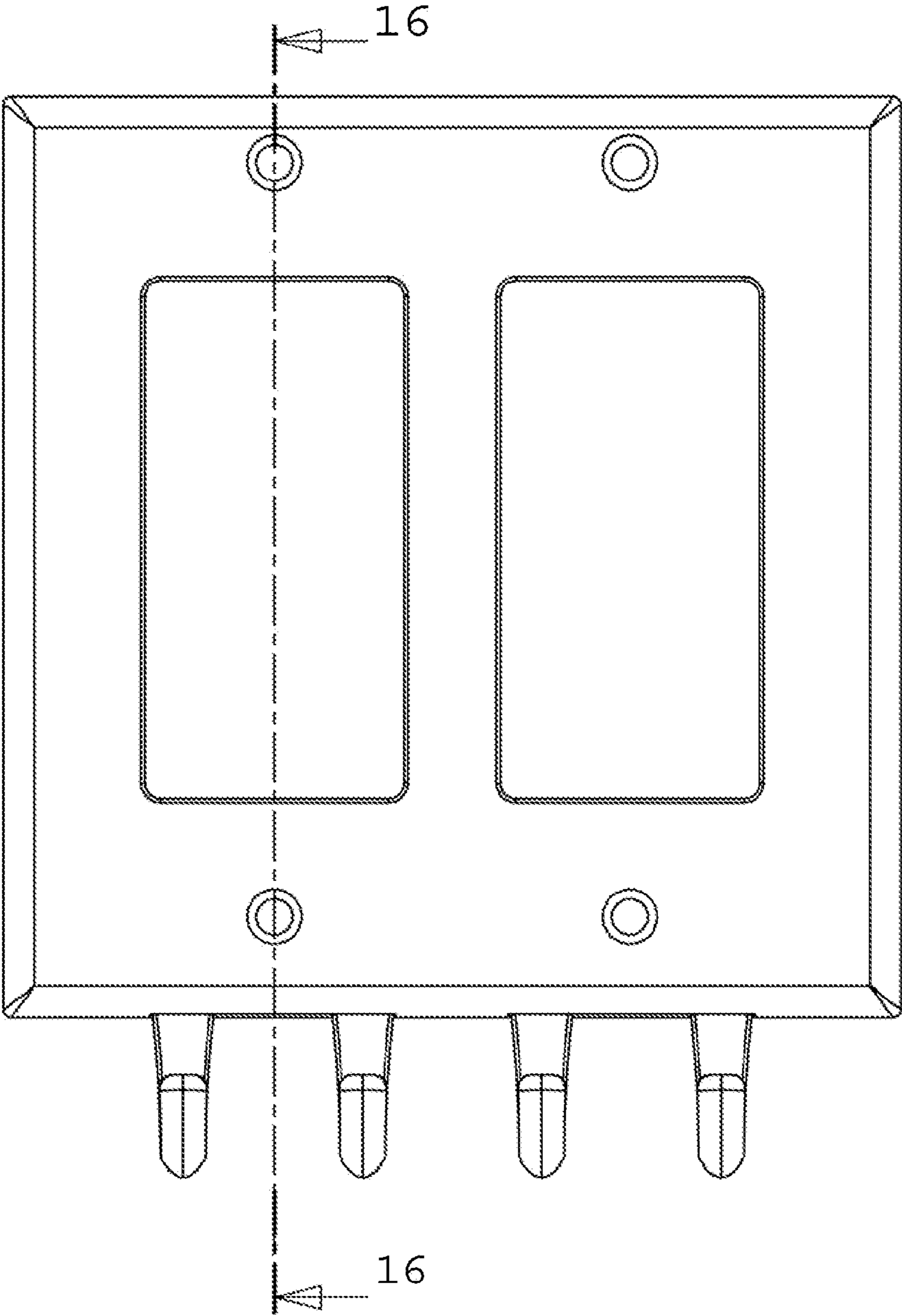


Fig. 11

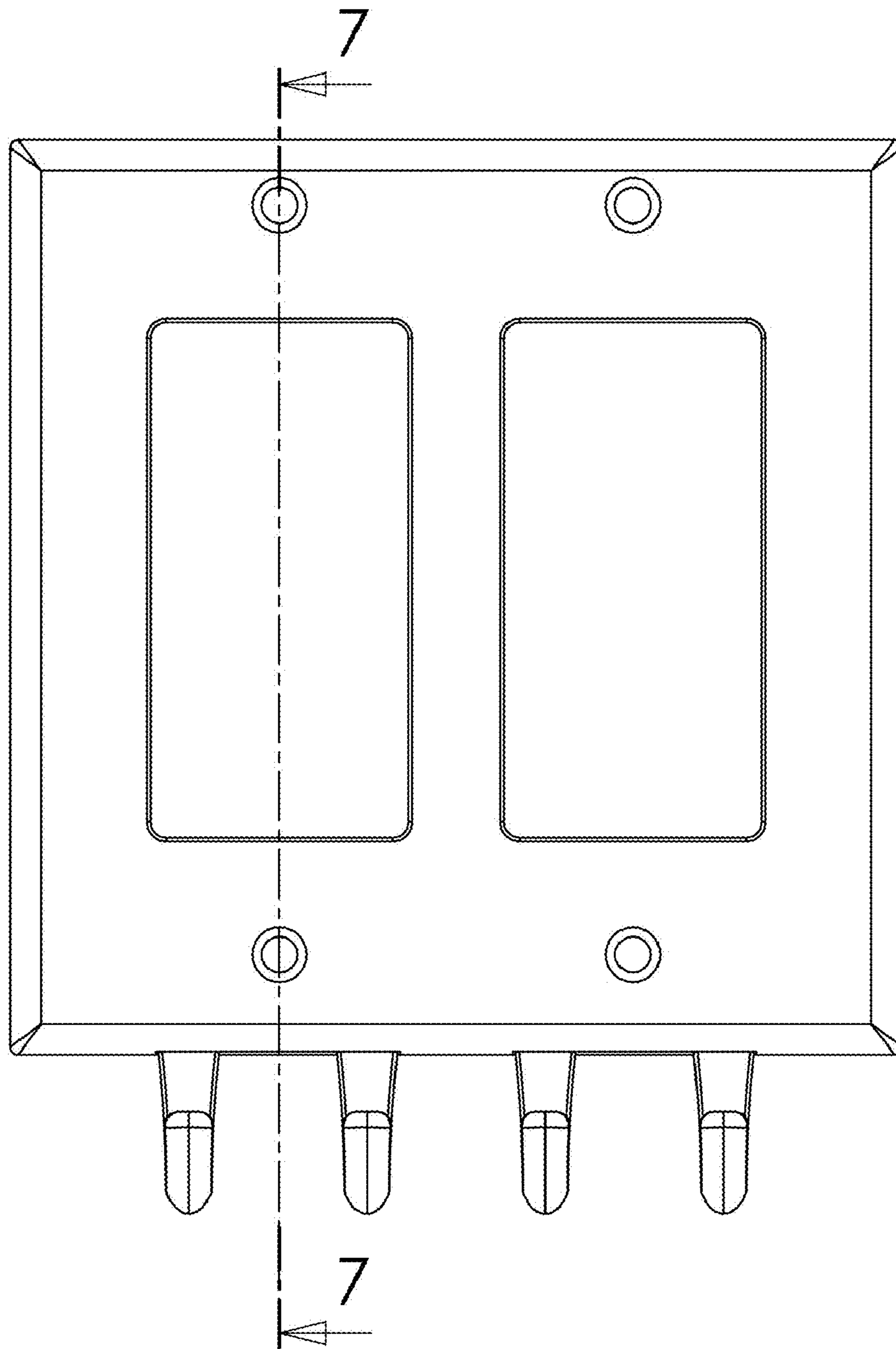


Fig. 11

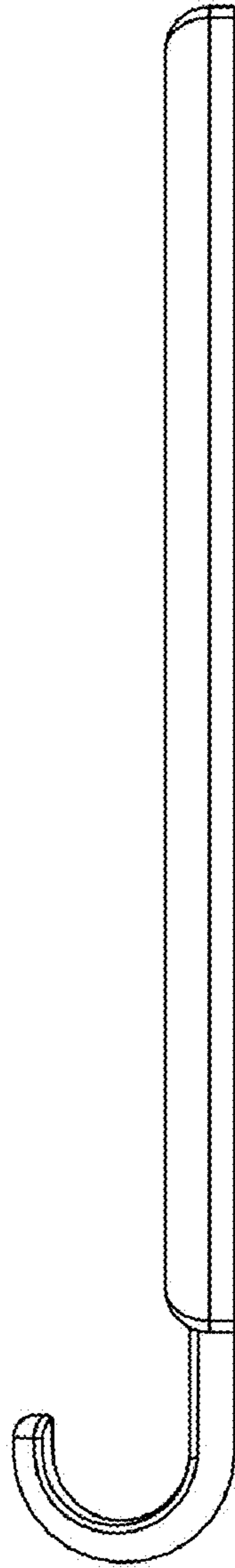


Fig. 12

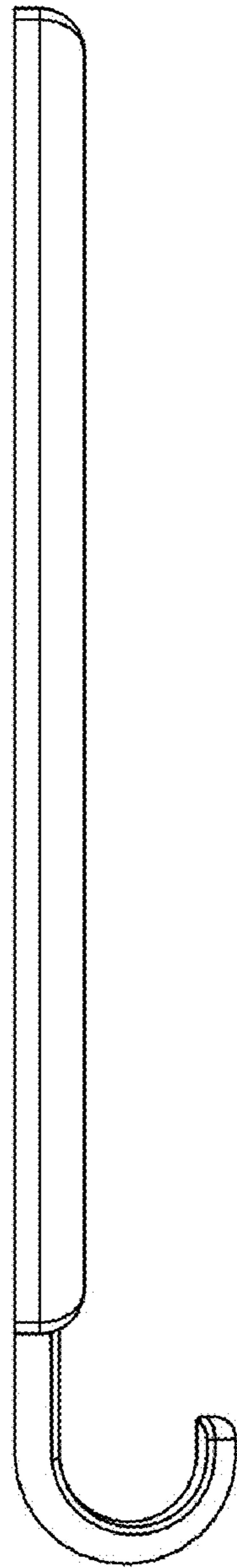


Fig. 13

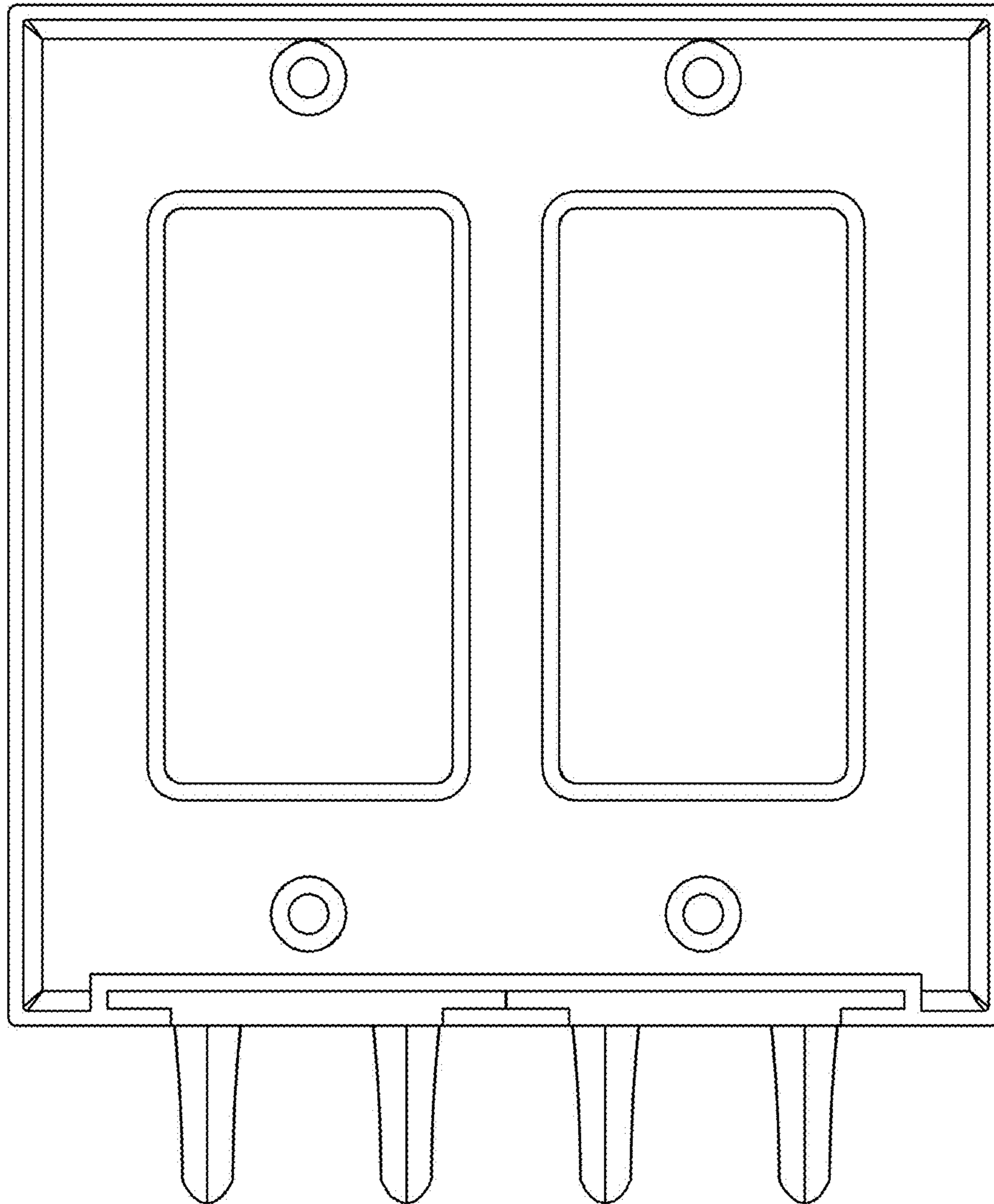


Fig. 14



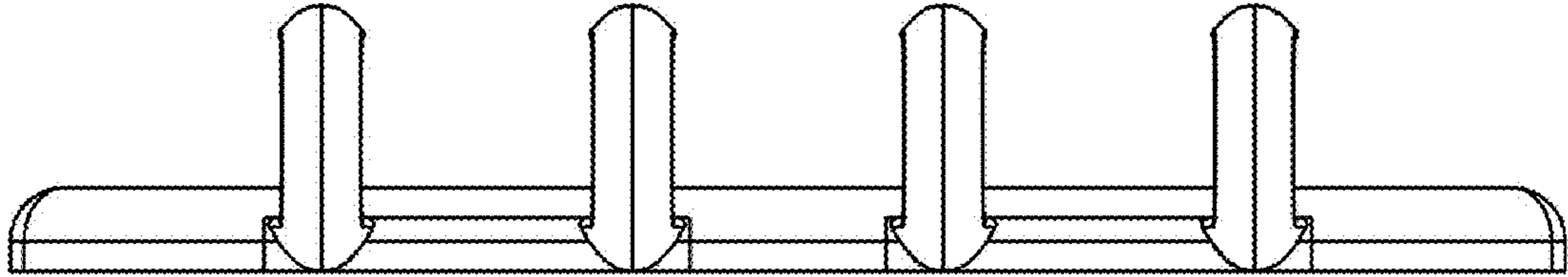


Fig. 15

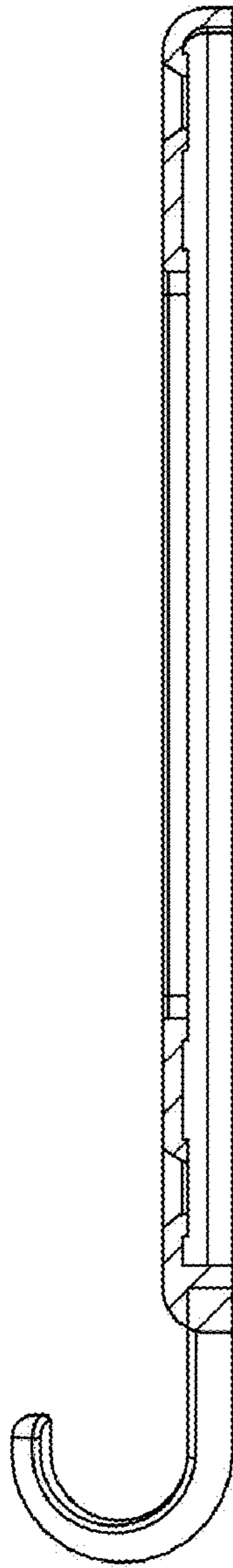


Fig. 16

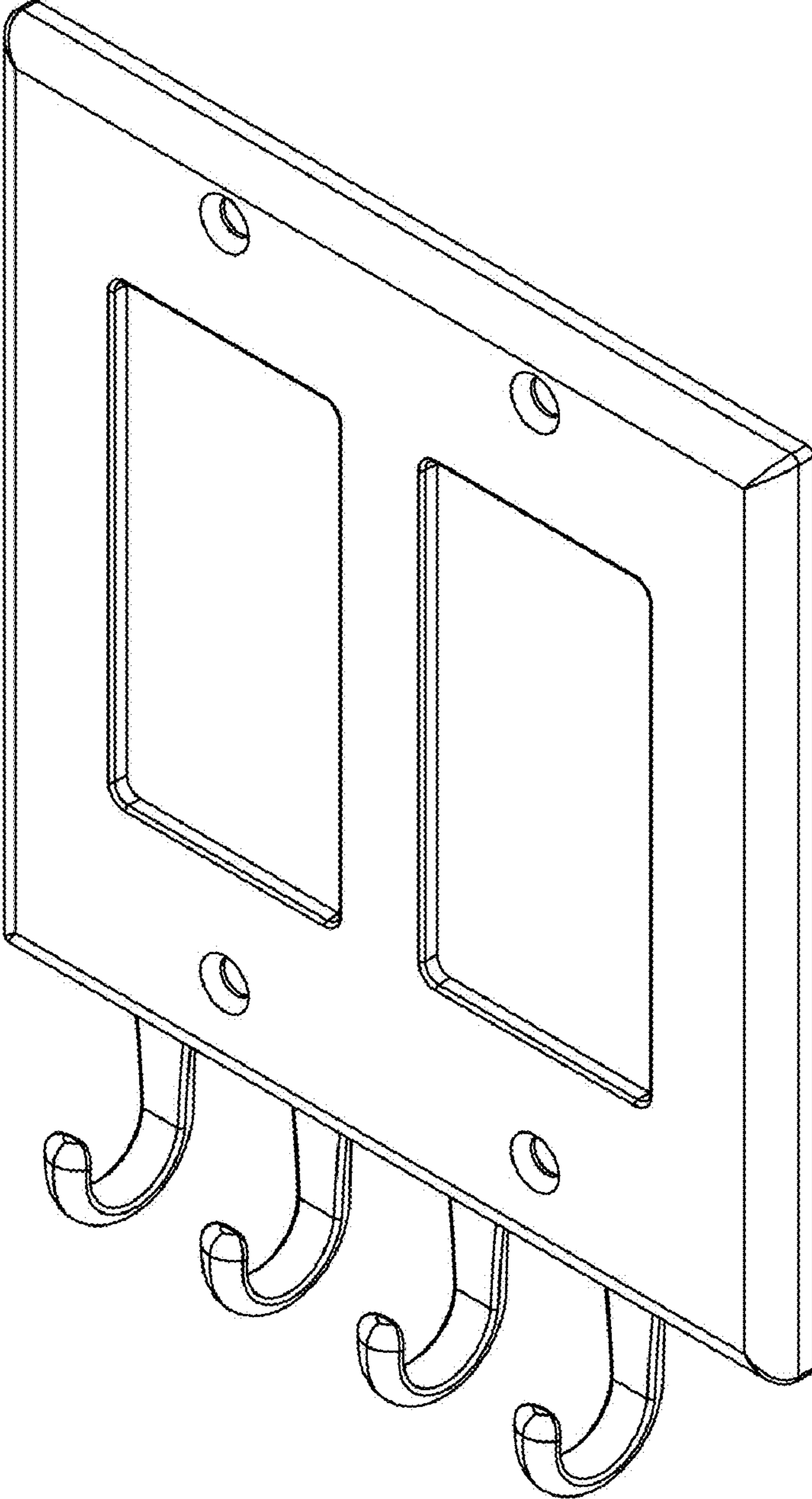


Fig. 17

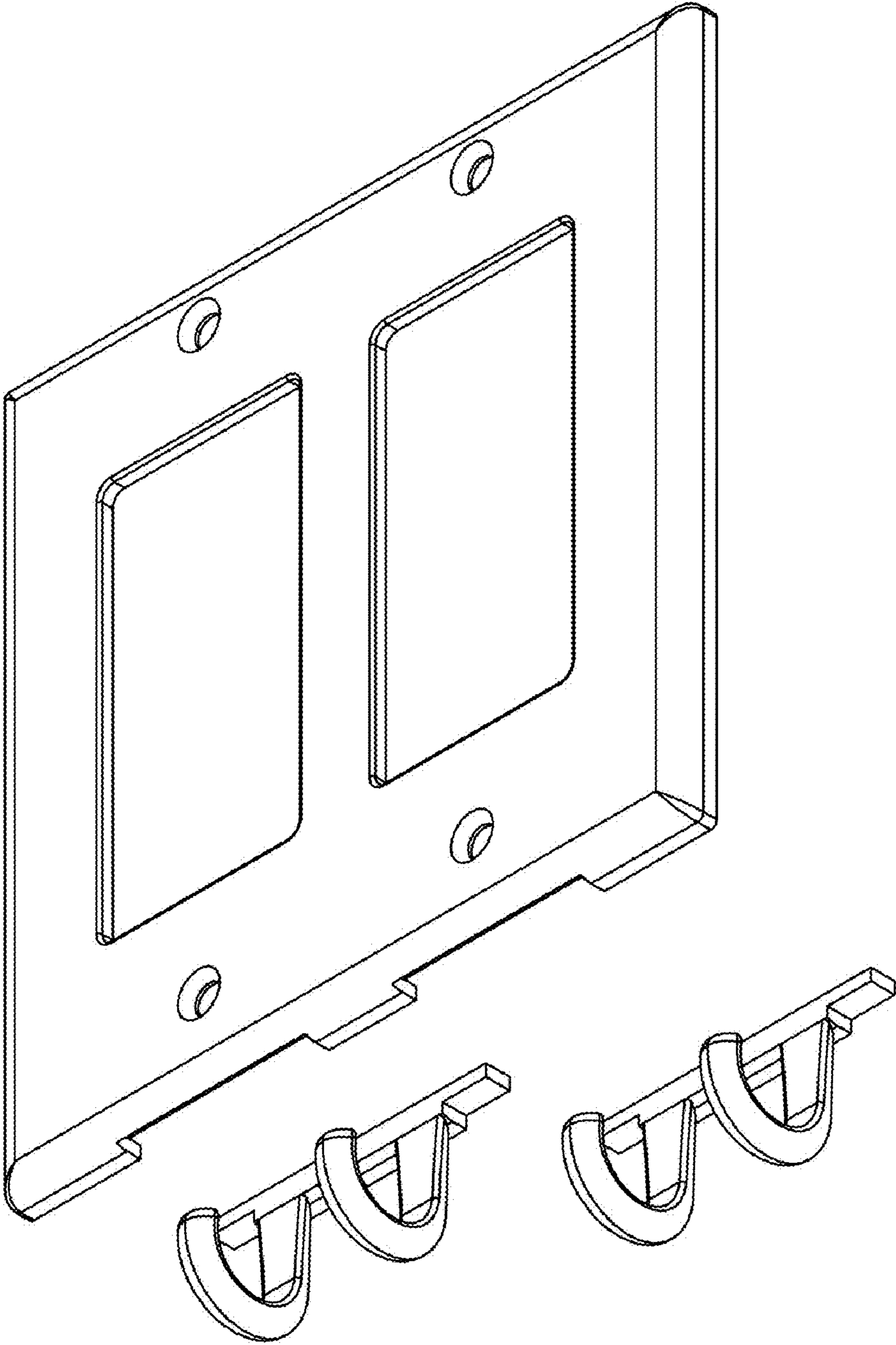


Fig. 18