



US00D617172S

(12) **United States Design Patent**
DiVito

(10) **Patent No.:** **US D617,172 S**

(45) **Date of Patent:** **** *Jun. 8, 2010**

(54) **CAM FOR CAM LOCK**

(76) Inventor: **Thomas J DiVito**, 126 Roaring Brook Dr., Southington, CT (US) 06489

(*) Notice: This patent is subject to a terminal disclaimer.

(**) Term: **14 Years**

(21) Appl. No.: **29/310,640**

(22) Filed: **Sep. 2, 2008**

(51) **LOC (9) Cl.** **08-07**

(52) **U.S. Cl.** **D8/343**

(58) **Field of Classification Search** D8/330,
D8/331, 343, 346; 70/51, 141, 158, 431;
292/27, 37, 49, 65, 83, 111, 124, 132, 98,
292/159, 165, 169, 170, 182, 140, 215, 224,
292/232, 234, 197, 245, 257

See application file for complete search history.

(56) **References Cited**

U.S. PATENT DOCUMENTS

2,326,456	A *	8/1943	Gouin	49/72
5,010,749	A *	4/1991	Lin	70/190
5,149,152	A *	9/1992	Lanius	292/37
D352,884	S *	11/1994	Schlack	D8/331
5,724,840	A *	3/1998	DiVito	70/371
D433,309	S *	11/2000	Johansson et al.	D8/331

6,926,315	B2 *	8/2005	Kondratuk	292/165
D546,661	S *	7/2007	Jackson, Jr.	D8/331
D551,941	S *	10/2007	Miao et al.	D8/336
D579,317	S *	10/2008	Sykes	D8/338
2007/0007773	A1 *	1/2007	Berkseth et al.	292/169

* cited by examiner

Primary Examiner—Prabhakar Deshmukh

(57) **CLAIM**

The ornamental design for a cam for cam lock, as shown and described.

DESCRIPTION

FIG. 1 is a perspective view of a cam for cam lock showing my new design;

FIG. 2 is a top view;

FIG. 3 is a left side view, the right side being symmetrical;

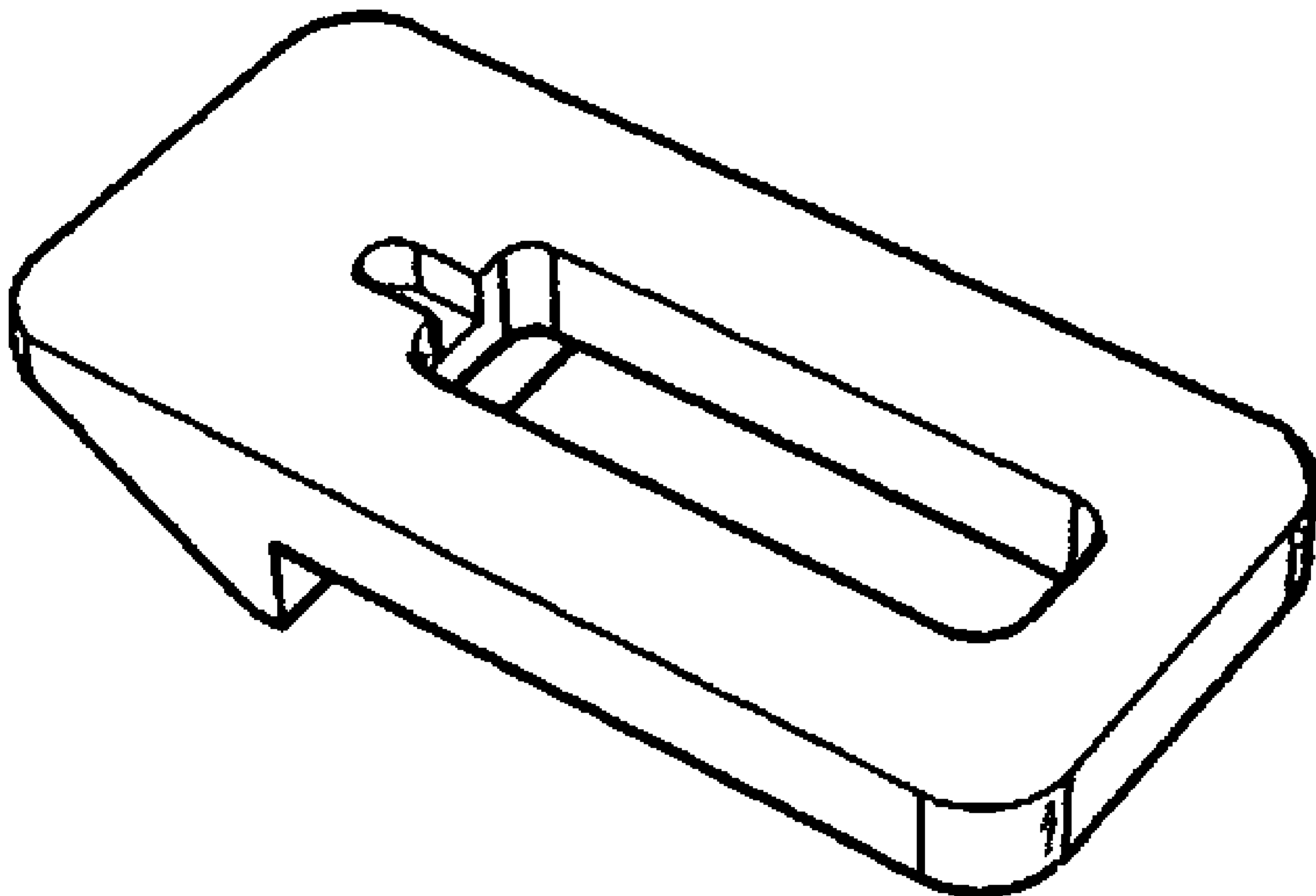
FIG. 4 is a bottom view;

FIG. 5 is an illustrative view of the cam mounted on a cam lock. The broken lines showing of a cam lock is for illustrative purposes only and forms no part of the claimed design;

FIG. 6 is an additional perspective view from the front and bottom; and,

FIG. 7 is an additional perspective view from the rear and bottom.

1 Claim, 1 Drawing Sheet



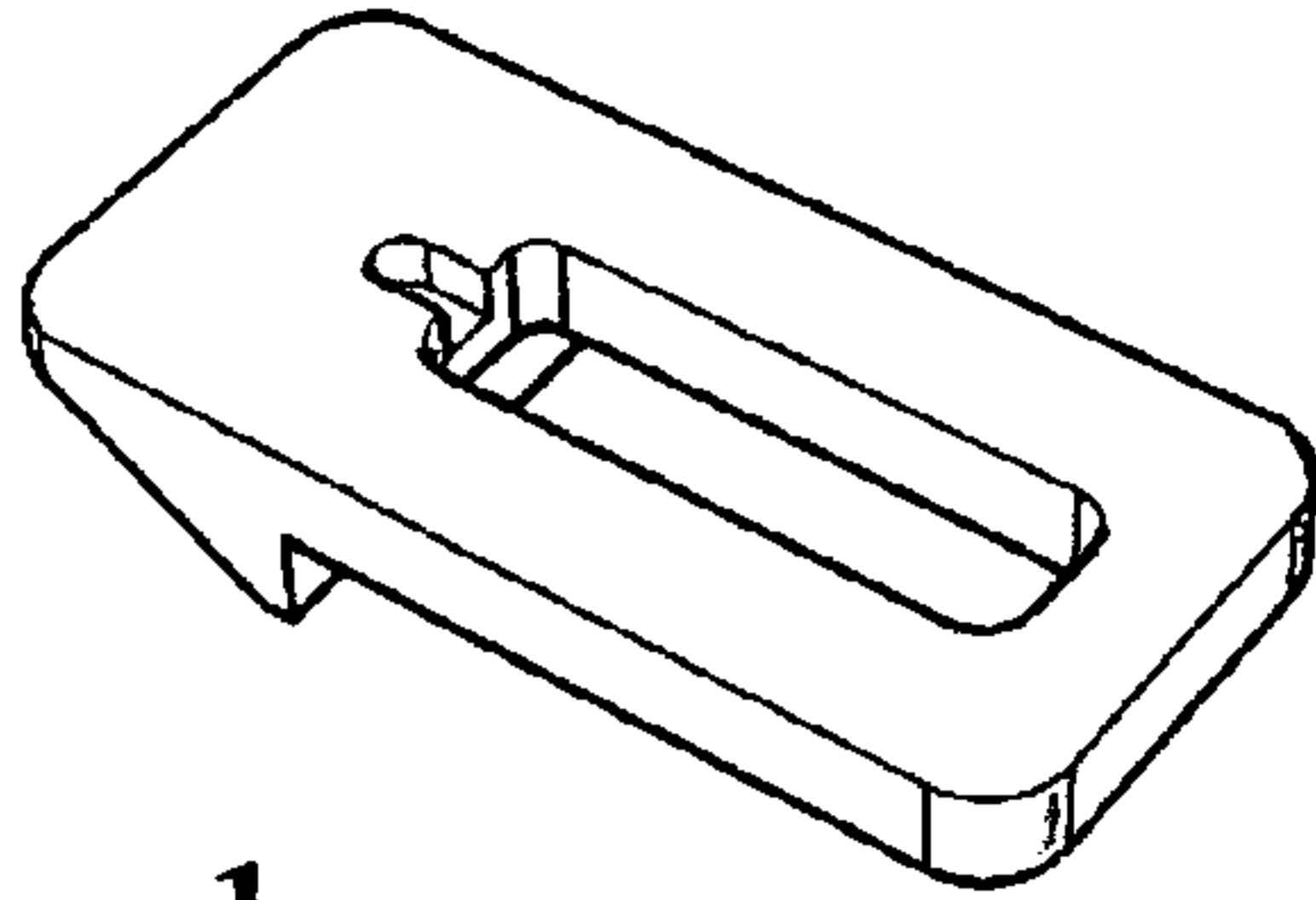


Fig. 1

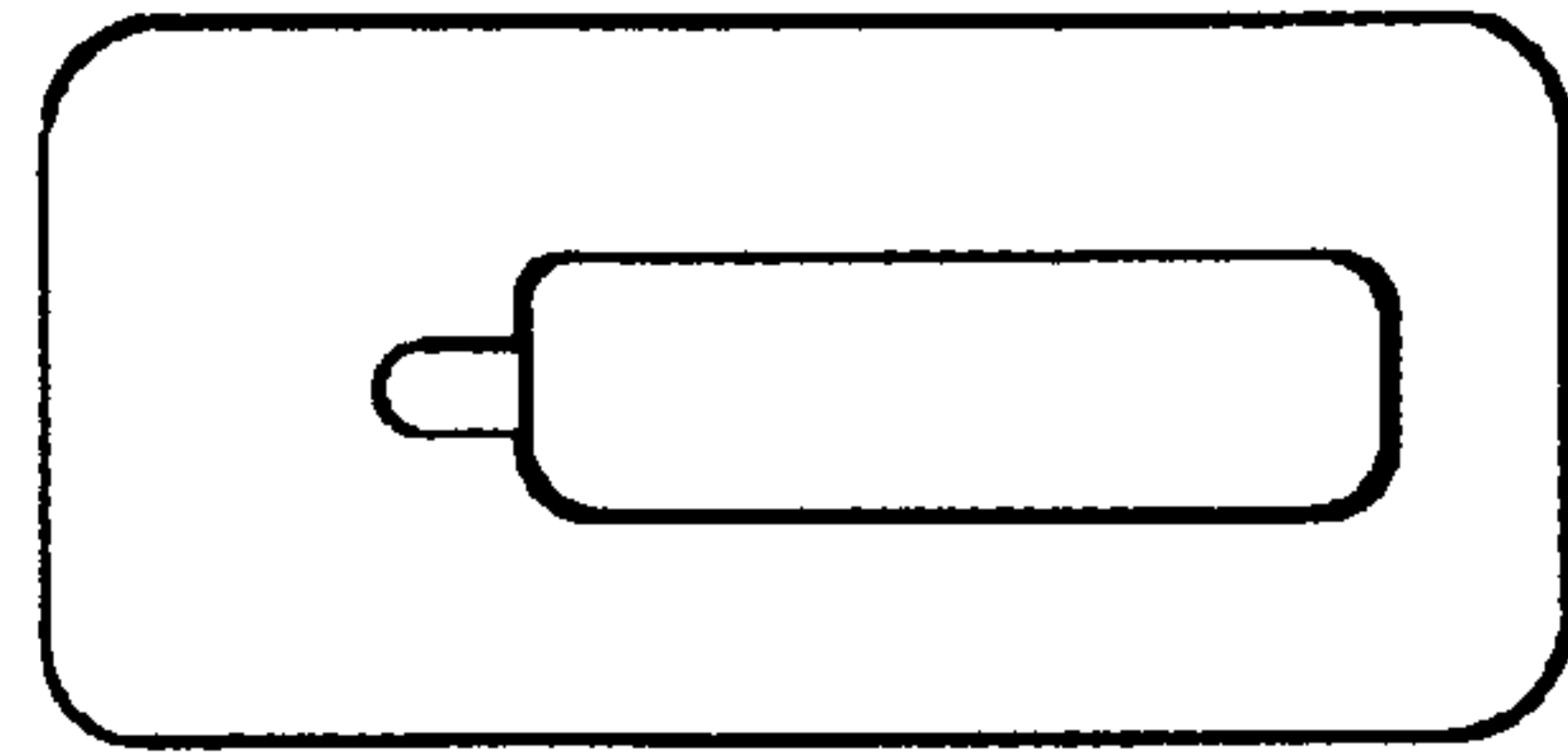


Fig. 2

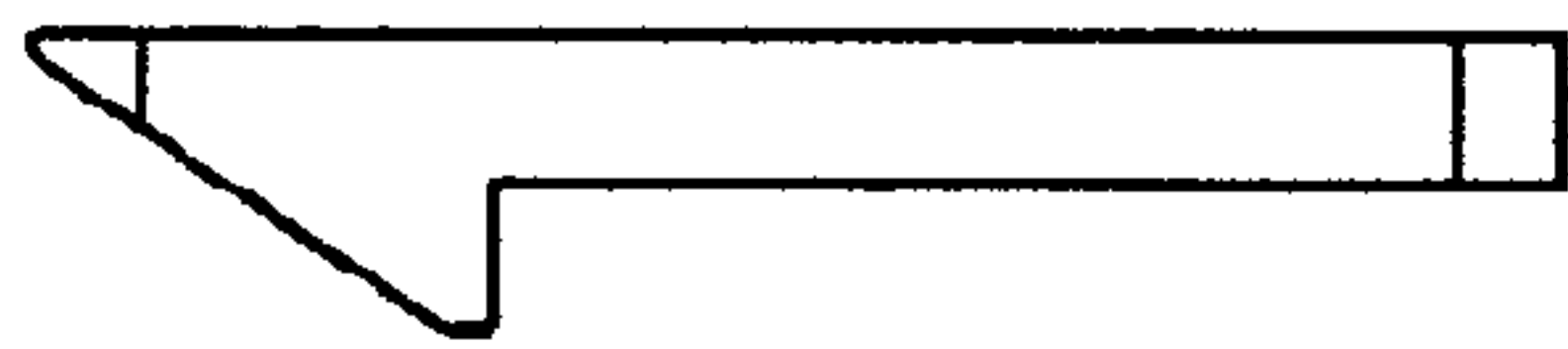


Fig. 3

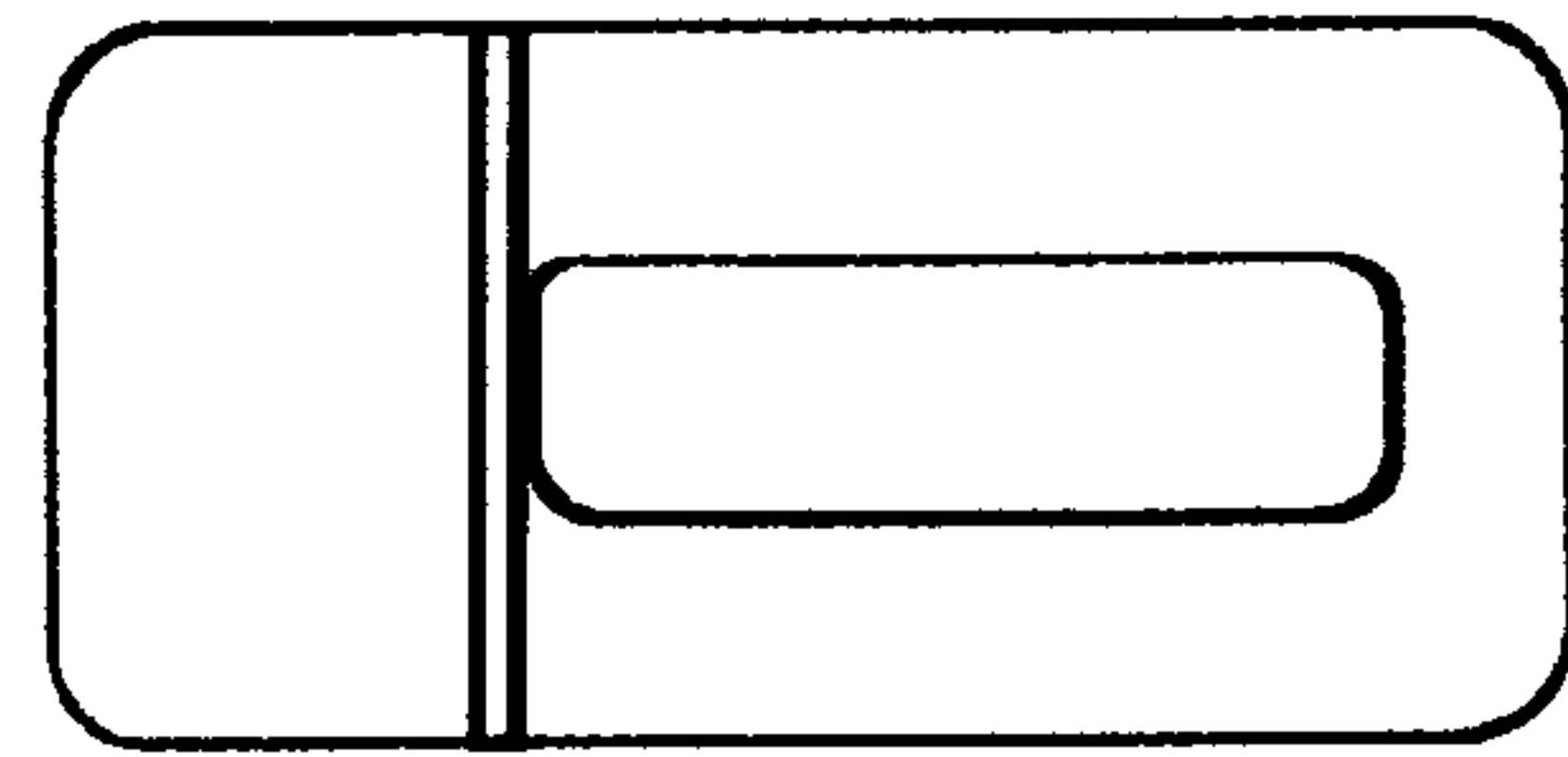


Fig. 4

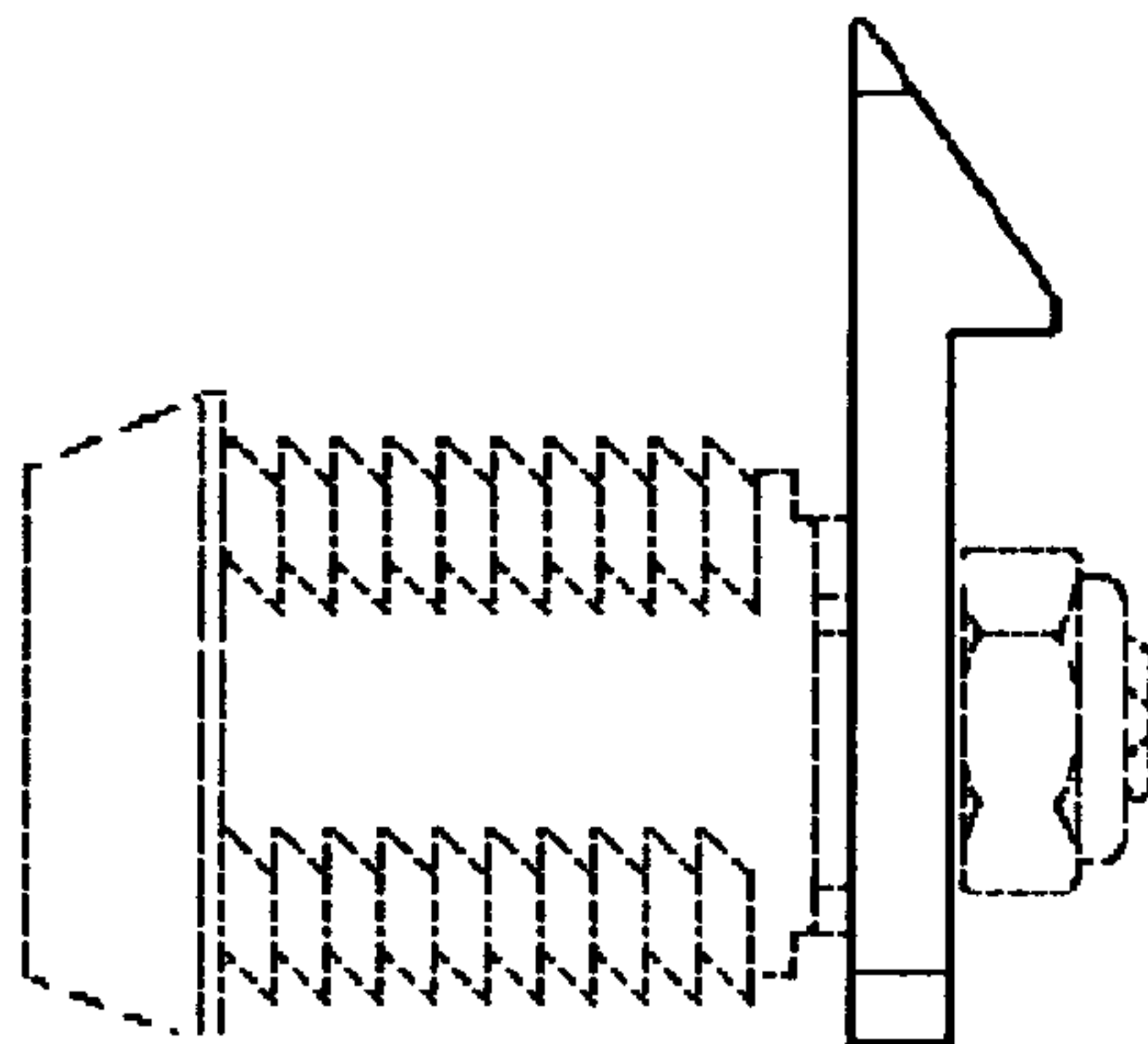


Fig. 5

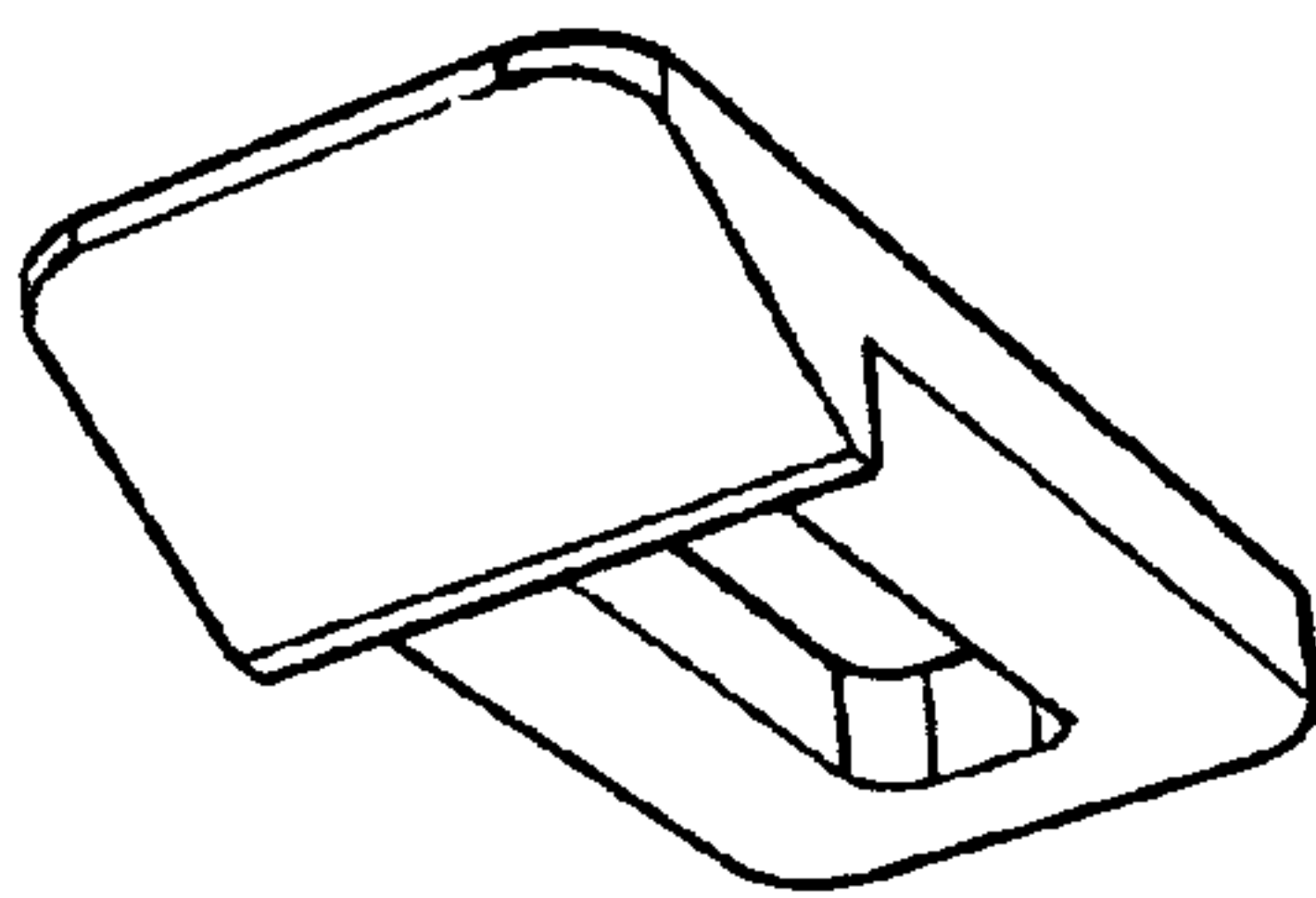


Fig. 6

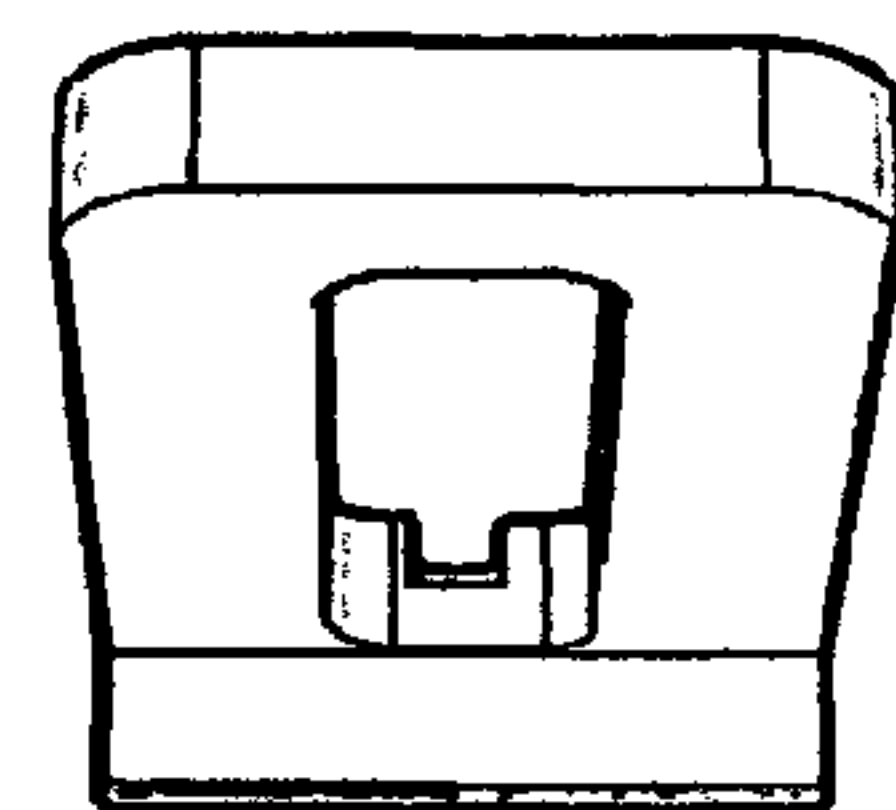


Fig. 7