



US00D617171S

(12) **United States Design Patent**  
**Chang**

(10) **Patent No.:** **US D617,171 S**

(45) **Date of Patent:** **\*\* Jun. 8, 2010**

(54) **TOOL SHANK**

(76) Inventor: **Ming-Chi Chang**, 12F-4, No. 666, Sec. 2, Wuquan W. Rd., Nantun District, Taichung City (TW) 40878

(\*\*) Term: **14 Years**

(21) Appl. No.: **29/345,011**

(22) Filed: **Oct. 8, 2009**

(51) **LOC (9) Cl.** ..... **08-05**

(52) **U.S. Cl.** ..... **D8/107**

(58) **Field of Classification Search** ..... D8/52, D8/54-56, 58, 95-99, 107; D22/118; D4/138; D32/40, 46, 49, 51; D15/18, 70, 142; 81/342, 81/367, 370, 418, 420, 424.5, 427.5, 380, 81/390, 324, 486, 489, 415-419, DIG. 9, 81/300, 302; 30/151-162, 329, 330, 511-517, 30/519; 294/54.5, 49, 51, 53.5, 55; 16/11 R, 16/111 R, 110.1, 430-431, 421-422, 426  
See application file for complete search history.

(56) **References Cited**

**U.S. PATENT DOCUMENTS**

D460,676 S \* 7/2002 Lin ..... D8/83

D474,097 S \* 5/2003 Hsiao ..... D8/107  
D551,052 S \* 9/2007 Lin ..... D8/107  
D575,603 S \* 8/2008 Shiao ..... D8/24  
D605,006 S \* 12/2009 Shiao ..... D8/24  
2004/0093745 A1 \* 5/2004 Liao ..... 30/519

\* cited by examiner

*Primary Examiner*—Cathron C Brooks

*Assistant Examiner*—Barbara Fox

(57) **CLAIM**

The ornamental design for a tool shank, as shown and described.

**DESCRIPTION**

FIG. 1 is a perspective view of a tool shank showing my new design;

FIG. 2 is a front elevational view thereof;

FIG. 3 is a rear elevational view thereof;

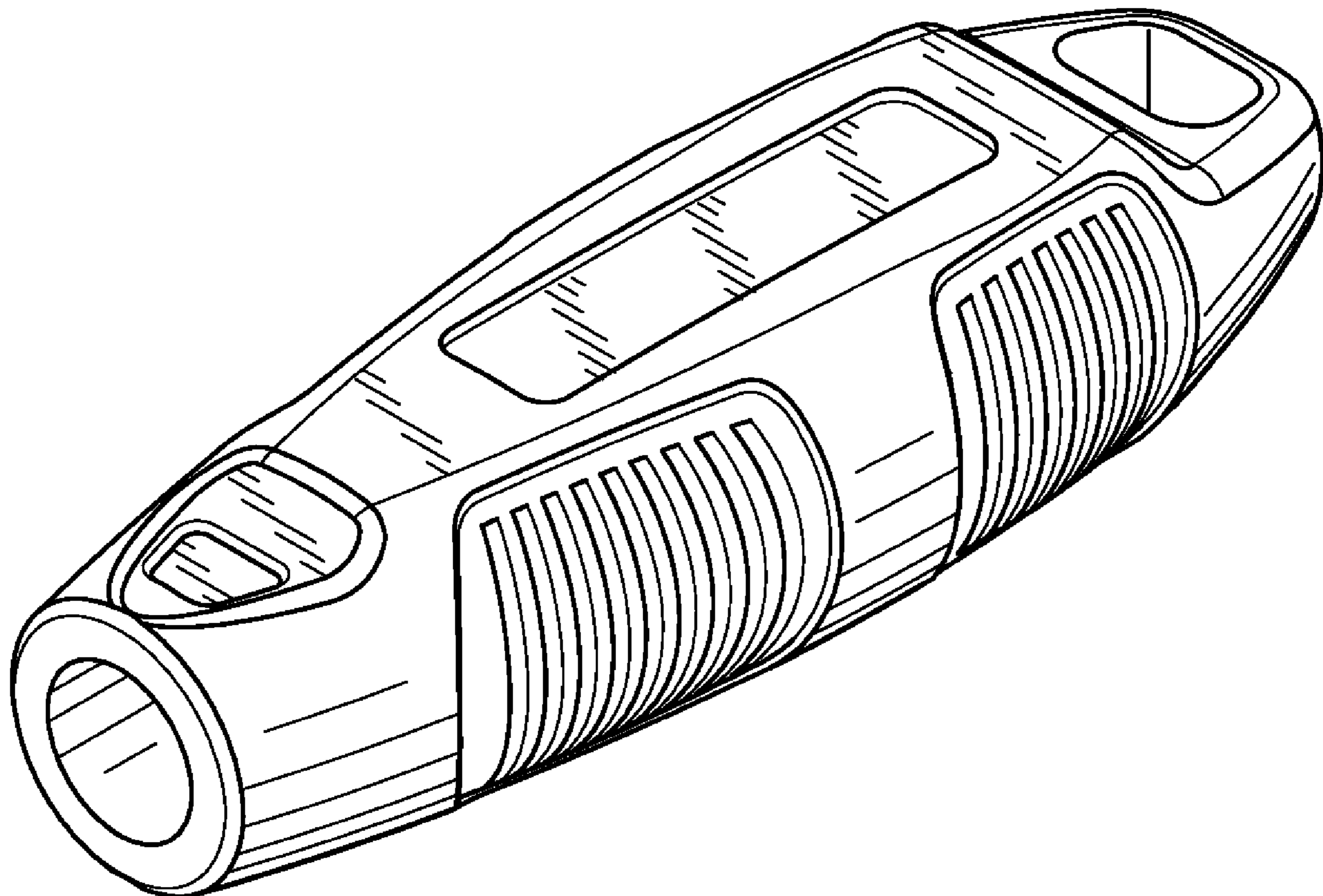
FIG. 4 is a left side view thereof;

FIG. 5 is a right side view thereof;

FIG. 6 is a top plan view thereof; and,

FIG. 7 is a bottom plan view thereof.

**1 Claim, 4 Drawing Sheets**



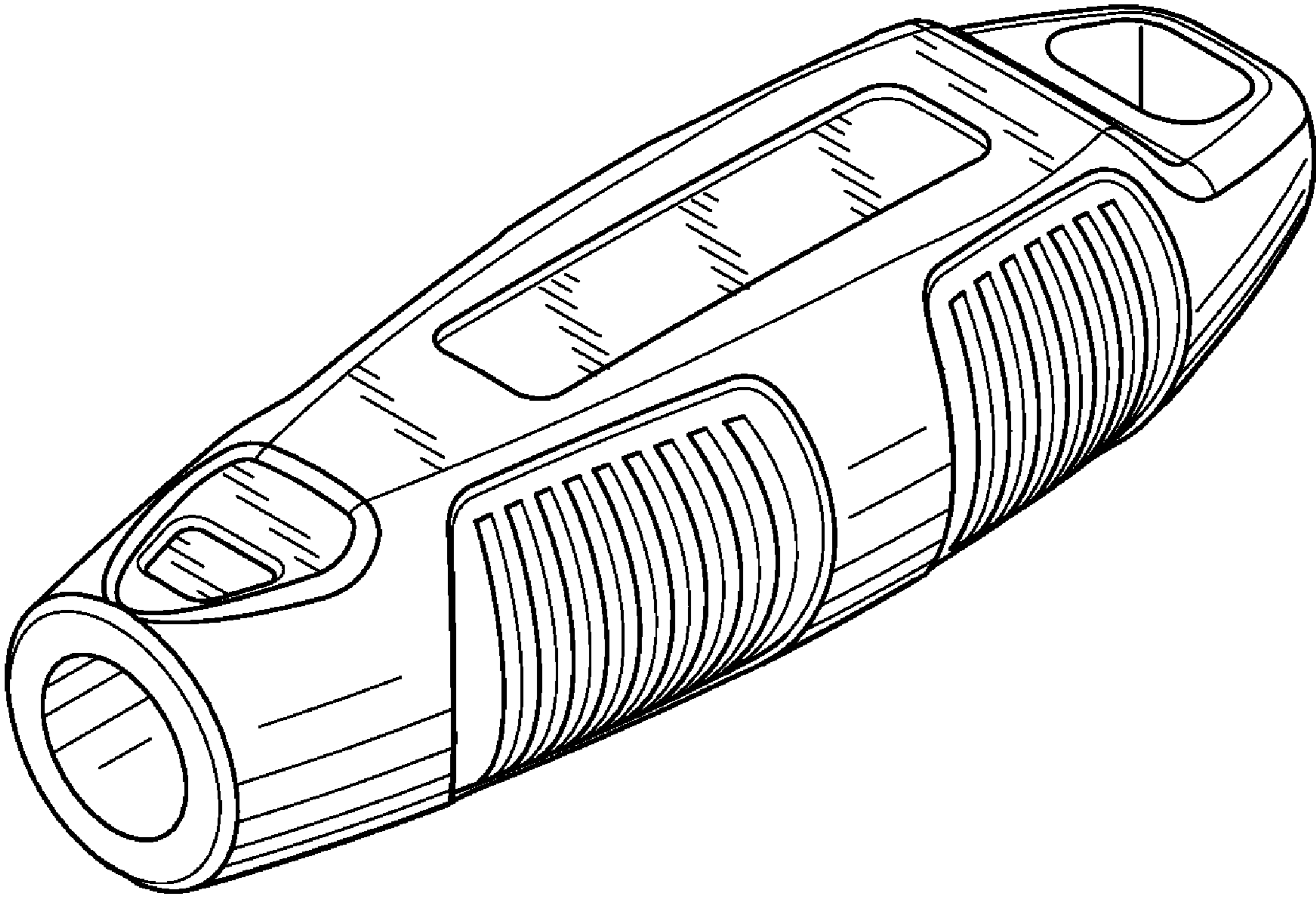


FIG. 1

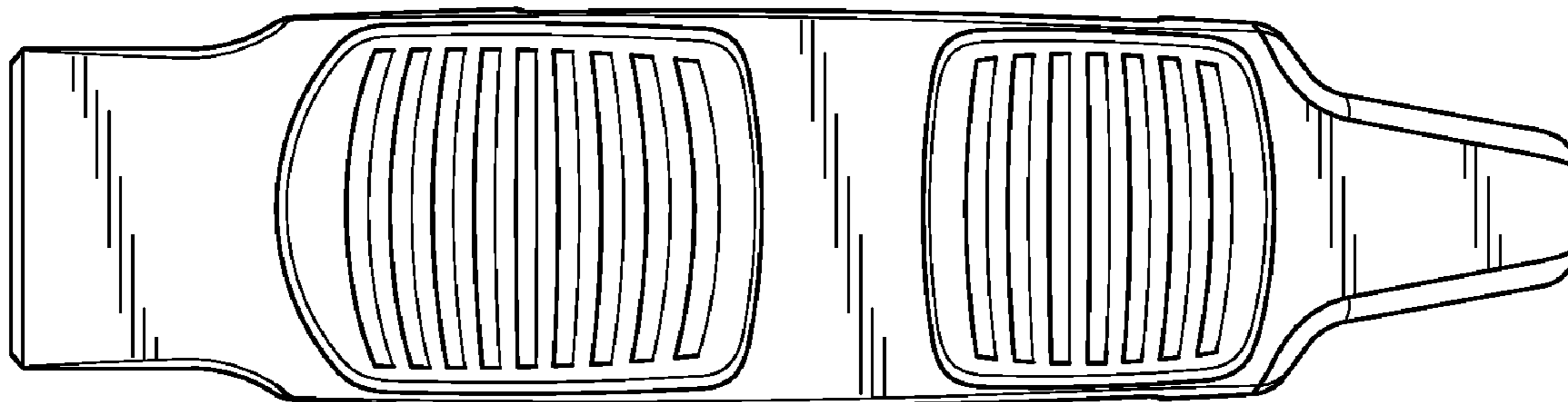


FIG. 2

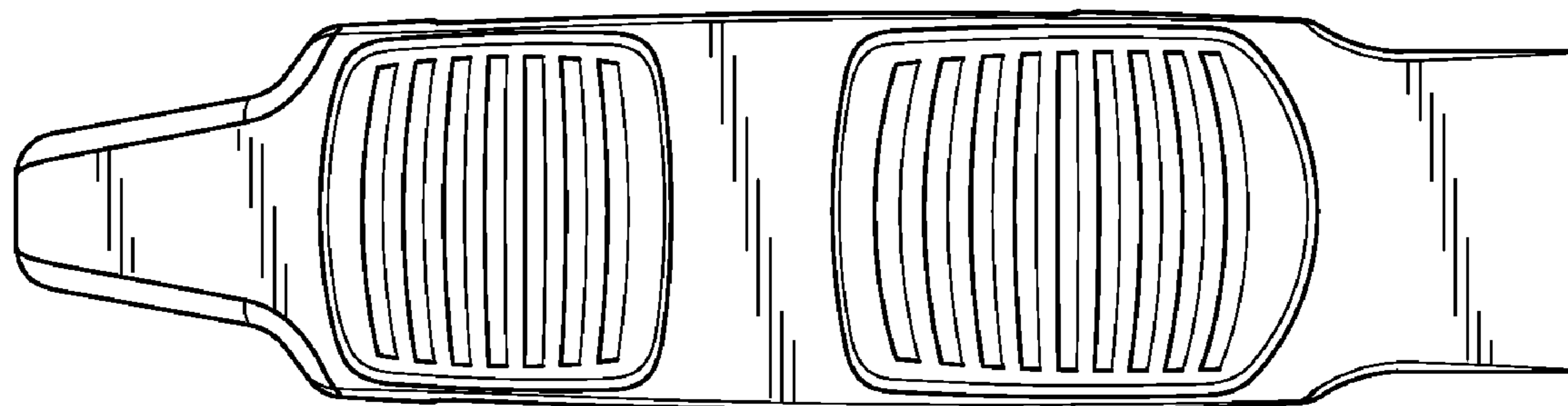


FIG. 3

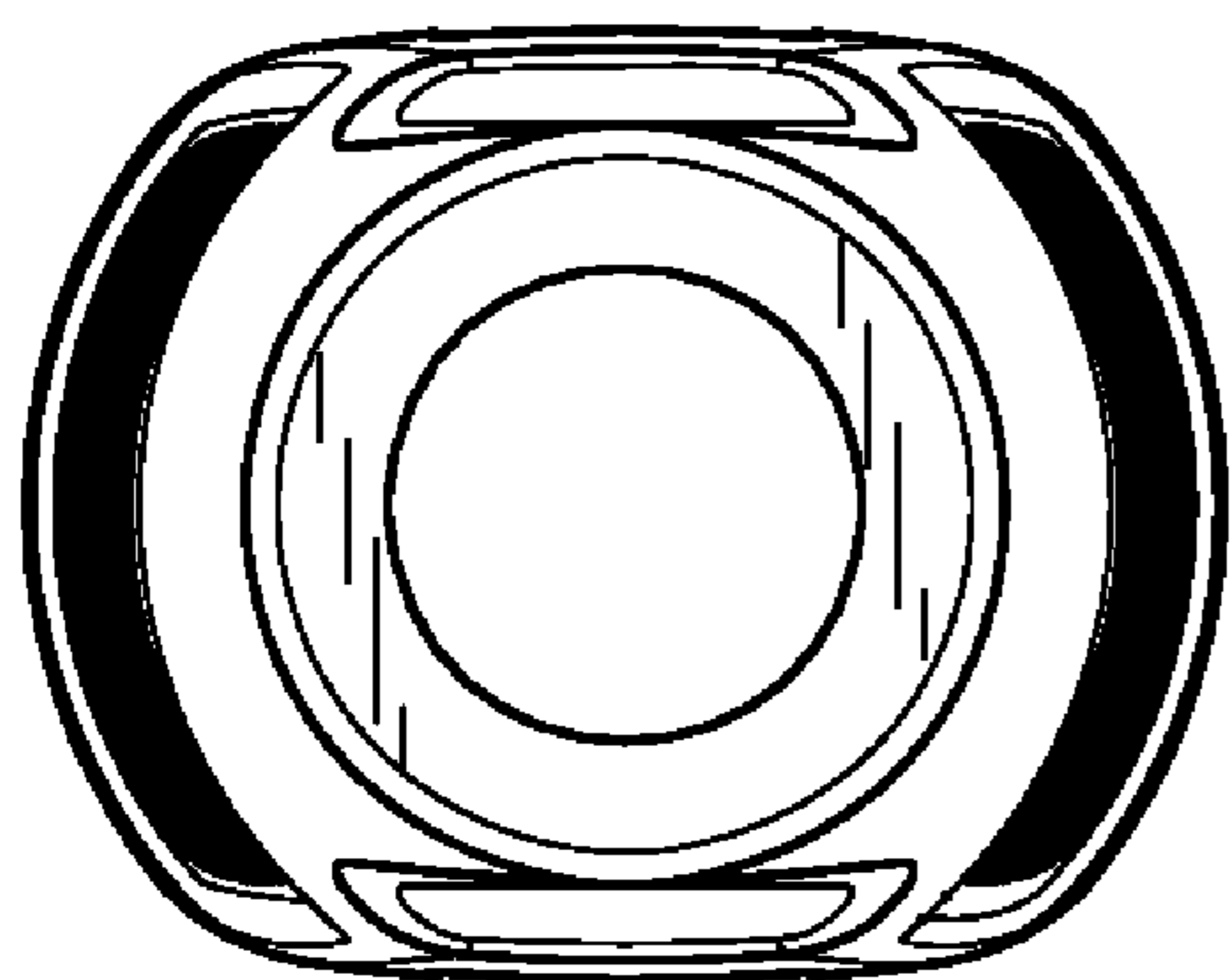


FIG. 4

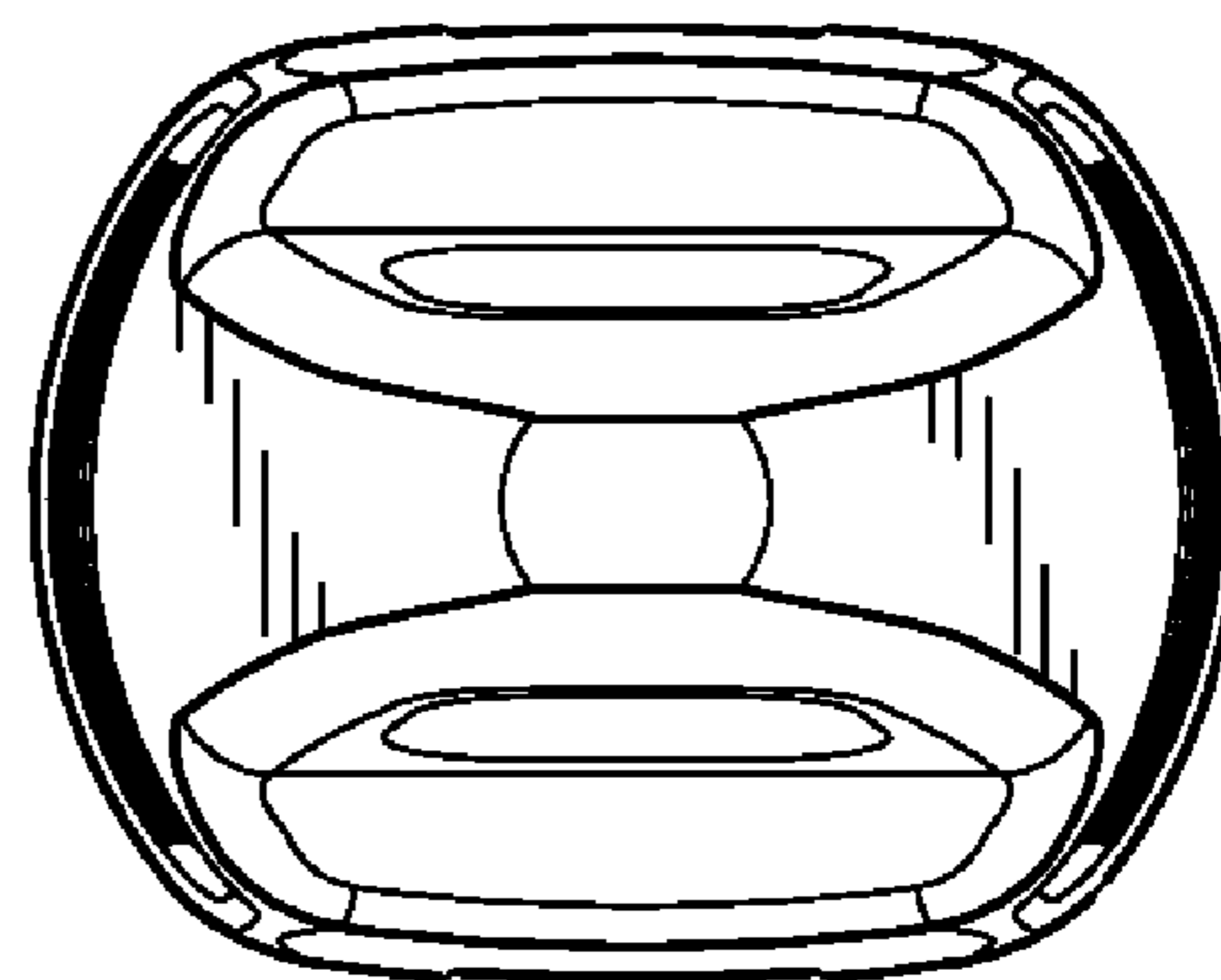


FIG. 5

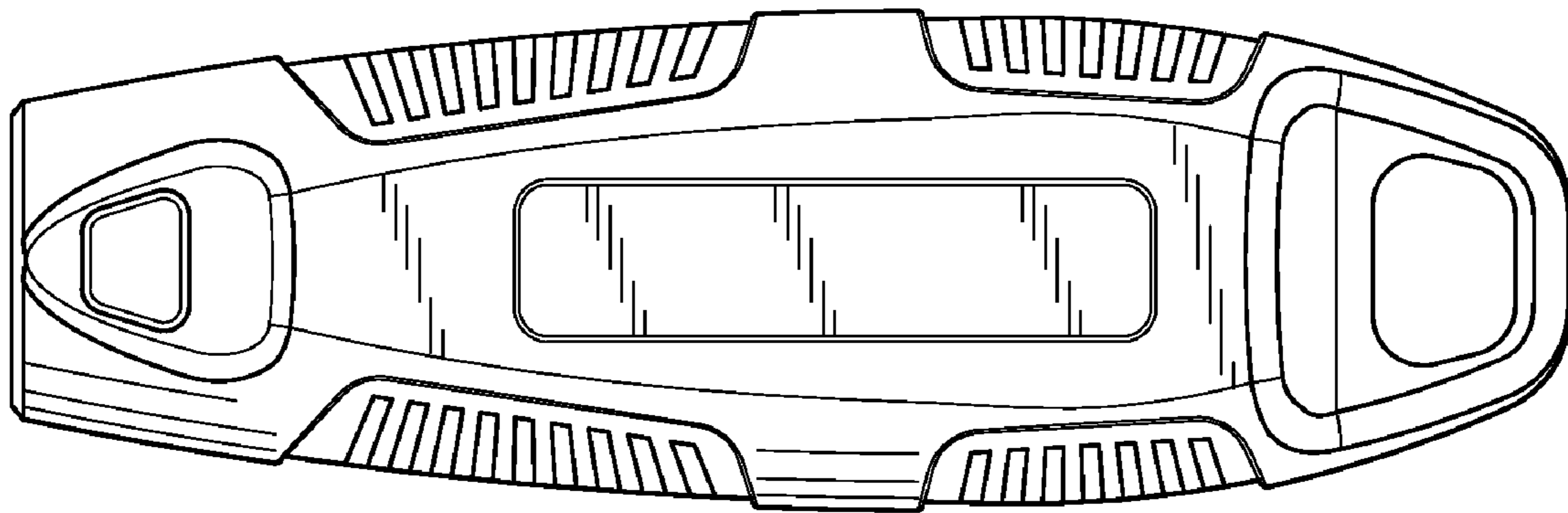


FIG. 6

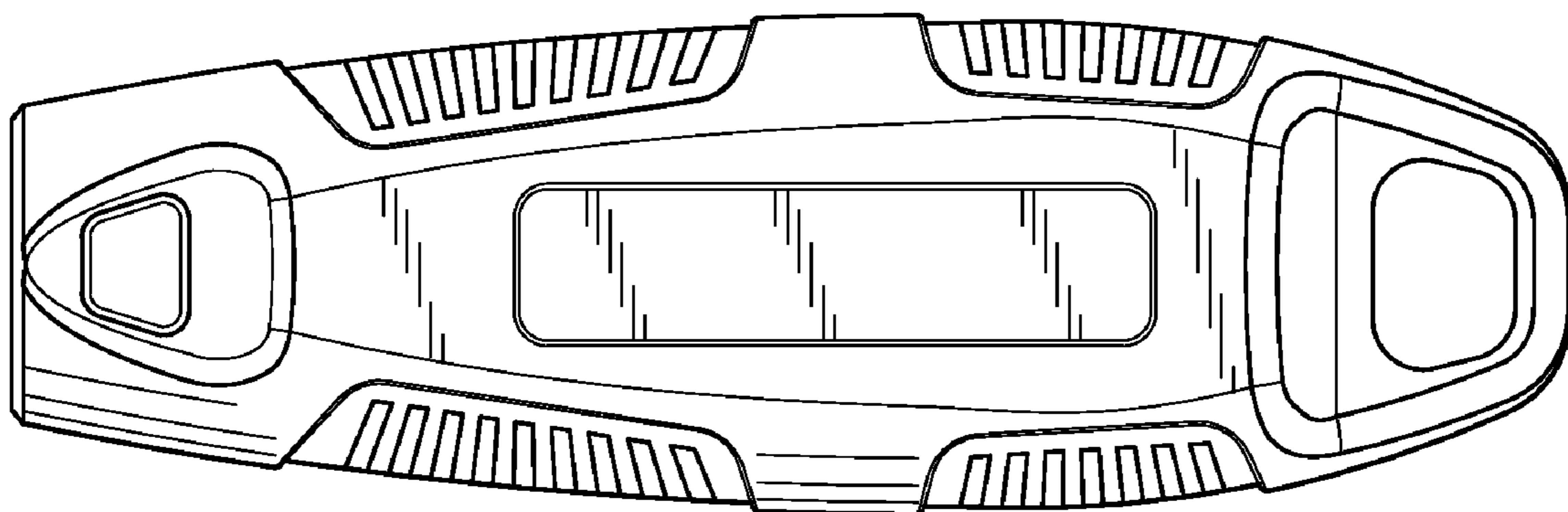


FIG. 7