



US00D617170S

(12) **United States Design Patent**
Lai

(10) **Patent No.:** **US D617,170 S**
(45) **Date of Patent:** **** Jun. 8, 2010**

(54) **TOOL HANDLE**

(76) Inventor: **Jin-Tsai Lai**, No. 5, Alley 320, Shi Hu Rd., Ta Li Hsiang, Taichung Hsien (TW) 41263

(**) Term: **14 Years**

(21) Appl. No.: **29/329,780**

(22) Filed: **Dec. 22, 2008**

(51) **LOC (9) Cl.** **08-05**

(52) **U.S. Cl.** **D8/107**

(58) **Field of Classification Search** D8/52,
D8/54-56, 58, 95-99, 107; D22/118; D4/138;
D32/40, 46, 49, 51; D15/18, 70, 142; 81/342,
81/367, 370, 418, 420, 424.5, 427.5, 380,
81/390, 324, 486, 489, 415-419, DIG. 9,
81/300, 302; 30/151-162, 329, 330, 511-517,
30/519; 294/54.5, 49, 51, 53.5, 55; 16/11 R,
16/111 R, 110.1, 430-431, 421-422, 426
See application file for complete search history.

(56) **References Cited**

U.S. PATENT DOCUMENTS

D146,898 S *	6/1947	Daniels	D8/83
D398,828 S *	9/1998	Shiao	D8/83
D442,049 S *	5/2001	Shu	D8/83
D468,182 S *	1/2003	Thompson	D8/83
D477,980 S *	8/2003	Chang	D8/83
D517,394 S *	3/2006	Chen	D8/107

D531,005 S *	10/2006	Chang	D8/107
D554,967 S *	11/2007	Lin	D8/107
D563,752 S *	3/2008	Fach	D8/83
D576,467 S *	9/2008	Shu	D8/107
D603,683 S *	11/2009	Hu	D8/107
D607,300 S *	1/2010	Lin	D8/107

* cited by examiner

Primary Examiner—Cathron C Brooks
Assistant Examiner—Barbara Fox

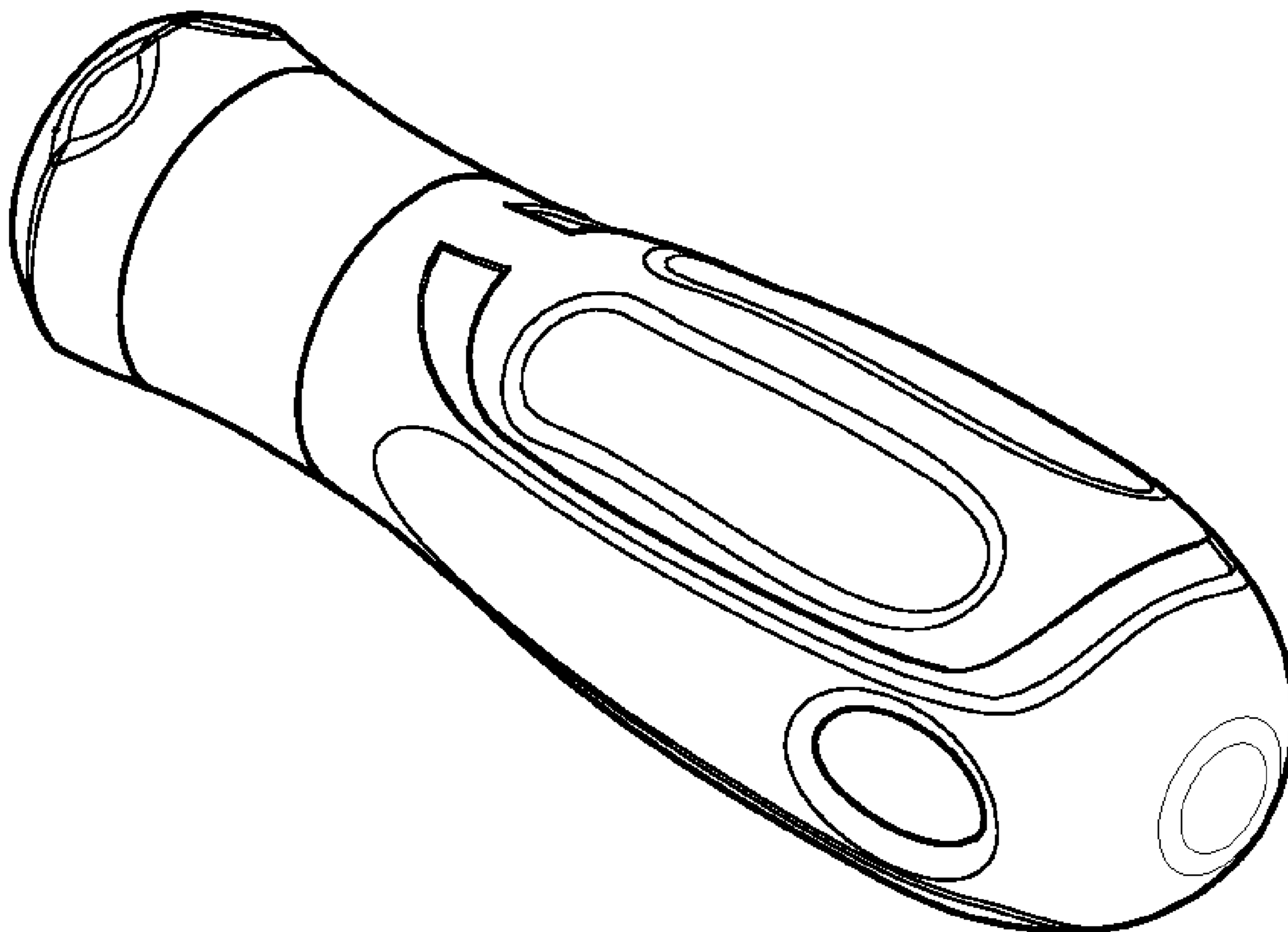
(57) **CLAIM**

The ornamental design for a tool handle, as shown and described.

DESCRIPTION

FIG. 1 is a perspective view of a tool handle showing my new design;
FIG. 2 is a front elevational view thereof;
FIG. 3 is a rear elevational view thereof;
FIG. 4 is a top plan view thereof;
FIG. 5 is a bottom plan view thereof;
FIG. 6 is a left side view thereof;
FIG. 7 is a right side view thereof; and,
FIG. 8 is an additional perspective view of the tool handle of FIG. 1, wherein the broken lines represent environmental structure that forms no part of the claimed design.

1 Claim, 5 Drawing Sheets



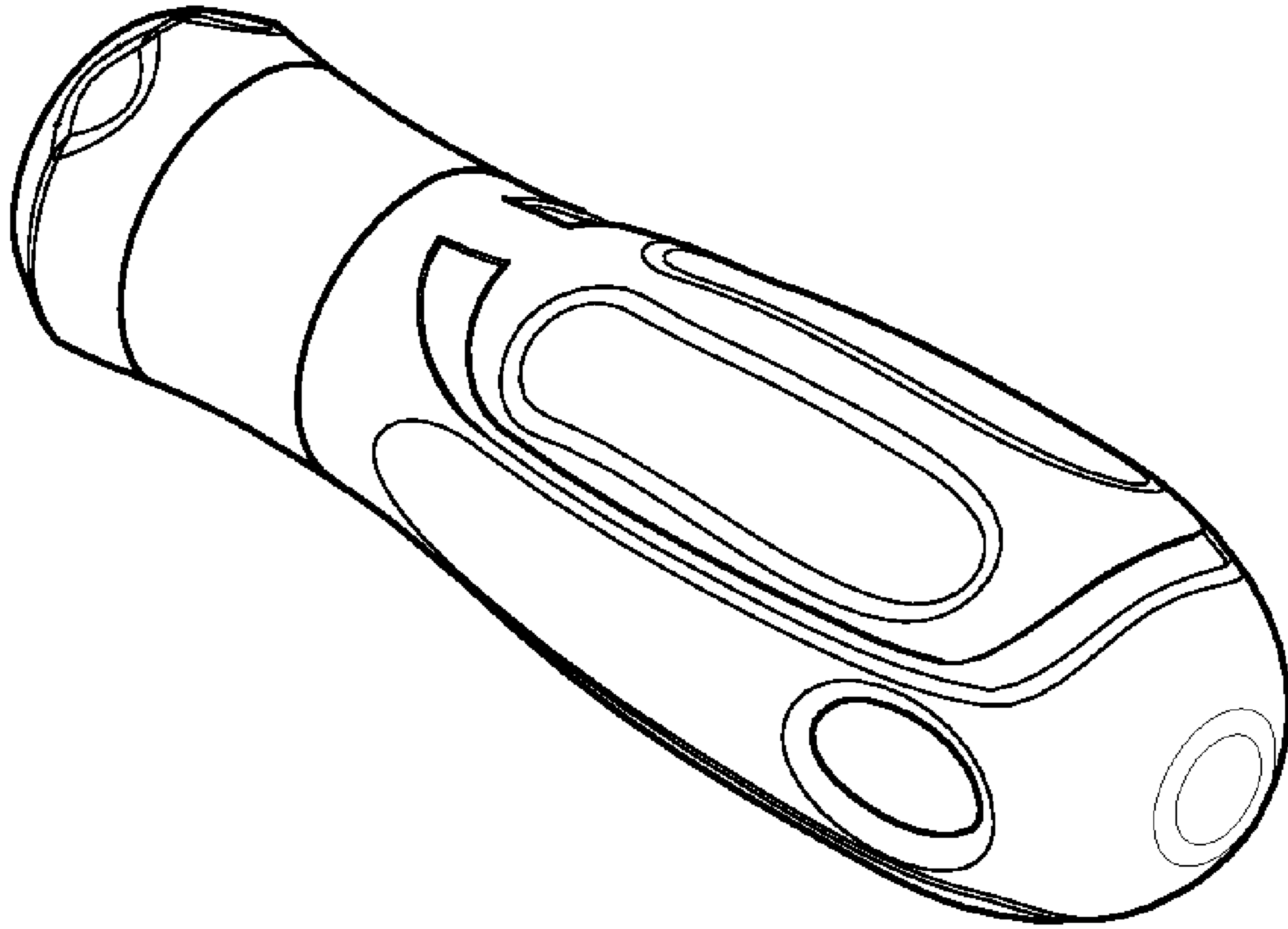


FIG. 1

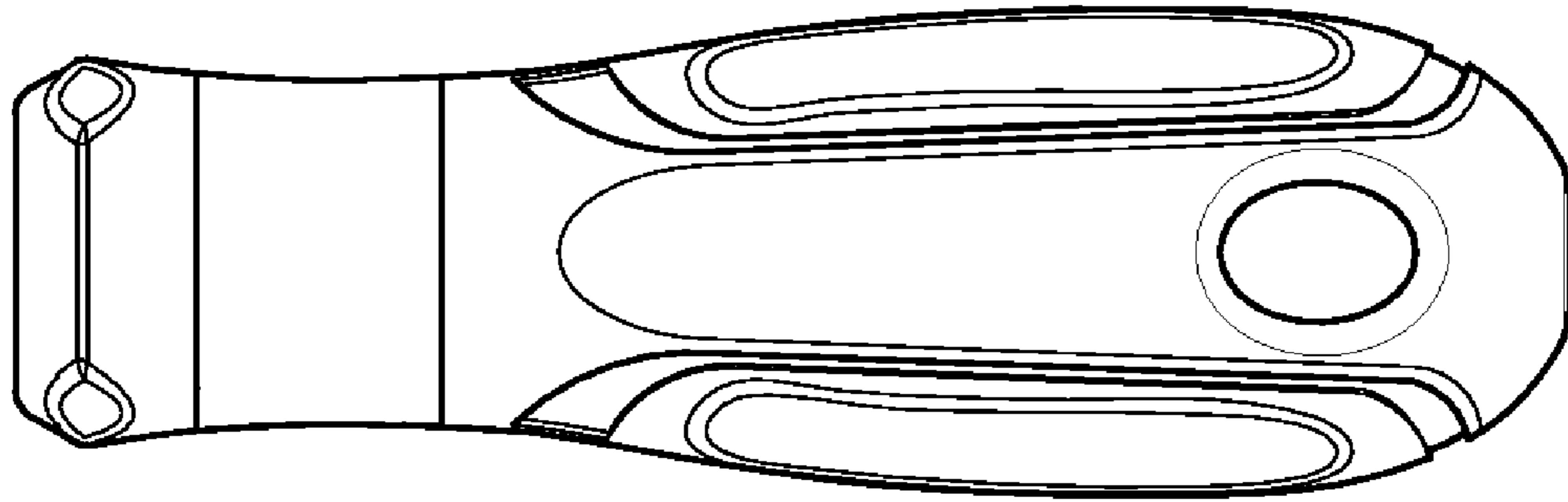


FIG. 2

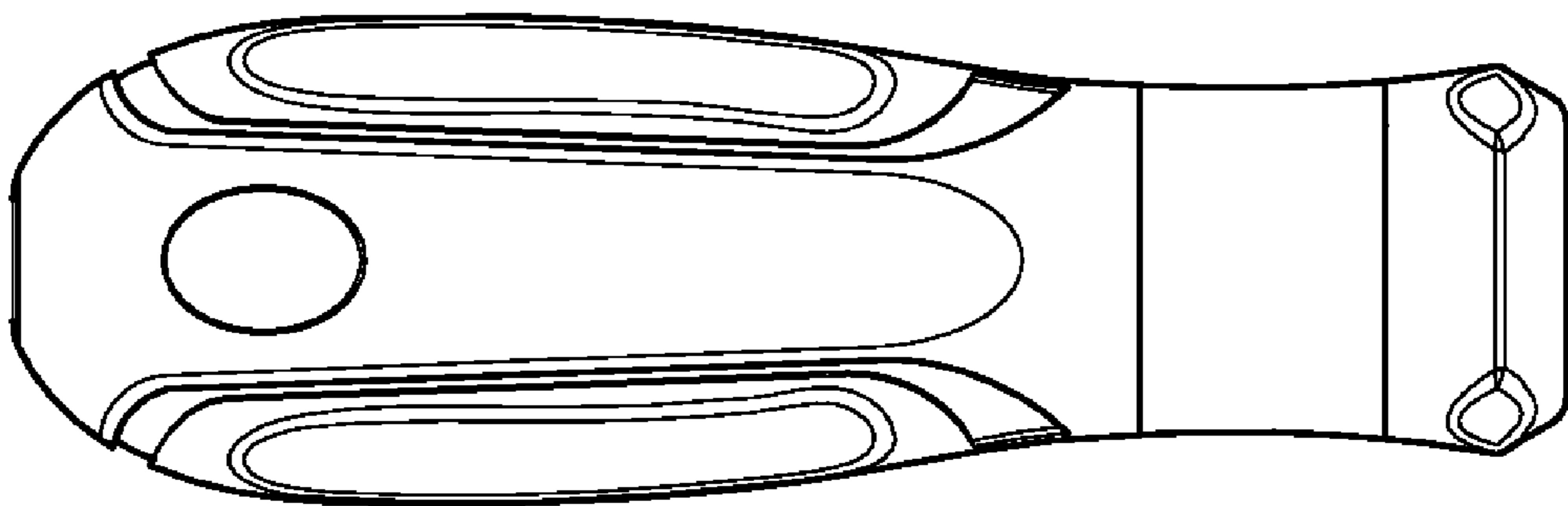


FIG. 3

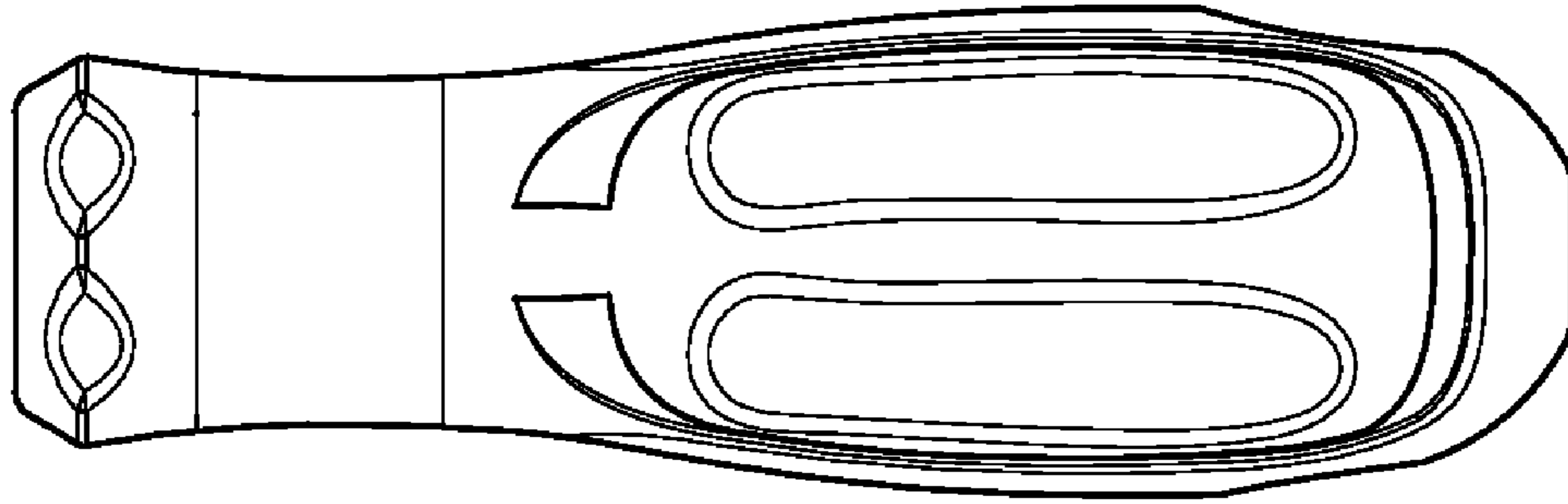


FIG. 4

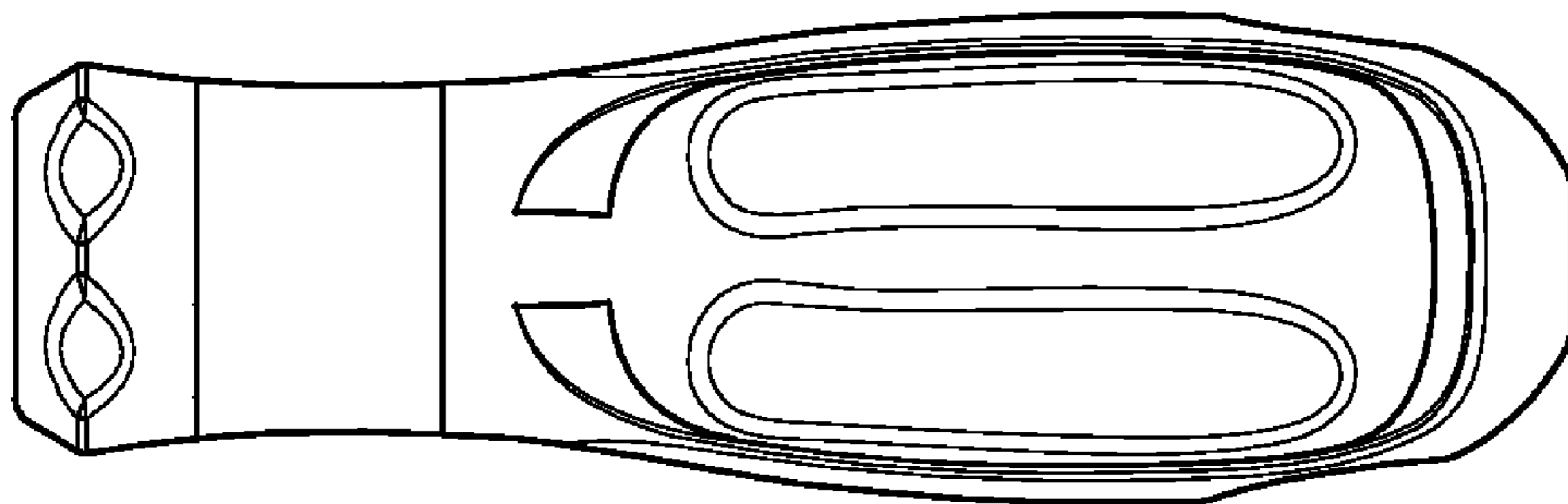


FIG. 5

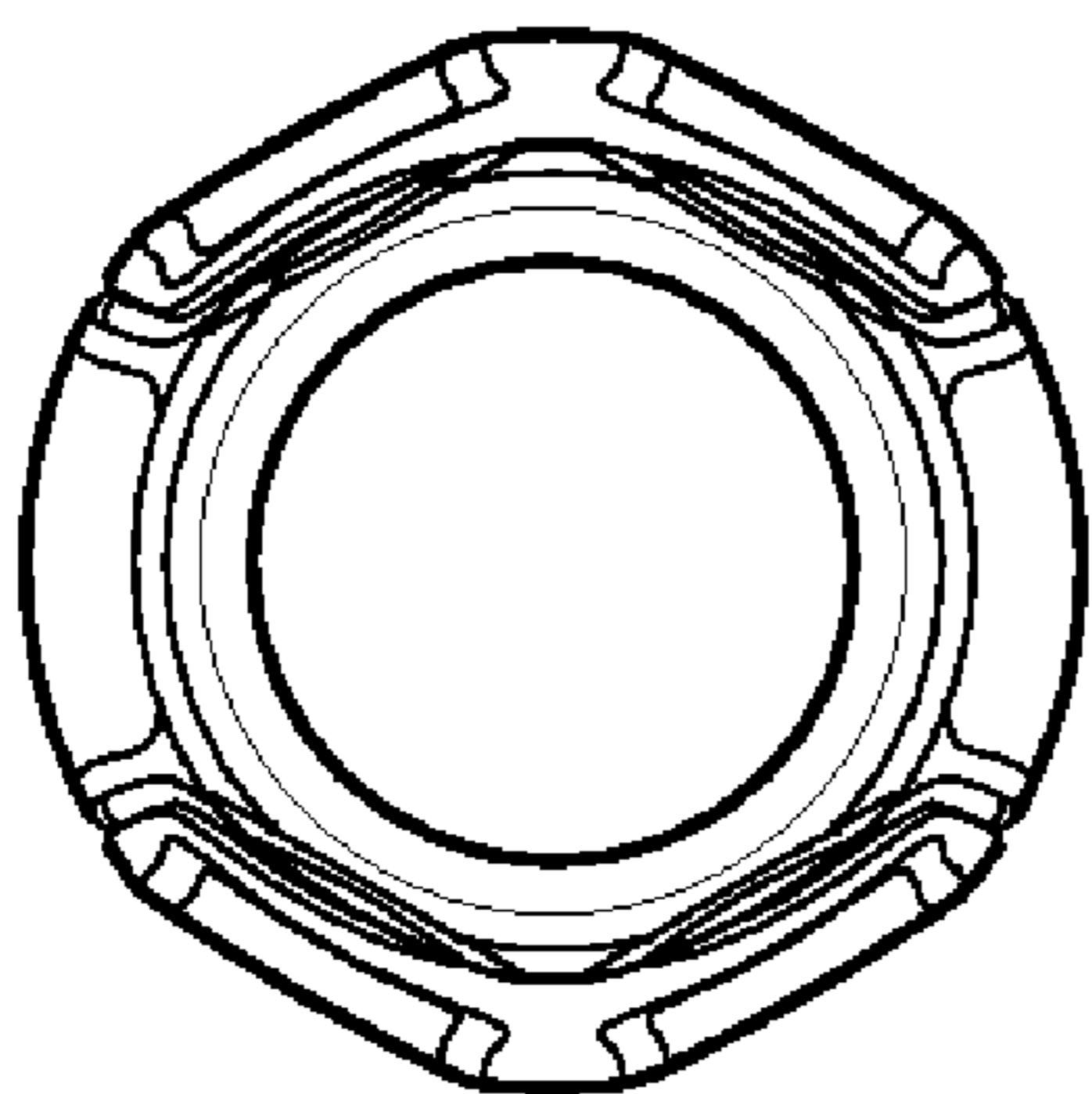


FIG. 6

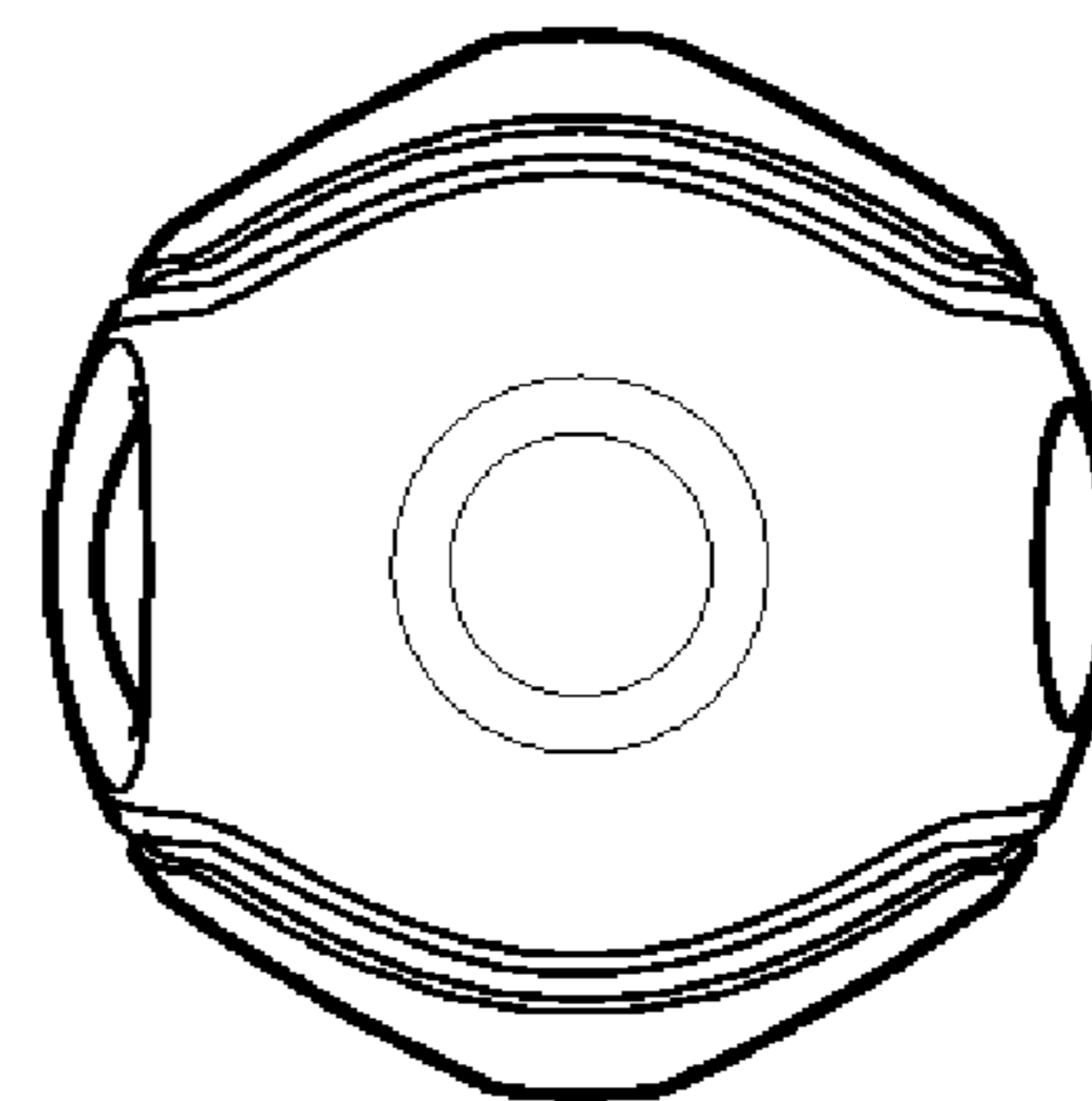


FIG. 7

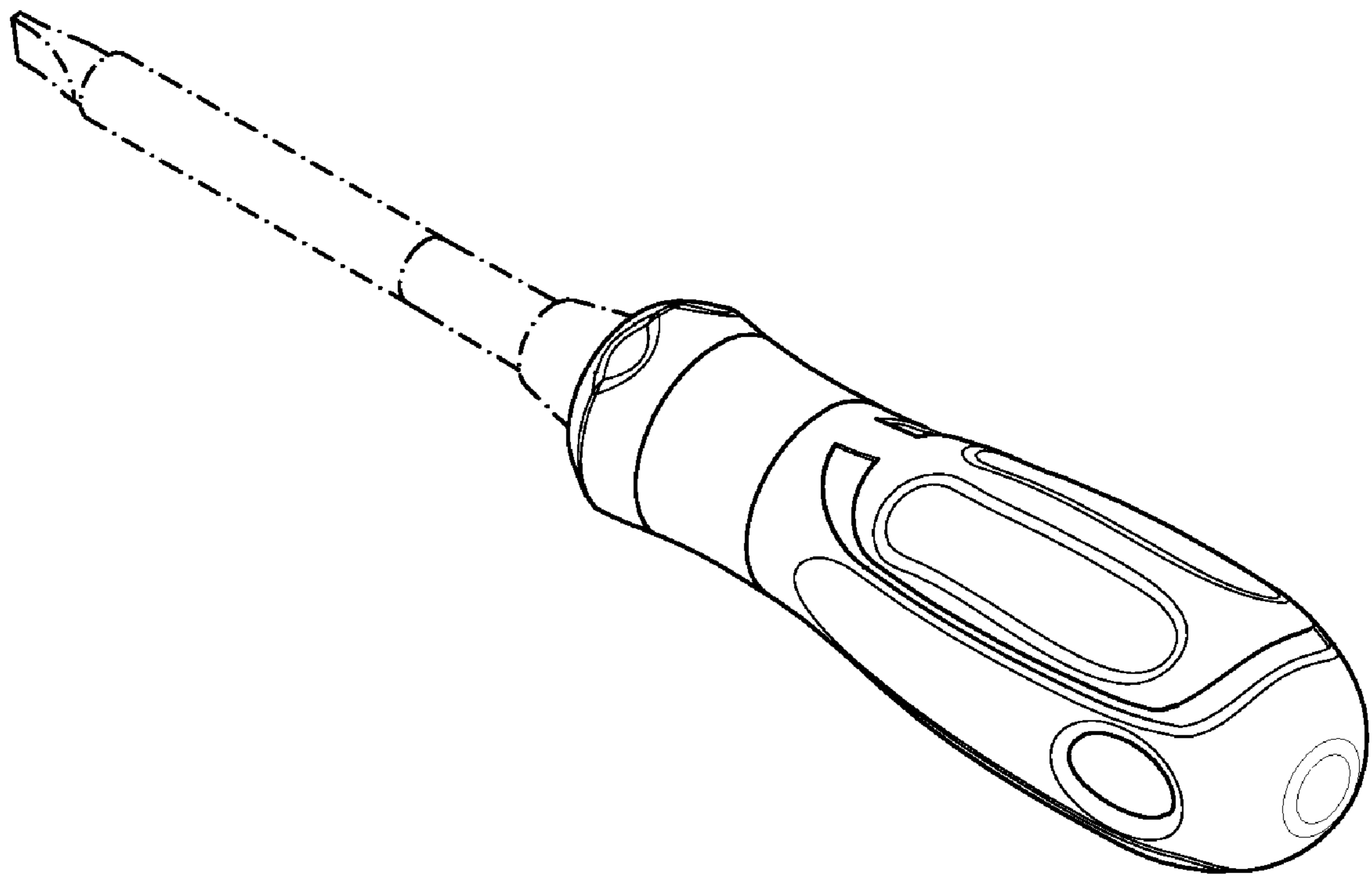


FIG. 8