



US00D617168S

(12) **United States Design Patent**
Yamamoto et al.

(10) **Patent No.:** **US D617,168 S**
(45) **Date of Patent:** **** Jun. 8, 2010**

(54) **PORTABLE ELECTRIC HAMMER DRILL**

(75) Inventors: **Yuji Yamamoto, Anjo (JP); Kiyonobu Yoshikane, Anjo (JP)**

(73) Assignee: **Makita Corporation, Anjo-shi (JP)**

(**) Term: **14 Years**

(21) Appl. No.: **29/347,245**

(22) Filed: **Nov. 10, 2009**

(51) **LOC (9) Cl.** **08-04**

(52) **U.S. Cl.** **D8/68**

(58) **Field of Classification Search** D8/61-70;
81/57.11, 429, 454-456, 469, 489; 173/13,
173/46, 104, 114, 167-173, 178, 201, 211,
173/213, 214, 217, 198; 227/8, 113, 114,
227/120, 130, 136, 142; 310/50; 408/20,
408/35, 117, 124, 125, 234, 241 R, 58, 67;
451/358; 7/158, 165

See application file for complete search history.

(56) **References Cited**

U.S. PATENT DOCUMENTS

D466,779 S	*	12/2002	Shibata et al.	D8/68
D492,565 S	*	7/2004	Stirm	D8/68
D507,950 S	*	8/2005	Aglassinger	D8/68
D511,286 S	*	11/2005	Aglassinger	D8/68

7,143,841 B2	*	12/2006	Etter et al.	173/170
D540,135 S	*	4/2007	Okuda	D8/68
D567,614 S	*	4/2008	Okuda	D8/68
D587,545 S	*	3/2009	Hayakawa et al.	D8/68
D608,174 S	*	1/2010	Wright	D8/68
2006/0291966 A1	*	12/2006	Klemm et al.	408/124
2009/0056967 A1	*	3/2009	Sell et al.	173/205
2010/0026107 A1	*	2/2010	Hosokawa	310/50

* cited by examiner

Primary Examiner—Antoine D Davis

(74) *Attorney, Agent, or Firm*—Oliff & Berridge, PLC

(57) **CLAIM**

The ornamental design for a portable electric hammer drill, as shown and described.

DESCRIPTION

FIG. 1 is a perspective view of a portable electric hammer drill showing our new design;

FIG. 2 is a front elevation view thereof;

FIG. 3 is a rear elevation view thereof;

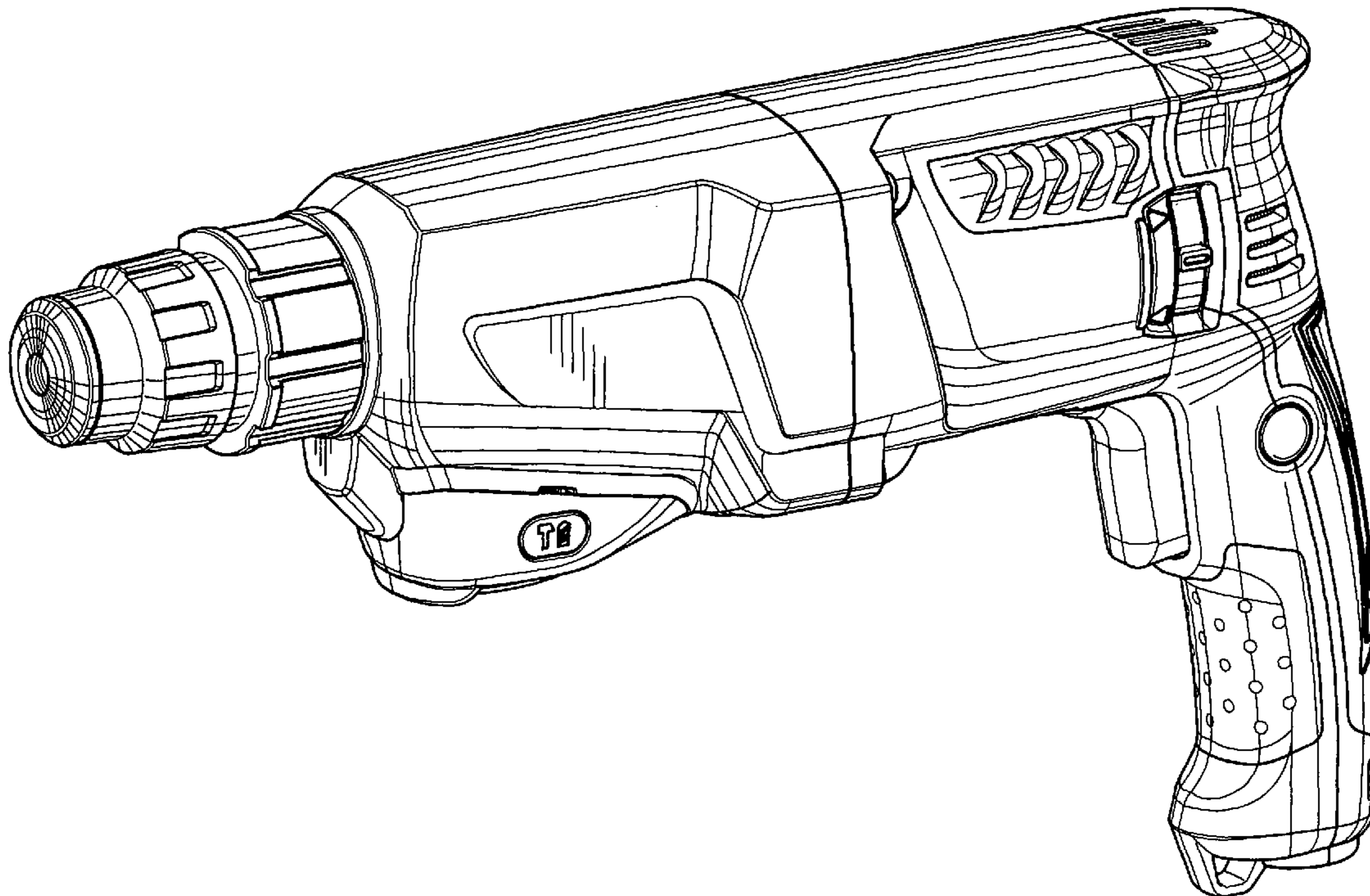
FIG. 4 is a top plan view thereof;

FIG. 5 is a bottom plan view thereof;

FIG. 6 is a right side elevation view thereof; and,

FIG. 7 is a left side elevation view thereof.

1 Claim, 6 Drawing Sheets



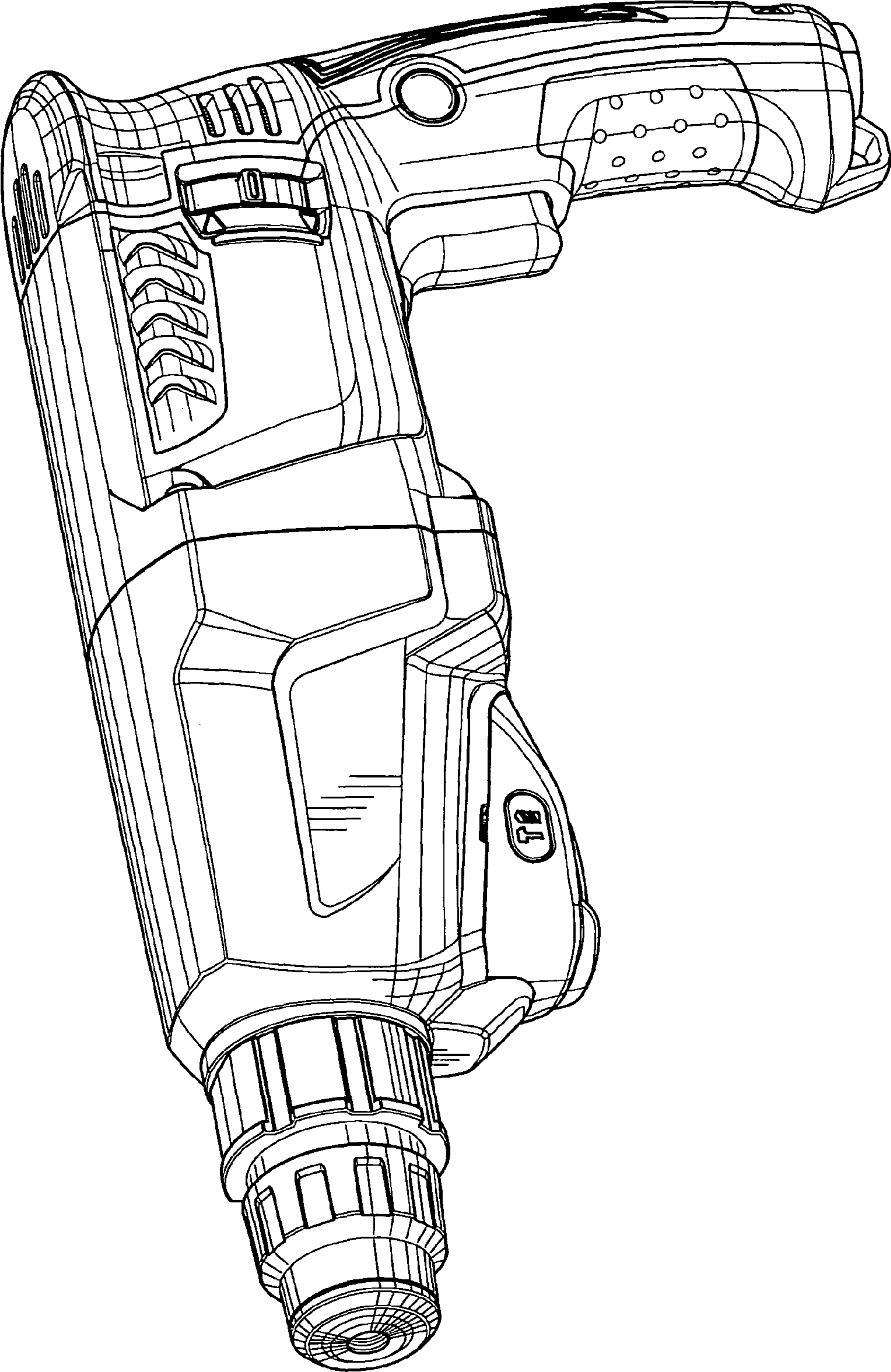


FIG. 1

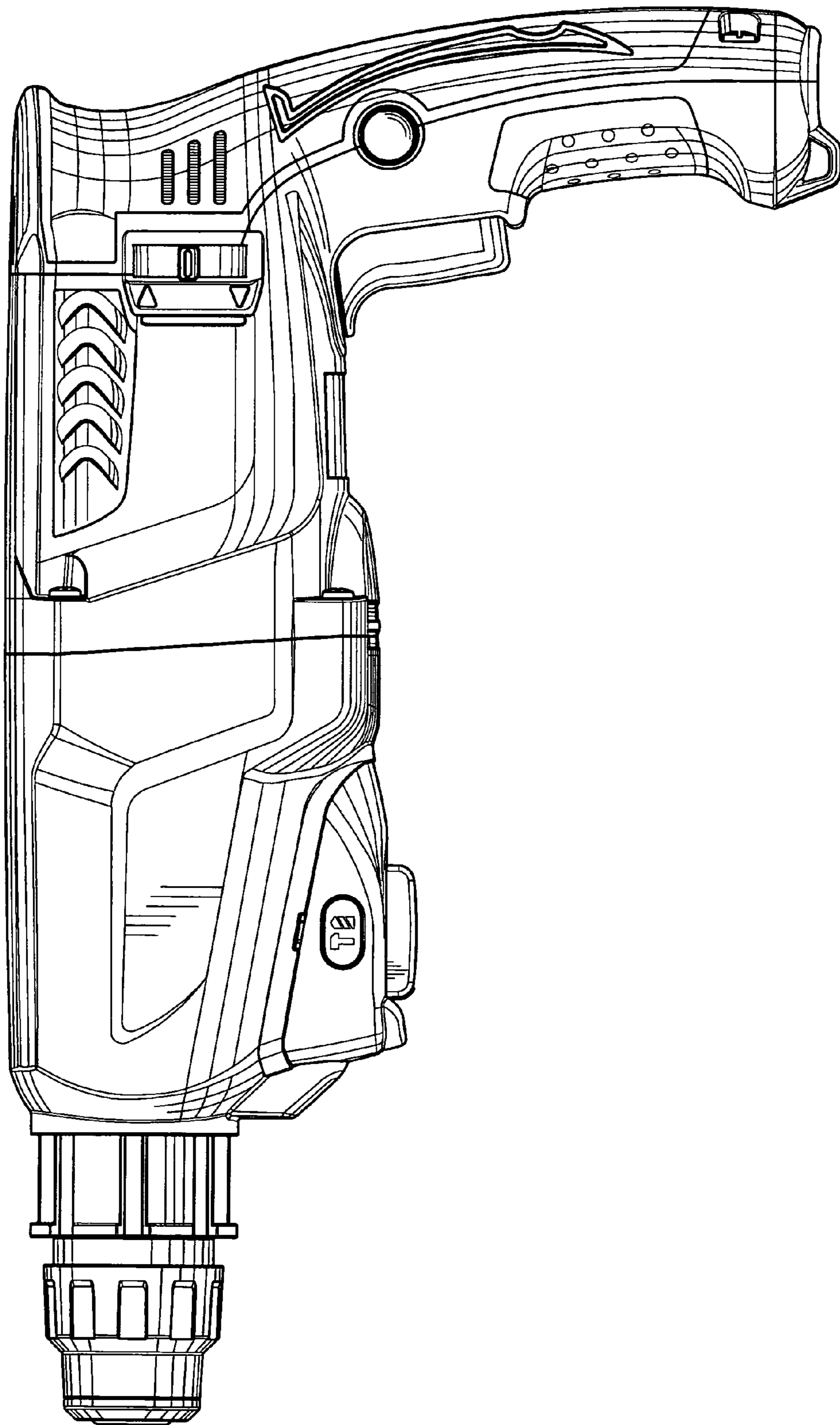


FIG. 2

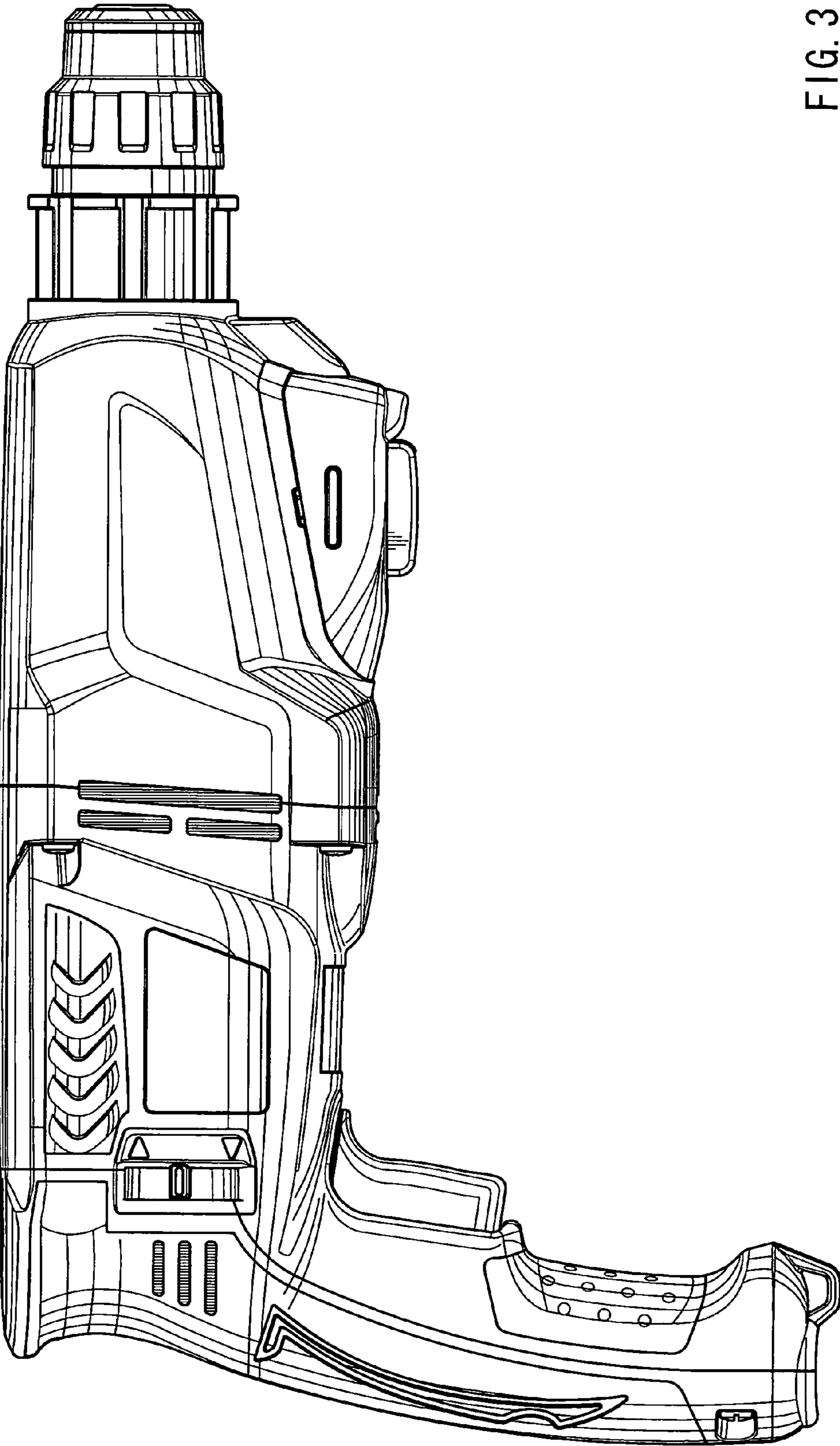


FIG. 3

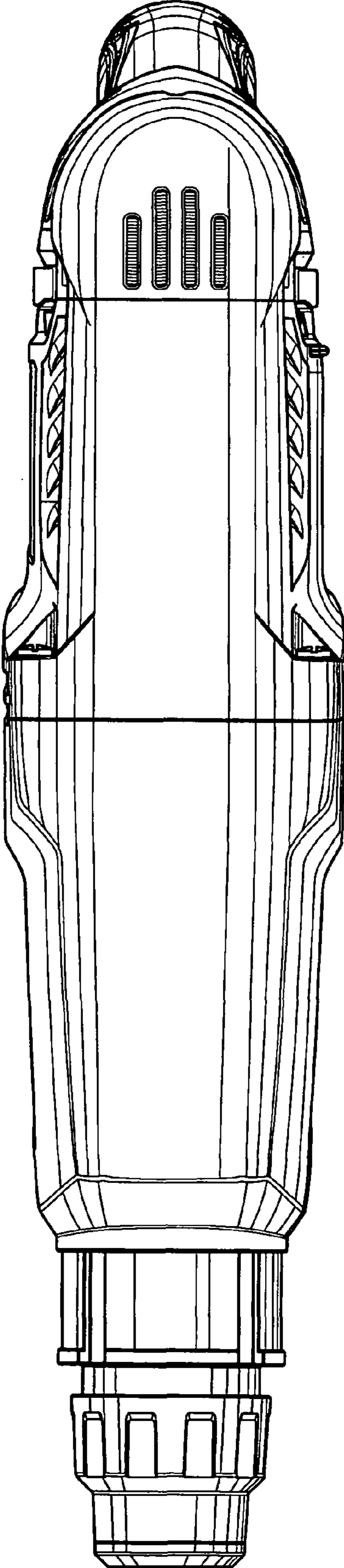


FIG. 4

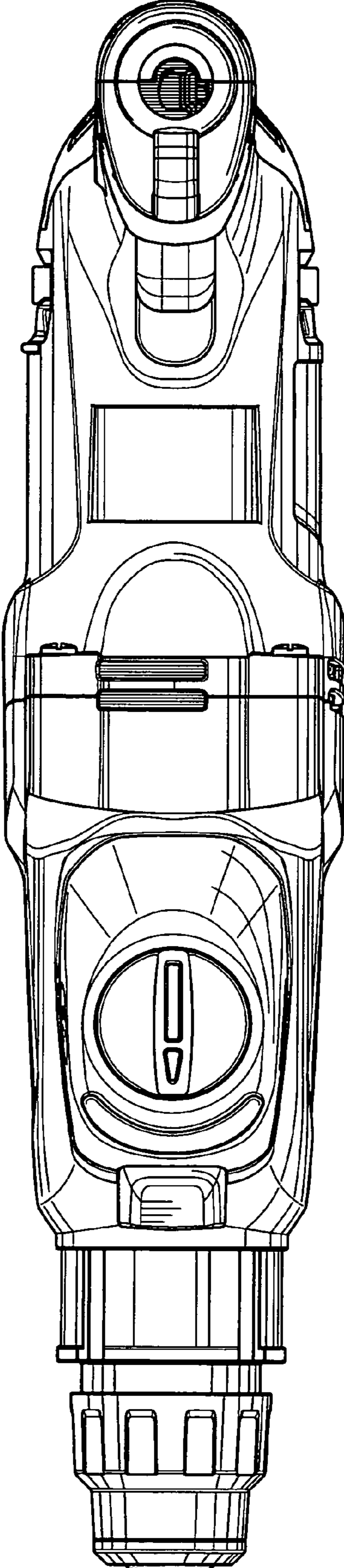


FIG. 5

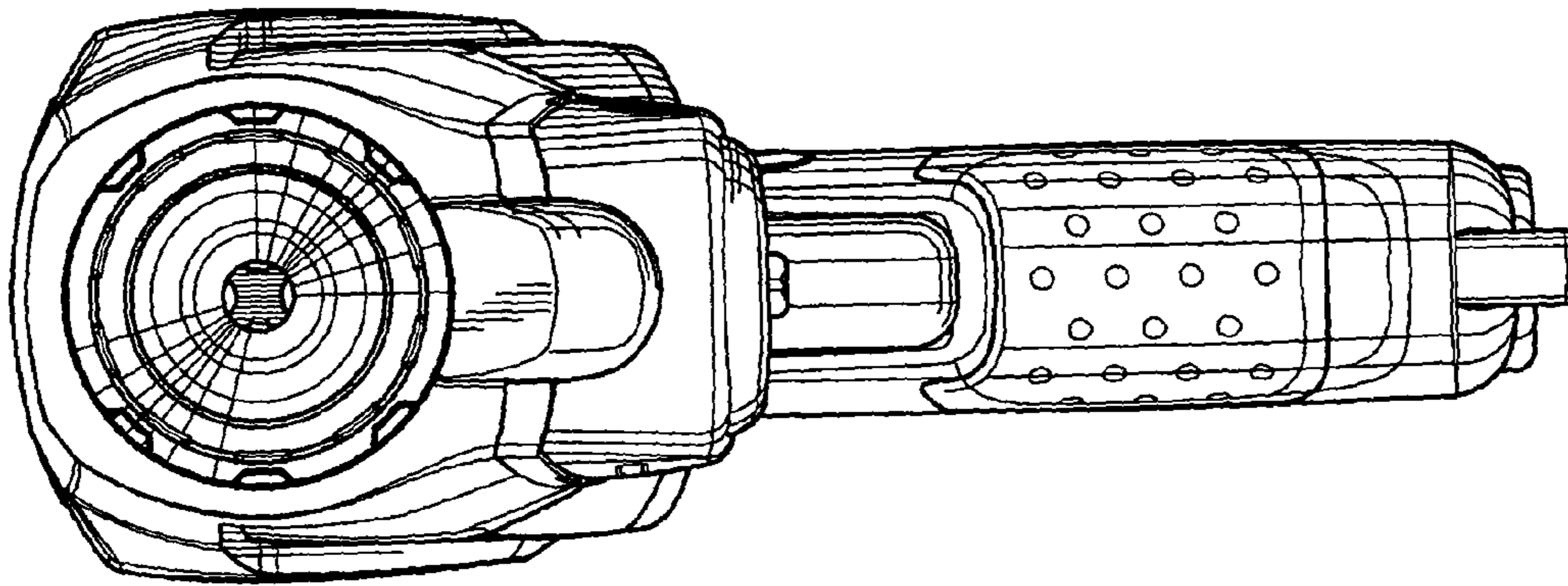


FIG. 7

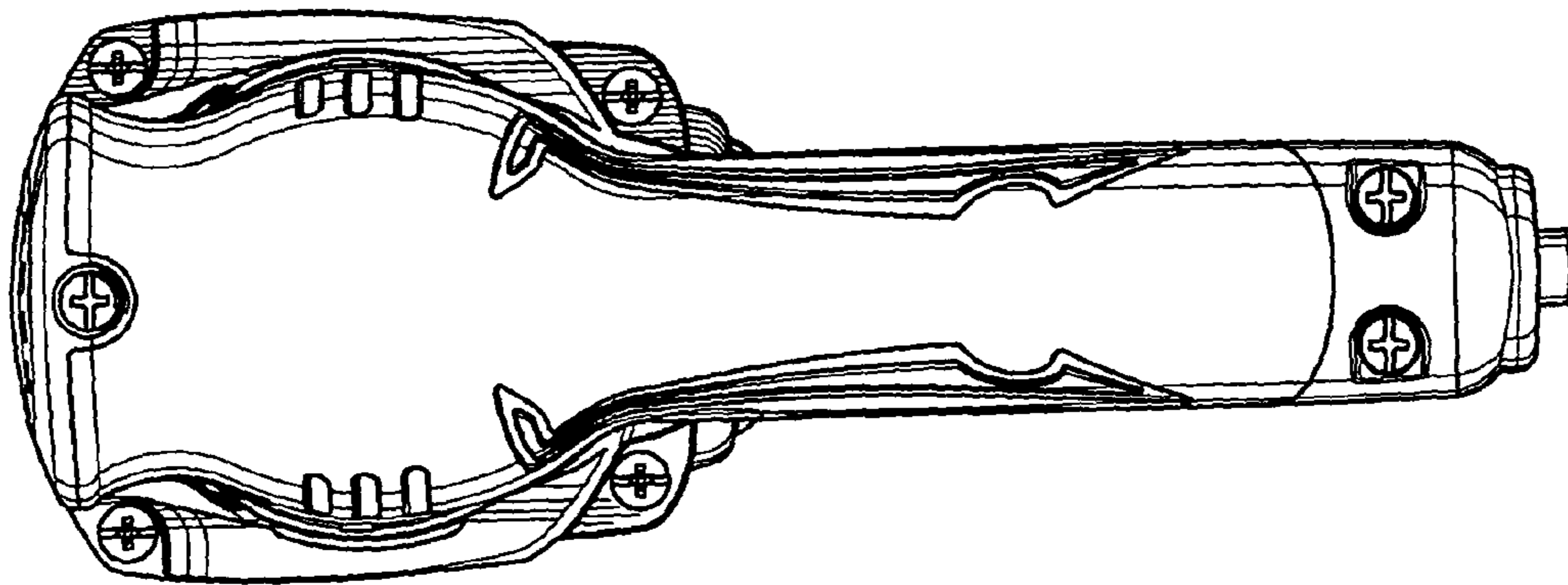


FIG. 6

UNITED STATES PATENT AND TRADEMARK OFFICE
CERTIFICATE OF CORRECTION

PATENT NO. : Des. 617,168 S
APPLICATION NO. : 29/347245
DATED : June 8, 2010
INVENTOR(S) : Yuji Yamamoto et al.

Page 1 of 1

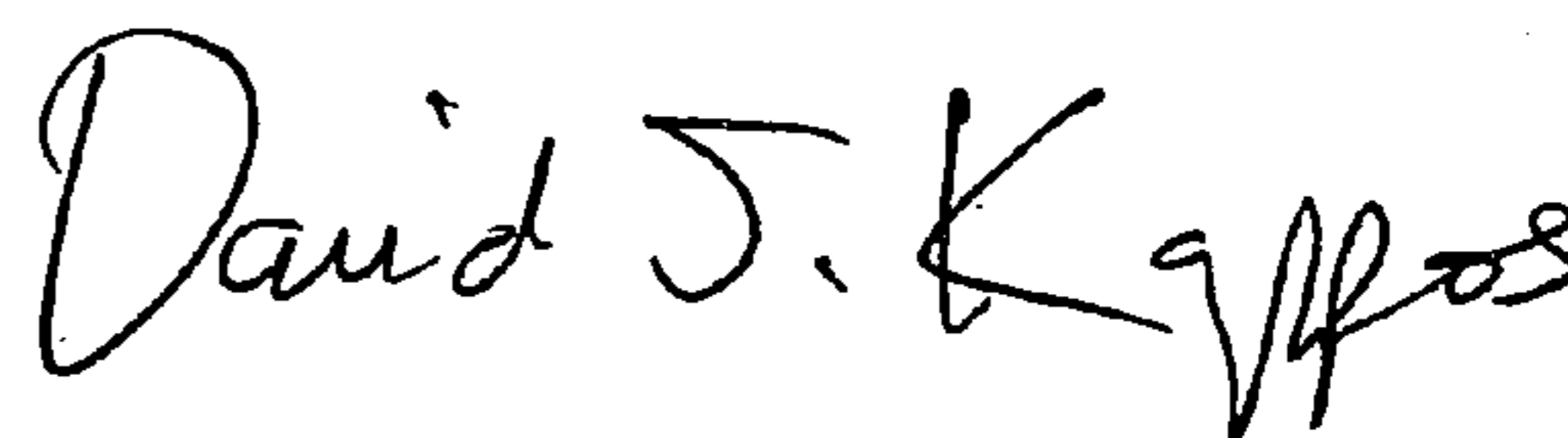
It is certified that error appears in the above-identified patent and that said Letters Patent is hereby corrected as shown below:

Title Page add item (30)

(30) Foreign Application Priority Data
May 12, 2009 (JP) 2009-10545

Signed and Sealed this

Thirty-first Day of August, 2010



David J. Kappos
Director of the United States Patent and Trademark Office