



US00D617165S

(12) **United States Design Patent**
Leung

(10) **Patent No.:** **US D617,165 S**

(45) **Date of Patent:** **** Jun. 8, 2010**

(54) **STAPLER**

(75) Inventor: **Chan Siu Leung**, Kowloon (HK)

(73) Assignee: **Tung Yung International Limited**,
Hong Kong (HK)

(**) Term: **14 Years**

(21) Appl. No.: **29/315,100**

(22) Filed: **May 26, 2009**

(51) **LOC (9) Cl.** **19-02**

(52) **U.S. Cl.** **D8/50**

(58) **Field of Classification Search** D8/49,
D8/50, 61, 68, 69; D19/72, 73, 65, 69; D21/532;
D24/145; 7/158, 160; 227/4, 5, 6, 7, 8, 120,
227/127, 128, 131, 132, 134, 144, 156, 175.1;
606/139, 143, 153, 219

See application file for complete search history.

(56) **References Cited**

U.S. PATENT DOCUMENTS

D330,666 S	*	11/1992	Chan	D8/50
D465,139 S	*	11/2002	Robillard	D8/50
D471,414 S	*	3/2003	Chan	D8/50
D478,798 S	*	8/2003	Huang	D8/50
D502,369 S	*	3/2005	Nakamura	D8/50
D554,456 S	*	11/2007	Chang	D8/50
D567,609 S	*	4/2008	Sudmalis et al.	D8/50
D574,681 S	*	8/2008	Nakamura et al.	D8/50

D574,682 S	*	8/2008	Cunningham et al.	D8/50
D579,293 S	*	10/2008	Irago	D8/50
D582,232 S	*	12/2008	Nakamura et al.	D8/50
D586,635 S	*	2/2009	Nakamura et al.	D8/50
D589,314 S	*	3/2009	Irago	D8/50

* cited by examiner

Primary Examiner—Cathron C Brooks

Assistant Examiner—Austin Murphy

(74) *Attorney, Agent, or Firm*—Thomas E. Schatzel; Law
Offices of Thomas E. Schatzel, A Prof. Corporation

(57) **CLAIM**

The ornamental design for a stapler, as shown and described.

DESCRIPTION

FIG. 1 is a left side perspective view of a stapler;

FIG. 2 is a right side perspective view thereof;

FIG. 3 is a left-side elevational view thereof;

FIG. 4 is a top elevational view thereof;

FIG. 5 is a right-side elevational view thereof;

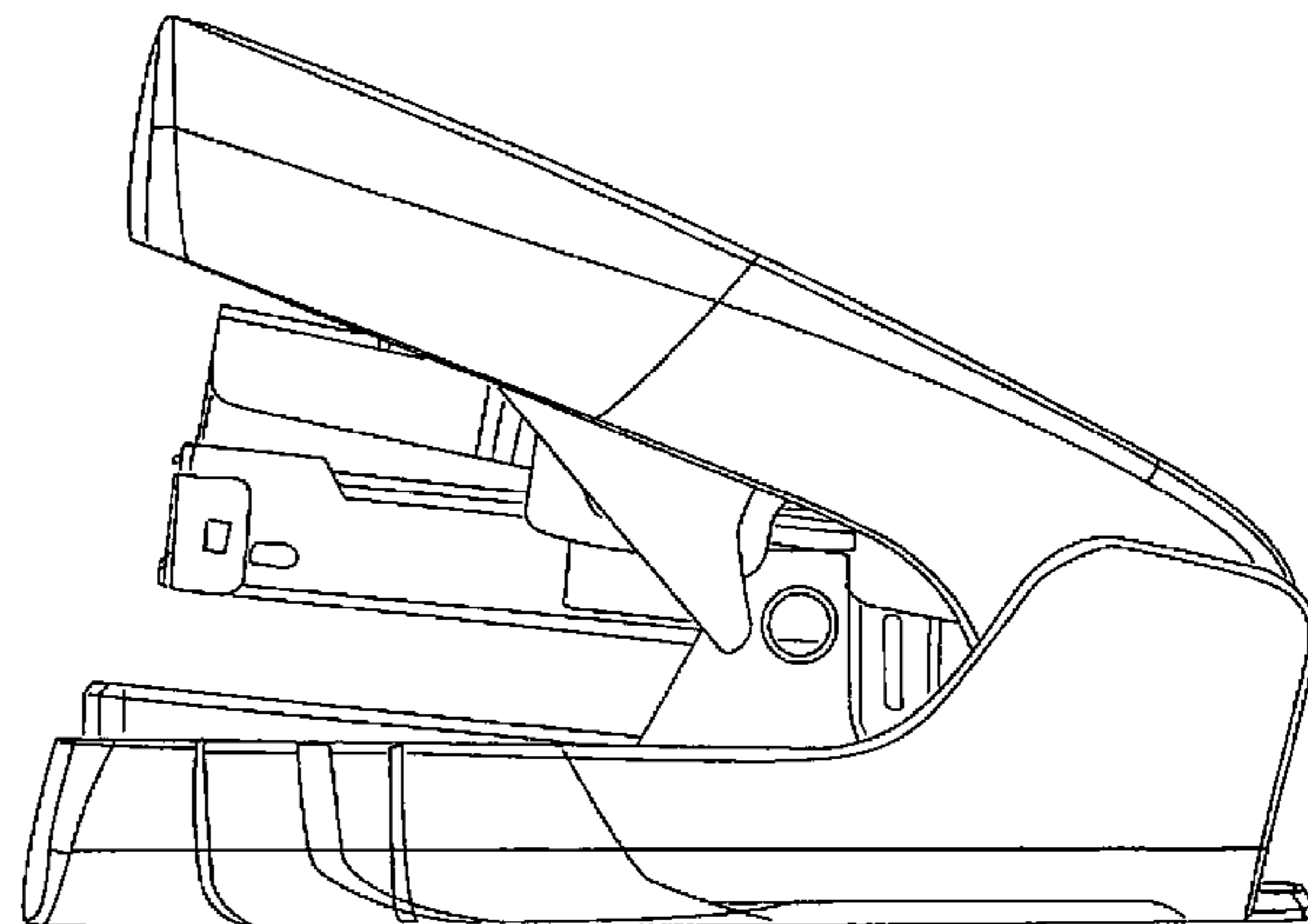
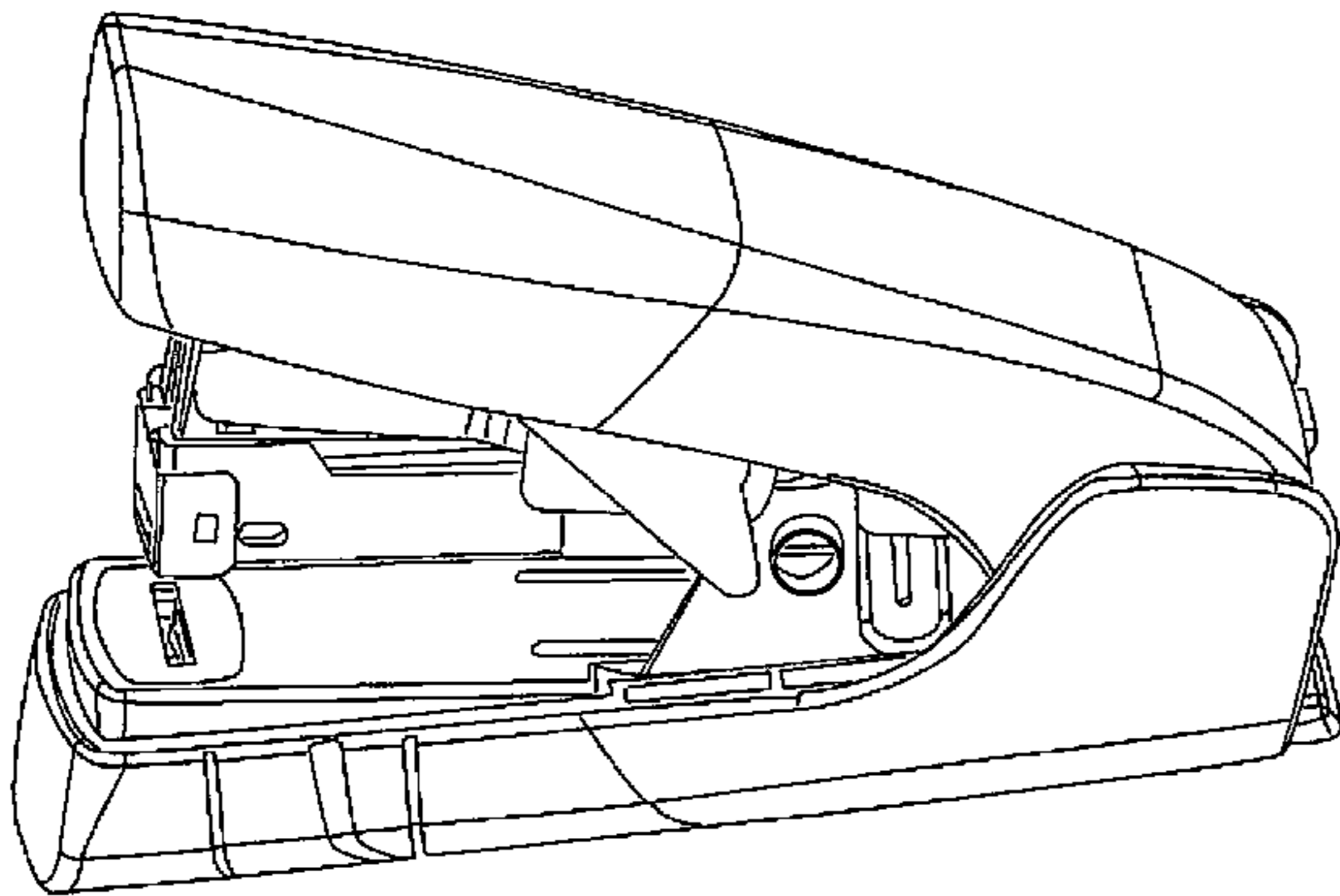
FIG. 6 is a bottom elevational view thereof;

FIG. 7 is a front elevational view thereof; and,

FIG. 8 is a rear elevational view thereof.

The broken lines shown in the drawings illustrate environ-
mental matter and form no part of the claimed design.

1 Claim, 4 Drawing Sheets



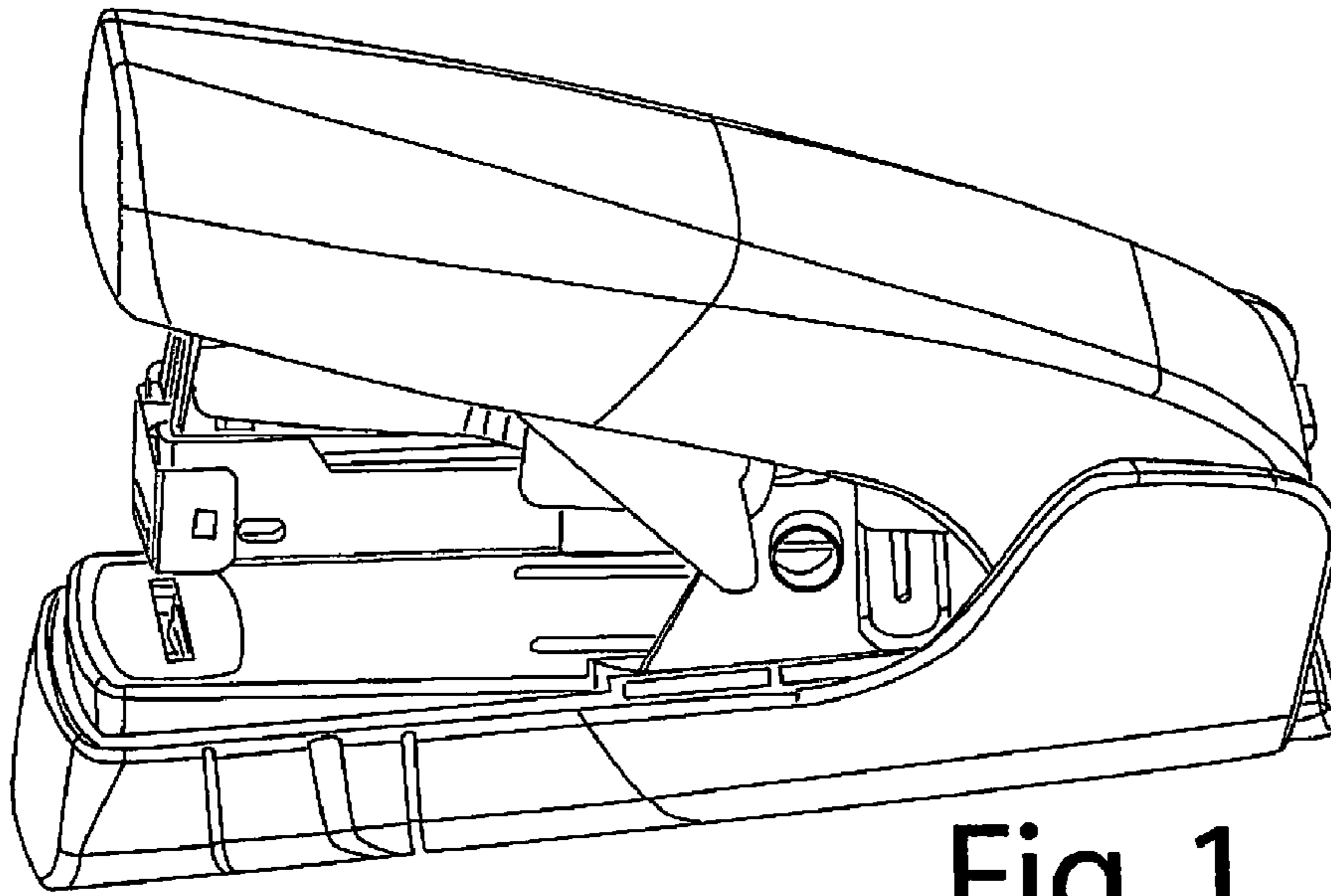


Fig. 1

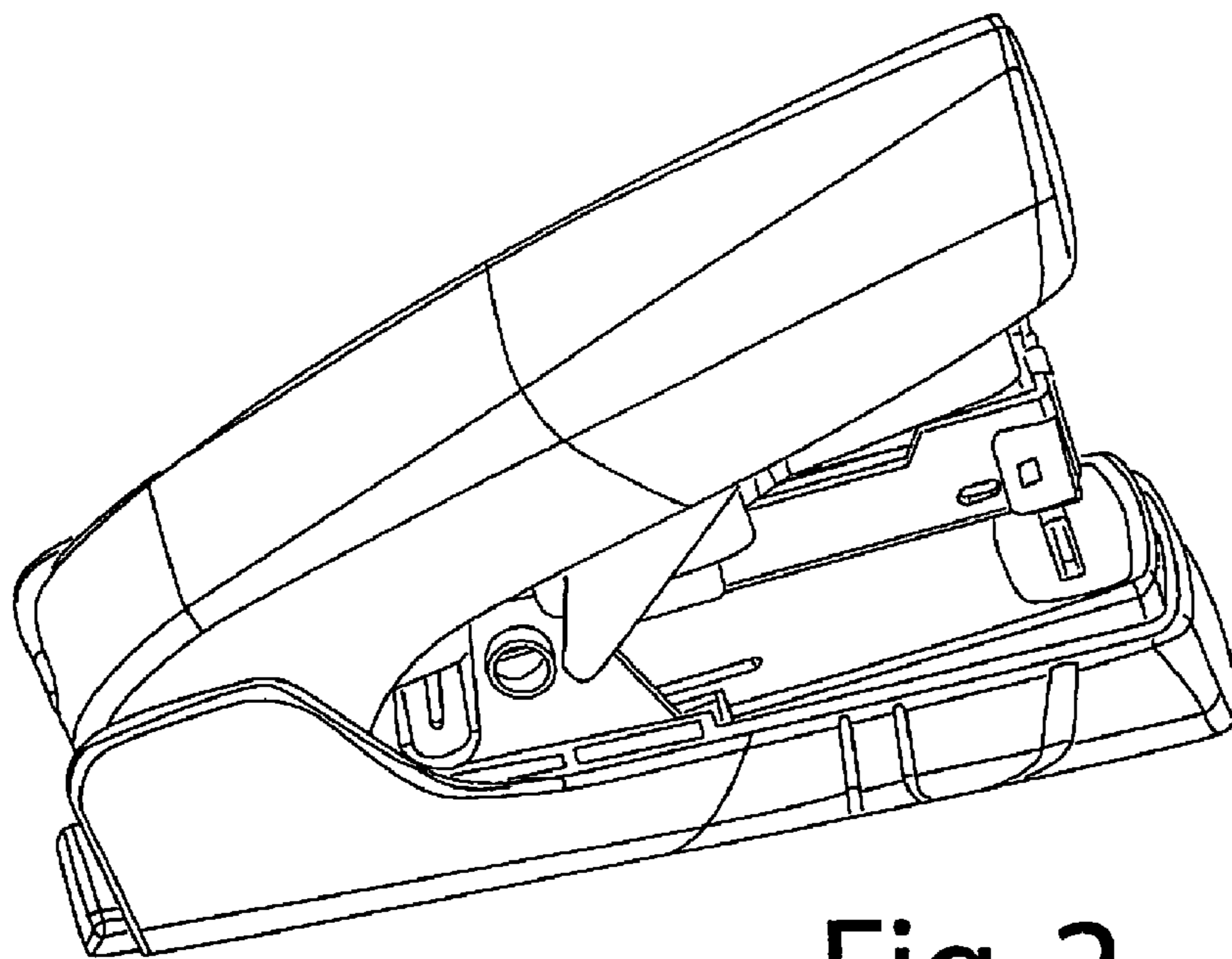


Fig. 2

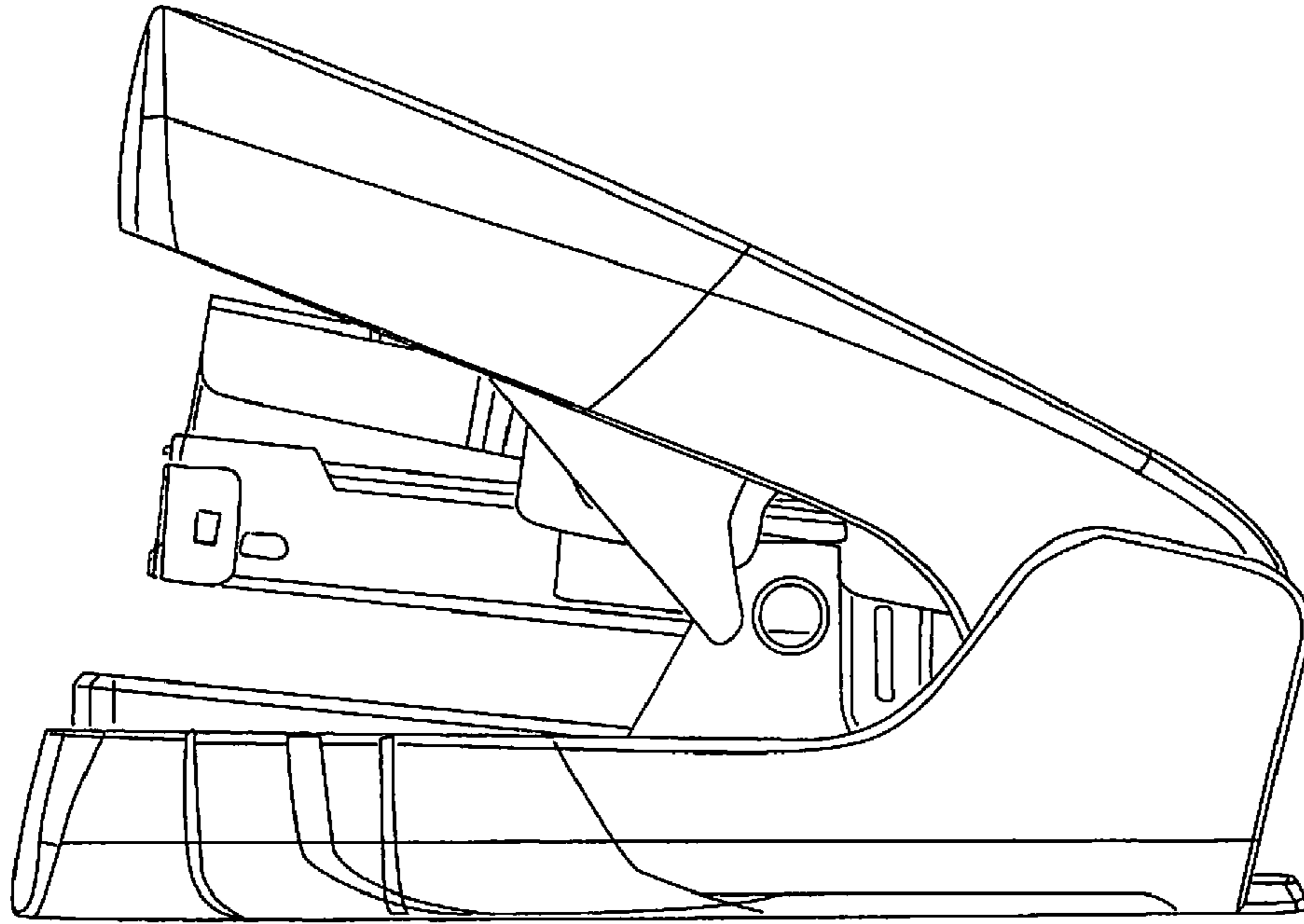


Fig. 3

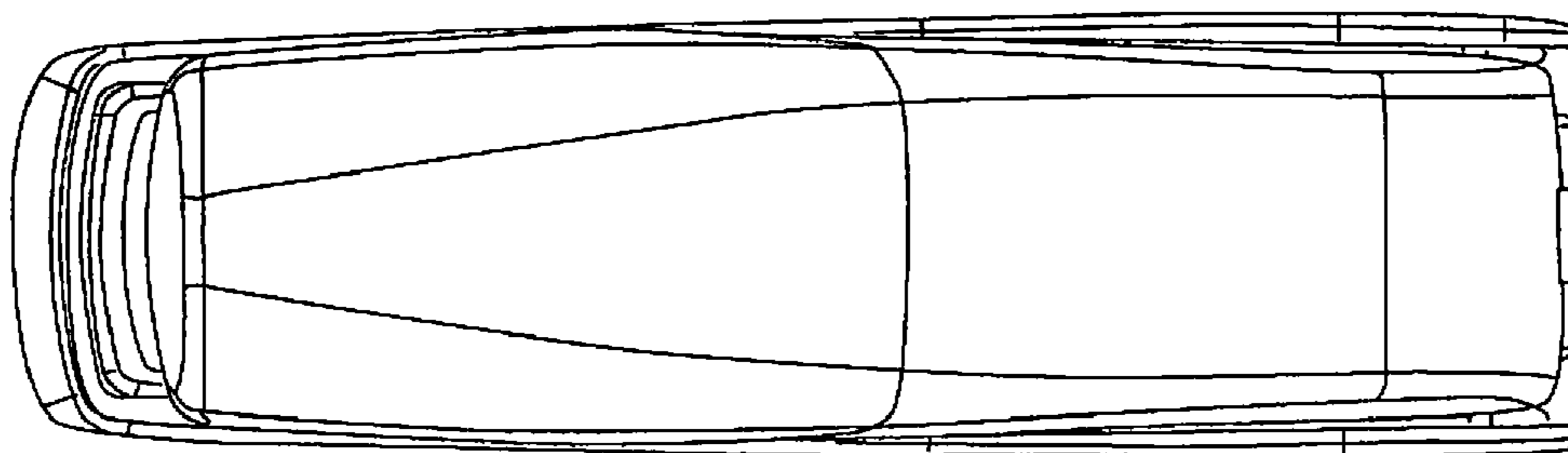


Fig. 4

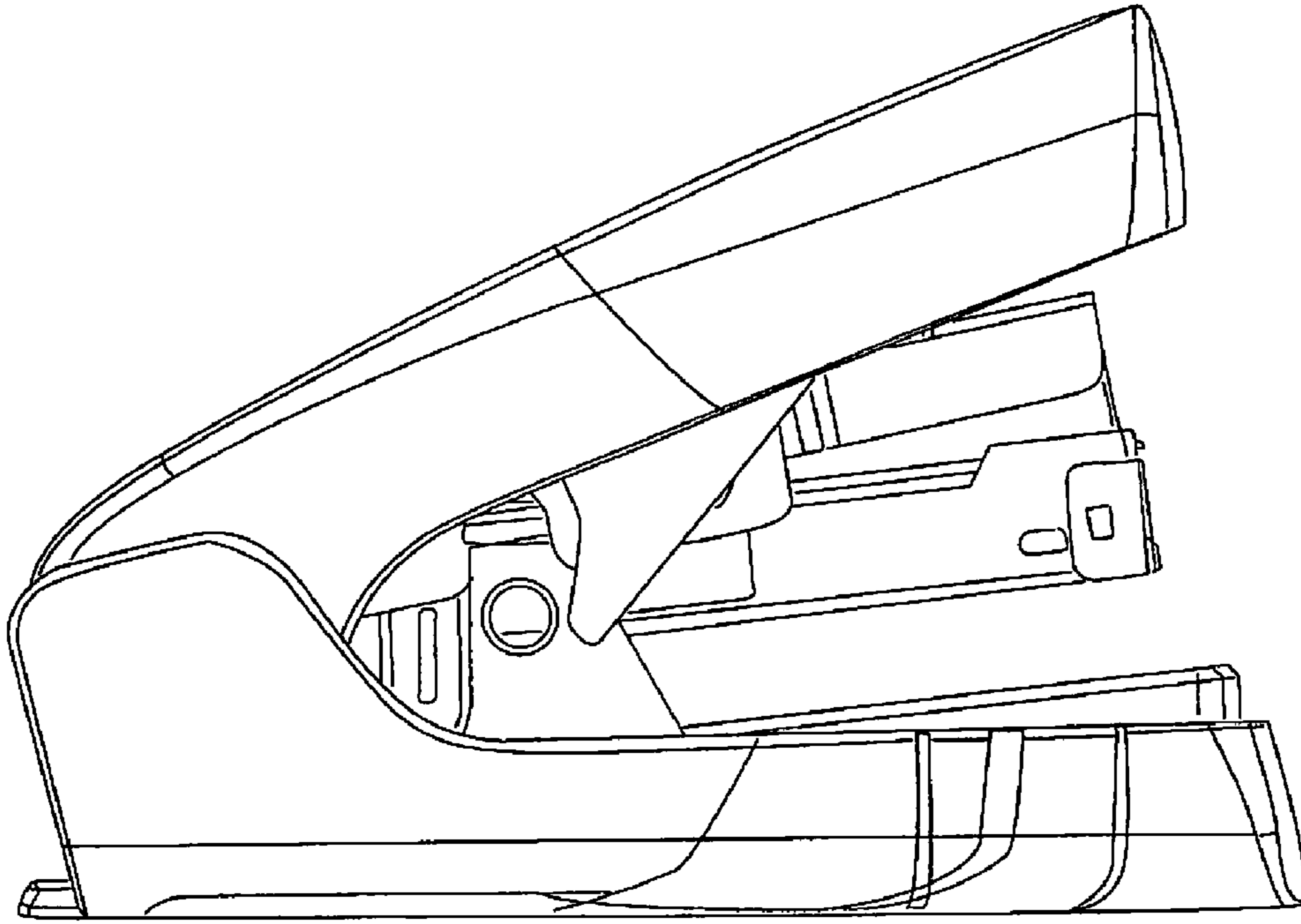


Fig. 5

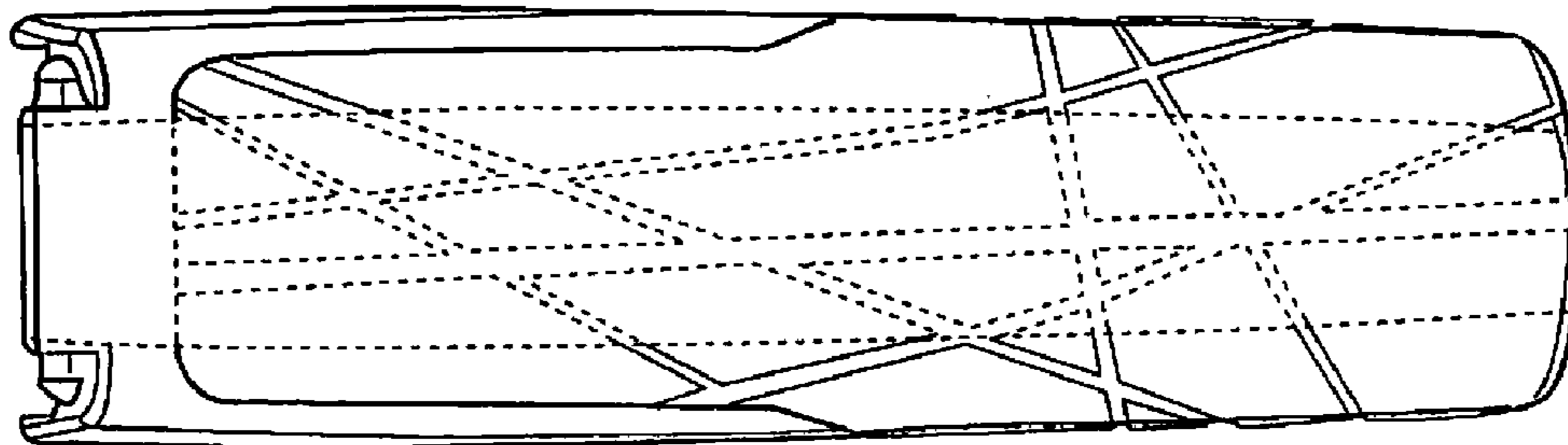


Fig. 6

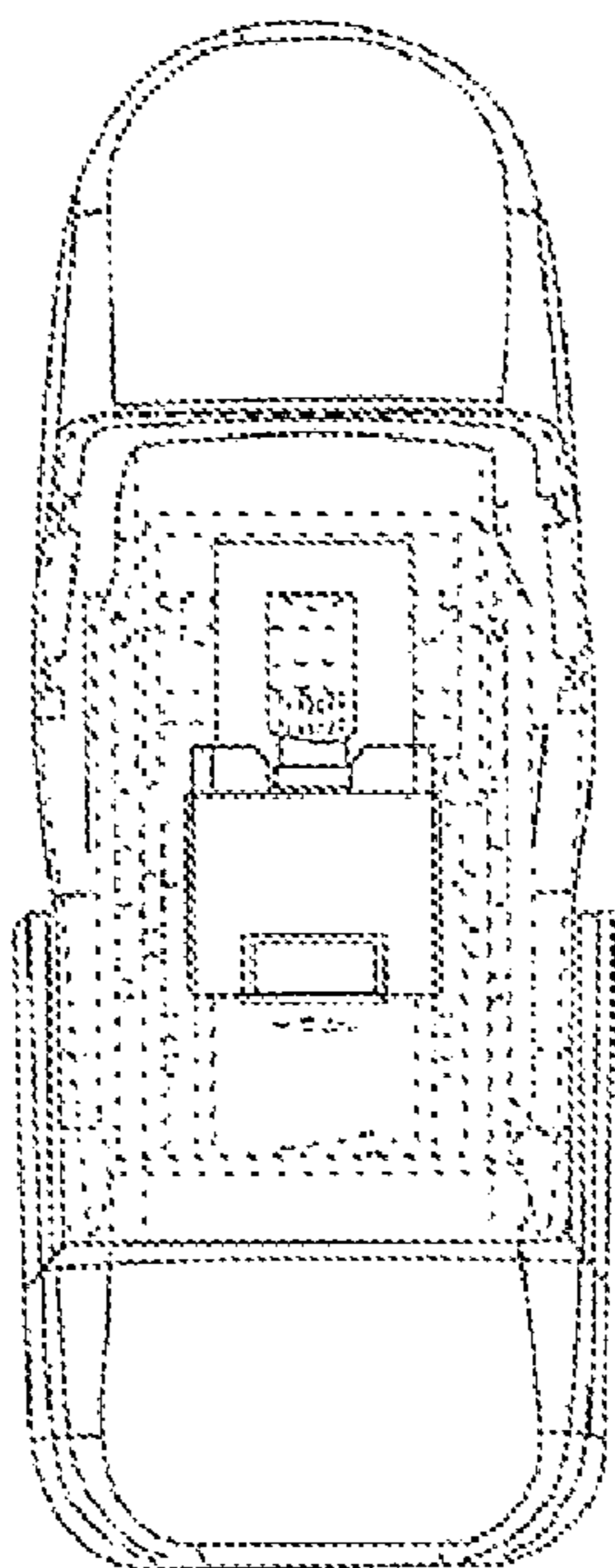


Fig. 7

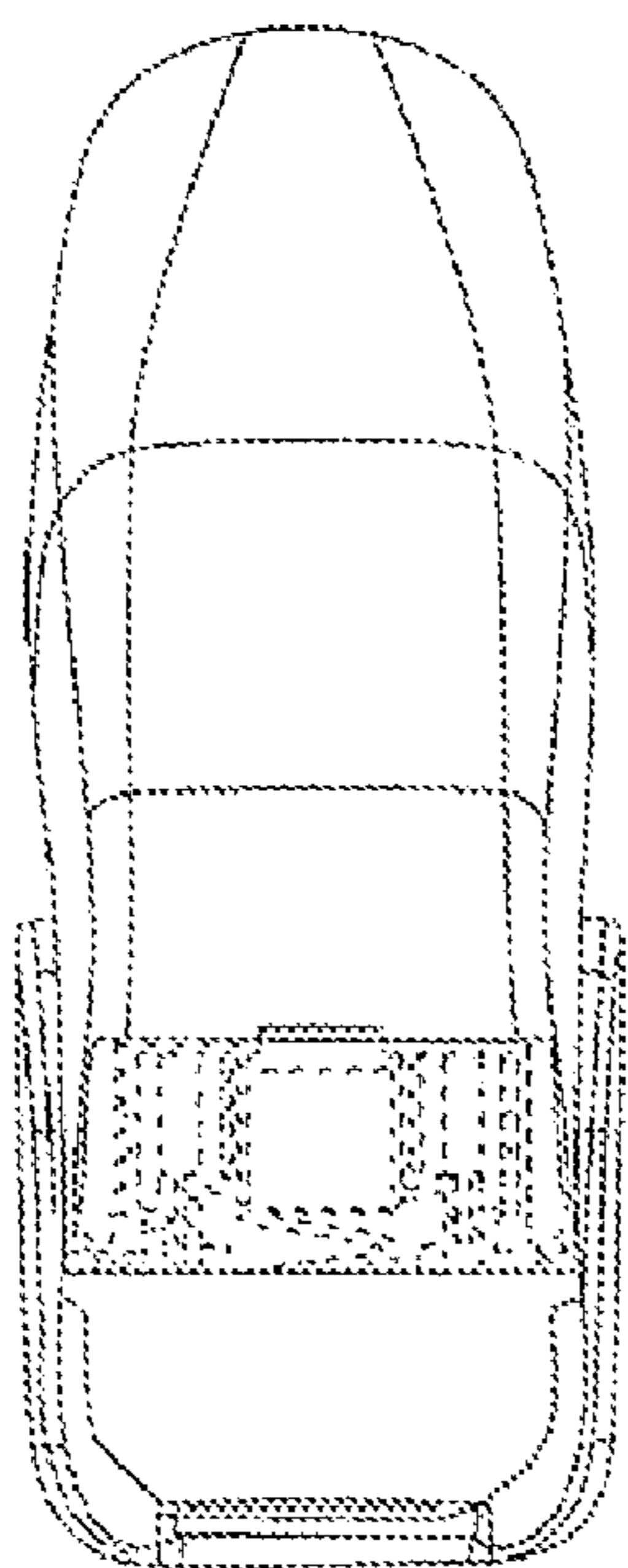


Fig. 8