



US00D617158S

(12) **United States Design Patent**  
**Smith**

(10) **Patent No.:** **US D617,158 S**

(45) **Date of Patent:** **\*\* \*Jun. 8, 2010**

(54) **COMBINED SNOW SHOVEL, SCRAPER AND BROOM**

(76) Inventor: **Kevin R. Smith**, 13688 Saratoga St., Detroit, MI (US) 48205

(\* ) Notice: This patent is subject to a terminal disclaimer.

(\*\*) Term: **14 Years**

(21) Appl. No.: **29/278,726**

(22) Filed: **Apr. 6, 2007**

(51) **LOC (9) Cl.** ..... **08-01**

(52) **U.S. Cl.** ..... **D8/10**

(58) **Field of Classification Search** ..... D8/10;  
294/49, 54.5; 7/116; 14/111

See application file for complete search history.

(56) **References Cited**

U.S. PATENT DOCUMENTS

1,922,998	A *	8/1933	Williams	.....	15/111
2,867,827	A *	1/1959	Gantz	.....	15/111
3,733,626	A	5/1973	Osadsky		
3,733,636	A *	5/1973	Osadsky	.....	15/111
3,804,451	A	4/1974	Burke		
D299,289	S	1/1989	Machacek		
D355,075	S	2/1995	Stone		
5,727,829	A	3/1998	Bellichak		
5,743,580	A	4/1998	Evans		

D405,330	S *	2/1999	Whitehead et al.	.....	D8/10
D409,886	S *	5/1999	Whitehead et al.	.....	D8/10
D415,663	S *	10/1999	Whitehead et al.	.....	D8/10
D433,889	S	11/2000	Spear		
D444,952	S	7/2001	Mason, Jr.		
6,944,980	B1 *	9/2005	Lefrancois	.....	37/285
7,216,907	B1 *	5/2007	Mussman et al.	.....	294/49
D553,921	S *	10/2007	Melady	.....	D8/10

\* cited by examiner

*Primary Examiner*—Holly H. Baynham

*Assistant Examiner*—Sheryl Friedman

(74) *Attorney, Agent, or Firm*—Crossley Patent Law; Mark A. Crossley

(57) **CLAIM**

The ornamental design for a combined snow shovel, scraper, and broom, as shown and described.

**DESCRIPTION**

FIG. 1 is a front elevation view of a combined snow shovel, scraper, and broom showing my new design;

FIG. 2 is a rear elevation view;

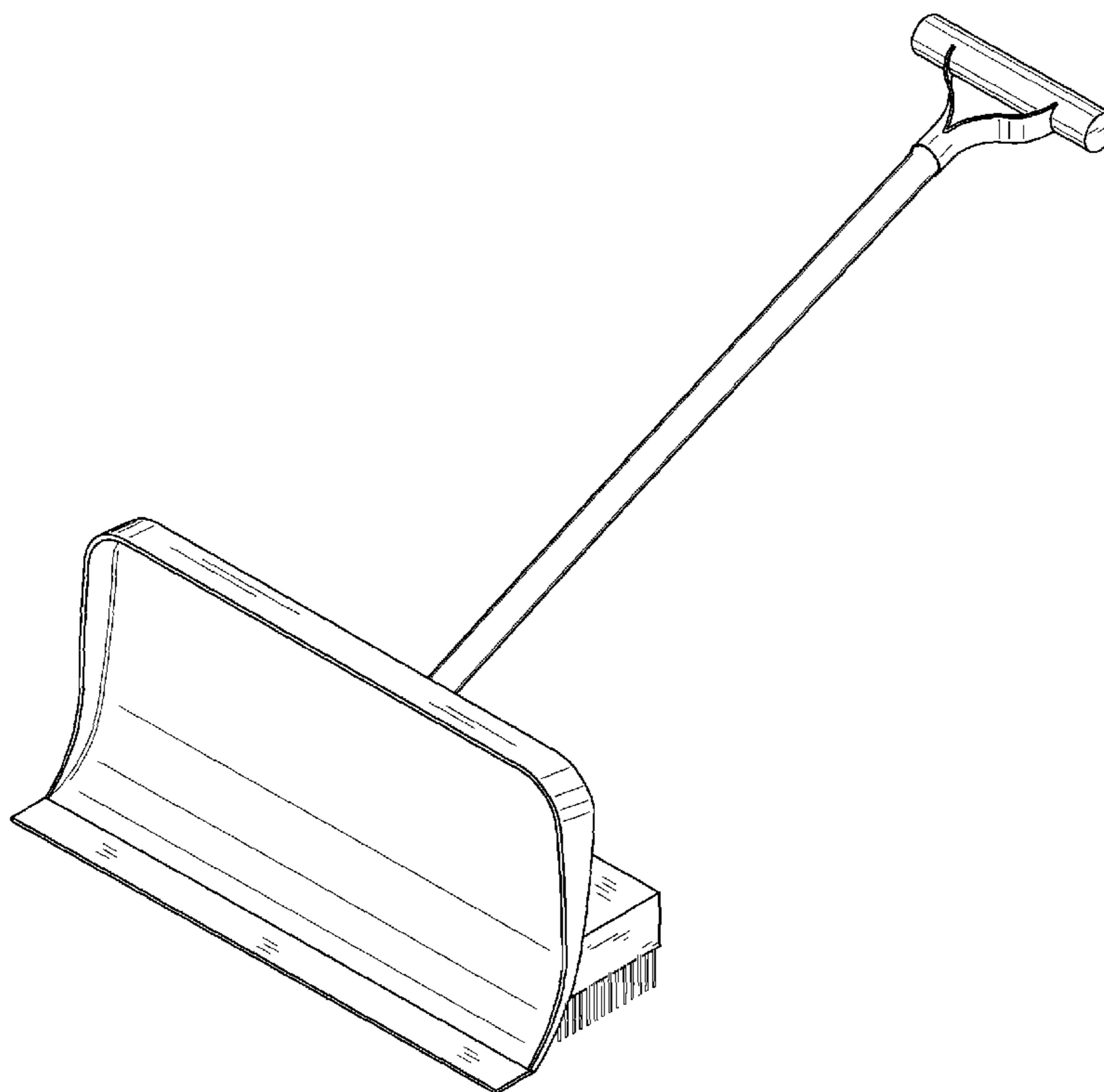
FIG. 3 is a right side elevation view;

FIG. 4 is a top plan view

FIG. 5 is a bottom plan view; and,

FIG. 6 is an isometric view of a combined snow shovel, scraper, and broom showing my new design.

**1 Claim, 3 Drawing Sheets**



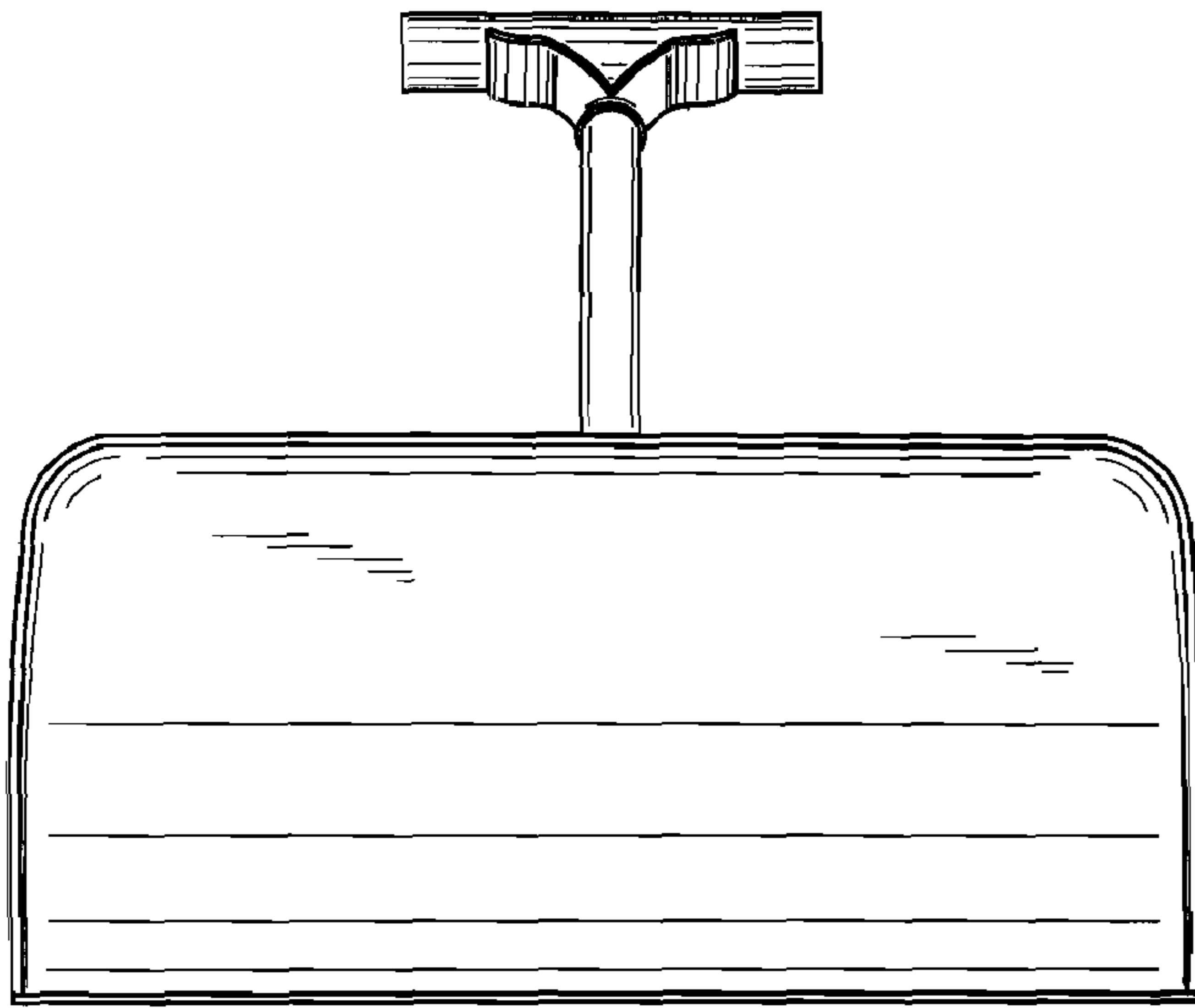


FIG. 1

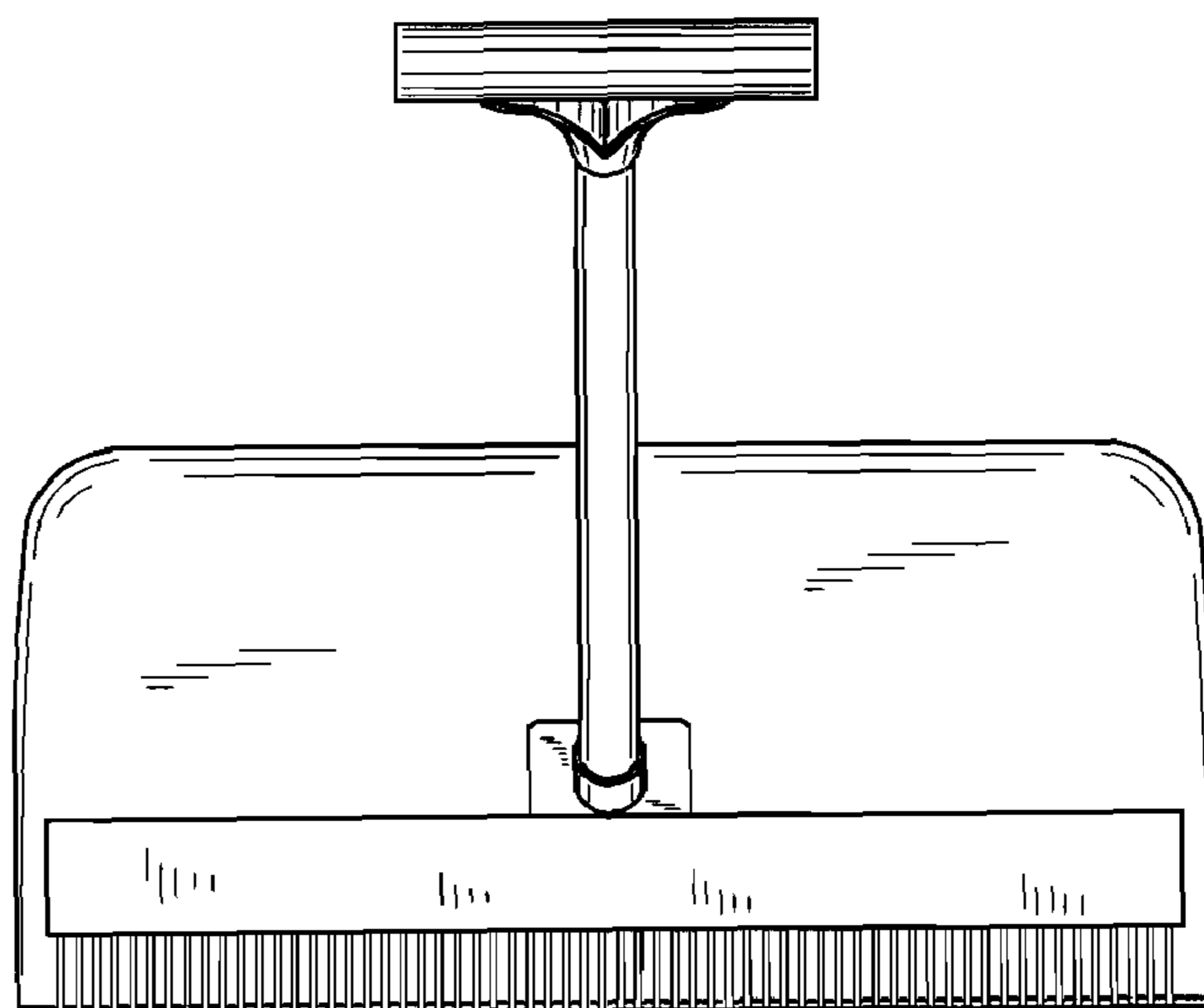


FIG. 2

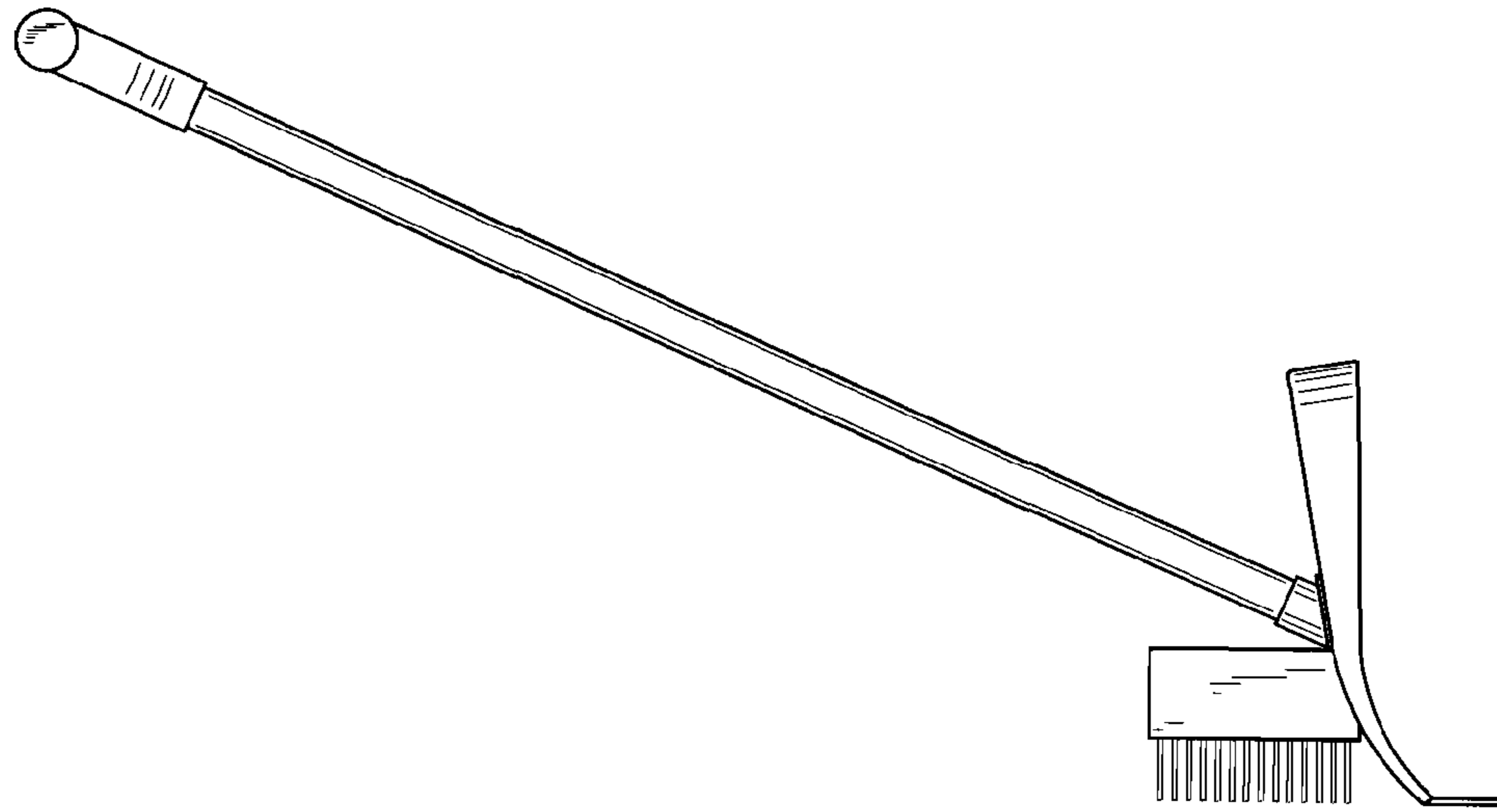


FIG. 3

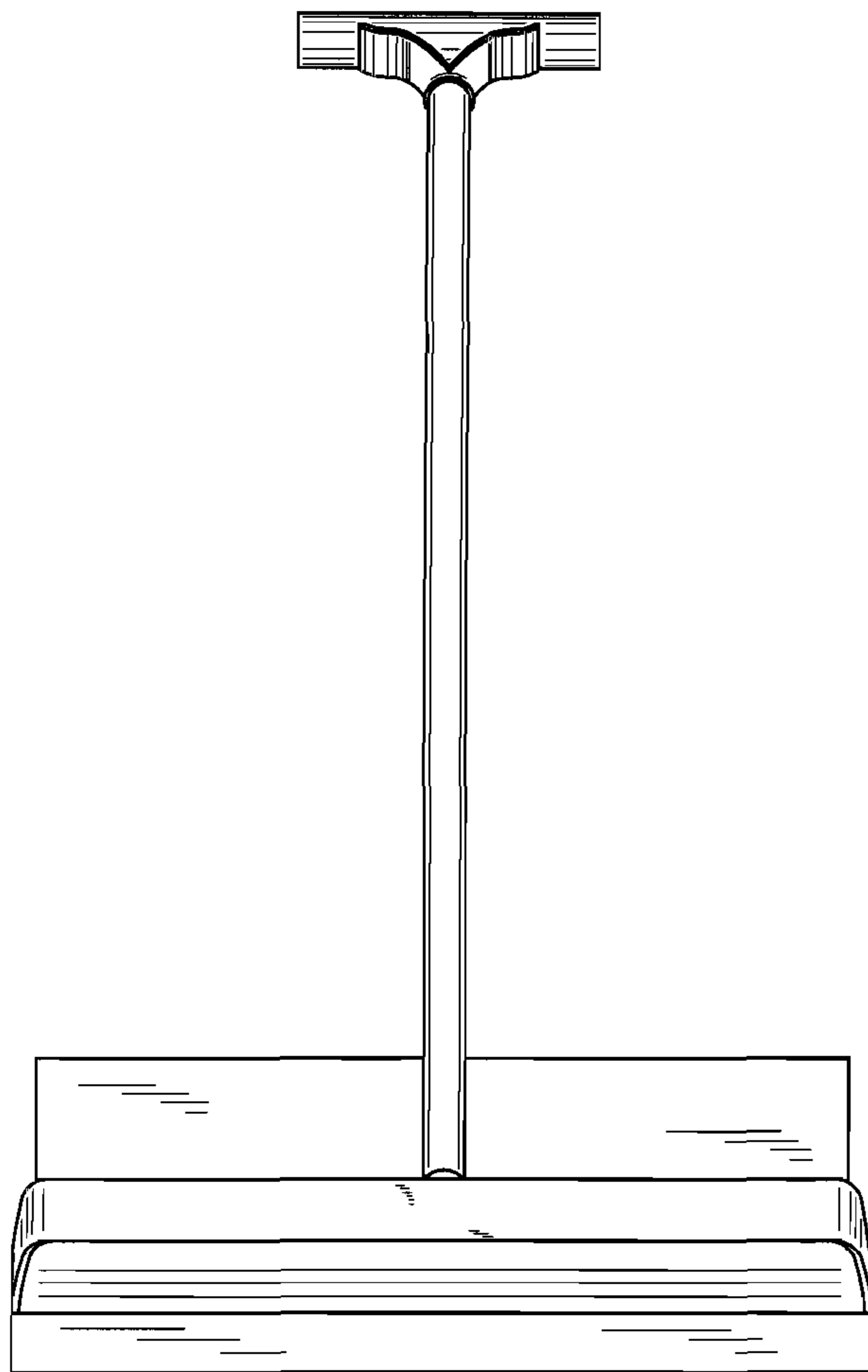


FIG. 4

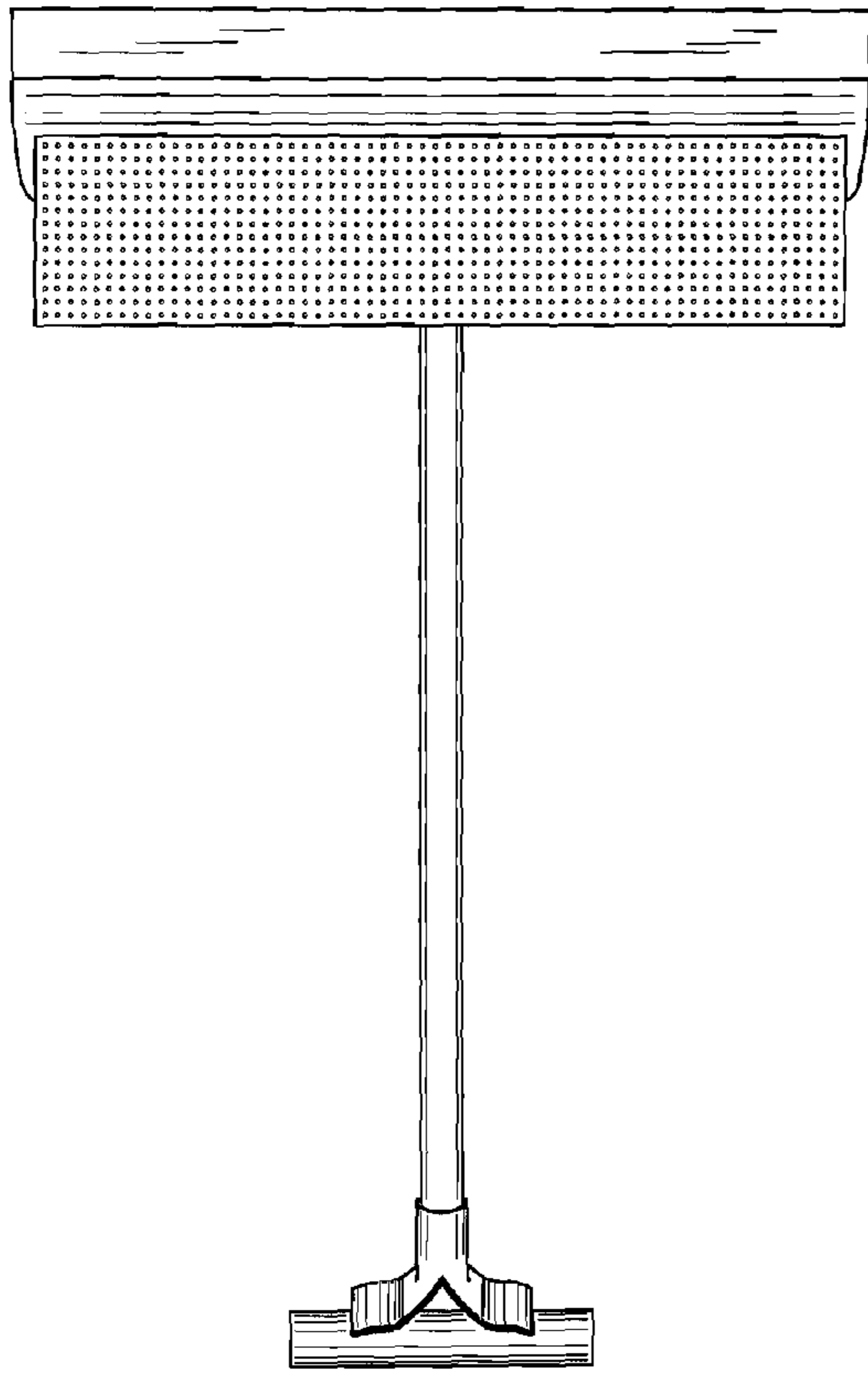


FIG. 5

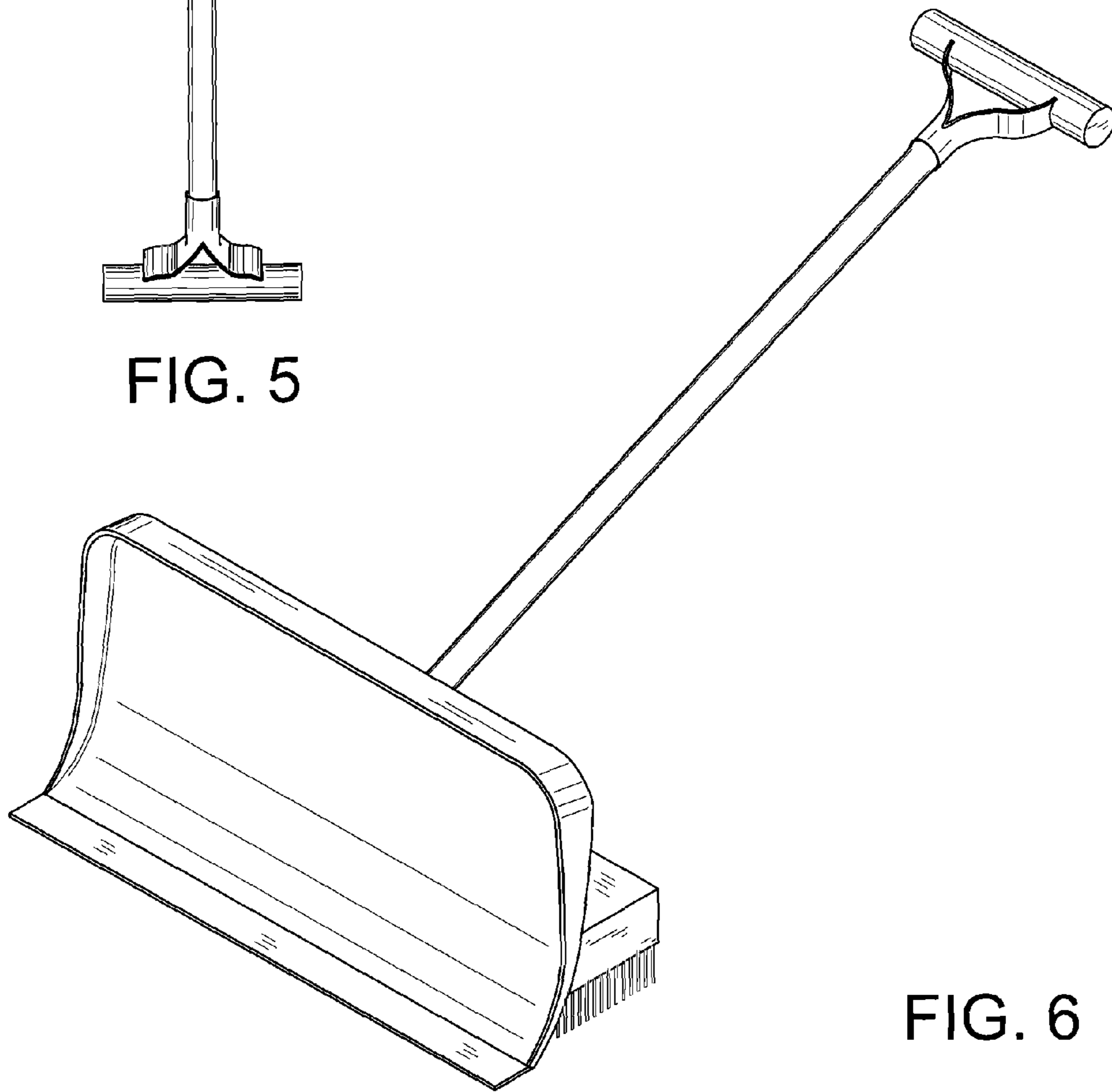


FIG. 6