



US00D617153S

(12) **United States Design Patent**  
**Genberg et al.**

(10) **Patent No.:** **US D617,153 S**  
(45) **Date of Patent:** **\*\* Jun. 8, 2010**

(54) **KNIFE**

(75) Inventors: **Paul Genberg**, Minneapolis, MN (US);  
**Ayse Birsal**, New York, NY (US)

(73) Assignee: **Target Brands, Inc.**, Minneapolis, MN  
(US)

(\*\*) Term: **14 Years**

(21) Appl. No.: **29/353,782**

(22) Filed: **Jan. 14, 2010**

(51) **LOC (9) Cl.** ..... **07-03**

(52) **U.S. Cl.** ..... **D7/649**

(58) **Field of Classification Search** ..... D7/368,  
D7/393-395, 401.2, 642-653, 660-664, 669,  
D7/675-676, 688-692, 695-696; D8/87,  
D8/97-99, 102, 107, 300, 303, 321; 30/137,  
30/141-143, 147-150, 322-327, 329, 340-346  
See application file for complete search history.

(56) **References Cited**

**U.S. PATENT DOCUMENTS**

D16,721 S	6/1886	Brittin
D23,034 S	2/1894	Curran
D23,659 S	9/1894	Koenig
D24,386 S	6/1895	Christy
D26,019 S	9/1896	McConnel
D28,186 S	1/1898	Barden
D30,876 S	5/1899	Earle
D32,328 S	3/1900	Bailey

D433,288 S	*	11/2000	Chien	.....	D7/649
D479,104 S	*	9/2003	Onion	.....	D7/649
D547,135 S	*	7/2007	Hasegawa	.....	D7/664
D551,517 S	*	9/2007	Tarrerias	.....	D7/649
D552,429 S	*	10/2007	Onion	.....	D7/649
D554,948 S	*	11/2007	Onion	.....	D7/649
D559,046 S	*	1/2008	Onion	.....	D7/649
D559,047 S	*	1/2008	Onion	.....	D7/649
D559,631 S	*	1/2008	Onion	.....	D7/649

\* cited by examiner

*Primary Examiner*—Caron Veynar

*Assistant Examiner*—Ricky Pham

(74) *Attorney, Agent, or Firm*—Fish & Richardson P.C.

(57) **CLAIM**

The ornamental design for a knife, substantially as shown and described.

**DESCRIPTION**

FIG. 1 is a perspective view of the knife.

FIG. 2 is a left elevation view of the knife of FIG. 1.

FIG. 3 is a right elevation view of the knife of FIG. 1.

FIG. 4 is rear elevation view of the knife of FIG. 1.

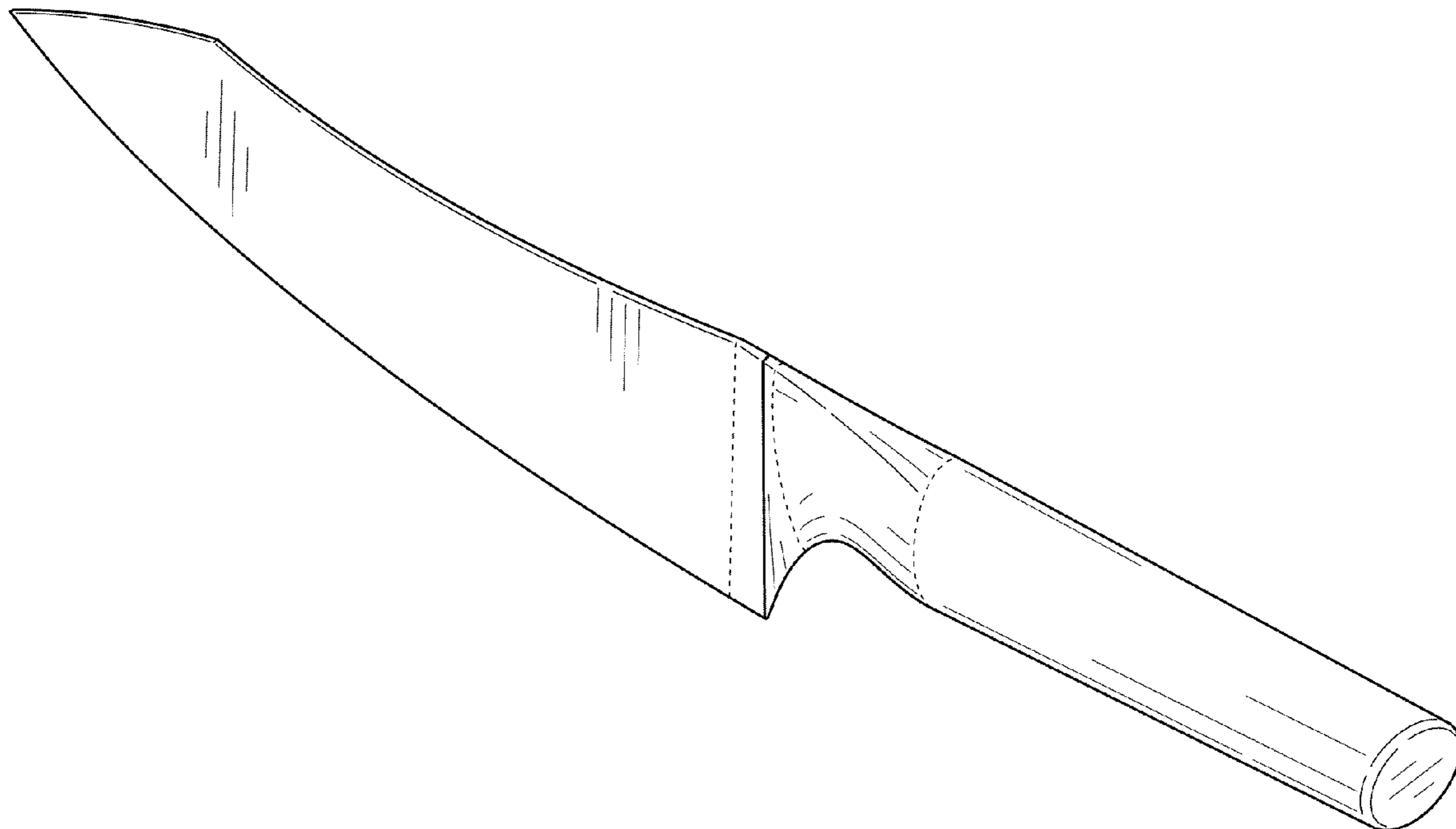
FIG. 5 is a front elevation view of the knife of FIG. 1.

FIG. 6 is a top plan view of the knife of FIG. 1; and,

FIG. 7 is a bottom plan view of the knife of FIG. 1.

The broken lines which define the bounds of the claimed design form no part thereof the claimed design.

**1 Claim, 3 Drawing Sheets**



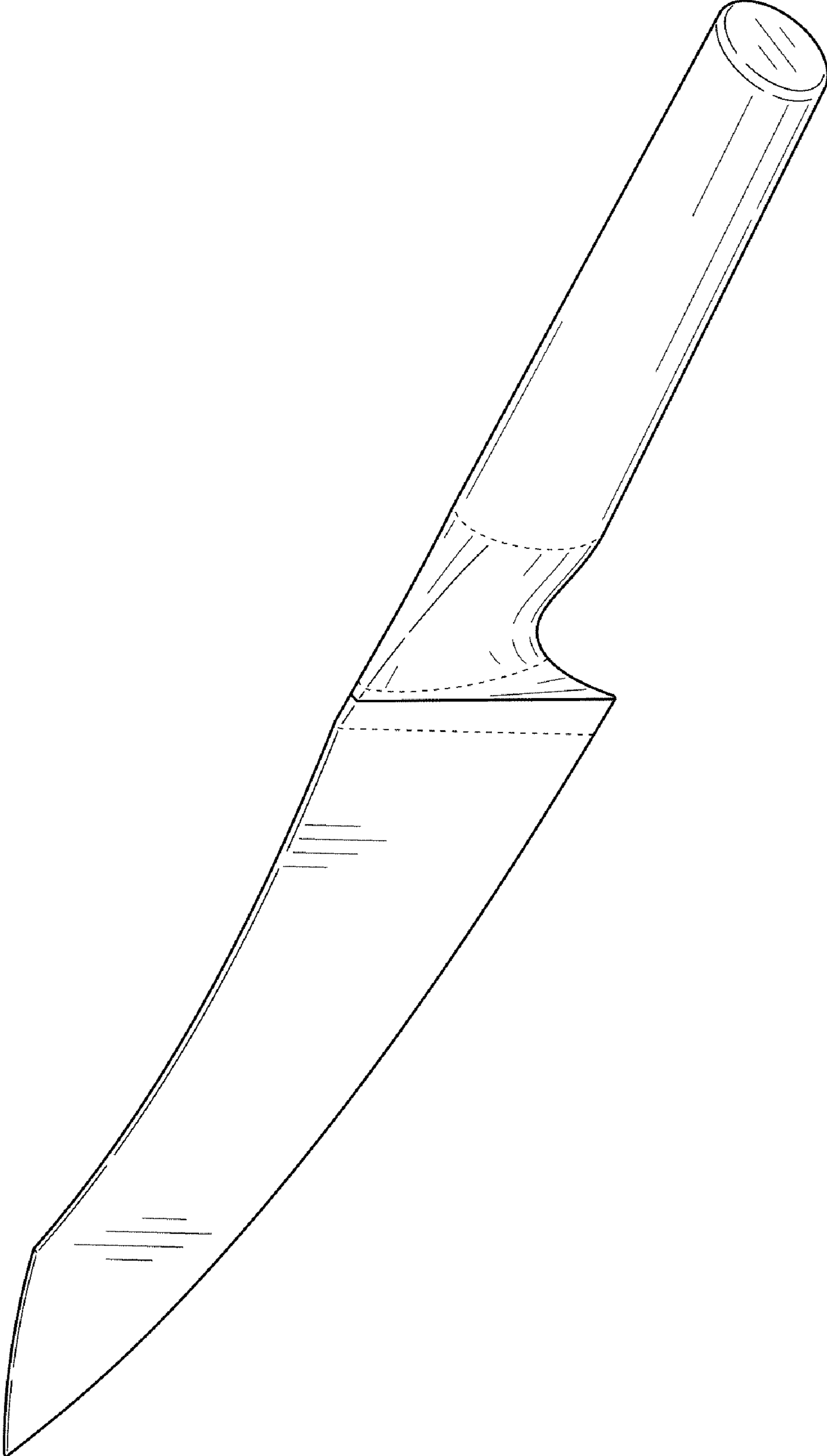


FIG. 1

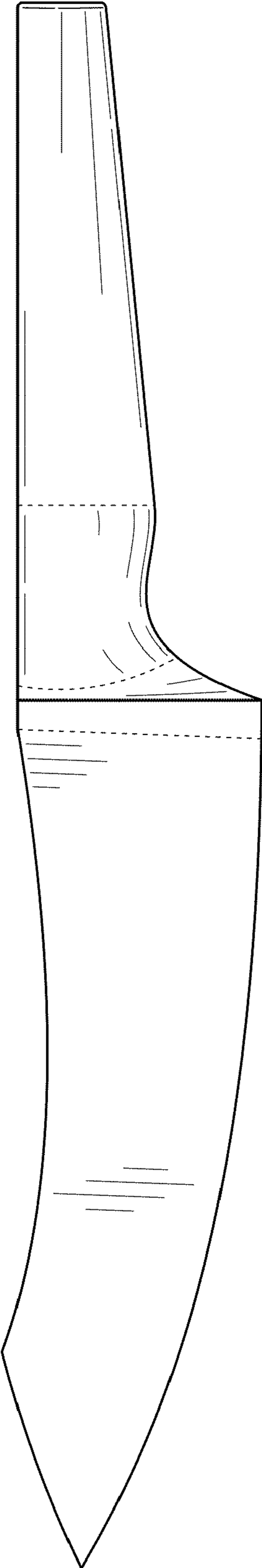


FIG. 2

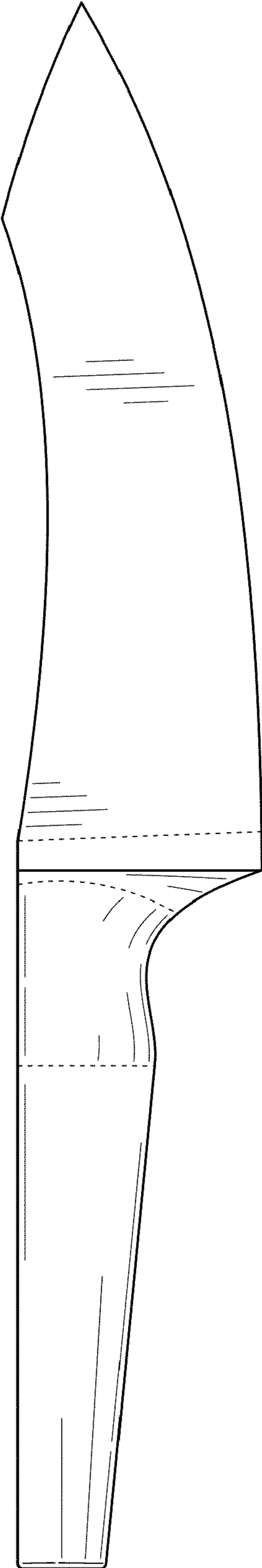


FIG. 3

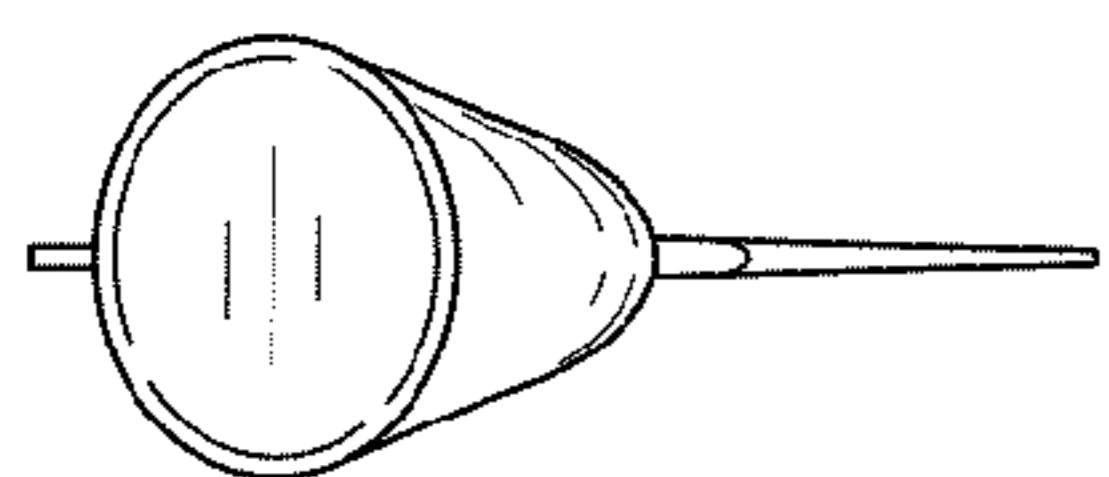


FIG. 4

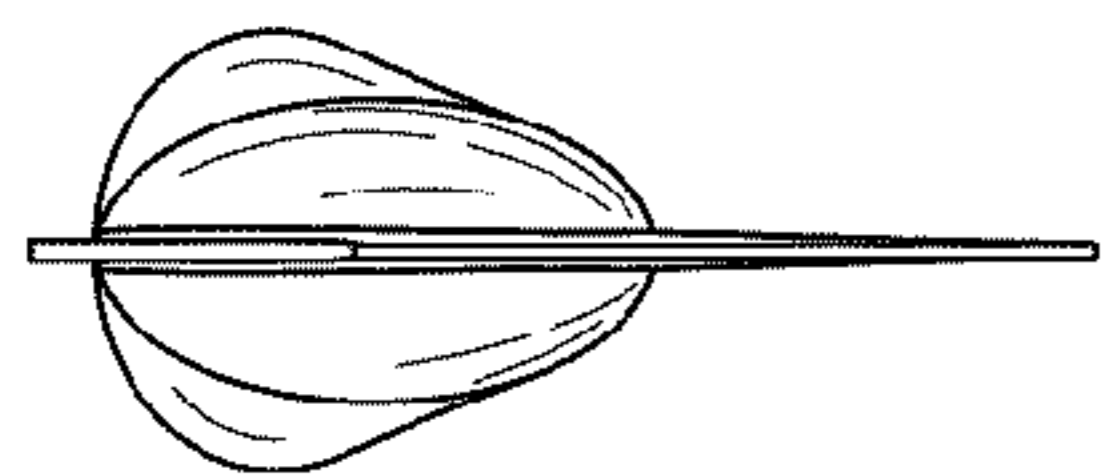


FIG. 5

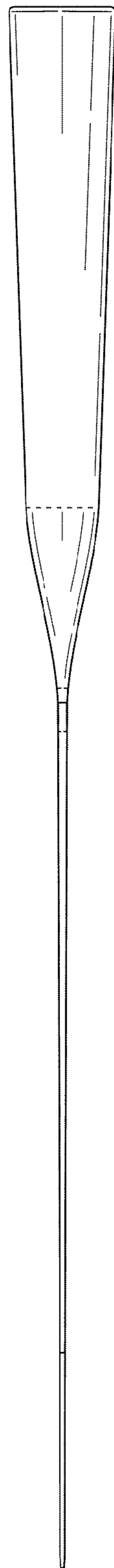


FIG. 6

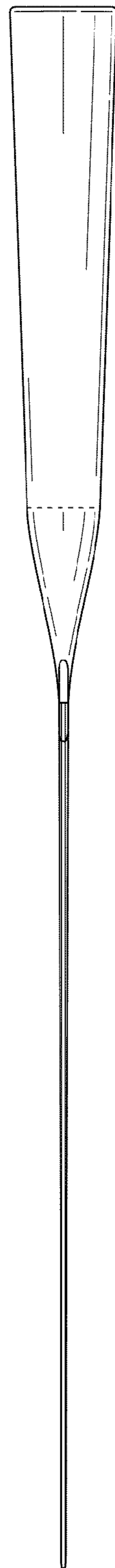


FIG. 7