



US00D617152S

(12) **United States Design Patent**
Vondette

(10) **Patent No.:** **US D617,152 S**

(45) **Date of Patent:** **** Jun. 8, 2010**

(54) **OUTDOOR MULTIPLE BOTTLE AND CAN HOLDER**

(74) *Attorney, Agent, or Firm*—Robert L. McKellar; McKellar IP Law, PLLC

(76) Inventor: **Ronald Vondette**, 7390 Tittabawassee, Saginaw, MI (US) 48603

(57) **CLAIM**

The ornamental design for an outdoor multiple bottle and can holder, as shown an described.

(**) Term: **14 Years**

(21) Appl. No.: **29/316,017**

DESCRIPTION

(22) Filed: **Aug. 17, 2009**

FIG. 1 is a front elevational view with cup platform and retainers extended;

(51) **LOC (9) Cl.** **07-06**

FIG. 2 is a left side elevational view with cup platform and retainers extended;

(52) **U.S. Cl.** **D7/620**

(58) **Field of Classification Search** D7/619.1–625, D7/701–707; 248/146, 156, 87, 153, 309.1, 248/311.1, 311.2; 47/47, 41.14; 211/74
See application file for complete search history.

FIG. 3 is a right side elevational view with cup platform and retainers extended;

(56) **References Cited**

U.S. PATENT DOCUMENTS

| | | | | | |
|-----------|-----|---------|------------------|-------|-----------|
| 2,520,818 | A * | 8/1950 | Terry | | 248/153 |
| 4,828,211 | A * | 5/1989 | McConnell et al. | | 248/311.2 |
| 5,167,392 | A * | 12/1992 | Henricksen | | 248/311.2 |
| 5,570,863 | A * | 11/1996 | Cooper | | 248/146 |
| D376,072 | S * | 12/1996 | Joergensen | | D7/620 |
| D431,423 | S * | 10/2000 | Ohm et al. | | D7/620 |
| D549,525 | S * | 8/2007 | Kozel et al. | | D7/620 |

FIG. 4 is a top plan view with cup platform and retainers extended;

FIG. 5 is a bottom plan view with cup platform extended;

FIG. 6 is a left side elevational view with cup platform extended and retainers extended and fully opened;

FIG. 7 is a right side elevational view with cup platform extended and cup retainers extended and fully opened; and,

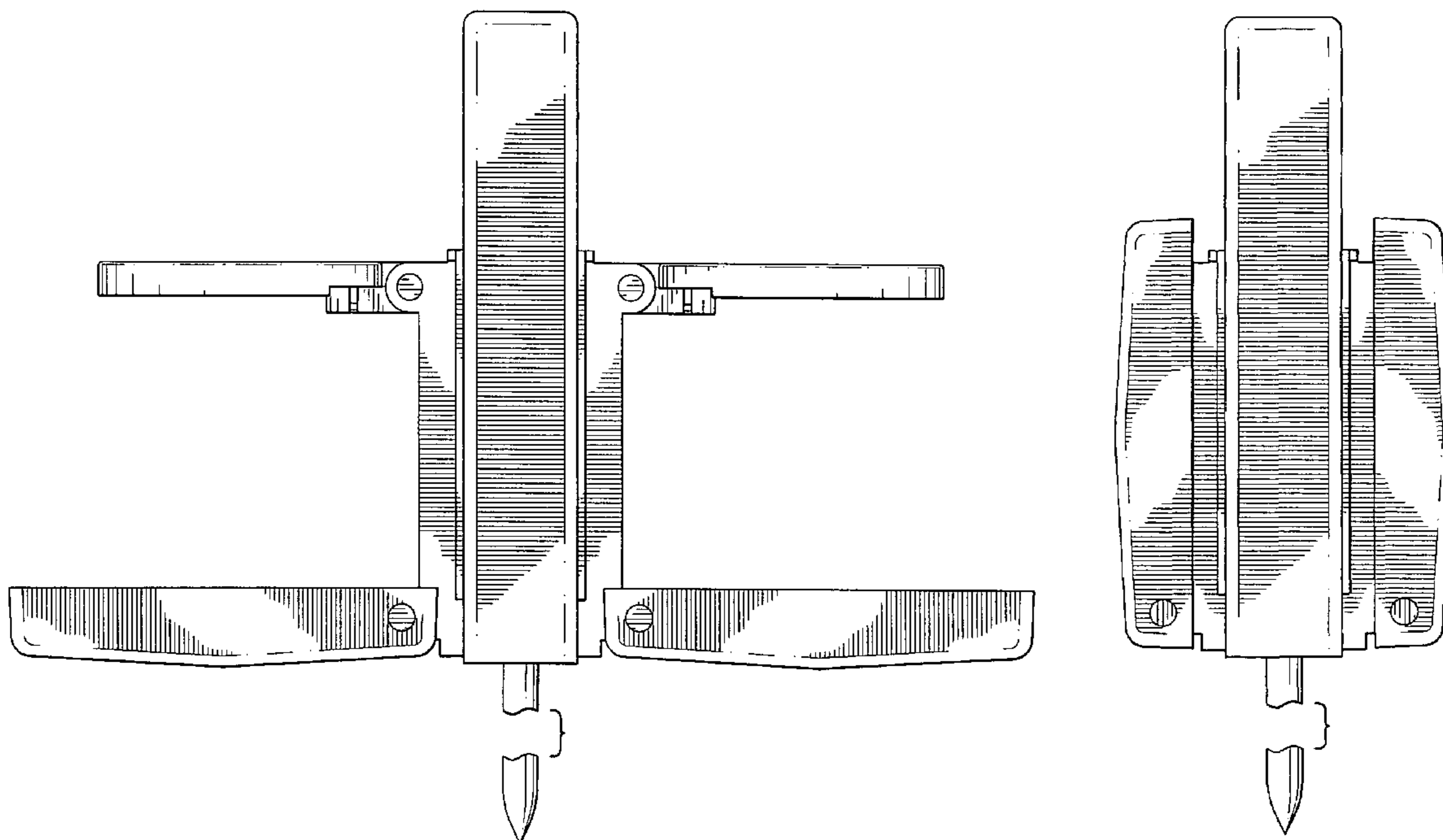
FIG. 8 is a front elevational view with retainers and platforms retracted.

In broken lines in the drawings are for illustrative purposes only and form no part of the claimed design.

* cited by examiner

Primary Examiner—Terry A Wallace

1 Claim, 8 Drawing Sheets



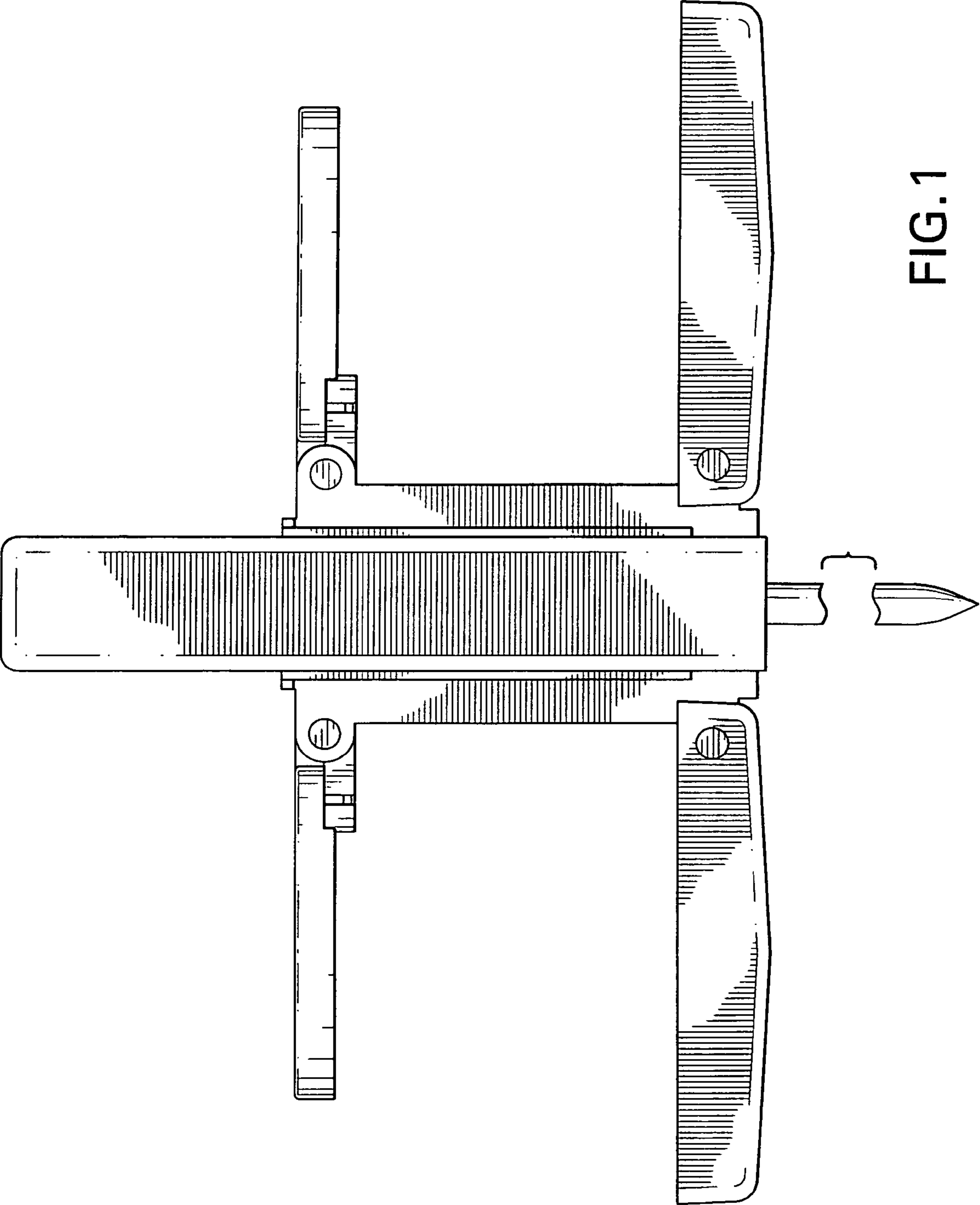


FIG. 1

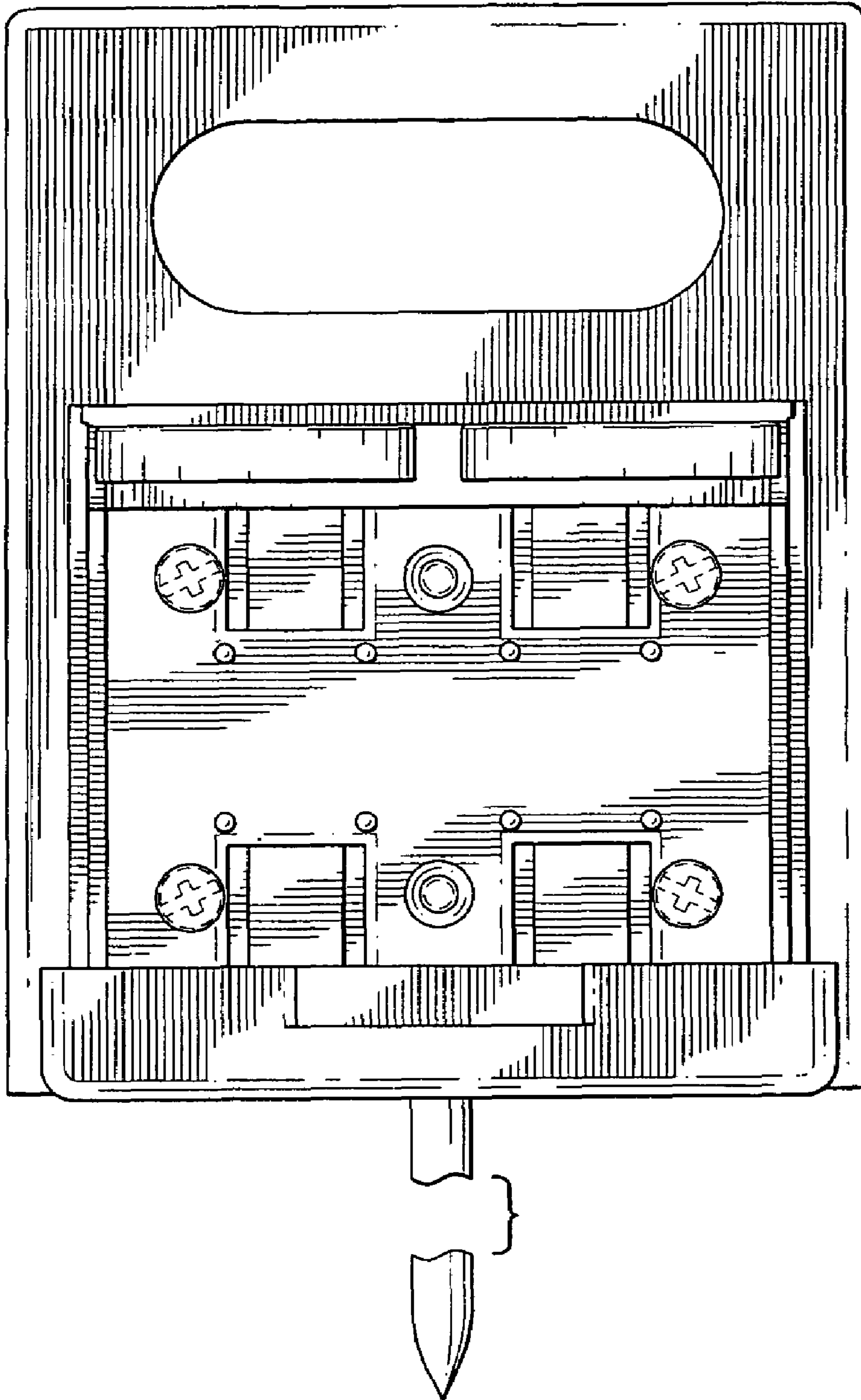


FIG. 2

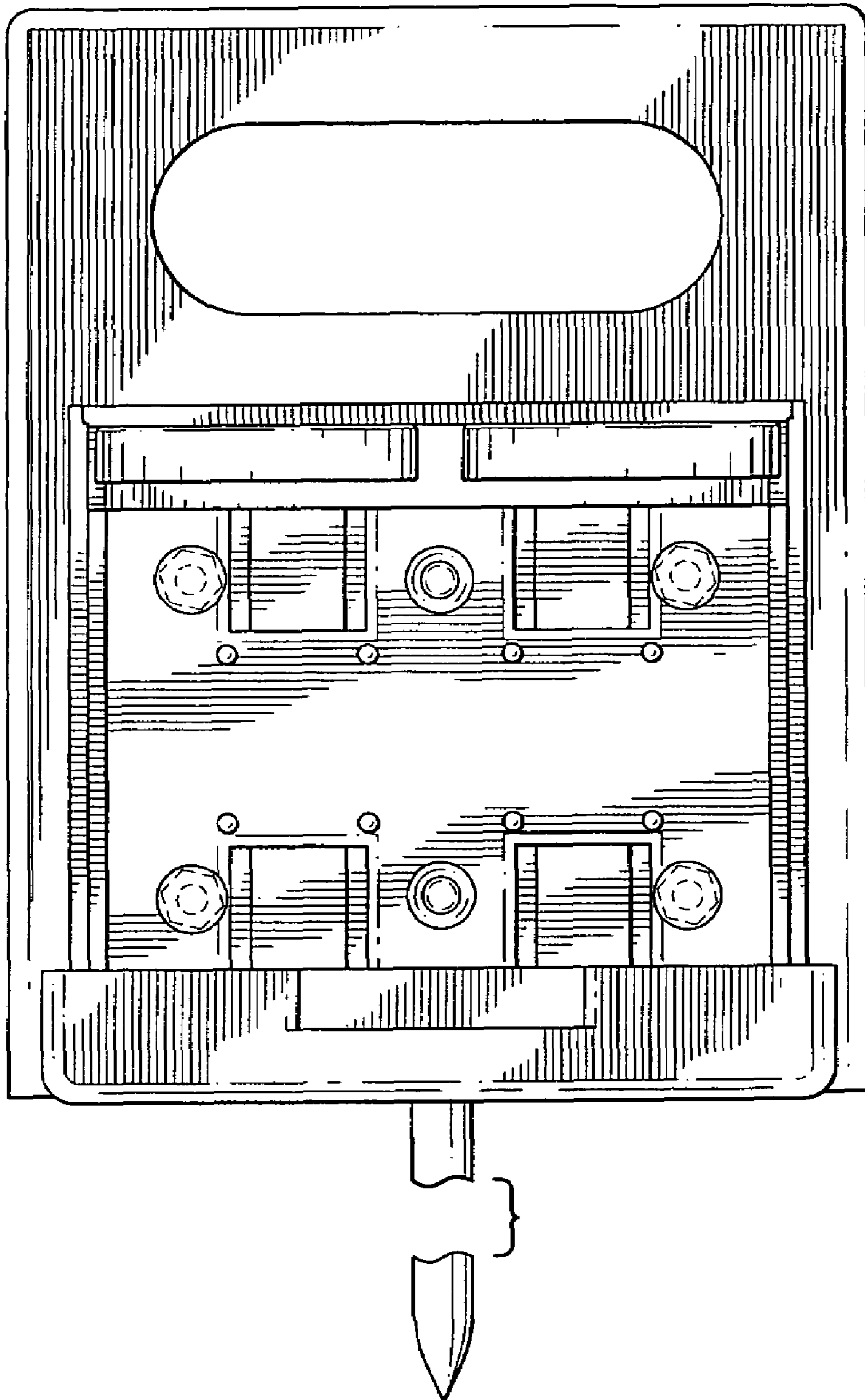


FIG. 3

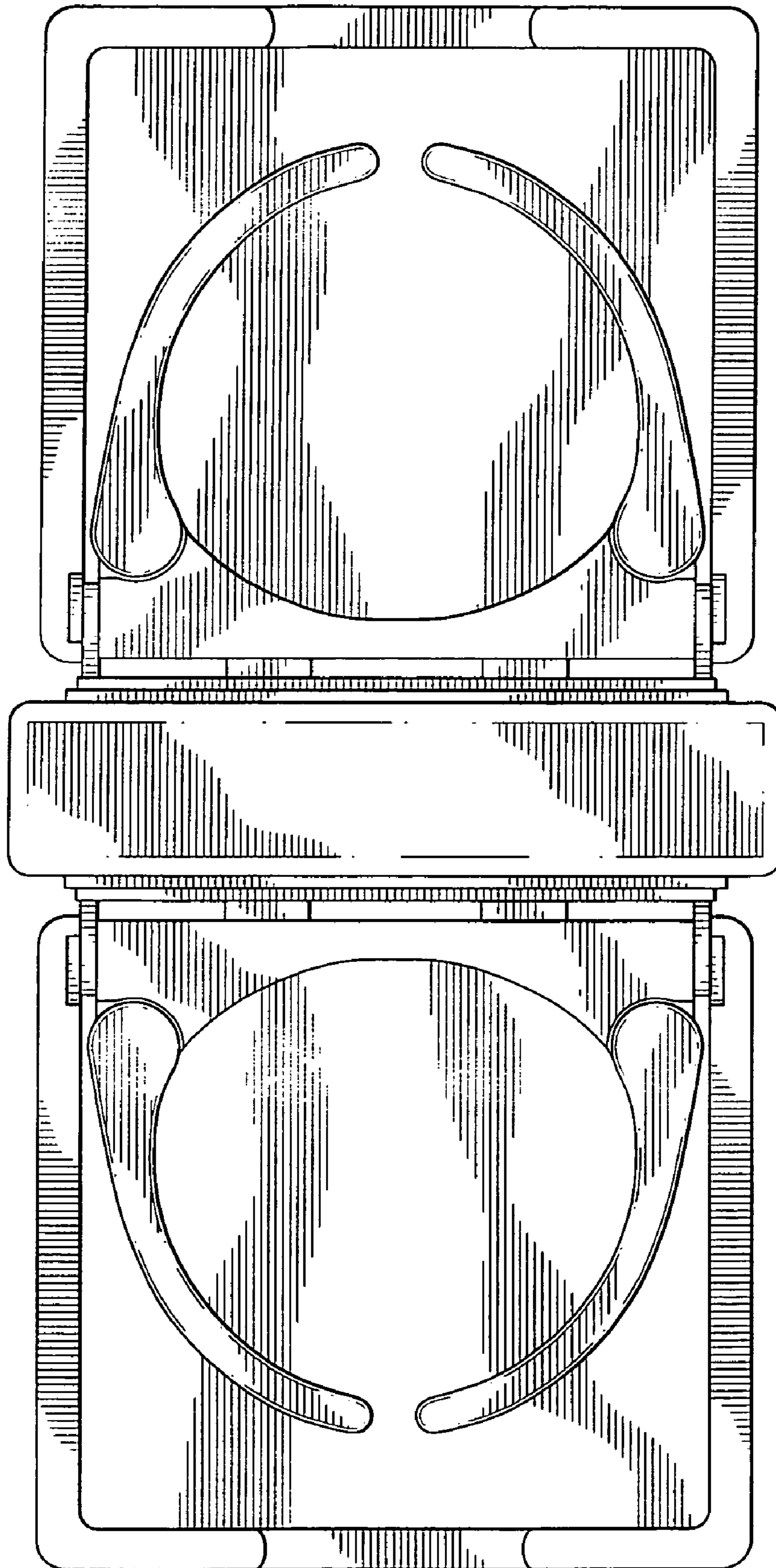


FIG.4

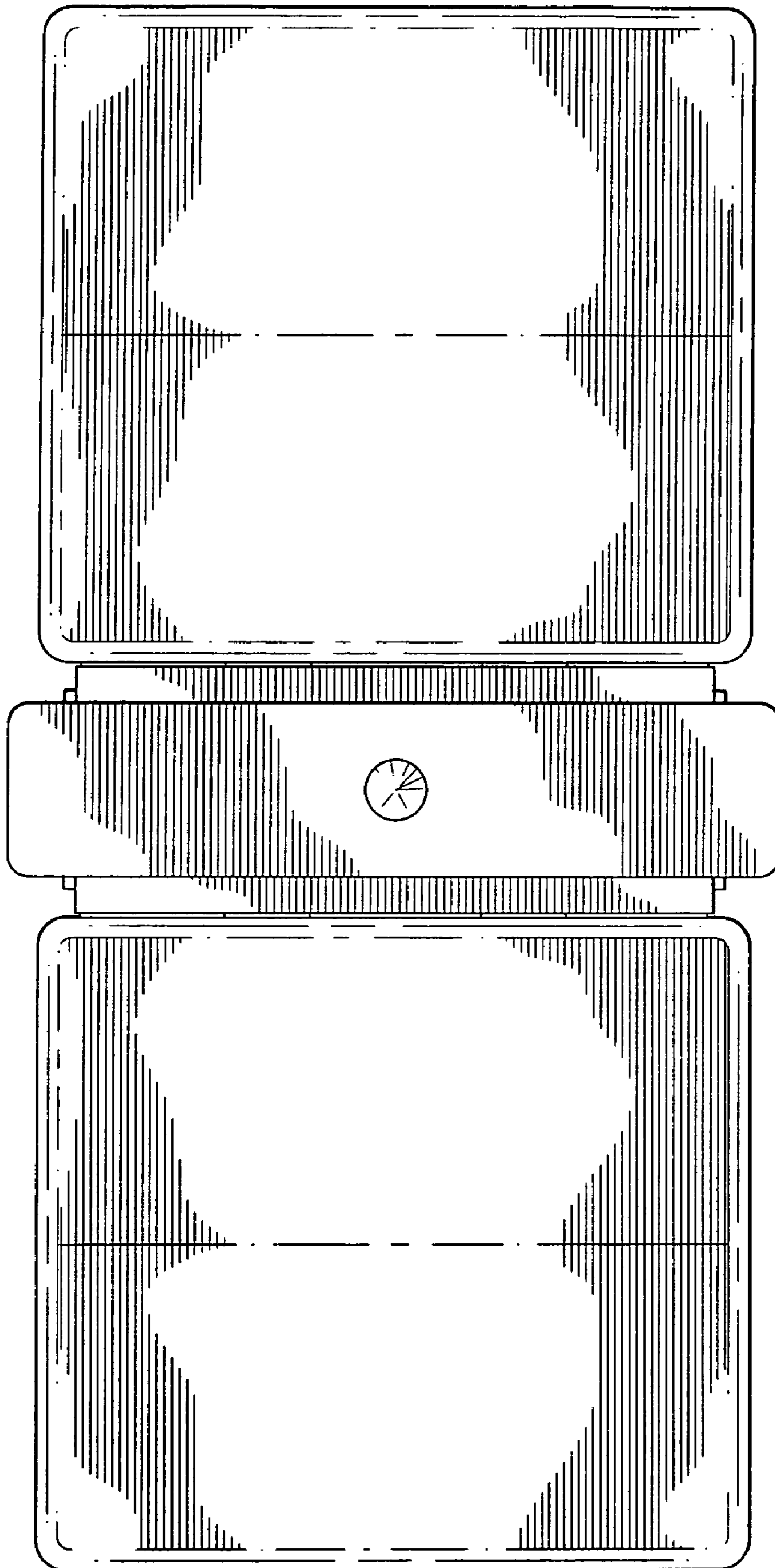


FIG. 5

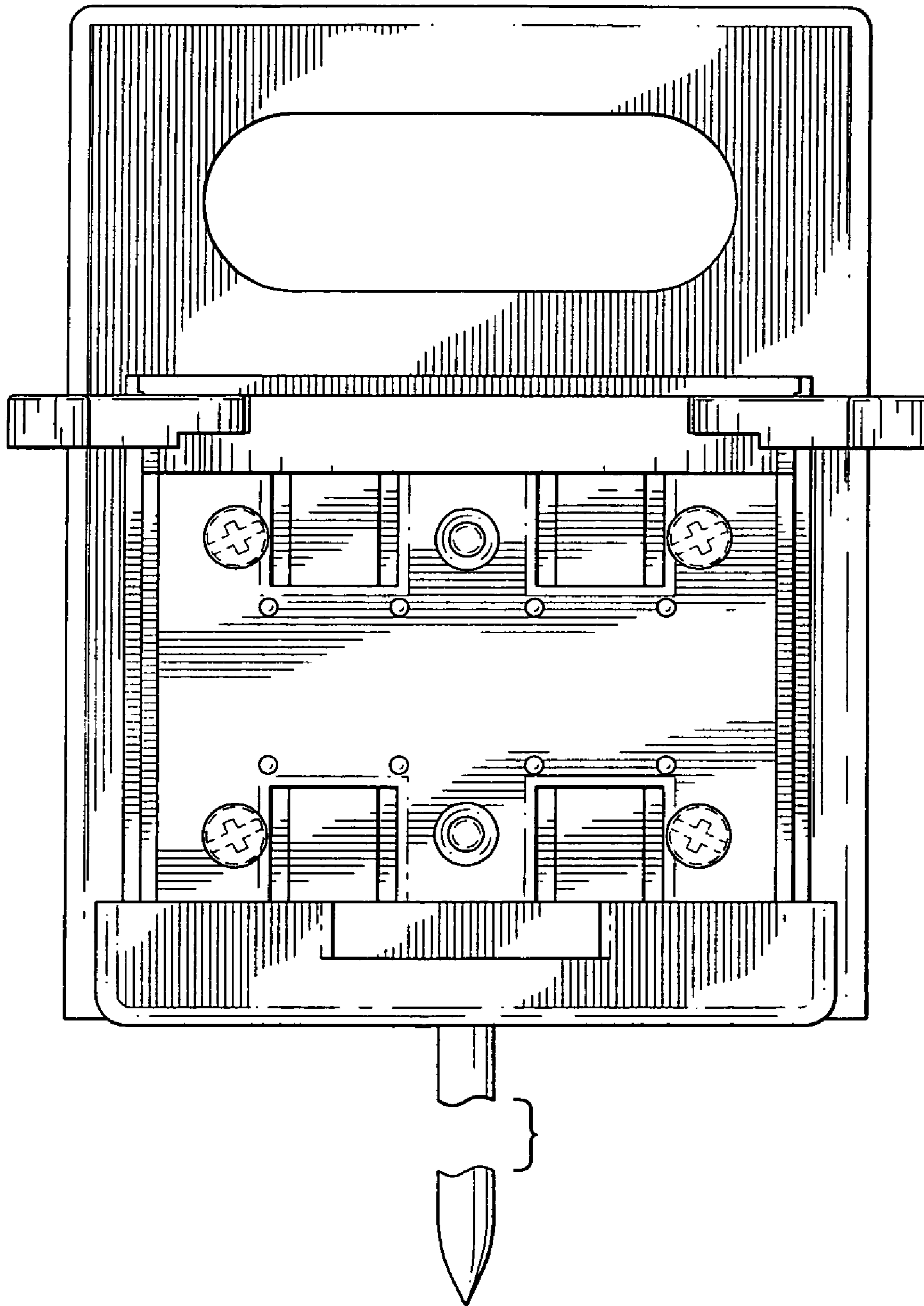


FIG. 6

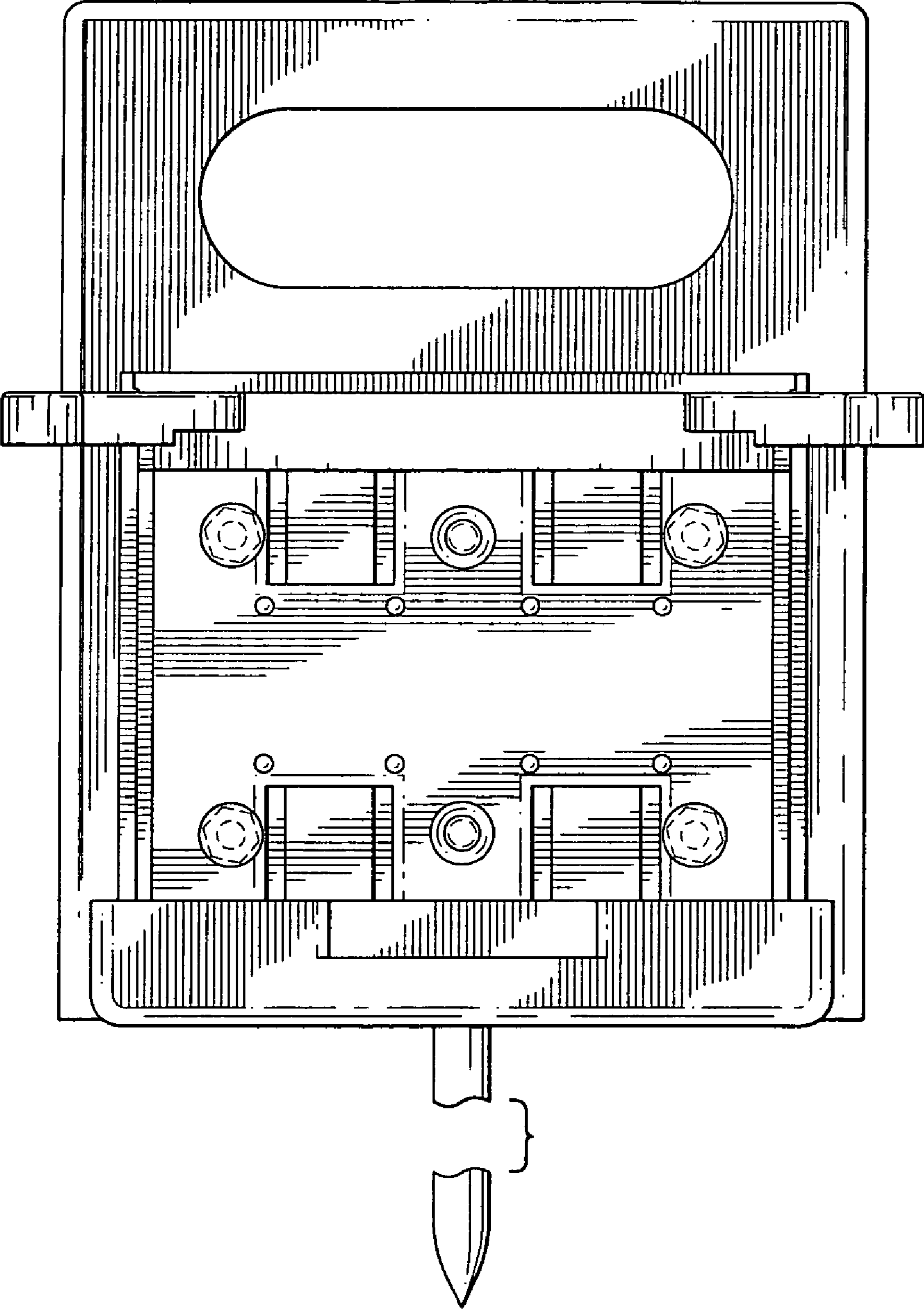


FIG. 7

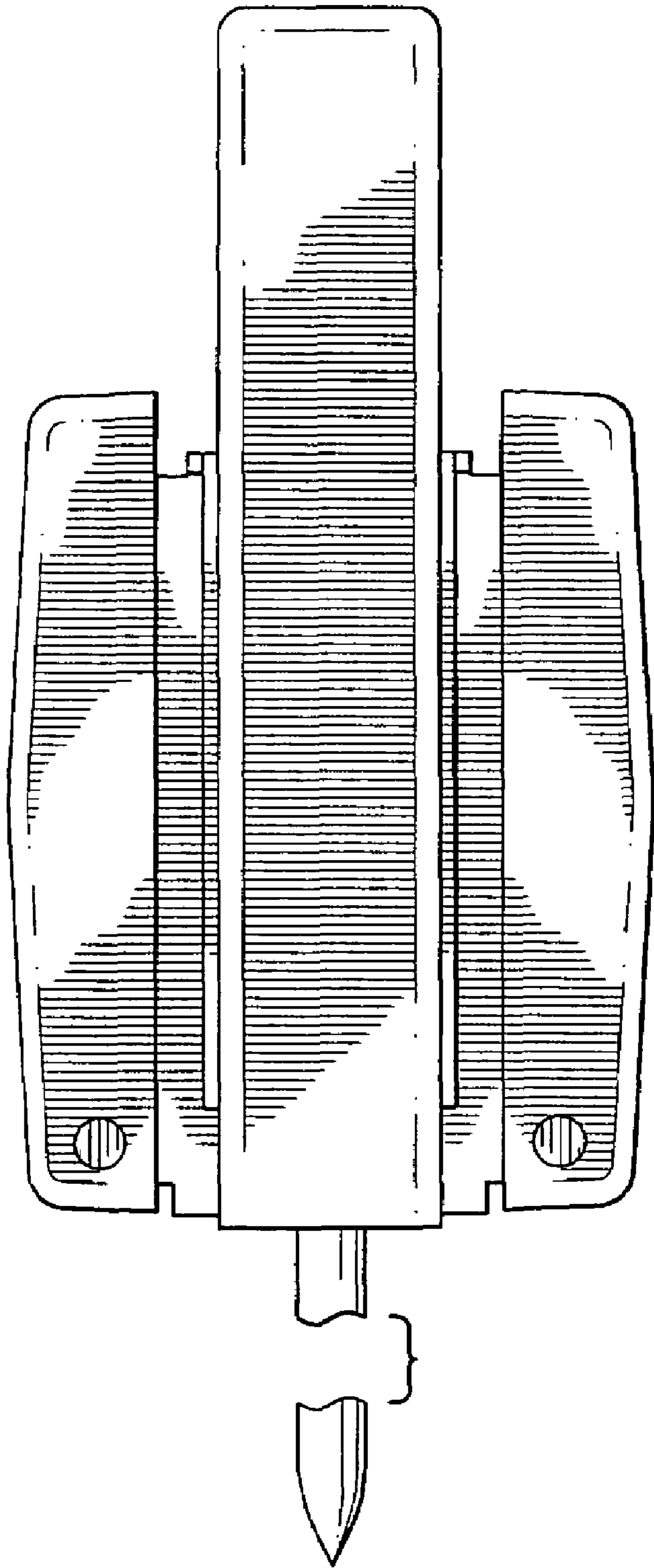


FIG. 8