



US00D617149S

(12) **United States Design Patent**
Olivari

(10) **Patent No.:** **US D617,149 S**
(45) **Date of Patent:** **** Jun. 8, 2010**

(54) **CONTAINER FOR FOOD**

(75) Inventor: **Christian Olivari**, Redondo Beach, CA
(US)

(73) Assignee: **Dart Industries Inc.**, Orlando, FL (US)

(**) Term: **14 Years**

(21) Appl. No.: **29/316,547**

(22) Filed: **Oct. 7, 2009**

(51) **LOC (9) Cl.** **07-01**

(52) **U.S. Cl.** **D7/538; D7/629**

(58) **Field of Classification Search** D7/538,
D7/541, 566, 554.3, 553.1, 553.5, 586, 500,
D7/601, 602, 629, 667, 391; D9/425, 429,
D9/432; 220/676, 575, 214, 788; 229/406;
D3/302

See application file for complete search history.

(56) **References Cited**

U.S. PATENT DOCUMENTS

D241,703 S	10/1976	Ashton	
D279,251 S	6/1985	Daenen et al.	
4,625,885 A *	12/1986	Nichols	220/214
D367,211 S	2/1996	Cautereels	
D369,282 S *	4/1996	Arduini	D7/629
D372,401 S	8/1996	Lillelund et al.	
5,579,961 A	12/1996	Zimmerman	
5,641,065 A	6/1997	Owens et al.	
5,887,745 A	3/1999	Wood	
D411,446 S	6/1999	Cautereels	
D418,749 S	1/2000	Chang	
D452,374 S *	12/2001	Kim	D3/302
D455,321 S *	4/2002	Jung et al.	D7/629
D458,127 S	6/2002	de Groot	
6,415,947 B1	7/2002	Kim	

D481,910 S *	11/2003	Kim	D7/629
D483,622 S *	12/2003	Kim	D7/629
D489,530 S *	5/2004	Lindsay	D3/302
D493,073 S *	7/2004	Kim	D7/629
6,793,096 B1 *	9/2004	Seok	220/788
D500,227 S *	12/2004	Seok	D7/392.1
D501,721 S	2/2005	Zimmerman	
D517,311 S *	3/2006	Kim	D3/218
7,090,089 B2	8/2006	Lown et al.	
D544,762 S *	6/2007	Zimmerman	D7/629
D562,083 S *	2/2008	Lown et al.	D7/629
D593,324 S *	6/2009	Simas	D3/302
2005/0045628 A1	3/2005	Chan	
2009/0236019 A1 *	9/2009	Maruzzo	150/154

* cited by examiner

Primary Examiner—Robert M Spear

Assistant Examiner—Cynthia Underwood

(74) *Attorney, Agent, or Firm*—John A. Doninger

(57) **CLAIM**

The ornamental design for a container for food, as shown and described.

DESCRIPTION

FIG. 1 is a top, rear and left side perspective view of a container for food showing my new design;

FIG. 2 is a bottom, front, and left side perspective view thereof;

FIG. 3 is a front elevation view thereof;

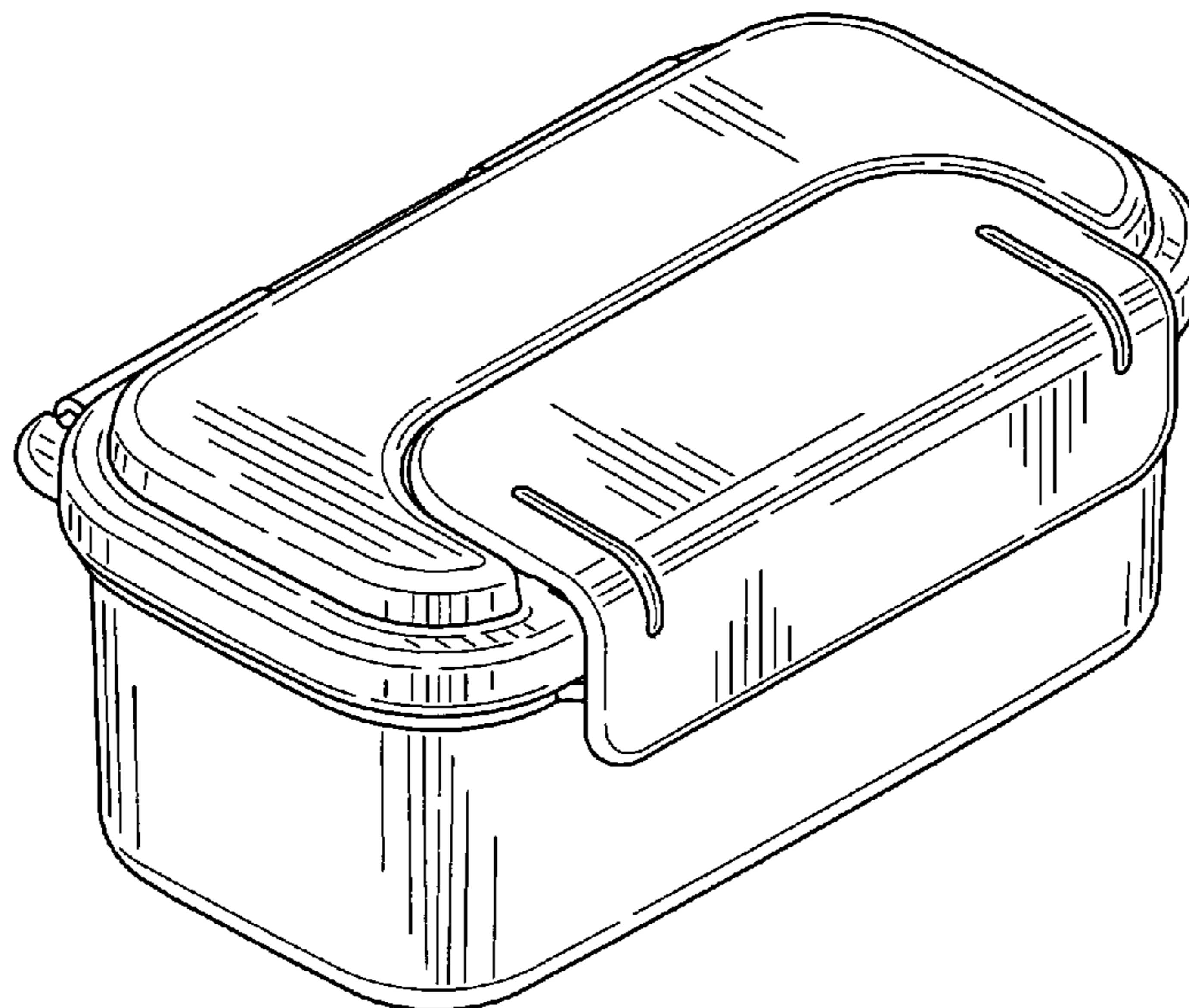
FIG. 4 is a rear elevation view thereof;

FIG. 5 is a left side elevation view, the right side being a mirror image thereof;

FIG. 6 is a top plan view thereof; and,

FIG. 7 is a bottom plan view thereof.

1 Claim, 3 Drawing Sheets



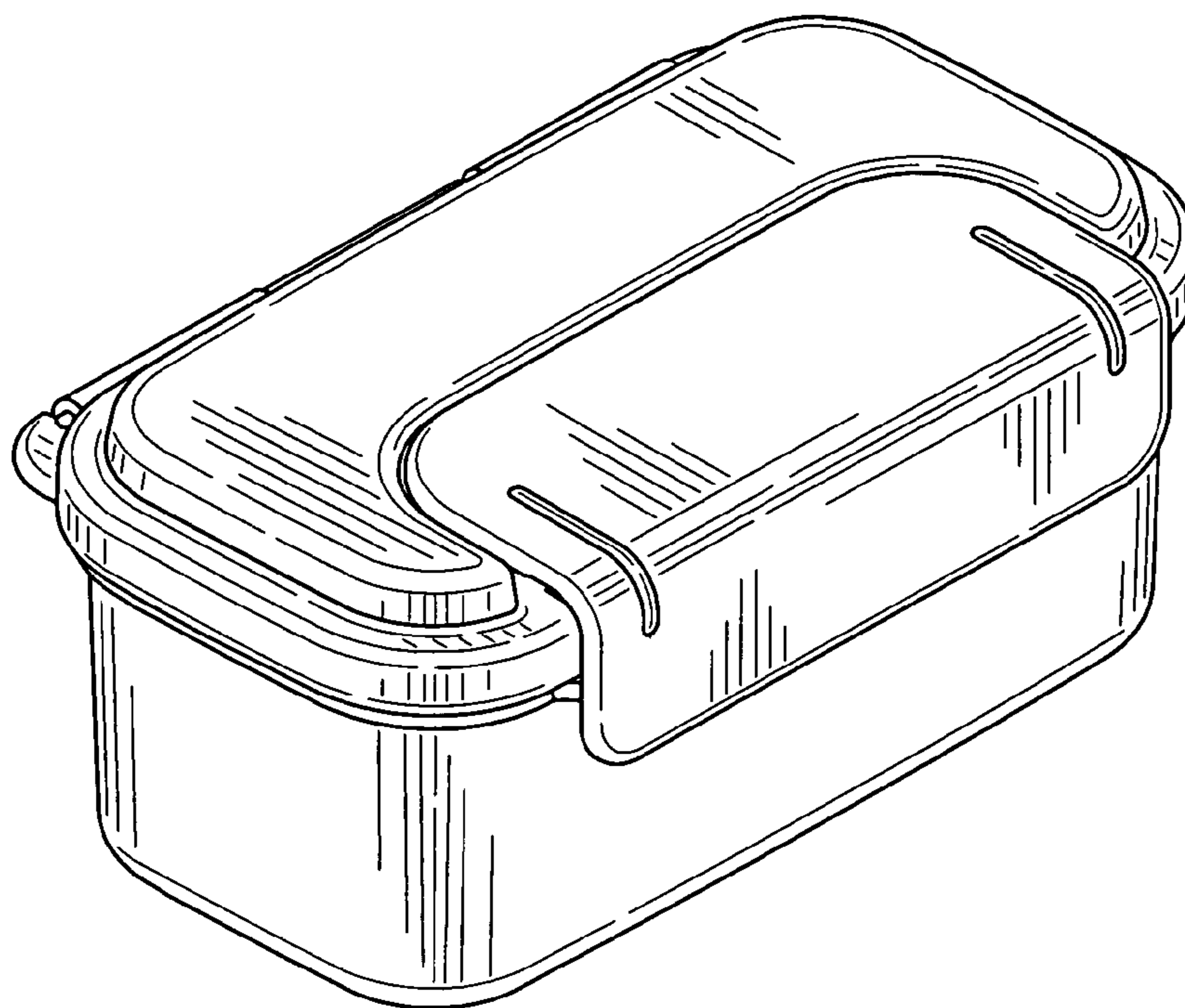


FIG. 1

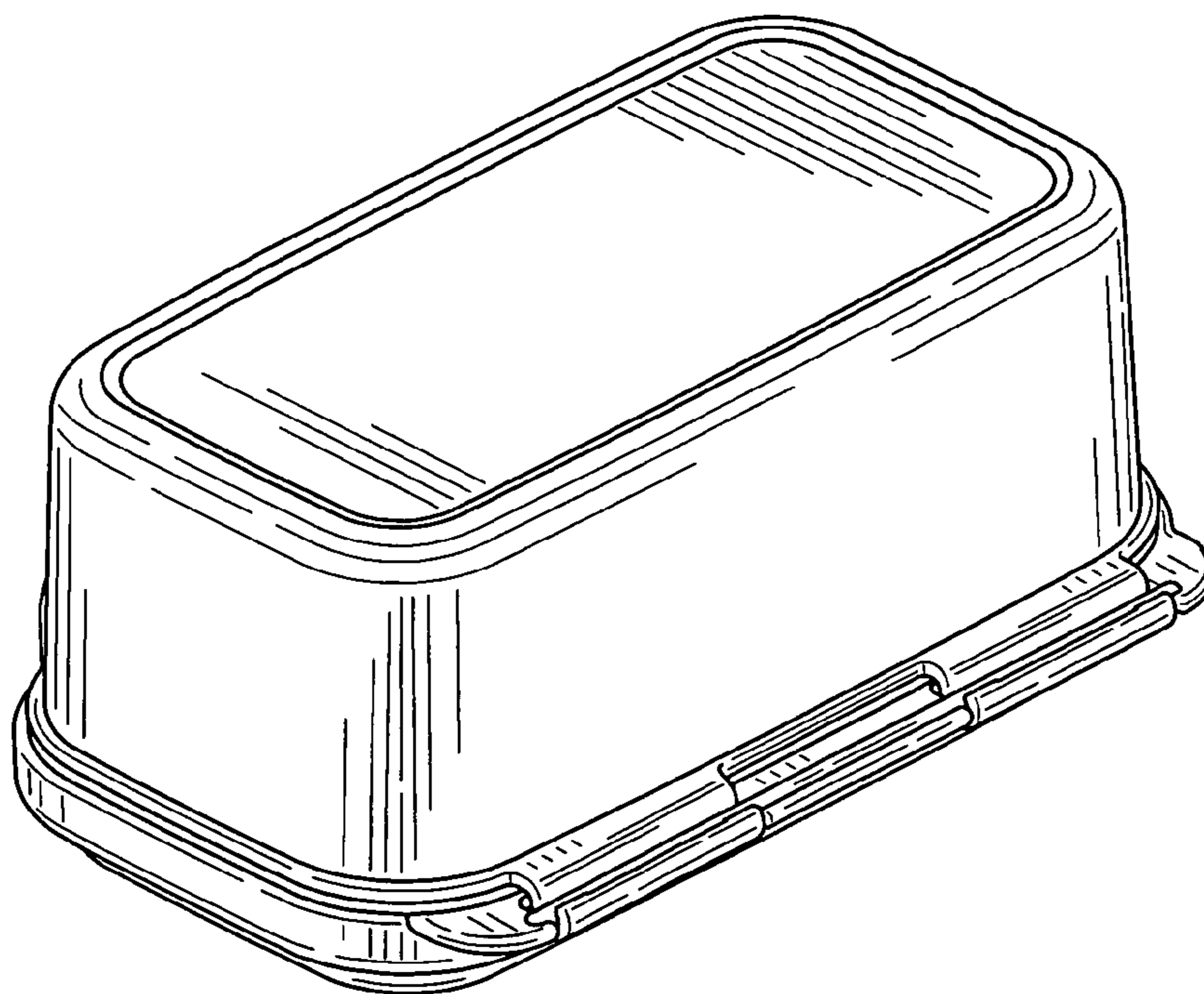


FIG. 2

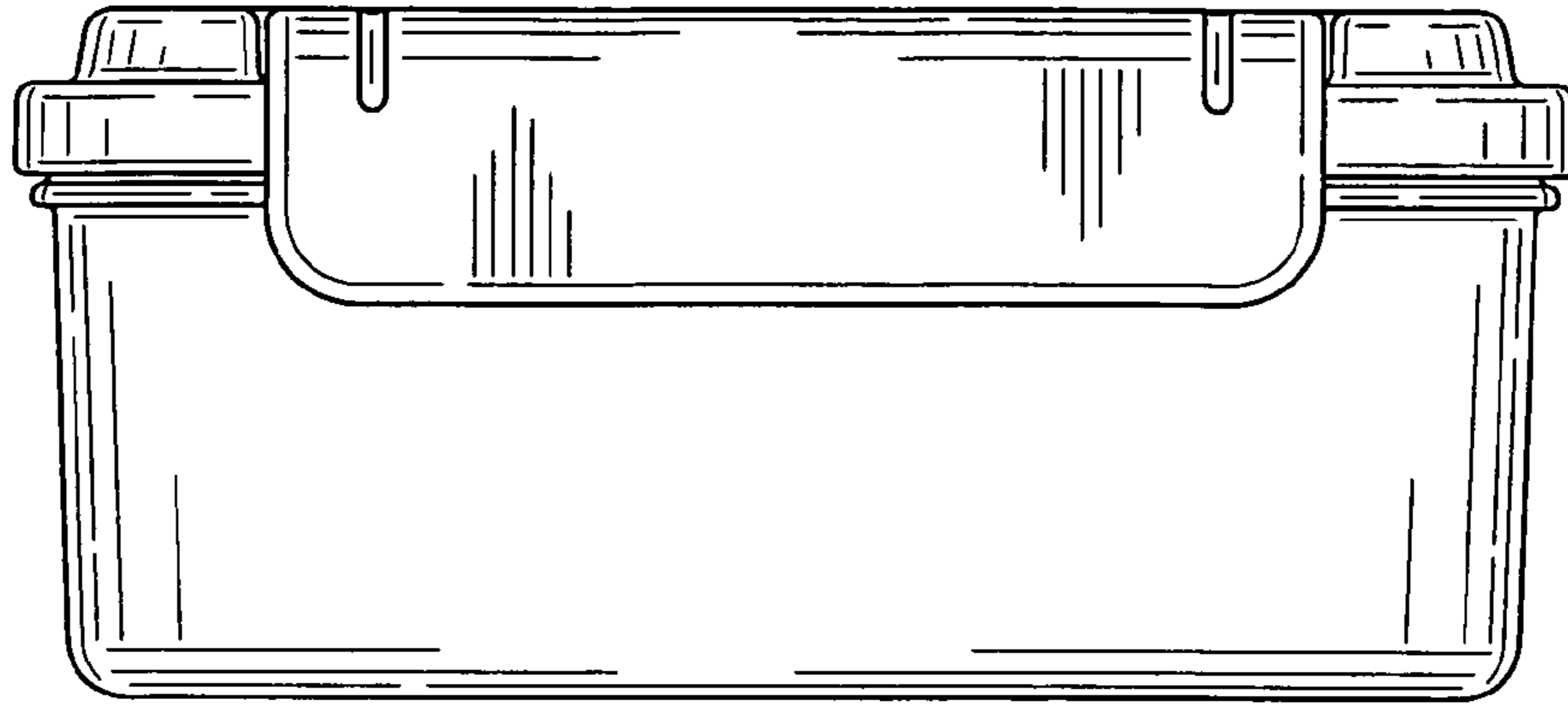


FIG. 3

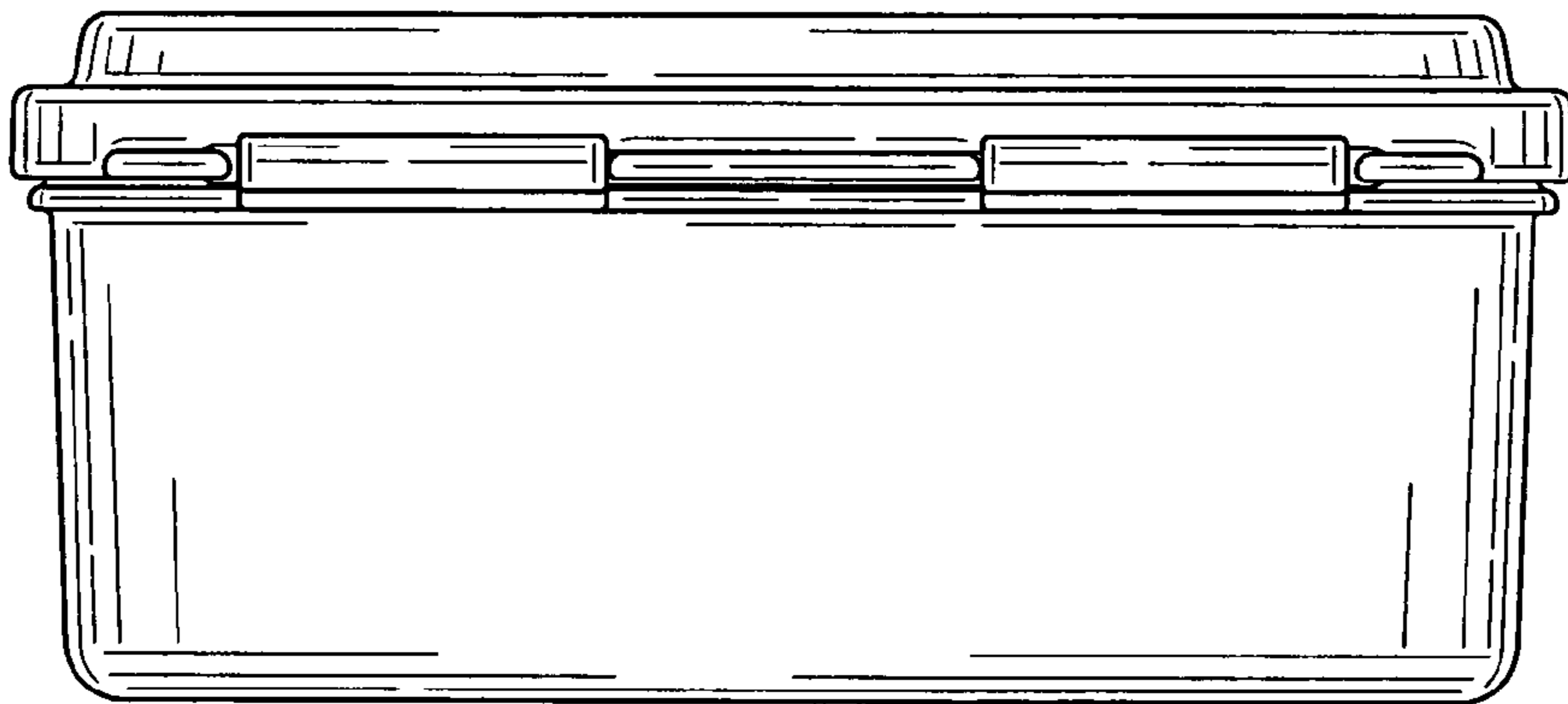


FIG. 4

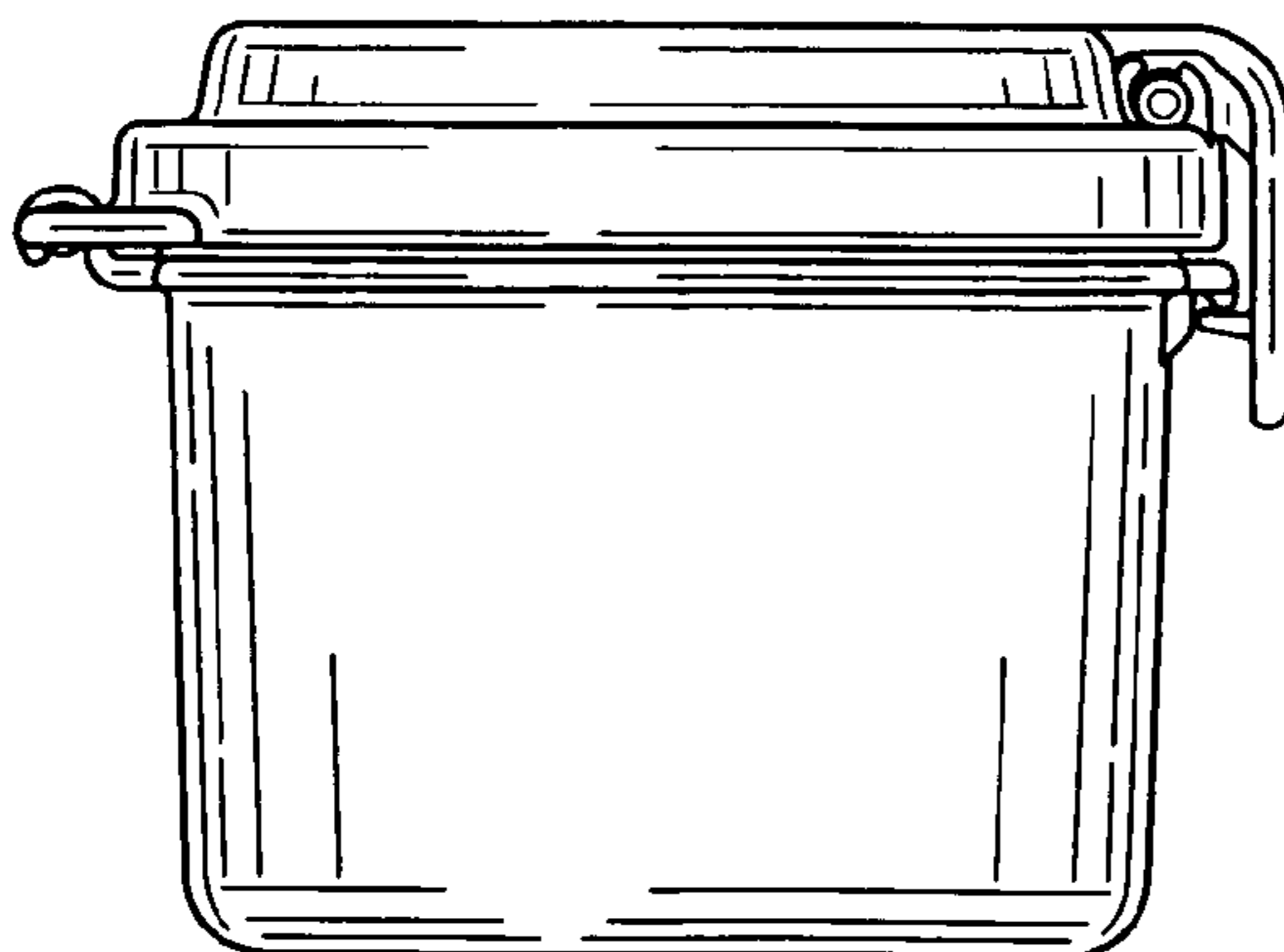


FIG. 5

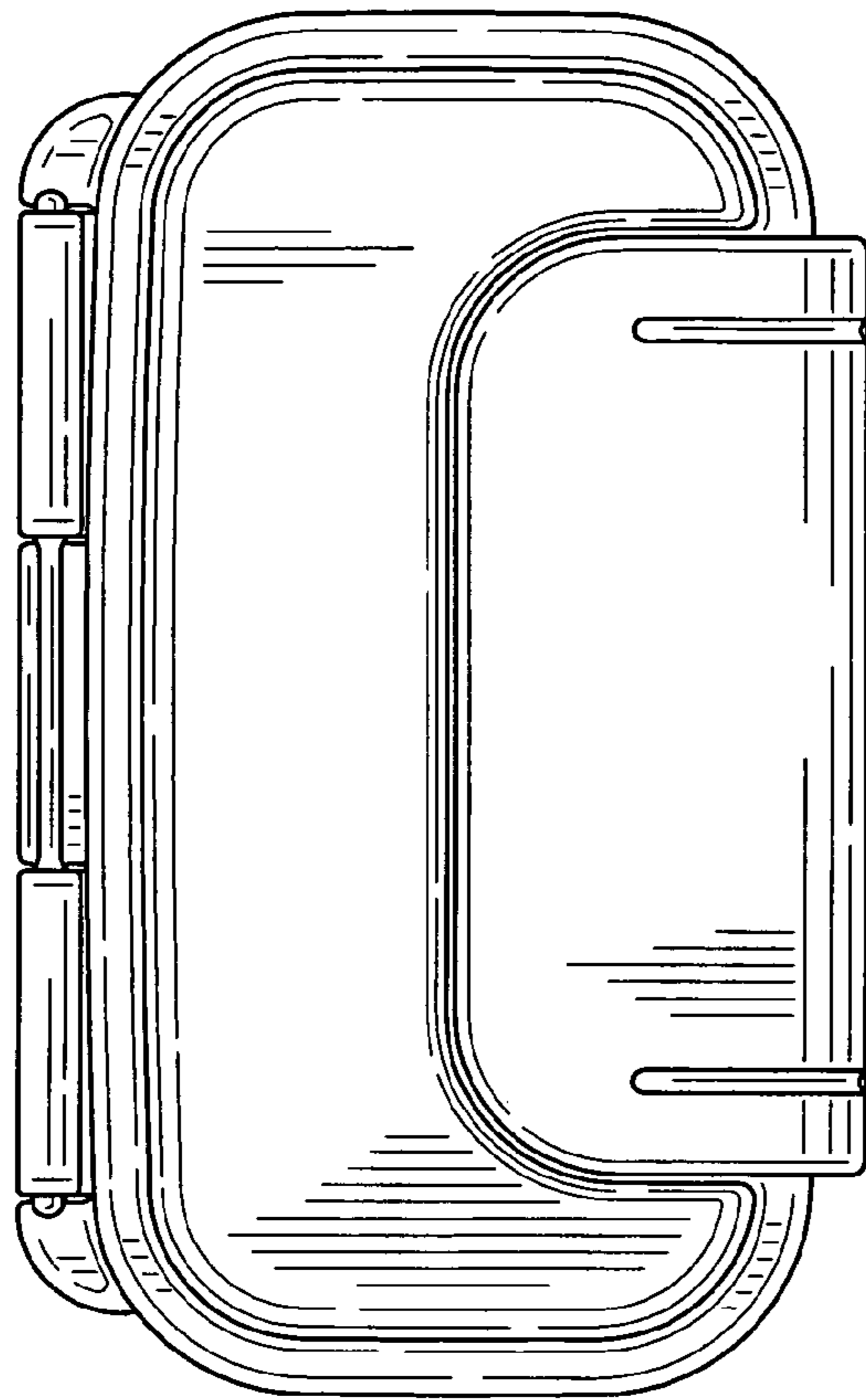


FIG. 6

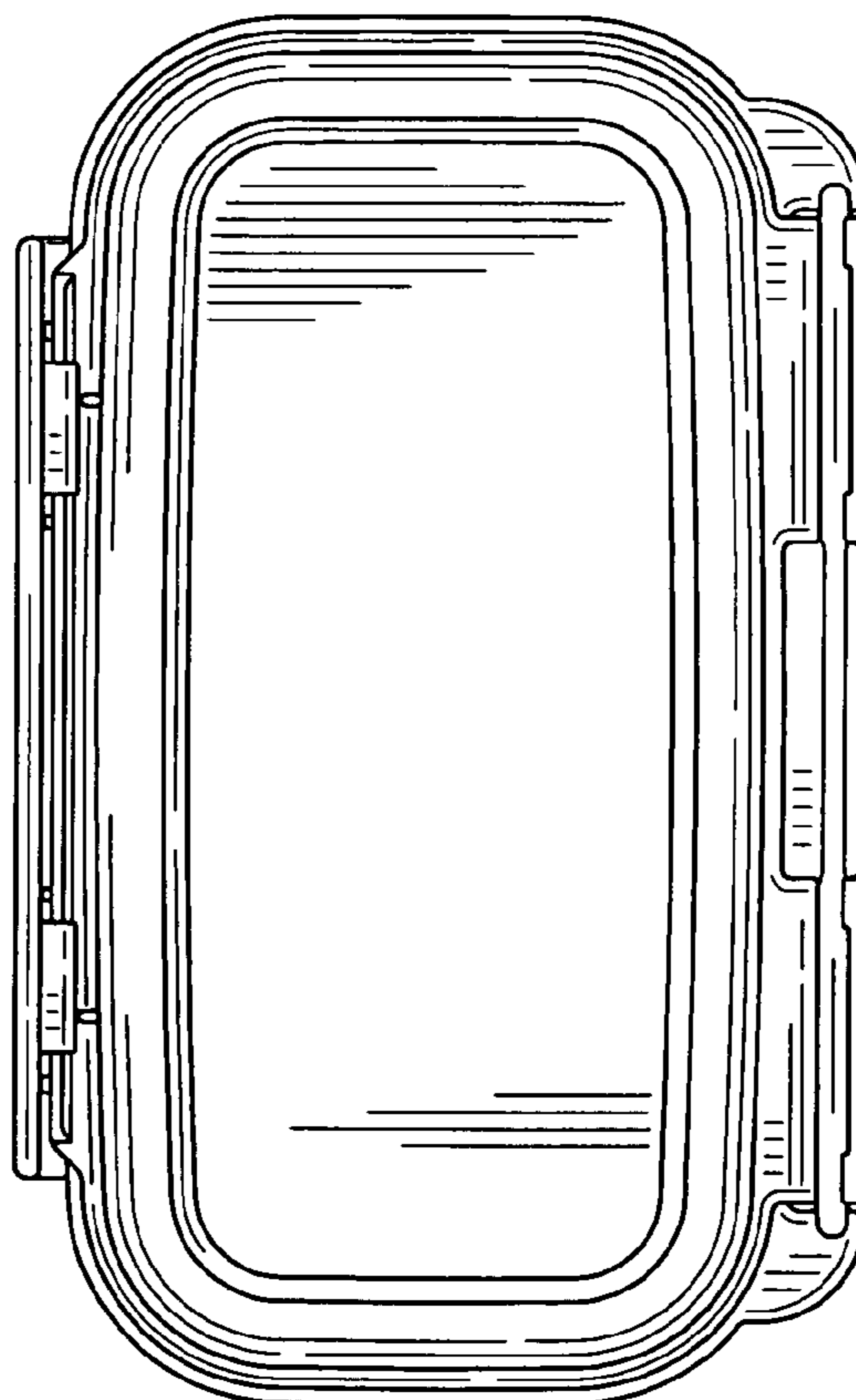


FIG. 7