



US00D617146S

(12) **United States Design Patent**
Harrison

(10) **Patent No.:** **US D617,146 S**
(45) **Date of Patent:** **** *Jun. 8, 2010**

(54) **STORAGE DEVICE FOR BOXED AND BOTTLED GOODS**

(76) Inventor: **Terrance Harrison**, 310 Christy Rd., Eighty-Four, PA (US) 15330

(*) Notice: This patent is subject to a terminal disclaimer.

(**) Term: **14 Years**

(21) Appl. No.: **29/329,336**

(22) Filed: **Dec. 12, 2008**

(51) **LOC (9) Cl.** **07-01**

(52) **U.S. Cl.** **D7/501**

(58) **Field of Classification Search** D7/553.4, D7/553.6, 554.2, 555, 558, 554.1, 590, 600, D7/501, 701, 640; D9/737, 430; D19/65, D19/95, 85, 77, 75, 100; 211/60.1, 78; 40/107; 220/574, 575; 206/562, 558, 564; D24/226, D24/224, 227; D6/449, 457, 460
See application file for complete search history.

(56) **References Cited**

U.S. PATENT DOCUMENTS

578,589	A *	3/1897	Vernon	40/358
1,878,302	A	9/1932	Tourtois	
2,281,849	A	5/1942	McCoppin	
2,553,880	A	5/1951	Stigler	
2,719,413	A *	10/1955	Panzer	220/575
2,723,763	A	11/1955	Baldwin	
3,097,070	A *	7/1963	Aldrich et al.	422/102
3,165,450	A *	1/1965	Scheidt	435/305.3
3,848,943	A	11/1974	Geesaman et al.	
D258,761	S *	3/1981	Graham	D24/226
4,453,326	A	6/1984	Hoffman et al.	
D278,931	S *	5/1985	Larsson et al.	D24/224
D279,950	S	8/1985	Wan	
D285,157	S *	8/1986	Wan	D7/501
4,697,856	A	10/1987	Abraham	
D294,520	S *	3/1988	Holewinski et al.	D24/226
4,753,340	A	6/1988	Blakeman et al.	
4,775,055	A	10/1988	Morse	

D304,658	S *	11/1989	Mattei	D7/505
4,881,651	A	11/1989	Mimoun et al.	
4,915,239	A	4/1990	Persch	
D310,940	S	10/1990	Kastanek	
4,989,419	A *	2/1991	Brando et al.	62/457.2
D340,071	S *	10/1993	Sun	D19/77
5,361,915	A	11/1994	Cohen et al.	
5,377,850	A	1/1995	Liaw	
5,441,164	A *	8/1995	Beck et al.	220/575
D367,408	S	2/1996	Fordyce	
5,524,775	A	6/1996	Kaine	
D377,807	S *	2/1997	Green et al.	D19/77

(Continued)

Primary Examiner—Robert M Spear
Assistant Examiner—Cynthia Underwood
(74) *Attorney, Agent, or Firm*—The Webb Law Firm

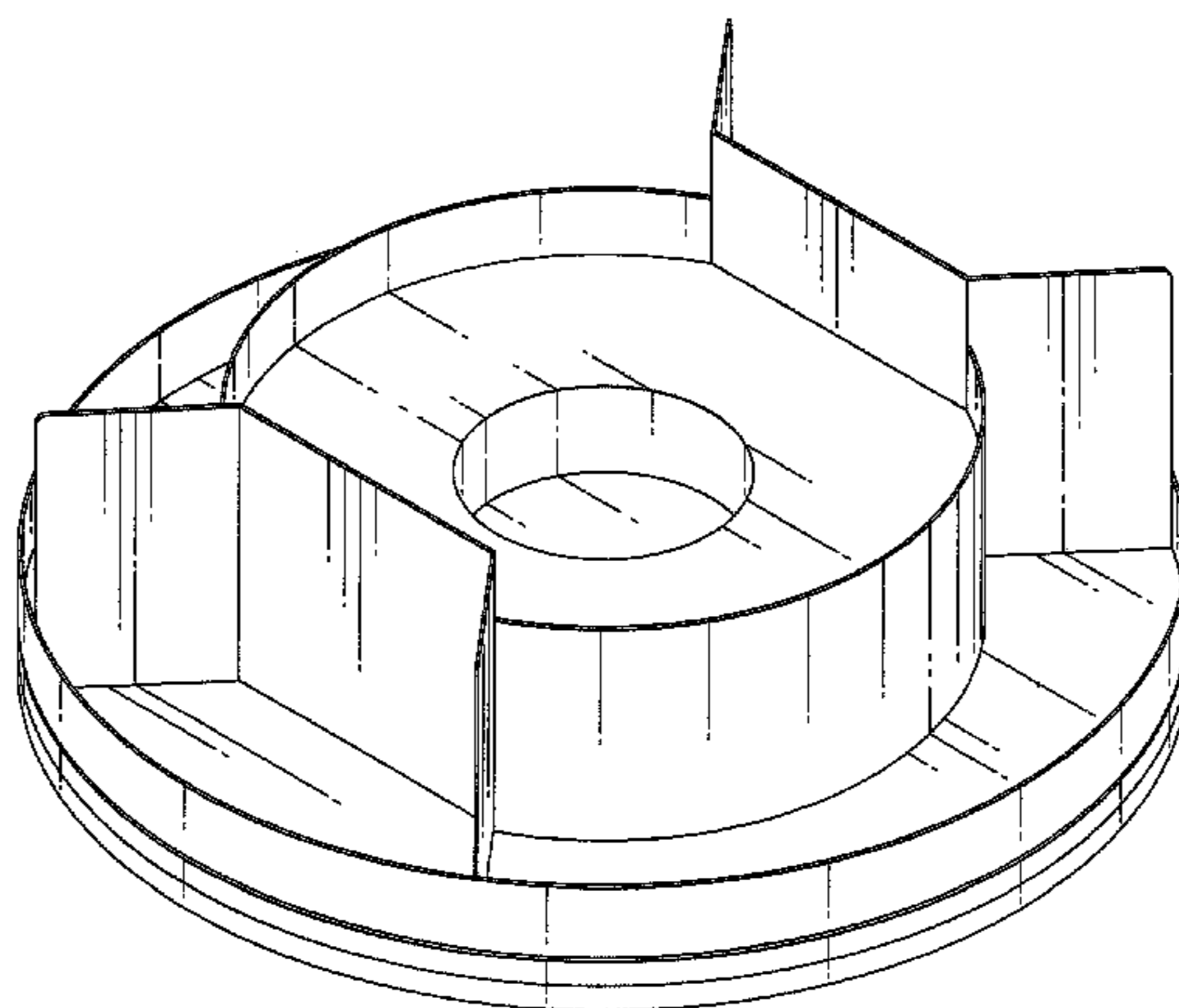
(57) **CLAIM**

The ornamental design for a storage device for boxed and bottled goods, as shown and described.

DESCRIPTION

FIG. 1 is a perspective view of a storage device for boxed and bottled goods;
FIG. 2 is a front view of the storage device;
FIG. 3 is a side view of the storage device;
FIG. 4 is a top view of the storage device; and,
FIG. 5 is a bottom view of the storage device.
The broken lines in FIG. 5 depict portions of the storage device that form no part of the claimed design.

1 Claim, 4 Drawing Sheets



US D617,146 S

Page 2

U.S. PATENT DOCUMENTS

D407,753	S *	4/1999	Kwok	D19/77	6,588,609	B1	7/2003	Richet et al.	
5,941,252	A	8/1999	Jenkins et al.		D486,991	S *	2/2004	Lee	D7/357
5,960,982	A *	10/1999	Perlis et al.	220/574	D490,848	S	6/2004	Pope et al.	
D418,947	S	1/2000	Greiner		6,742,674	B2	6/2004	Castleberry	
6,029,028	A	2/2000	Inoue		D495,206	S *	8/2004	Boks	D7/501
D432,577	S *	10/2000	Yeh	D19/77	6,796,443	B2	9/2004	Lippman et al.	
D432,916	S *	10/2000	Drinkwater et al.	D9/447	D510,388	S	10/2005	Siegel	
6,182,839	B1	2/2001	Robbins et al.		D523,185	S *	6/2006	Oliphant	D30/130
6,189,711	B1	2/2001	Chang		7,156,226	B1	1/2007	Van Sickle	
6,220,443	B1	4/2001	Damaskos		D566,770	S *	4/2008	Cetera	D19/77
D444,676	S *	7/2001	Murphy	D7/553.6	D581,699	S *	12/2008	Harrison	D6/449
D444,999	S	7/2001	Govrik et al.		D587,529	S *	3/2009	Pratt	D7/555
6,364,125	B1	4/2002	D'Angelo		7,635,066	B2 *	12/2009	Harrison	220/503
6,439,406	B1	8/2002	Duhon		2003/0121873	A1	7/2003	Lippman et al.	
6,550,630	B1 *	4/2003	Krupa	220/575	2003/0196970	A1	10/2003	Jiang	
6,585,119	B2	7/2003	Palder		2003/0222042	A1	12/2003	Richet et al.	

* cited by examiner

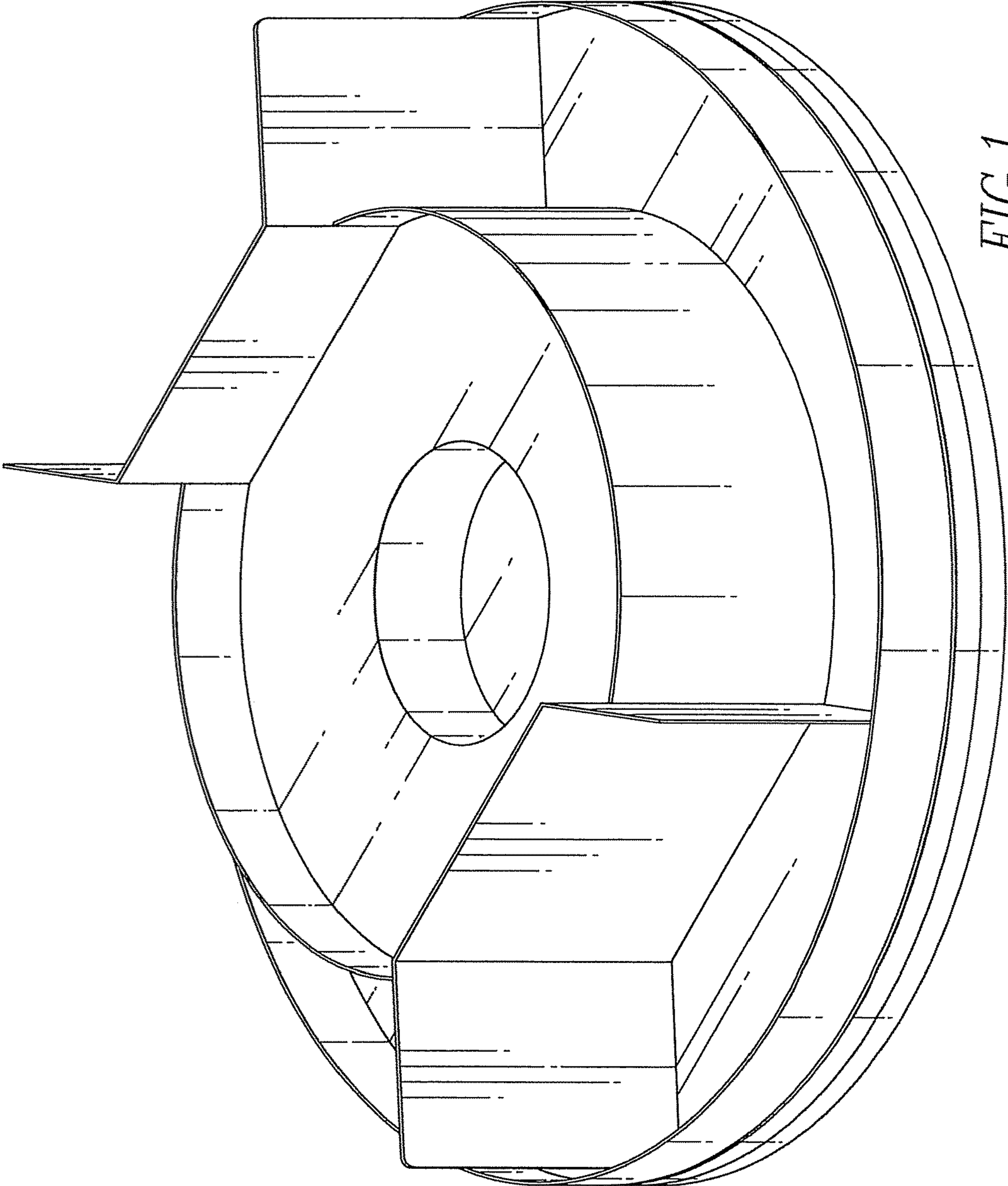


FIG. 1

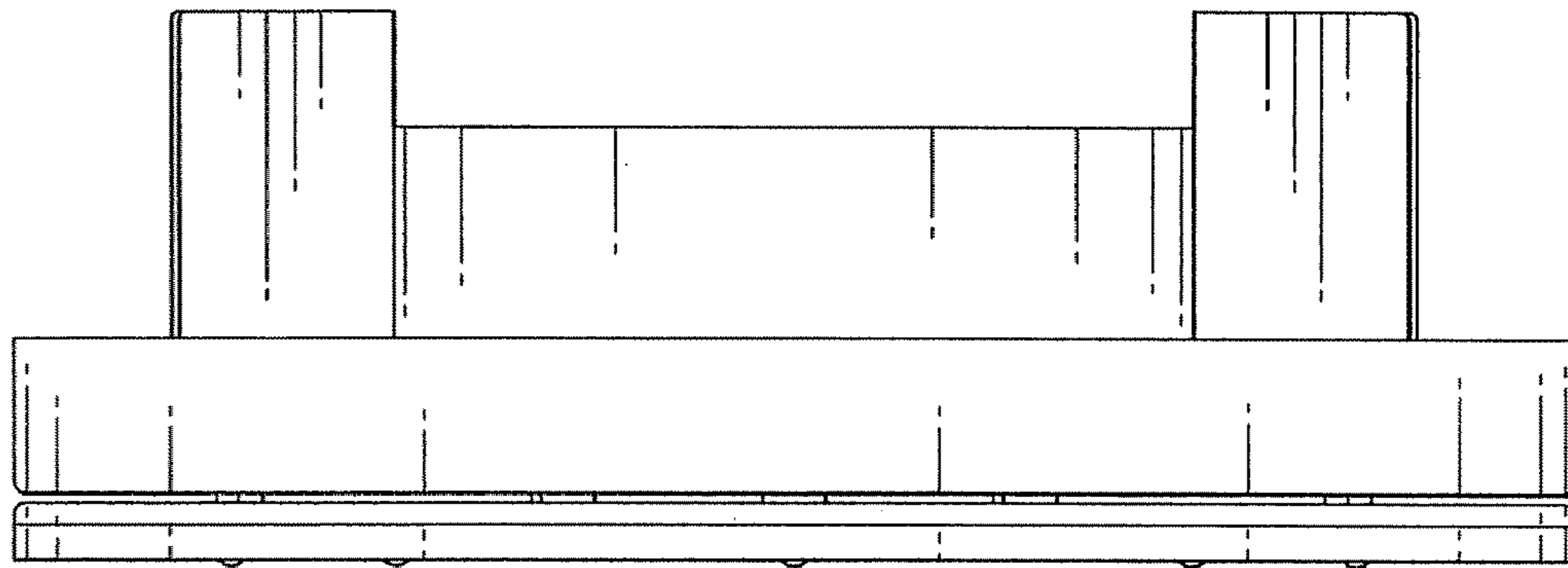


FIG. 2

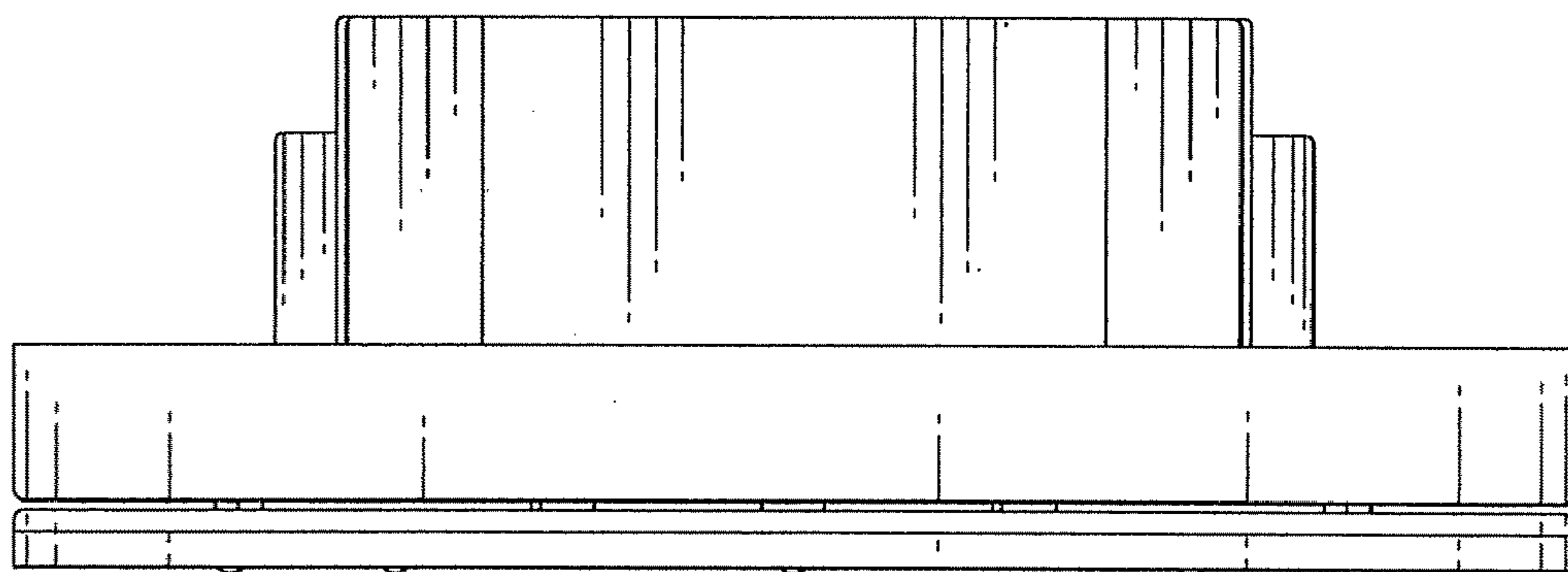


FIG. 3

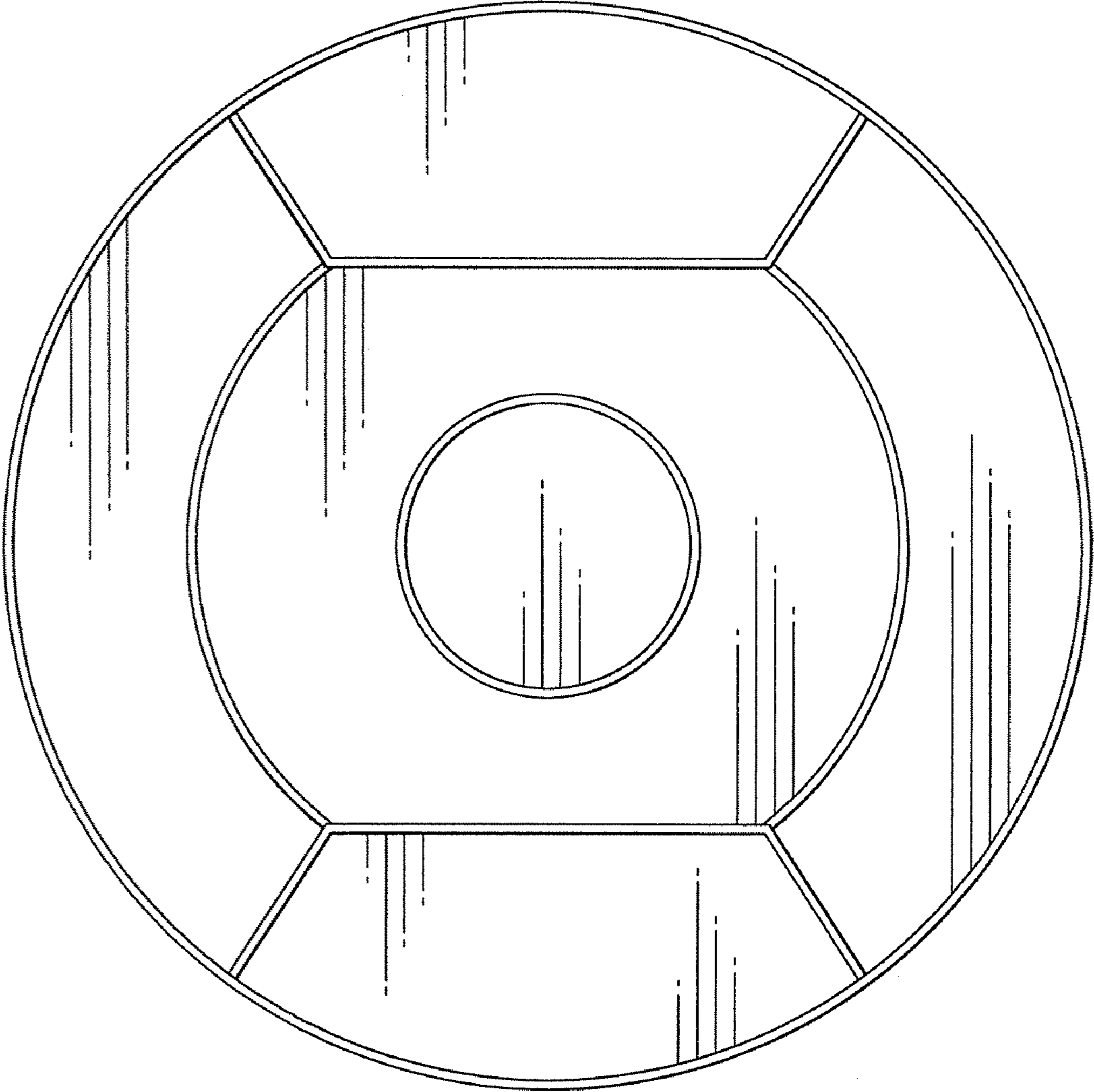


FIG. 4

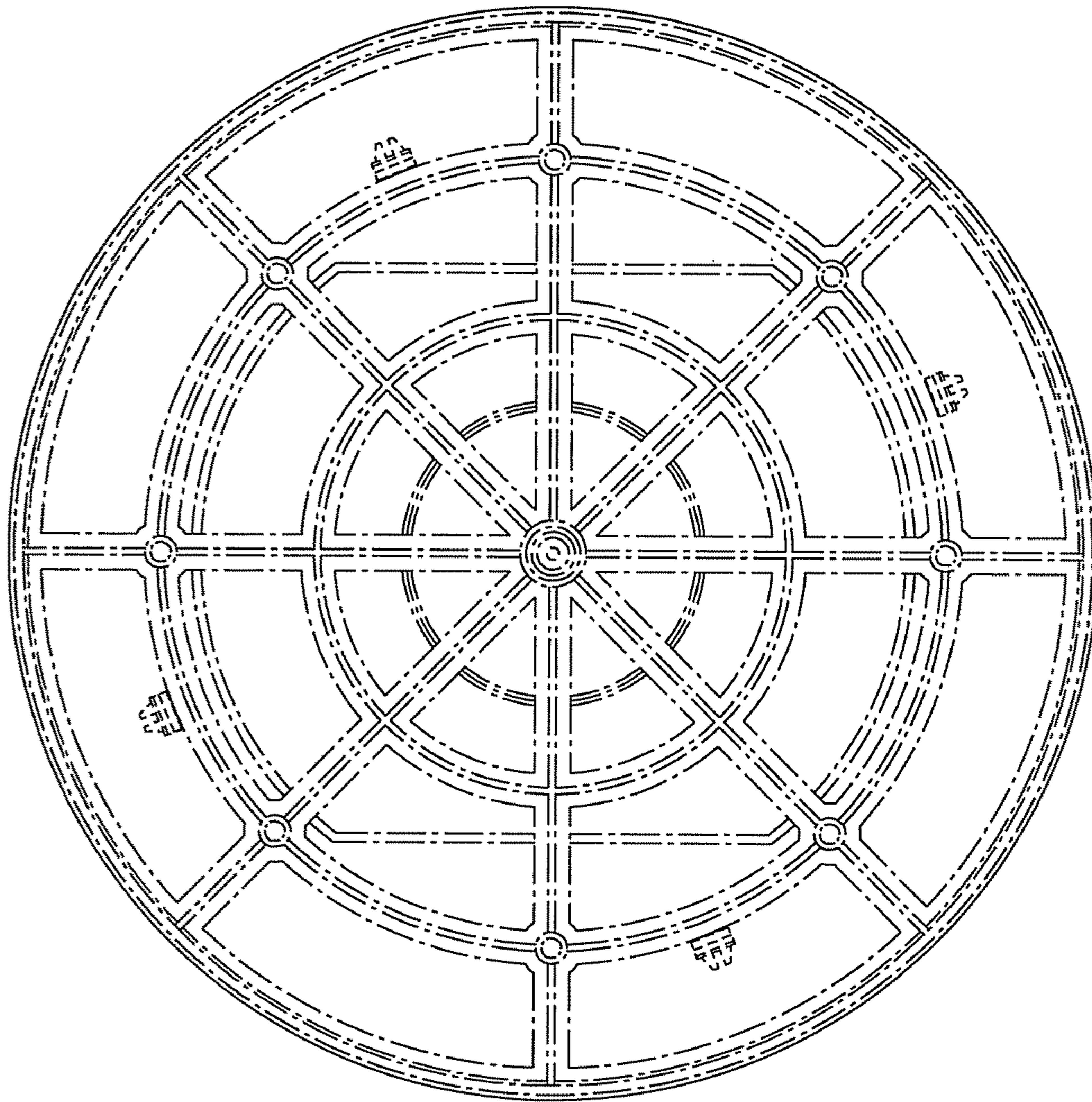


FIG. 5

UNITED STATES PATENT AND TRADEMARK OFFICE
CERTIFICATE OF CORRECTION

PATENT NO. : Des. 617,146 S
APPLICATION NO. : 29/329336
DATED : June 8, 2010
INVENTOR(S) : Harrison

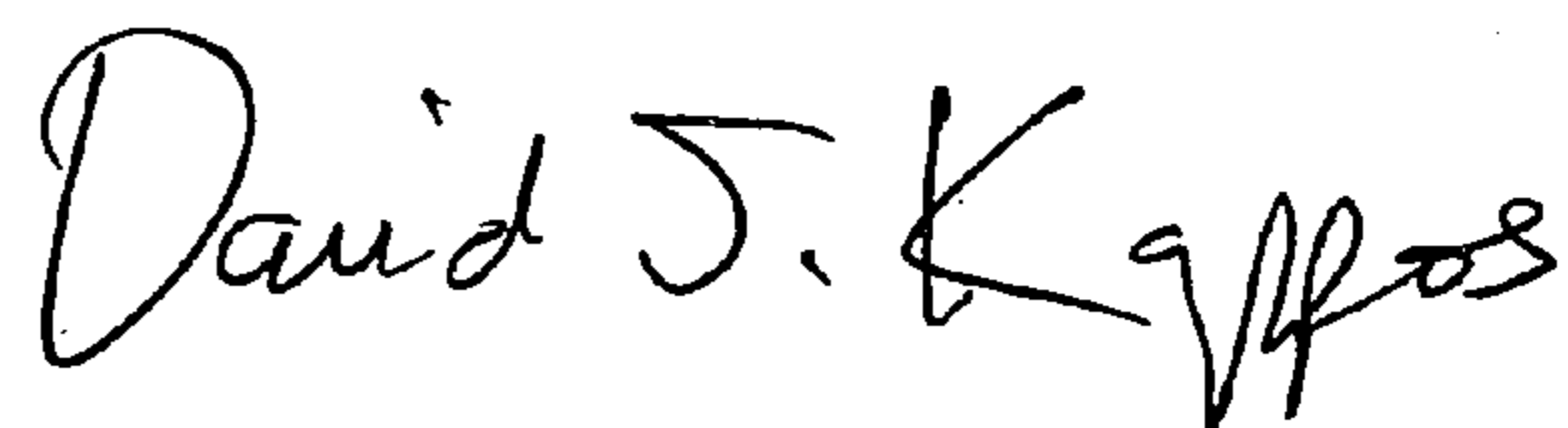
Page 1 of 1

It is certified that error appears in the above-identified patent and that said Letters Patent is hereby corrected as shown below:

Title Page, see Item (76) Inventor: **Terrance Harrison** should read
-- **Terrence Harrison** --

Signed and Sealed this

Twenty-eighth Day of September, 2010

A handwritten signature in black ink that reads "David J. Kappos". The signature is written in a cursive, flowing style.

David J. Kappos
Director of the United States Patent and Trademark Office