



US00D617144S

(12) **United States Design Patent**
O'Connor et al.

(10) **Patent No.:** **US D617,144 S**
(45) **Date of Patent:** **** Jun. 8, 2010**

(54) **GRIP FOR A CONTAINER**

(75) Inventors: **John D. O'Connor**, Griffith, IN (US);
Robert W. Hollis, Homer Glen, IL (US)

(73) Assignee: **Pactiv Corporation**, Lake Forest, IL
(US)

(**) Term: **14 Years**

(21) Appl. No.: **29/341,389**

(22) Filed: **Aug. 4, 2009**

(51) **LOC (9) Cl.** **07-01**

(52) **U.S. Cl.** **D7/396.2; D7/529**

(58) **Field of Classification Search** D7/396.2,
D7/523, 533, 536, 624.1, 509-511, 529, 531,
D7/532, 513, 514, 525, 527, 396.1, 396.4;
D9/520; D20/10, 22, 99; D11/152; 215/387,
215/388, 382; 229/400, 402, 403; 220/703,
220/719

See application file for complete search history.

(56) **References Cited**

U.S. PATENT DOCUMENTS

D71,767 S *	12/1926	Schmidt	D7/525
D77,281 S *	12/1928	Bartlett	D7/529
D104,342 S *	5/1937	Duncan et al.	D7/529
D275,254 S *	8/1984	Durand	D7/529
D276,488 S *	11/1984	Durand	D7/535
D298,397 S *	11/1988	Durand	D7/525
D298,995 S *	12/1988	Durand	D7/525
D305,392 S *	1/1990	Durand	D7/525
5,511,754 A *	4/1996	Johannsen	248/311.2
D509,746 S *	9/2005	Mero et al.	D9/538

D510,025 S *	9/2005	Venkataraman et al.	D9/516
D544,302 S *	6/2007	Gibbons	D7/510
D562,075 S *	2/2008	Mehta	D7/529
D572,977 S *	7/2008	Karam	D7/529
D582,780 S *	12/2008	Bourne	D9/538
D587,523 S *	3/2009	Moon	D7/396.2
D589,804 S *	4/2009	Lovelace et al.	D9/516
D590,209 S *	4/2009	Barducci	D7/525
D591,156 S *	4/2009	George et al.	D9/516
D602,782 S *	10/2009	Lepoitevin	D9/538
D610,902 S *	3/2010	Walker	D9/424
D612,733 S *	3/2010	Eugui et al.	D9/516

* cited by examiner

Primary Examiner—Robert M Spear

Assistant Examiner—Cynthia Underwood

(74) *Attorney, Agent, or Firm*—Baker Botts L.L.P.

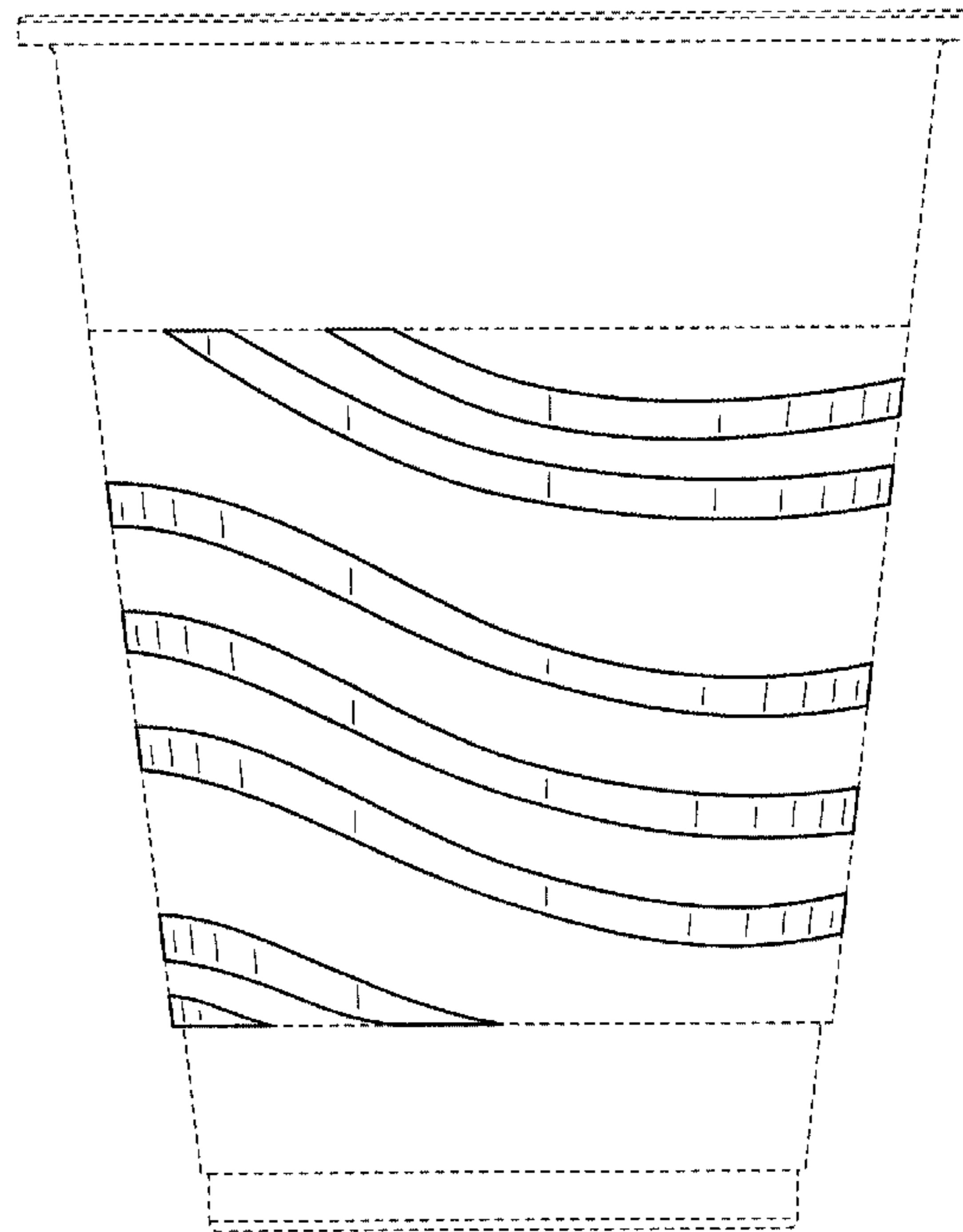
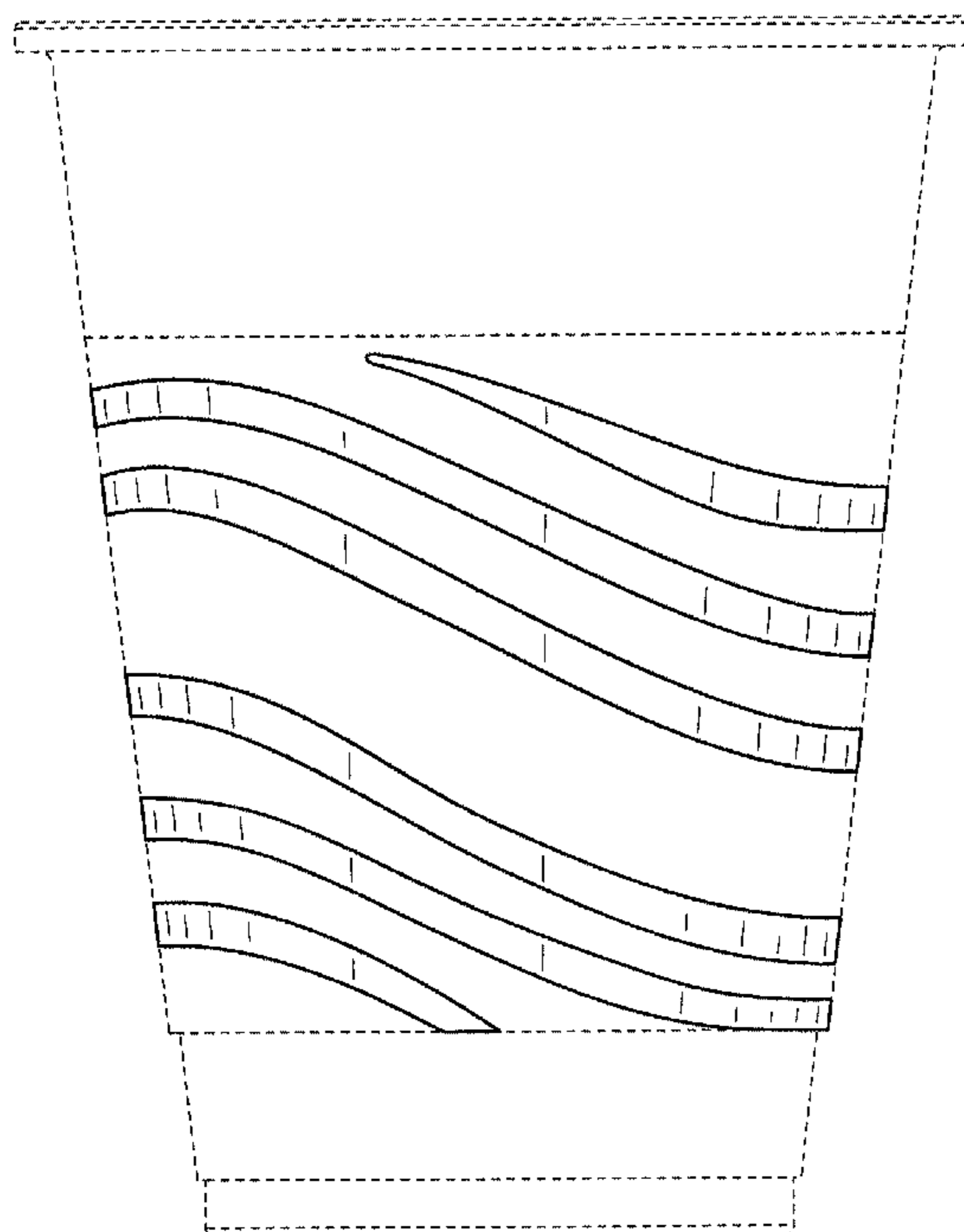
(57) **CLAIM**

The ornamental design for a grip for a container, as shown and described.

DESCRIPTION

FIG. 1 is a front view of a container with grip;
FIG. 2 is a rear view of the container with grip of FIG. 1;
FIG. 3 is a right side view of the container with grip of FIG. 1;
FIG. 4 is a left side view of the container with grip of FIG. 1;
FIG. 5 is a top view of the container with grip of FIG. 1; and,
FIG. 6 is a bottom view of the container with grip of FIG. 1.
The broken lines shown throughout these figures are for illustrative purposes only and form no part of the claimed design.

1 Claim, 5 Drawing Sheets



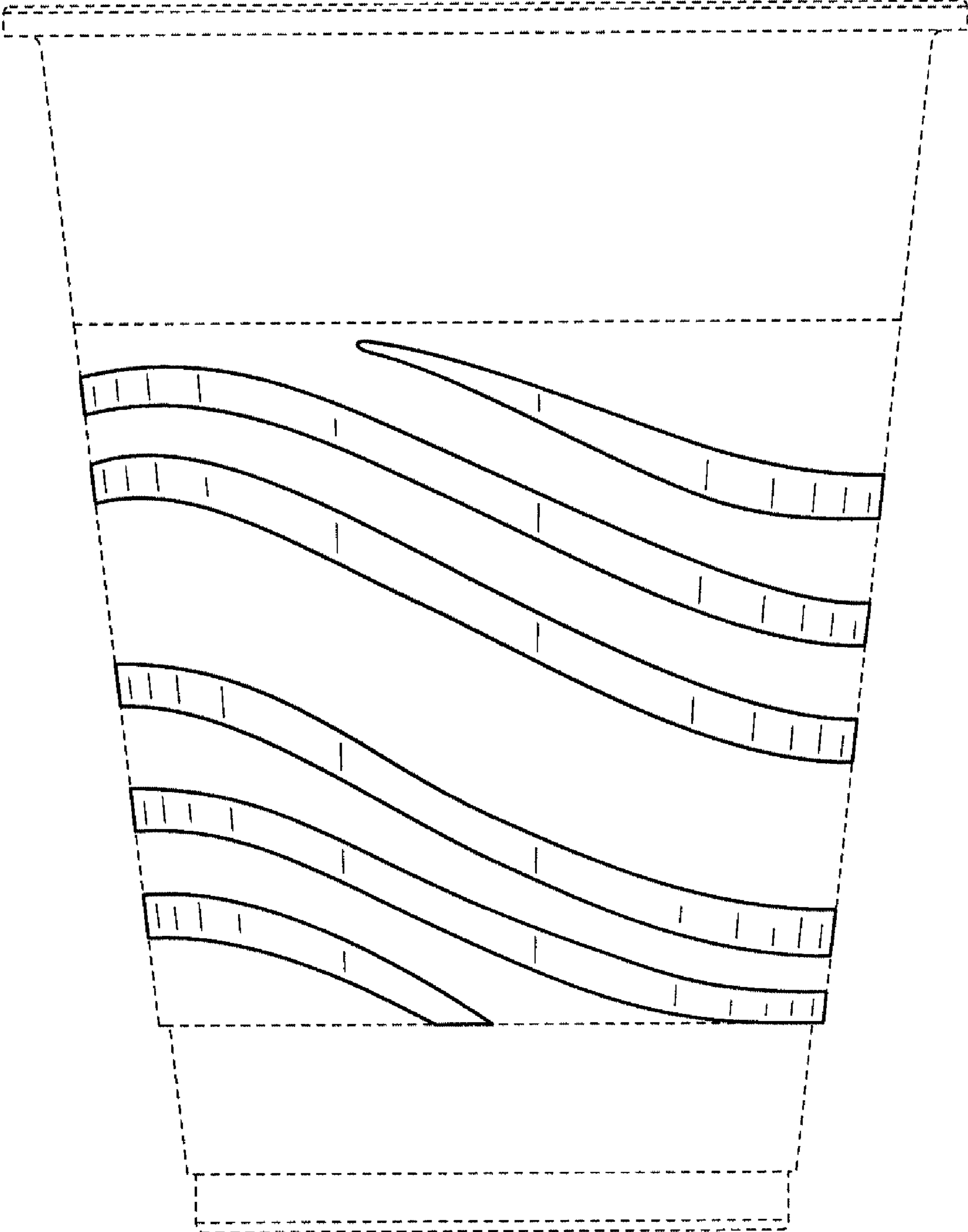


FIG. 1

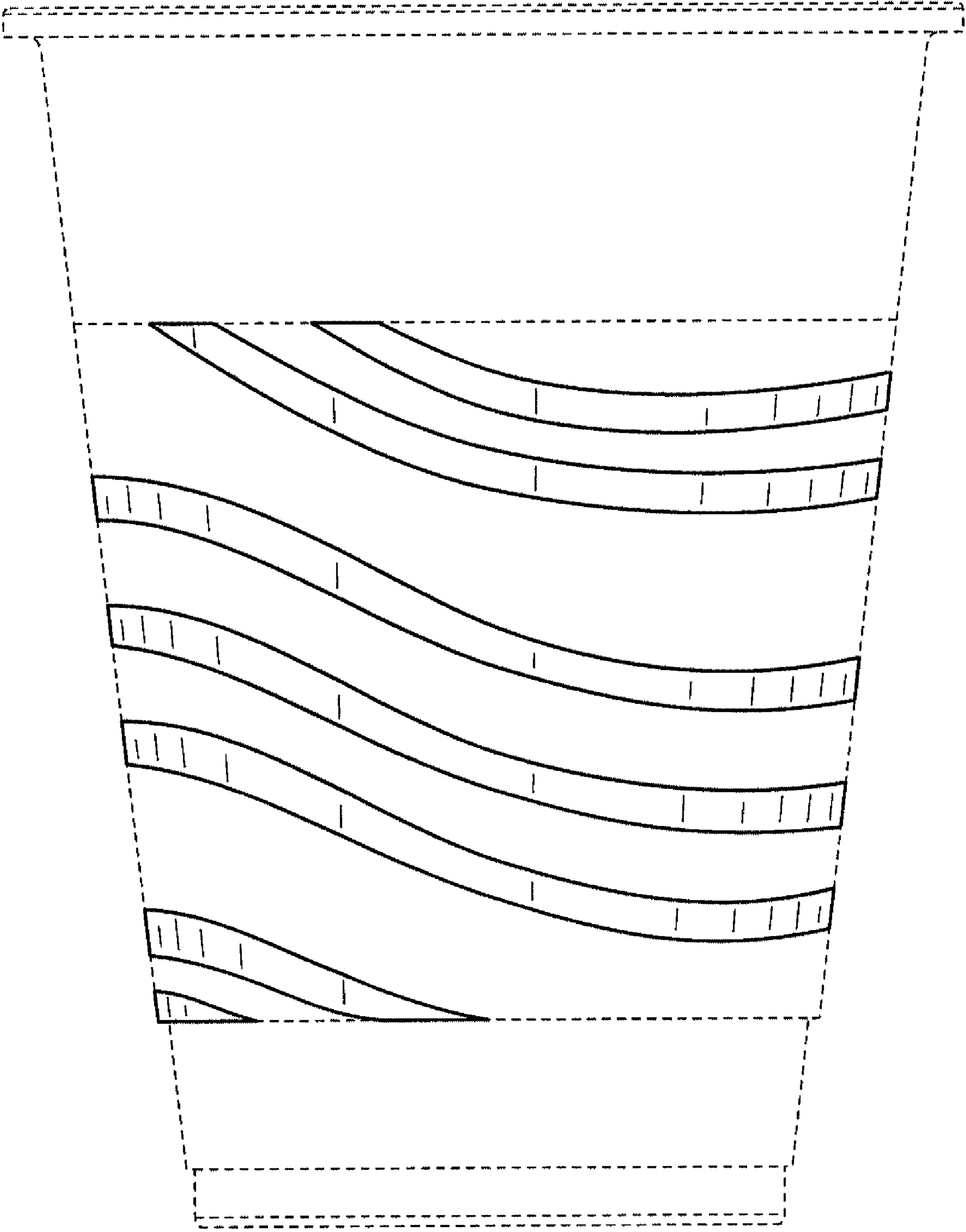


FIG. 2

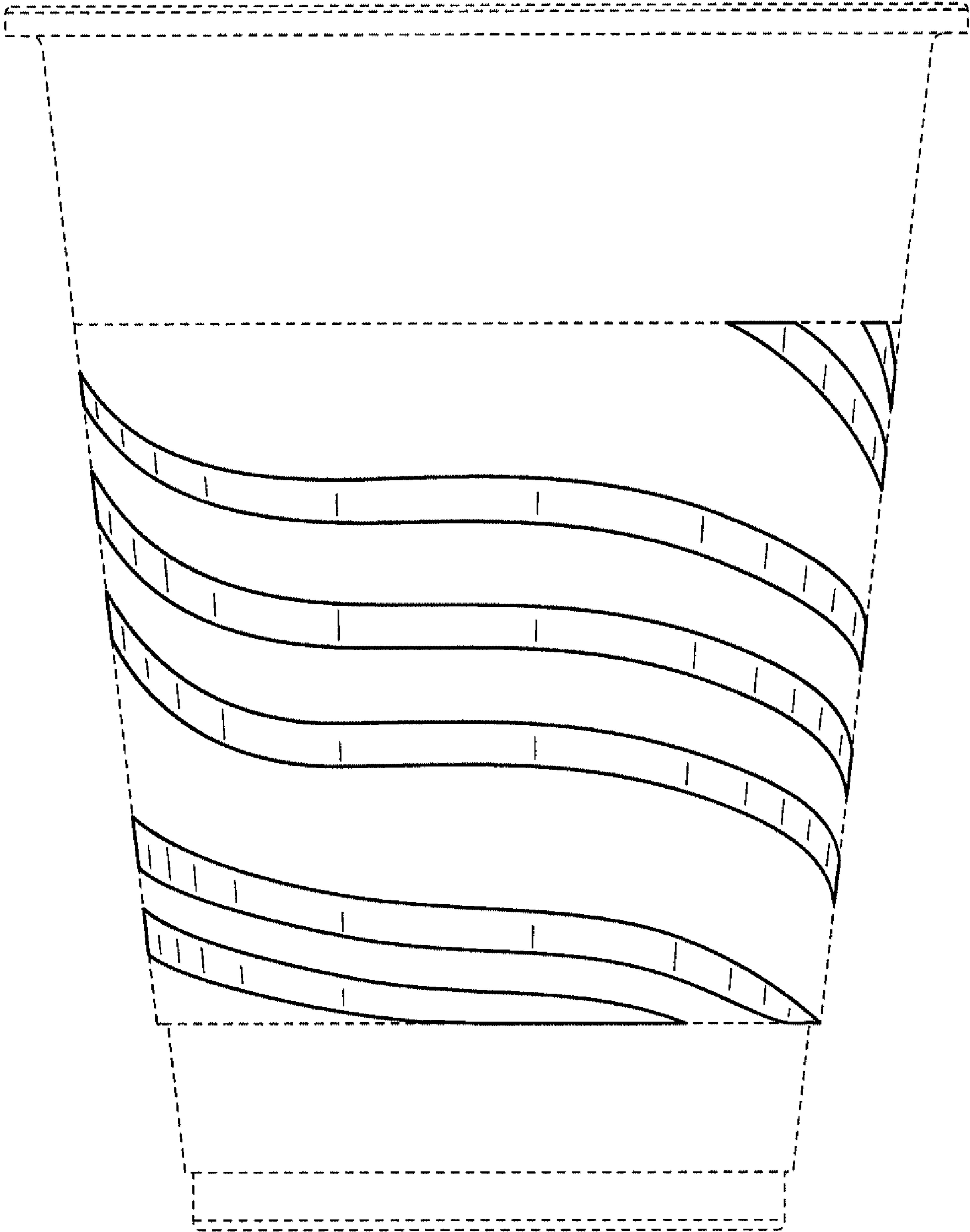


FIG. 3

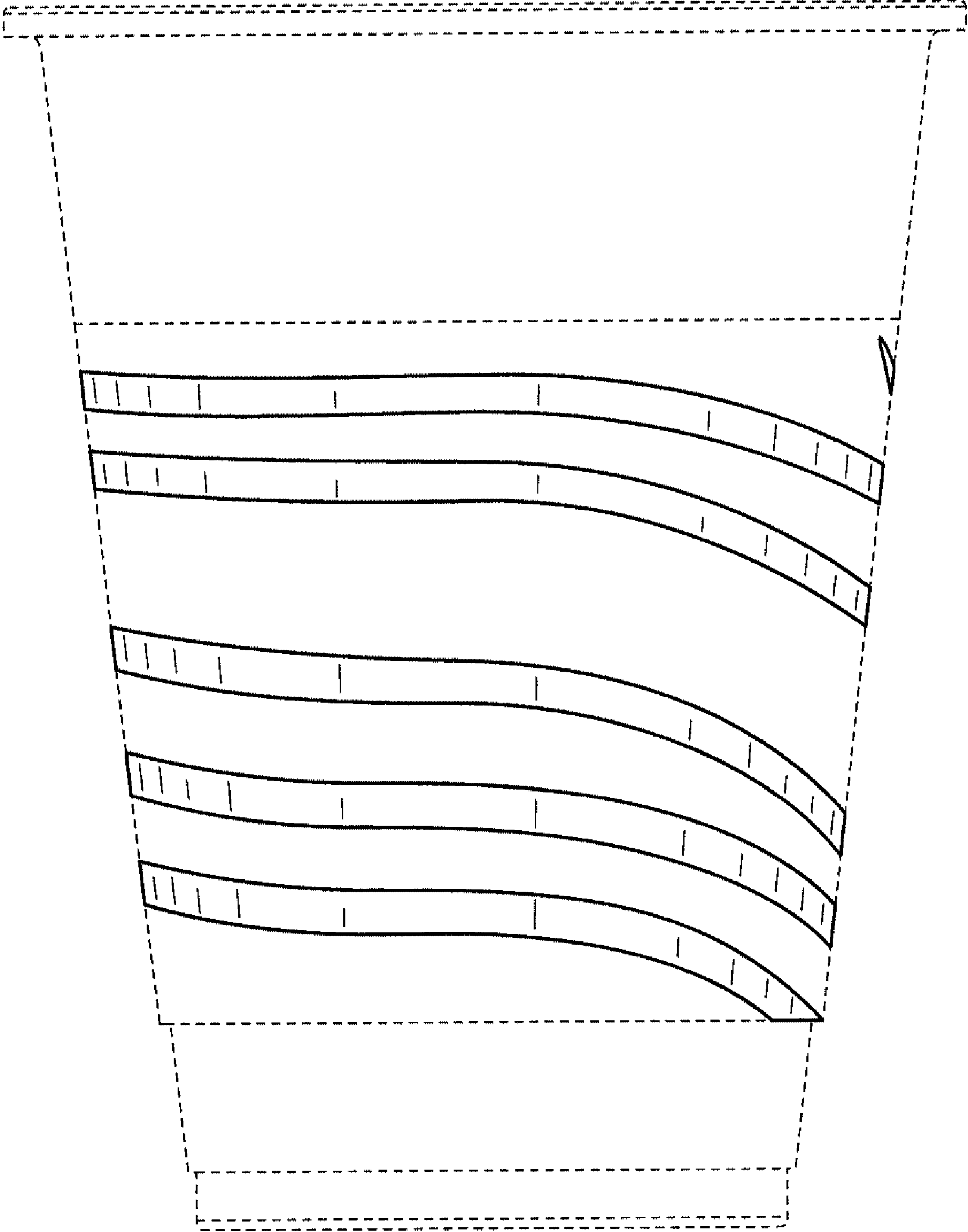


FIG. 4

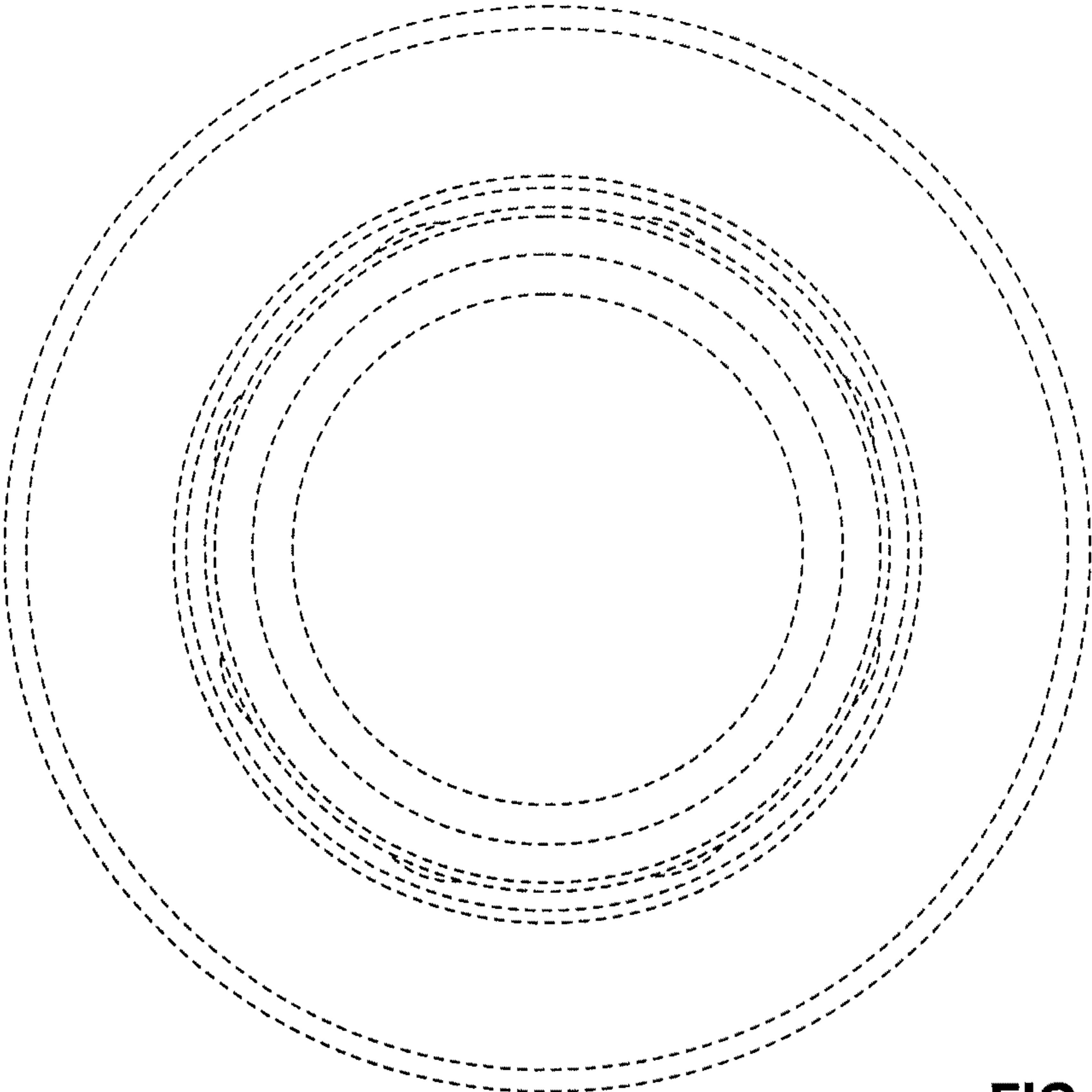


FIG. 5

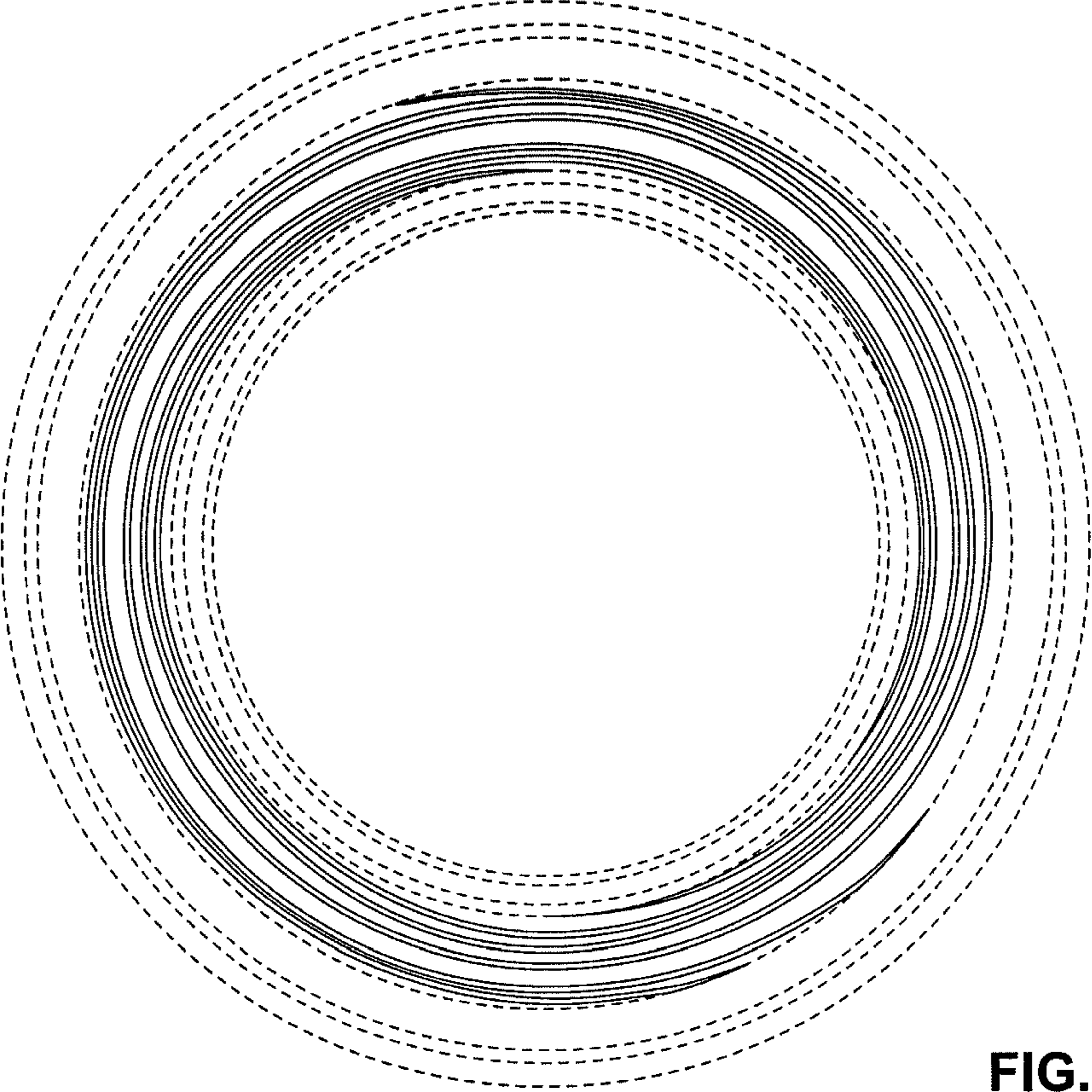


FIG. 6