



US00D617138S

(12) **United States Design Patent**
Munari

(10) **Patent No.:** **US D617,138 S**
(45) **Date of Patent:** **** Jun. 8, 2010**

(54) **COOKWARE HANDLE**

(75) Inventor: **Marco Munari**, Cardano al Campo (IT)

(73) Assignee: **LA Termoplastico F.B.M. S.R.L.**, Serpio (IT)

(**) Term: **14 Years**

(21) Appl. No.: **29/331,309**

(22) Filed: **Jan. 23, 2009**

(30) **Foreign Application Priority Data**

Jul. 25, 2008 (EM) 000976717

(51) **LOC (9) Cl.** **07-02**

(52) **U.S. Cl.** **D7/394**

(58) **Field of Classification Search** D7/354-361,
D7/391, 393, 394; D8/300, 301, 305, 307,
D8/308, 310, 311, 312, 316, 319, 320; 220/752;
16/110.1, 402, 410, 412, 414, 417, 433, 441-443;
D3/318; D4/129

See application file for complete search history.

(56) **References Cited**

U.S. PATENT DOCUMENTS

D262,551 S * 1/1982 Argandona D8/307
D395,376 S * 6/1998 Montgelard D7/393
D442,023 S * 5/2001 Chih-Chien D7/394
D451,779 S * 12/2001 du Sartel D8/107
D461,094 S * 8/2002 Coudurier D7/394
D462,570 S * 9/2002 Munari D7/394

D487,010 S * 2/2004 Marquardt et al. D8/107
D505,268 S * 5/2005 Potempa D4/129
D514,917 S * 2/2006 Coudurier D8/107
D527,183 S * 8/2006 Moon D3/318
D527,220 S * 8/2006 Scipioni D7/394
D528,856 S * 9/2006 Pascal D7/394
D554,939 S * 11/2007 Munari D7/394

* cited by examiner

Primary Examiner—Philip S Hyder

Assistant Examiner—Cynthia M Chin

(74) *Attorney, Agent, or Firm*—Ladas and Parry LLP

(57) **CLAIM**

I claim the design for a cookware handle, as shown and described.

DESCRIPTION

FIG. 1 is a bottom view of my new design for a cookware handle;

FIG. 2 is a side elevation view thereof (the opposite side view being symmetrical);

FIG. 3 is a top plan view thereof;

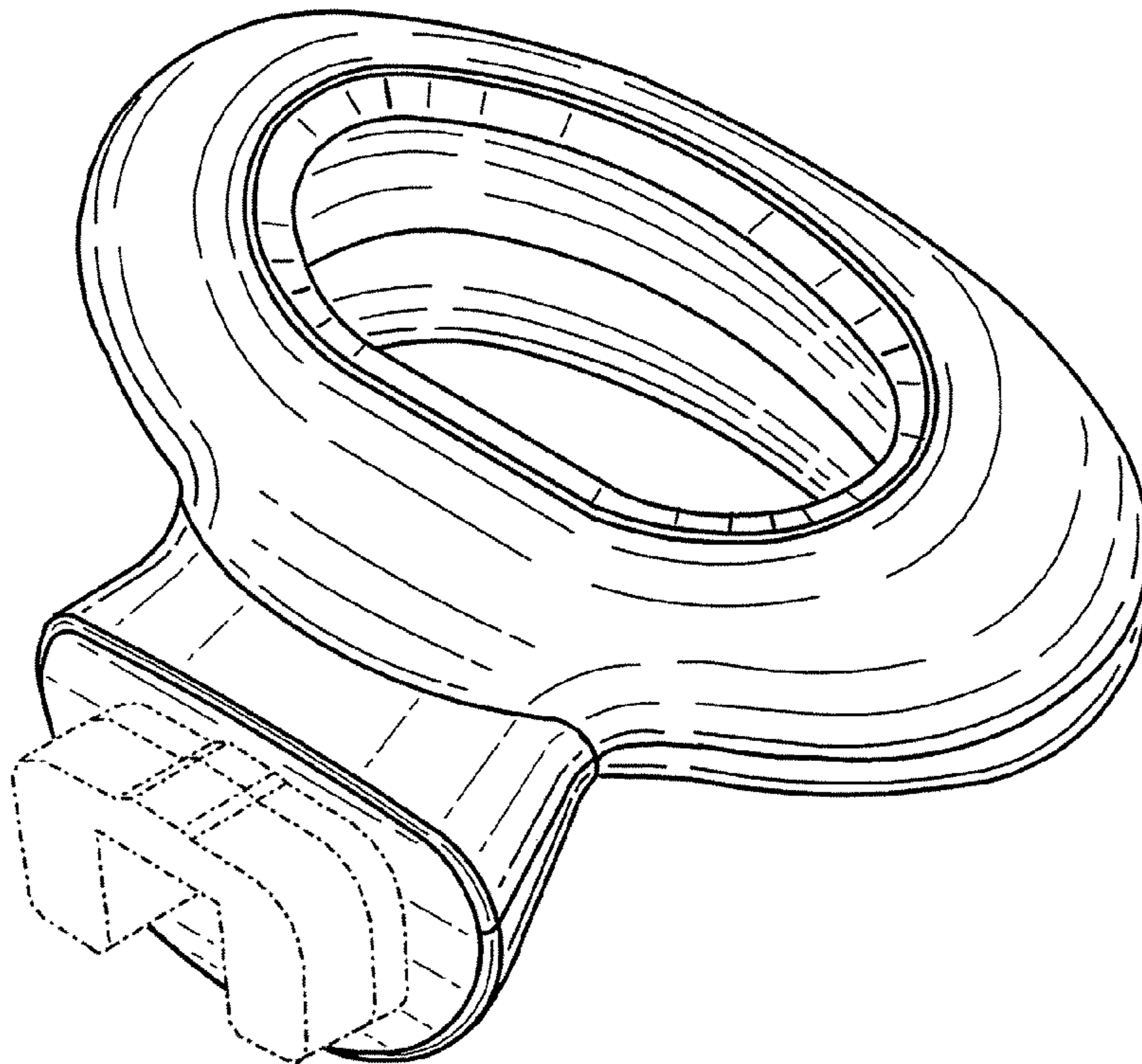
FIG. 4 is a front elevation view thereof;

FIG. 5 is a rear elevation view thereof; and,

FIG. 6 is a top/side elevation view thereof.

Features shown in broken lines show environmental structure and form no part of the claimed design.

1 Claim, 3 Drawing Sheets



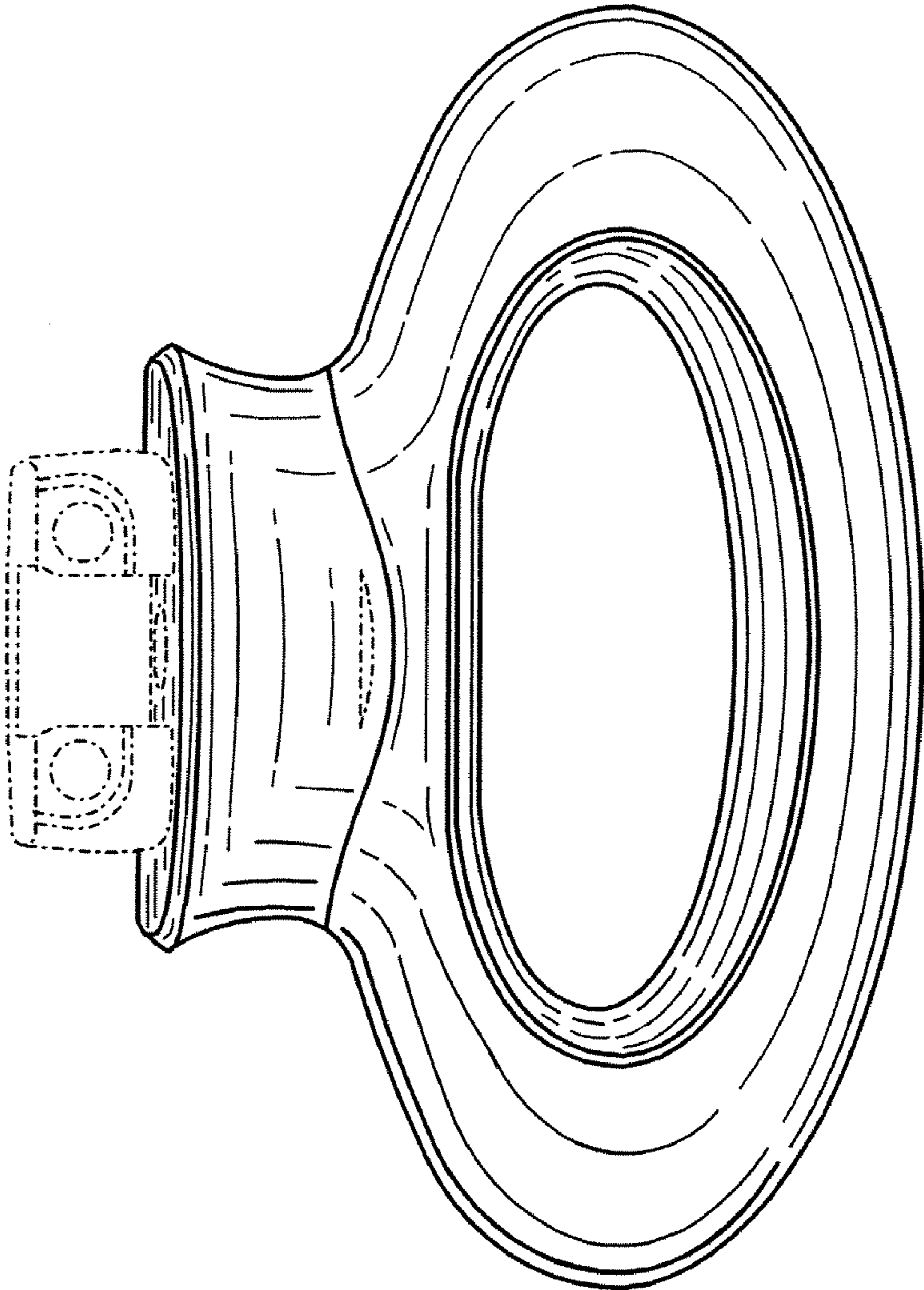


FIG. 1

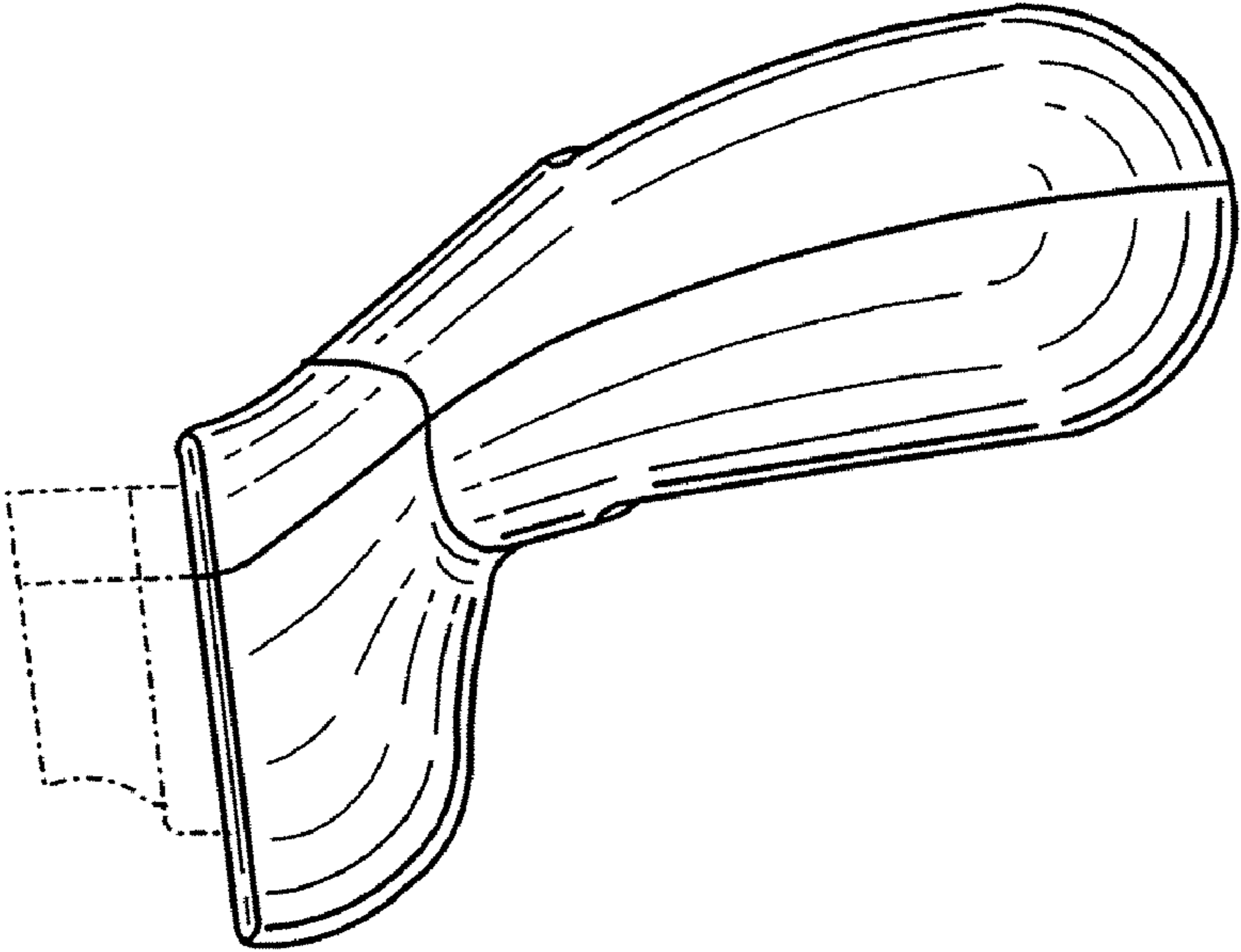


FIG. 2

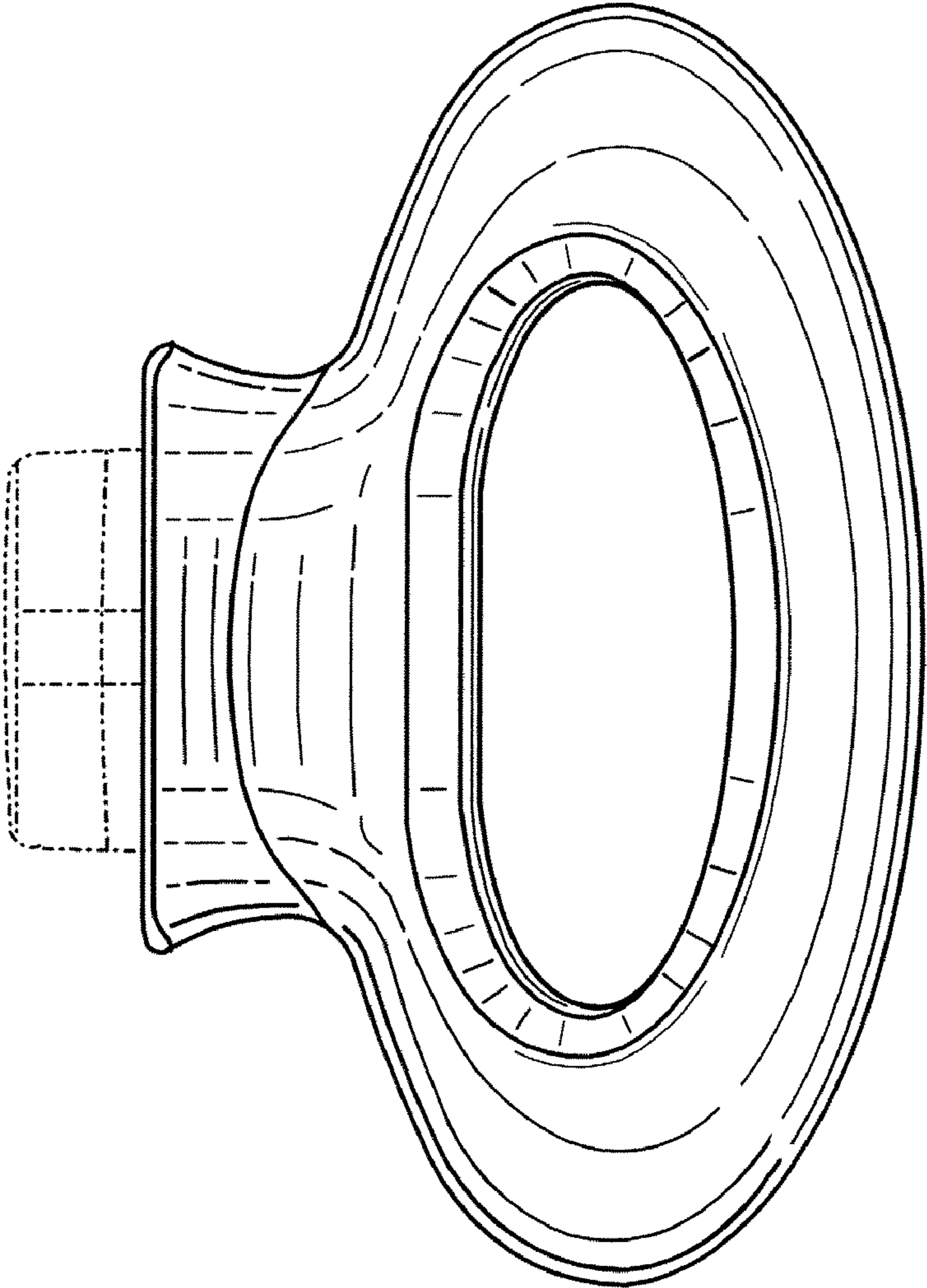


FIG. 3

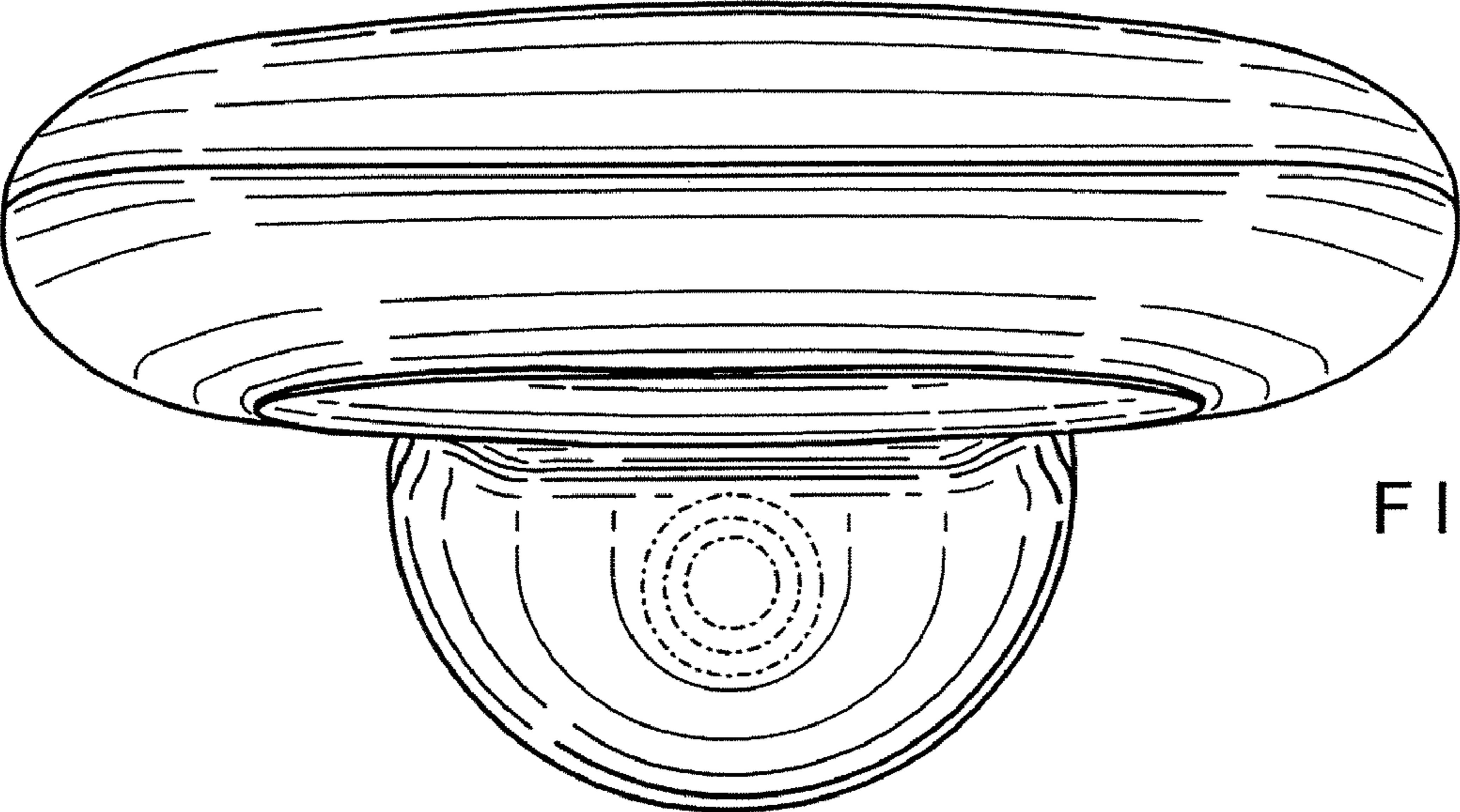


FIG. 4

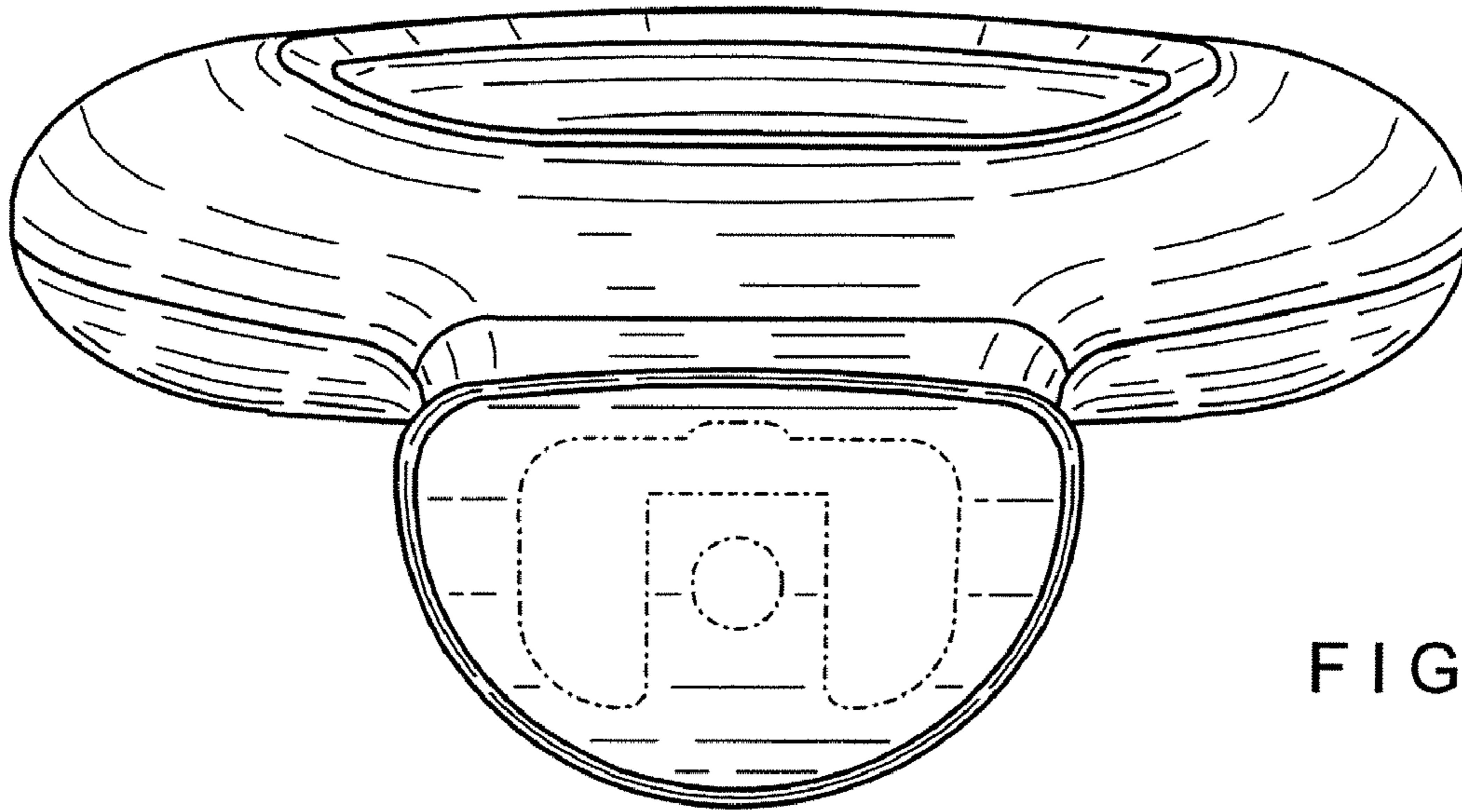


FIG. 5

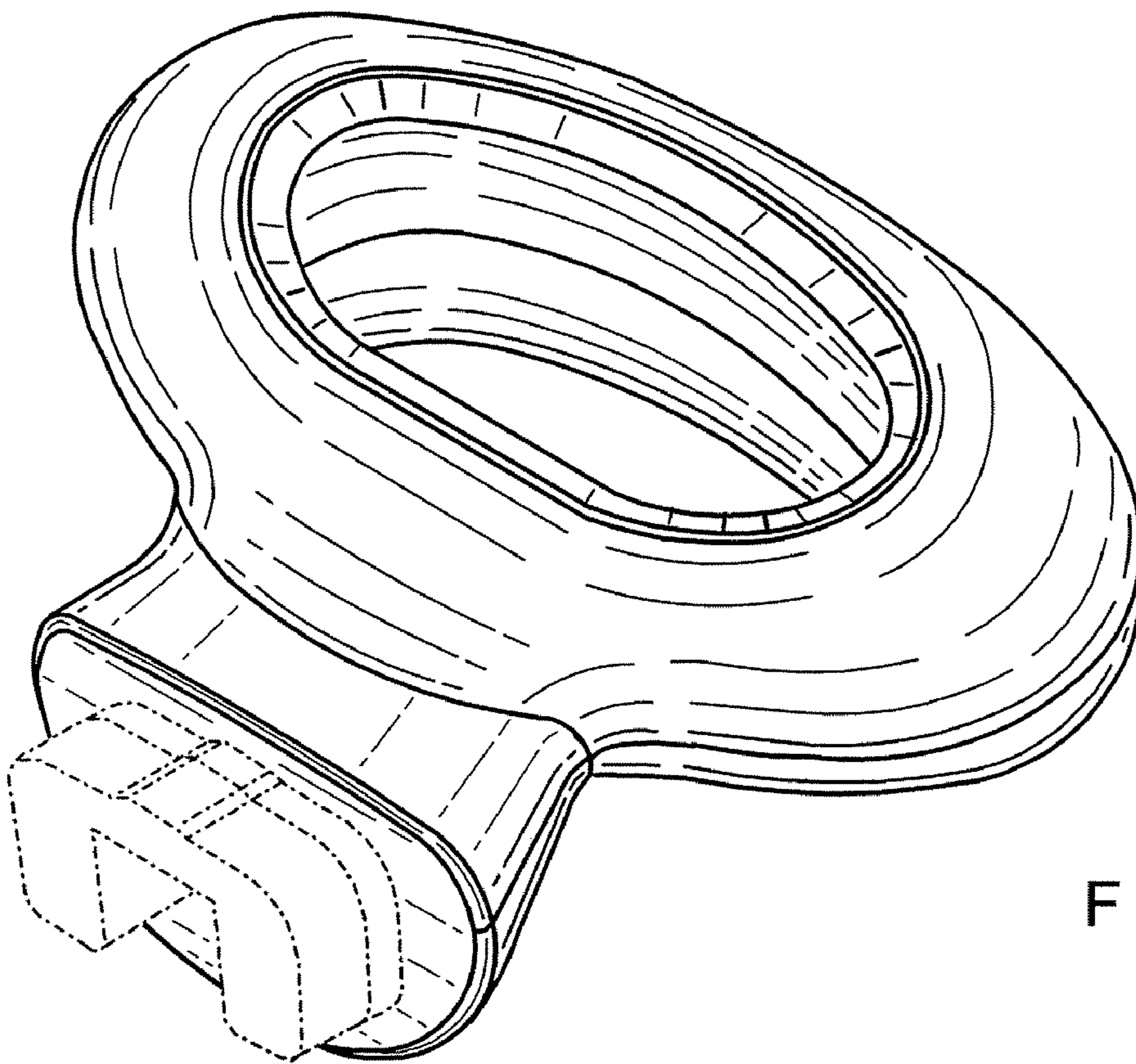


FIG. 6

UNITED STATES PATENT AND TRADEMARK OFFICE
CERTIFICATE OF CORRECTION

PATENT NO. : D617,138 S
APPLICATION NO. : 29/331309
DATED : June 8, 2010
INVENTOR(S) : Marco Munari

Page 1 of 1

It is certified that error appears in the above-identified patent and that said Letters Patent is hereby corrected as shown below:

The town of residence of the assignee is “ARSAGO SEPRIO” and not “Serpio” as erroneously indicated on the cover page of the above Letters Patent.

On the cover page of the patent, Item (73) Assignee, please delete “Serpio” and insert
--ARSAGO SEPRIO--

Signed and Sealed this
Tenth Day of April, 2012

A handwritten signature in black ink that reads "David J. Kappos". The signature is written in a cursive, slightly slanted style.

David J. Kappos
Director of the United States Patent and Trademark Office