



US00D617136S

(12) **United States Design Patent**
Bock et al.

(10) **Patent No.:** **US D617,136 S**
(45) **Date of Patent:** **** Jun. 8, 2010**

- (54) **BLENDER**
- (75) Inventors: **Brian Bock**, Midlothian, VA (US);
Michael Allen, Glen Allen, VA (US)
- (73) Assignee: **Hamilton Beach Brands, Inc.**, Glen
Allen, VA (US)
- (**) Term: **14 Years**
- (21) Appl. No.: **29/350,912**
- (22) Filed: **Nov. 25, 2009**
- (51) **LOC (9) Cl.** **31-00**
- (52) **U.S. Cl.** **D7/378**
- (58) **Field of Classification Search** D7/317-318,
D7/356, 376-386, 412-415, 665; 99/348,
99/509-511; 241/30-37.5, 101.01-101.2,
241/166-169.1, 274-278.2, 285.1-285.3,
241/291, 292.1; 366/64-67, 98, 142, 192,
366/197-211, 241-254, 279-292, 341-347
See application file for complete search history.

D548,106 S	8/2007	Martinez et al.
D563,164 S	3/2008	Sands
D577,537 S	9/2008	Lee
D587,961 S	3/2009	Lavy
7,530,478 B2	5/2009	Blomdahl et al.
7,537,137 B2	5/2009	Giraud
7,568,590 B1	8/2009	Gross et al.
7,581,688 B2 *	9/2009	Mally 241/30
D605,462 S *	12/2009	Picozza et al. D7/386
2008/0277020 A1	11/2008	Windmiller
2009/0101645 A1	4/2009	Wilson et al.
2009/0129200 A1	5/2009	Breviere et al.
2009/0134188 A1	5/2009	Wilson et al.
2009/0140006 A1	6/2009	Vitantonio et al.
2009/0173737 A1	7/2009	Ramsey et al.
2009/0194535 A1	8/2009	Reed et al.
2009/0200296 A1	8/2009	Iwasaki

* cited by examiner

Primary Examiner—Caron Veynar
Assistant Examiner—Ricky Pham
(74) *Attorney, Agent, or Firm*—Panitch Schwarze Belisario & Nadel LLP

(56) **References Cited**

U.S. PATENT DOCUMENTS

3,908,100 A	9/1975	Richard et al.
D339,715 S	9/1993	Barrault
D373,504 S	9/1996	Leverrier
D387,948 S	12/1997	Leverrier
D394,986 S	6/1998	Lallemand
D404,247 S	1/1999	Spagnolo
D404,606 S *	1/1999	Huang D7/378
D404,607 S	1/1999	Huang
6,059,445 A	5/2000	St John et al.
D444,995 S	7/2001	Thackray
6,402,365 B1 *	6/2002	Wong 366/206
6,609,821 B2	8/2003	Wulf et al.
D526,531 S	8/2006	Drees et al.
D530,565 S	10/2006	Grcic
D533,395 S	12/2006	Drees et al.
D537,674 S	3/2007	Davenport et al.

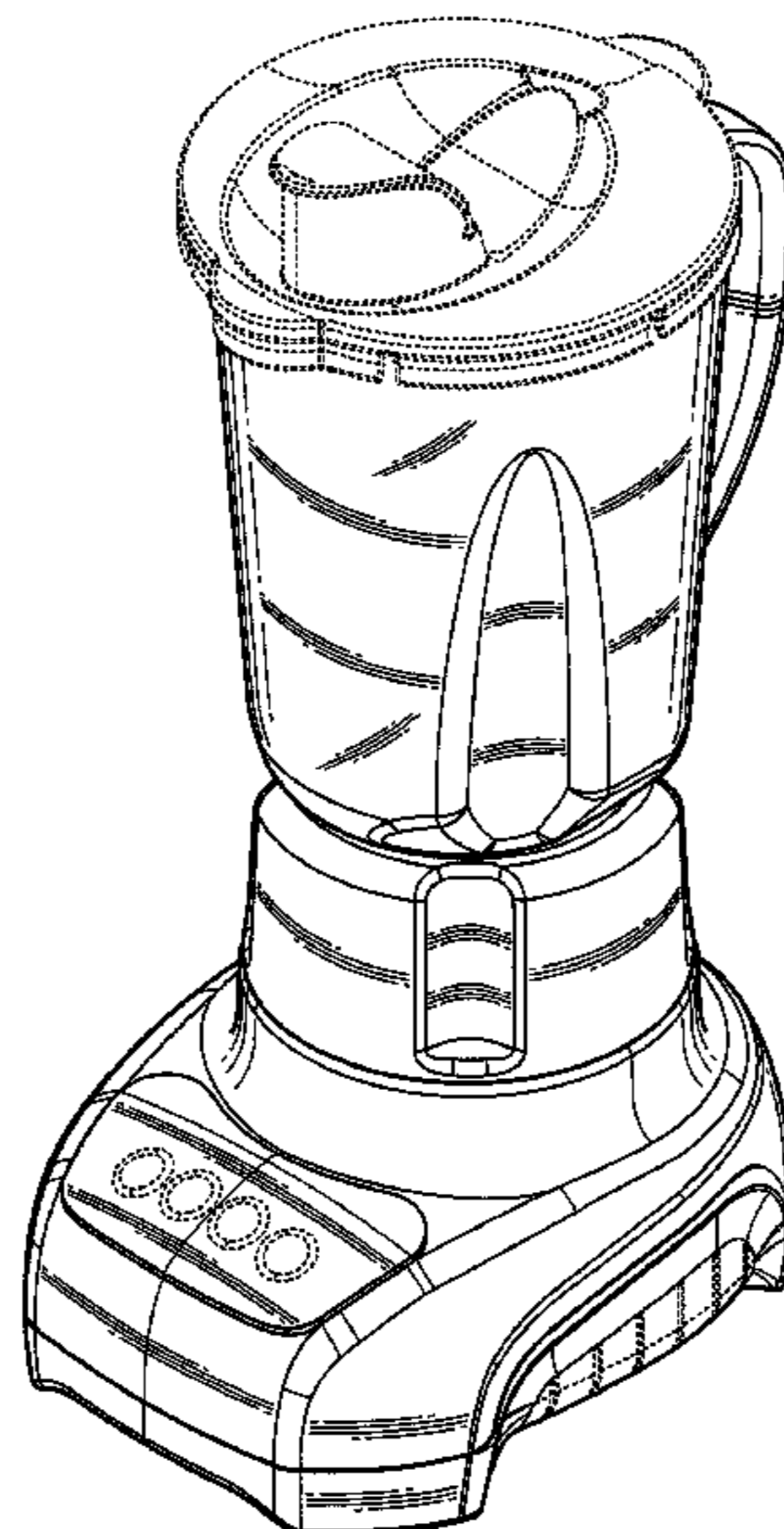
(57) **CLAIM**

The ornamental design for a blender, as shown and described.

DESCRIPTION

FIG. 1 is a perspective view of a blender in accordance with a preferred embodiment of our new design;
FIG. 2 is a left-side elevation view thereof, with the right-side elevation view being a mirror image thereof;
FIG. 3 is a front elevation view thereof;
FIG. 4 is a rear elevation view thereof;
FIG. 5 is a top plan view thereof; and,
FIG. 6 is a bottom plan view thereof.
The broken lines in the figures are for illustrative purposes only and form no part of the claimed design.

1 Claim, 6 Drawing Sheets



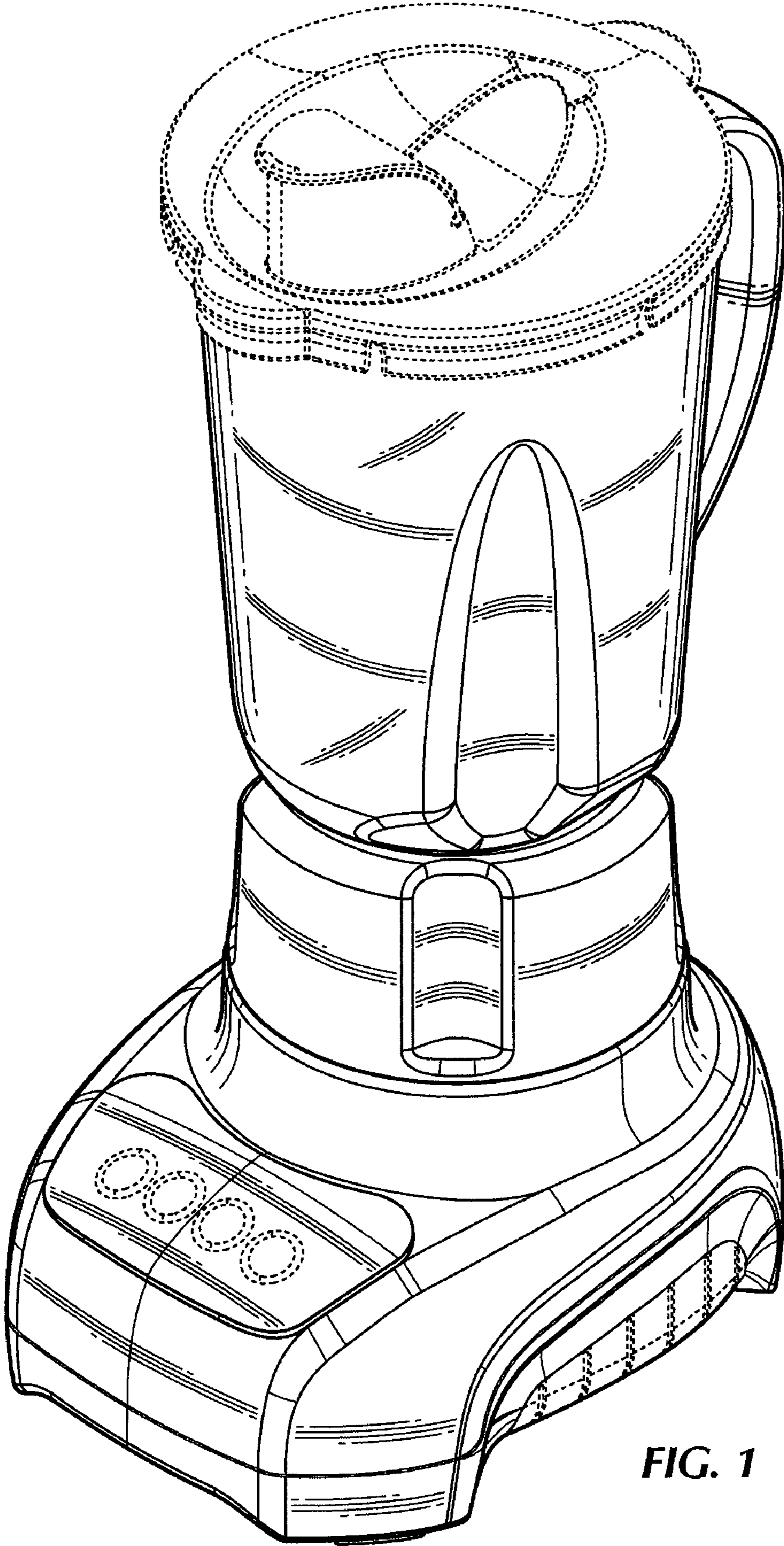


FIG. 1

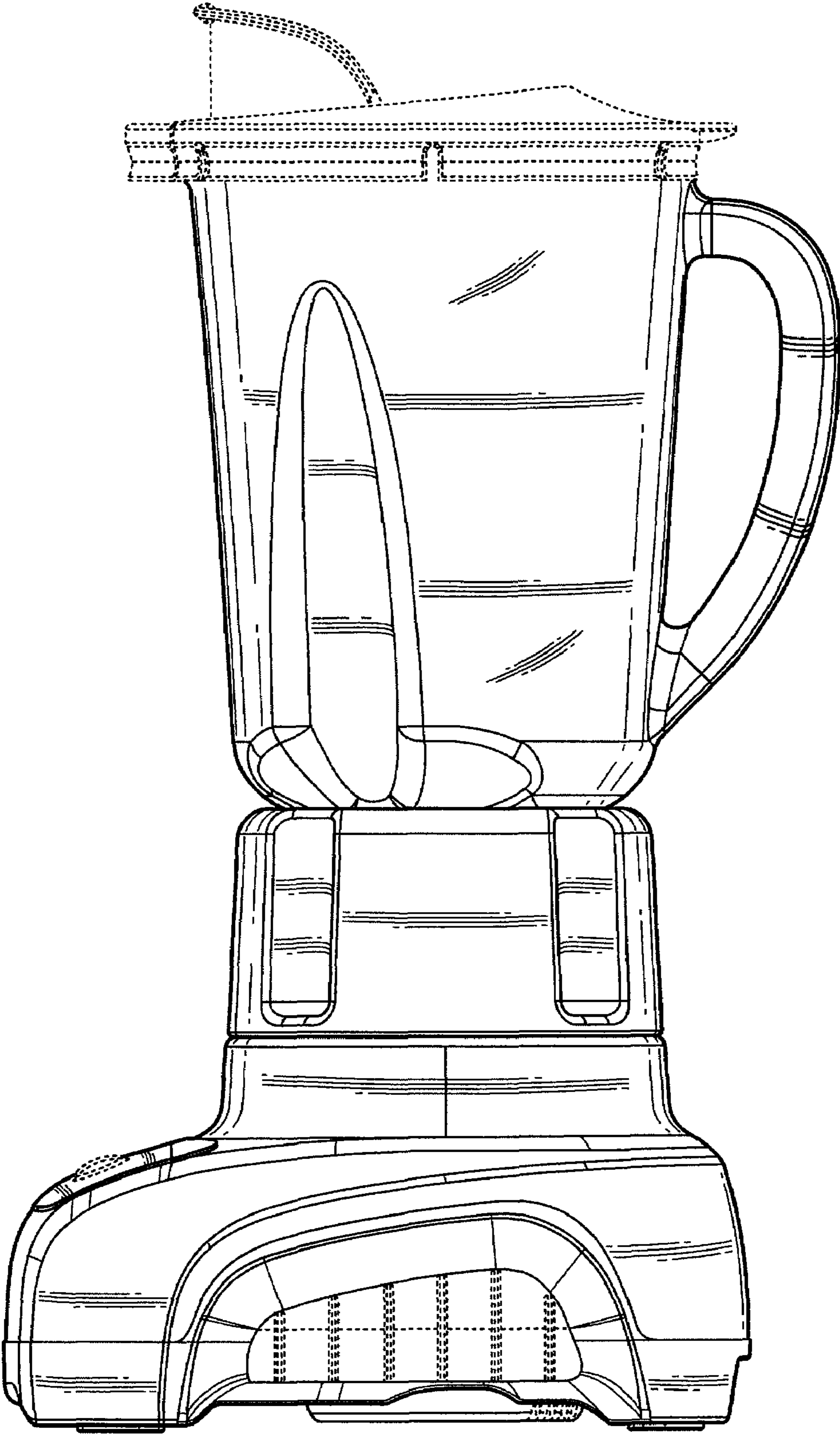


FIG. 2

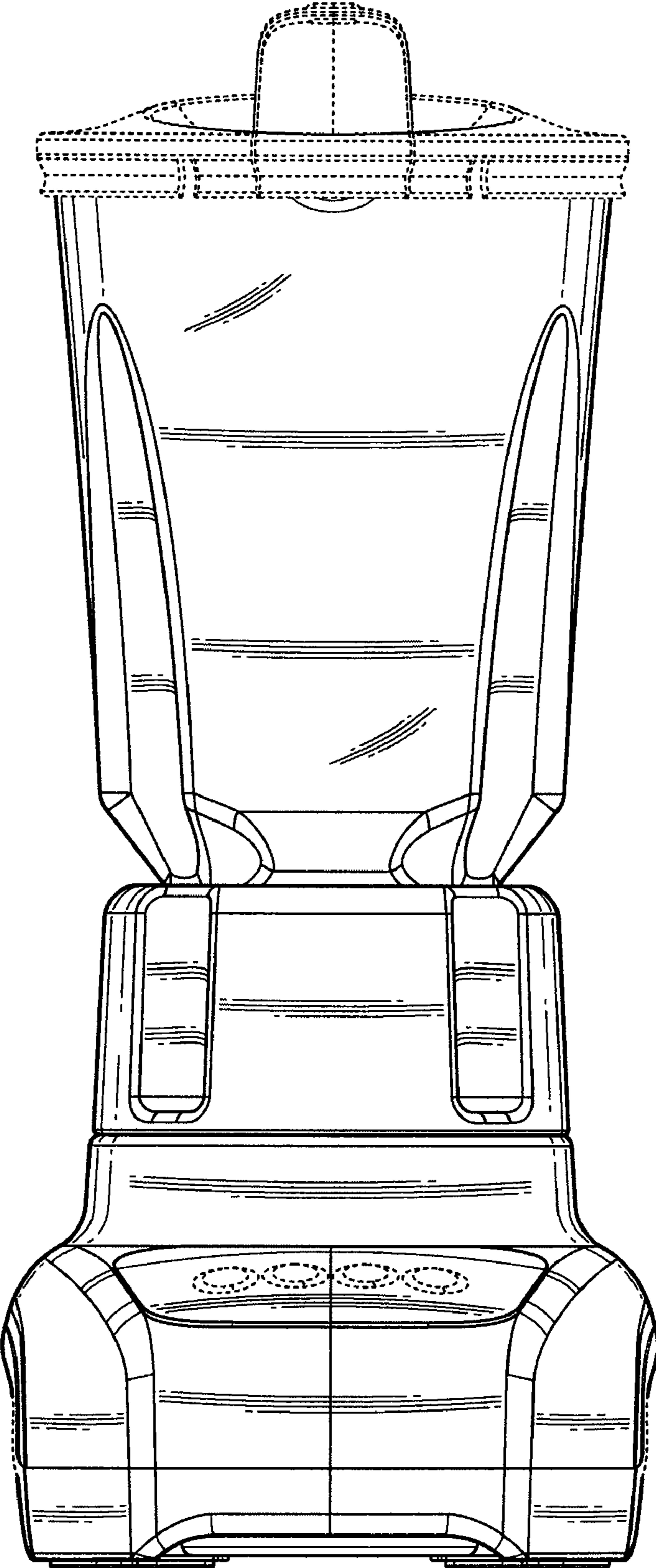


FIG. 3

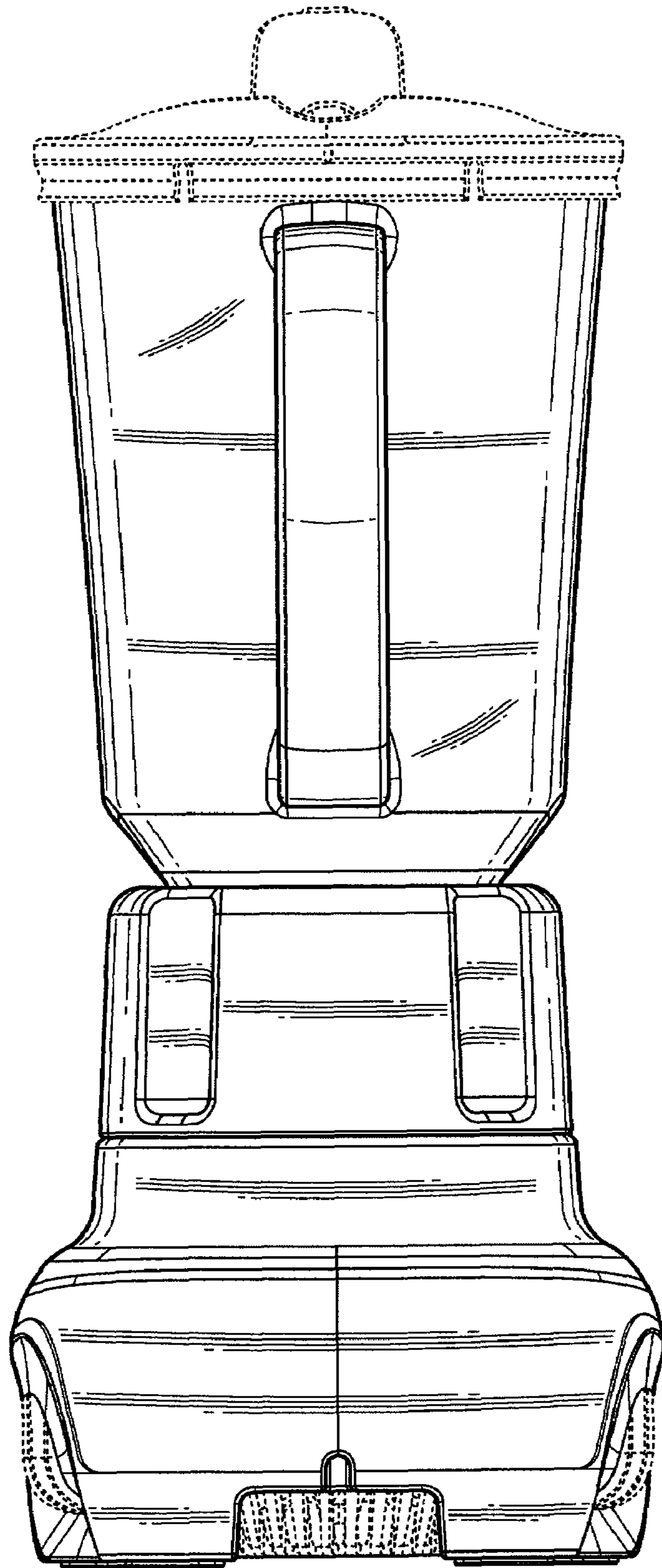


FIG. 4

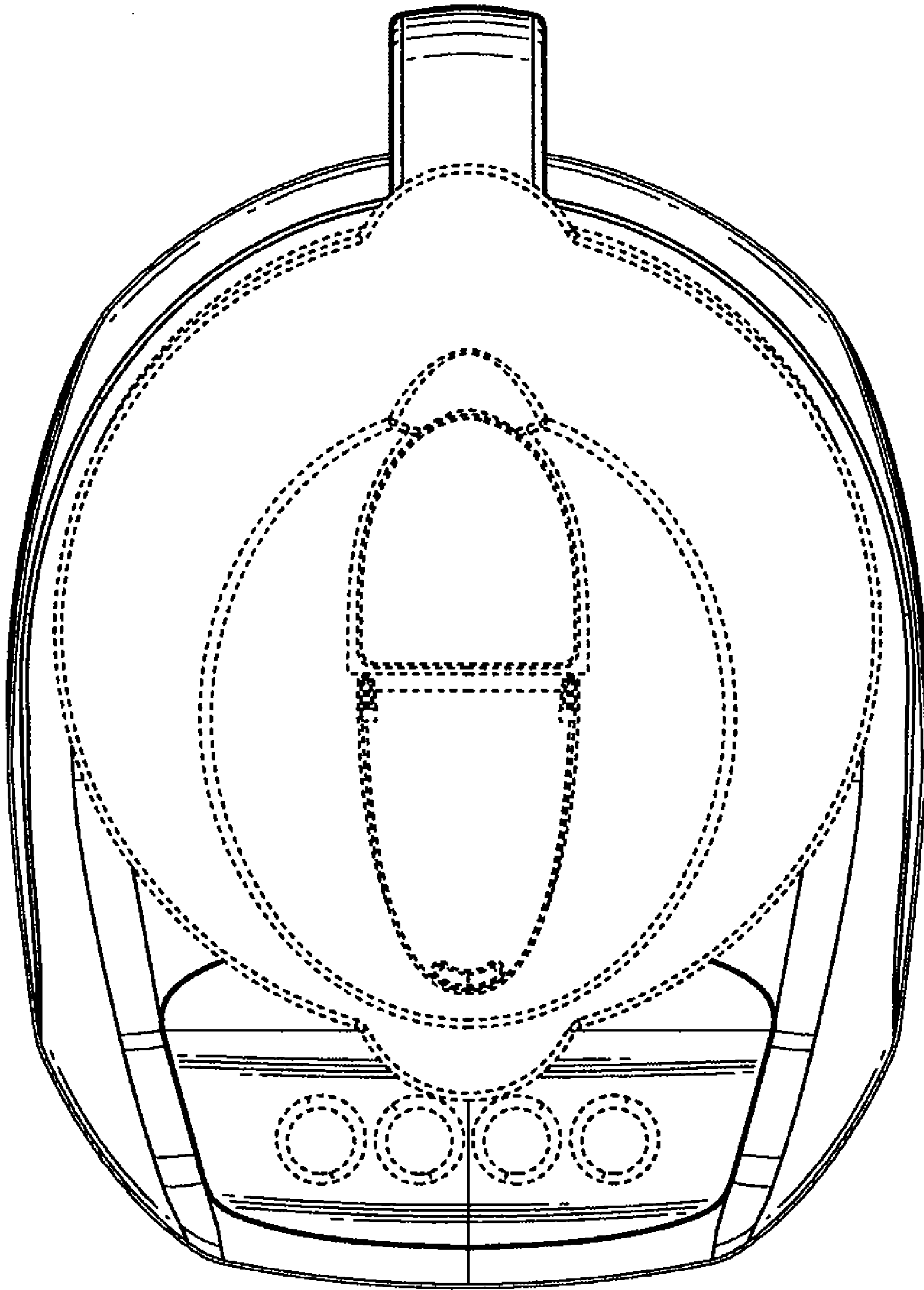


FIG. 5

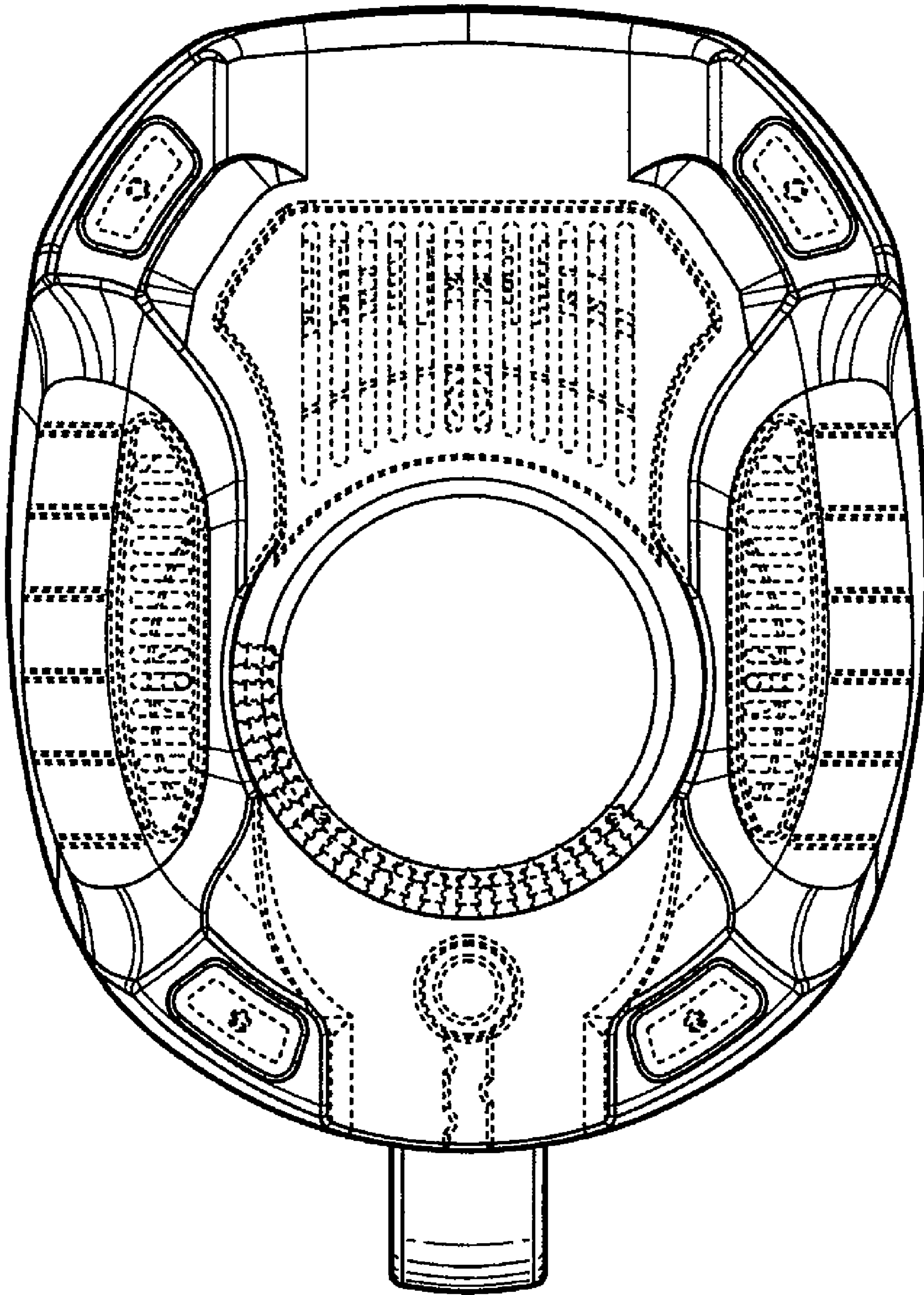


FIG. 6