



US00D617135S

(12) **United States Design Patent**  
**Reay**

(10) **Patent No.:** **US D617,135 S**  
(45) **Date of Patent:** **\*\* Jun. 8, 2010**

(54) **MIXER**

(76) **Inventor:** **Gavin Reay**, 104 Felsham Road, London  
(GB) SW15 1DQ

(\*\*) **Term:** **14 Years**

(21) **Appl. No.:** **29/304,283**

(22) **Filed:** **Feb. 28, 2008**

(51) **LOC (9) Cl.** ..... **31-00**

(52) **U.S. Cl.** ..... **D7/376**

(58) **Field of Classification Search** ..... D7/317-318,  
D7/256, 376-386, 412-415, 665, 690; D14/230;  
D21/721; 15/104.18; 99/348, 509-511;  
241/30-37.5, 101.01-101.2, 166-169.1,  
241/274-278.2, 285.1-285.3, 291, 292.1;  
294/19.2; 366/64-67, 98, 142, 192, 197-211,  
366/203-207, 241-254, 279-292, 341-347  
See application file for complete search history.

(56) **References Cited**

**U.S. PATENT DOCUMENTS**

427,963 A \* 5/1890 Booz et al. .... 15/104.18  
1,723,091 A \* 8/1929 St John ..... 294/19.2

2,092,353 A \* 9/1937 Kyseth et al. .... 416/72  
3,991,983 A \* 11/1976 Drynan ..... 366/129  
D445,316 S \* 7/2001 Borner ..... D7/690  
D524,886 S \* 7/2006 Baril ..... D21/721  
D541,600 S \* 5/2007 Olsen ..... D7/690  
D599,178 S \* 9/2009 Reay ..... D7/690  
D604,280 S \* 11/2009 Chen et al. .... D14/230

\* cited by examiner

*Primary Examiner*—Caron Veynar

*Assistant Examiner*—Ricky Pham

(74) *Attorney, Agent, or Firm*—Eugene M. Cummings, P.C.

(57) **CLAIM**

The ornamental design for a mixer, as shown and described.

**DESCRIPTION**

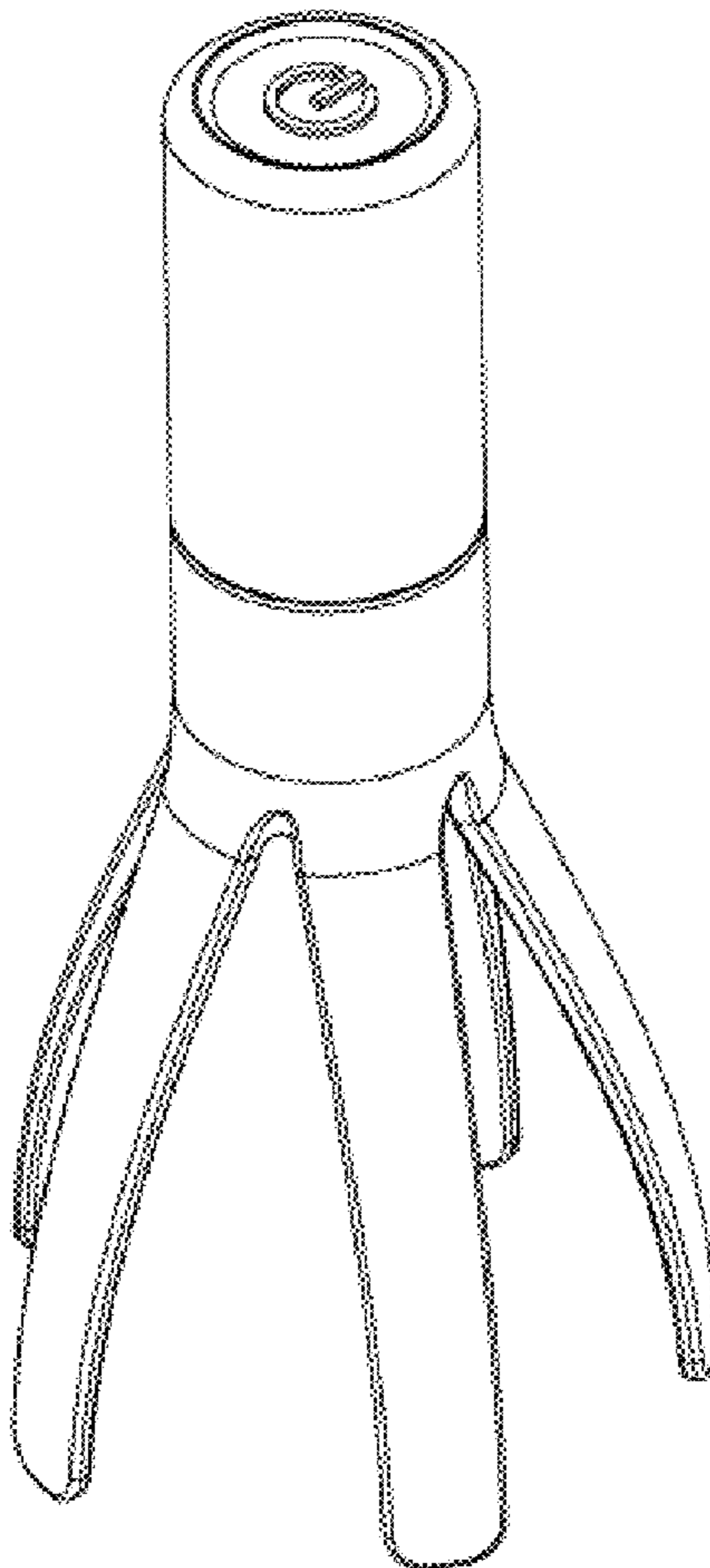
FIG. 1 is a perspective view of a mixer showing the new design.

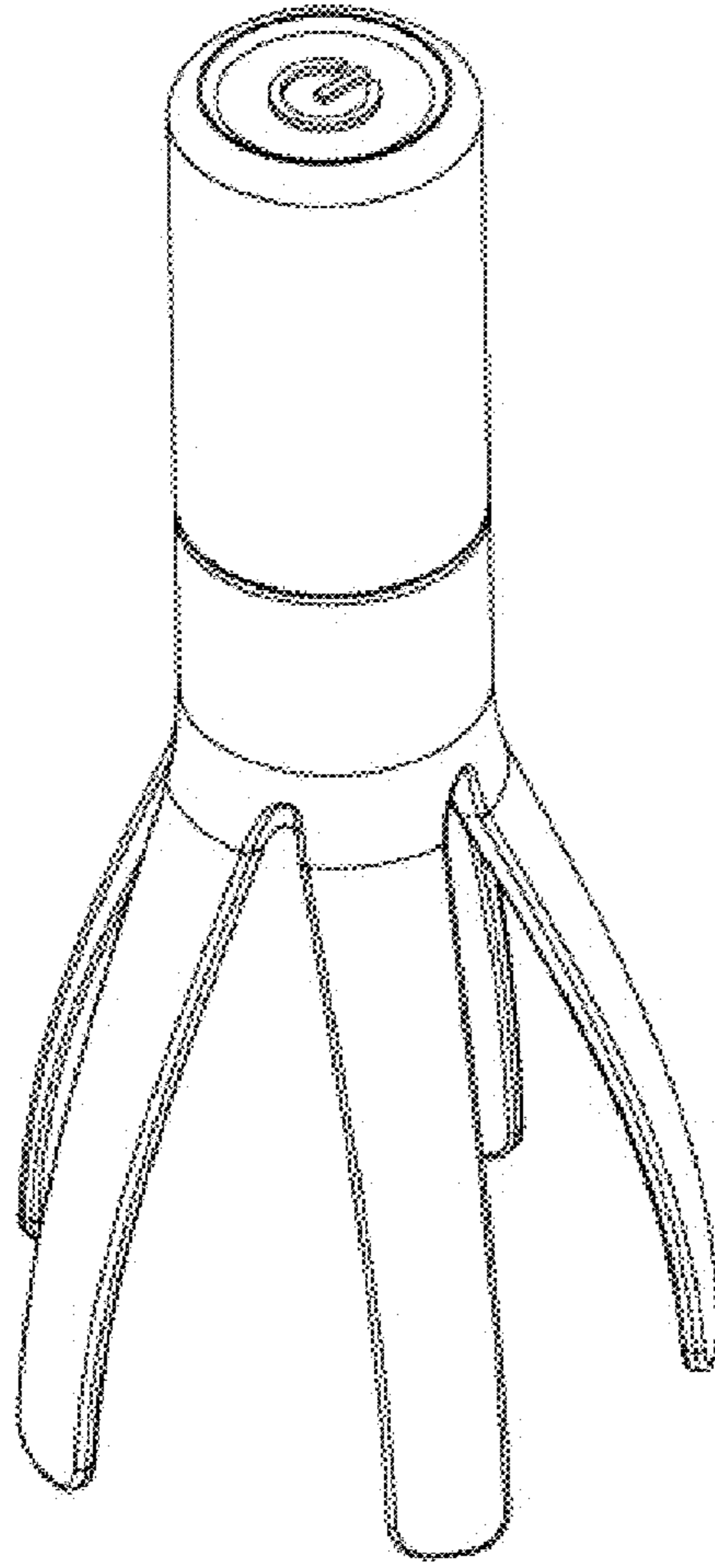
FIG. 2 is a top view of the mixer of FIG. 1.

FIG. 3 is a side view of the mixer of FIG. 1; and,

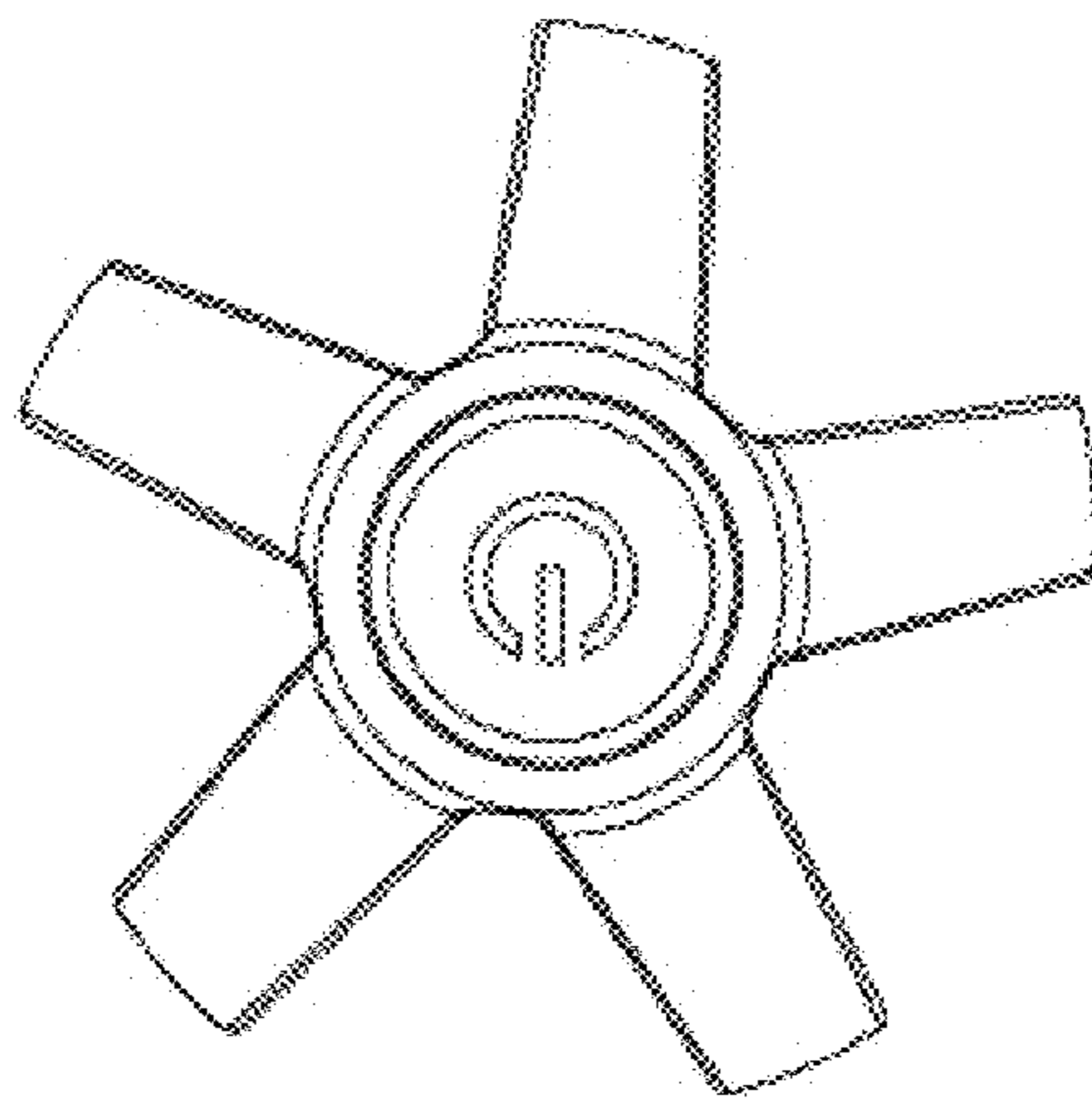
FIG. 4 is a bottom view of the mixer of FIG. 1.

**1 Claim, 2 Drawing Sheets**

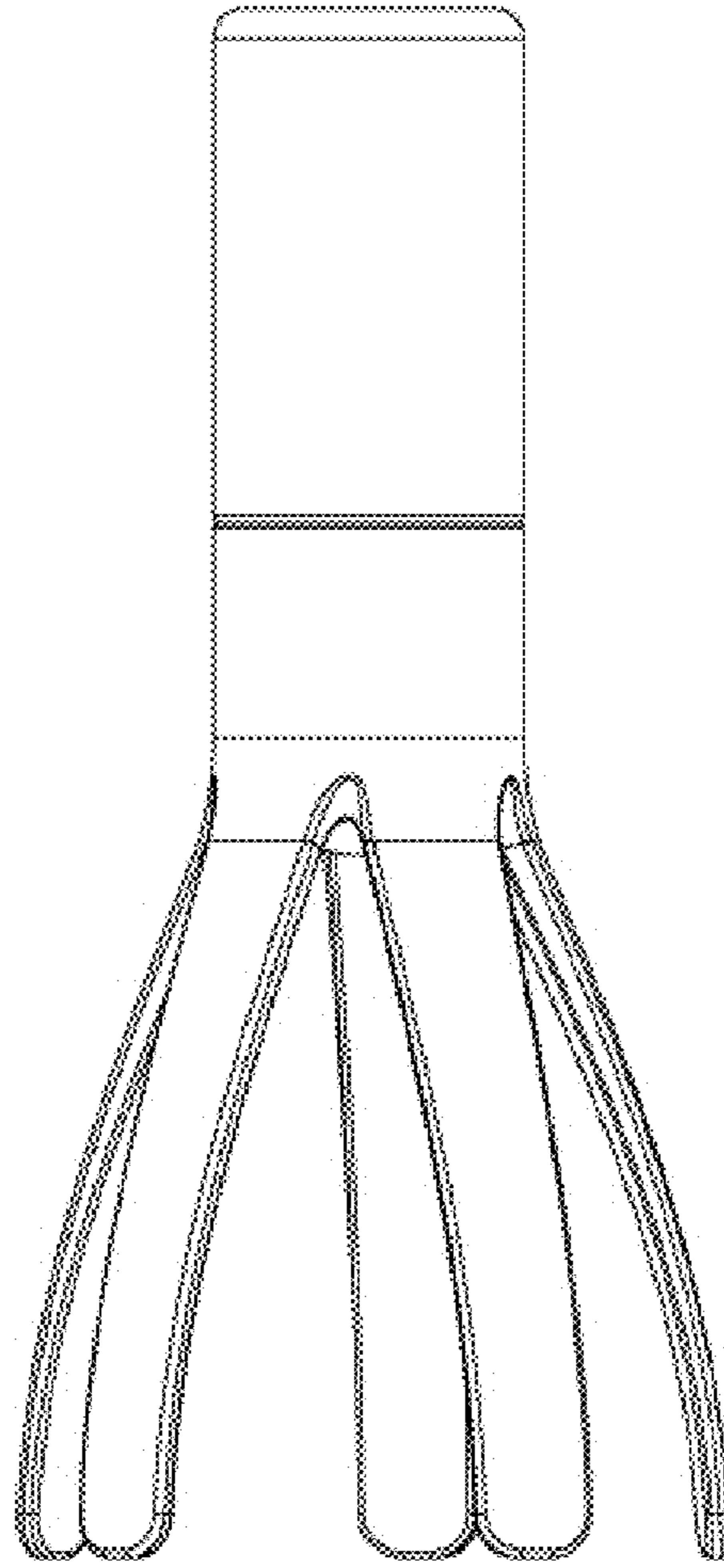




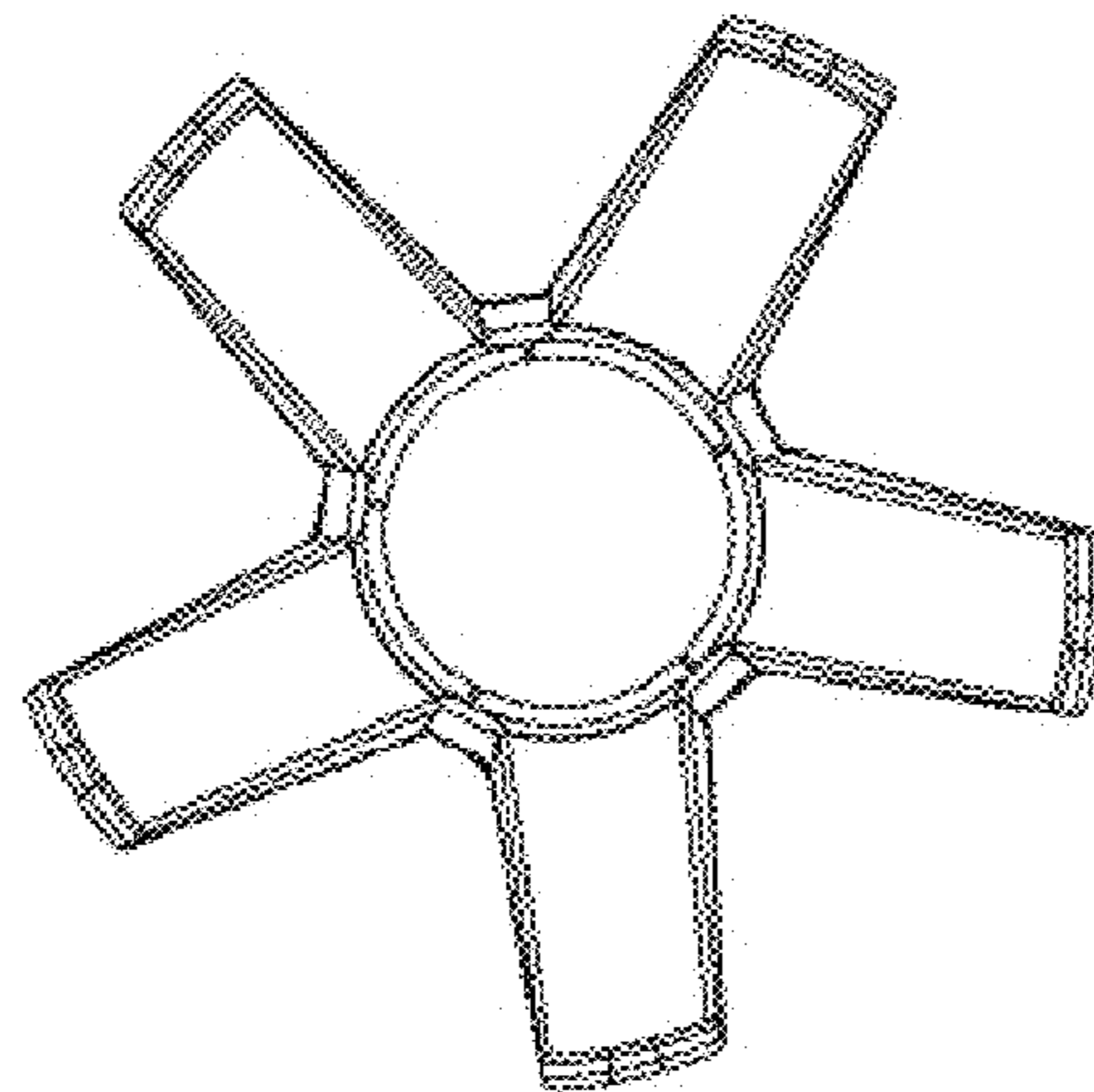
**FIGURE 1**



**FIGURE 2**



**FIGURE 3**



**FIGURE 4**