



US00D617134S

(12) **United States Design Patent**
Perkins

(10) **Patent No.:** **US D617,134 S**

(45) **Date of Patent:** **** Jun. 8, 2010**

(54) **SLOW COOKER**

D566,457 S * 4/2008 Ryan D7/360
D606,803 S * 12/2009 Picozza et al. D7/354

(75) Inventor: **Nancy Perkins**, Dallas, TX (US)

* cited by examiner

(73) Assignee: **Sunbeam Products, Inc.**, Boca Raton, FL (US)

Primary Examiner—Lisa P Lichtenstein

(74) *Attorney, Agent, or Firm*—Lawrence J. Shurupoff

(**) Term: **14 Years**

(57) **CLAIM**

(21) Appl. No.: **29/346,822**

The ornamental design for an slow cooker, as shown and described.

(22) Filed: **Nov. 6, 2009**

(51) **LOC (9) Cl.** **07-02**

(52) **U.S. Cl.** **D7/364**

(58) **Field of Classification Search** D7/323,
D7/330–331, 339, 36, 350–367, 378–379,
D7/383–384, 391, 406, 542; 99/324–325,
99/329 R, 330–339; 219/432–433, 438–441,
219/620–622, 725–730; 220/203.1, 203.7,
220/303, 573.1–574, 769, 912; 426/438,
426/441

See application file for complete search history.

DESCRIPTION

FIG. 1 is a front right perspective view of the slow cooker showing the new design;

FIG. 2 is a front elevation view thereof;

FIG. 3 is a top plan view thereof;

FIG. 4 is a bottom plan view thereof;

FIG. 5 is a right side elevation view thereof;

FIG. 6 is a left side elevation view thereof; and,

FIG. 7 is a back elevation view thereof.

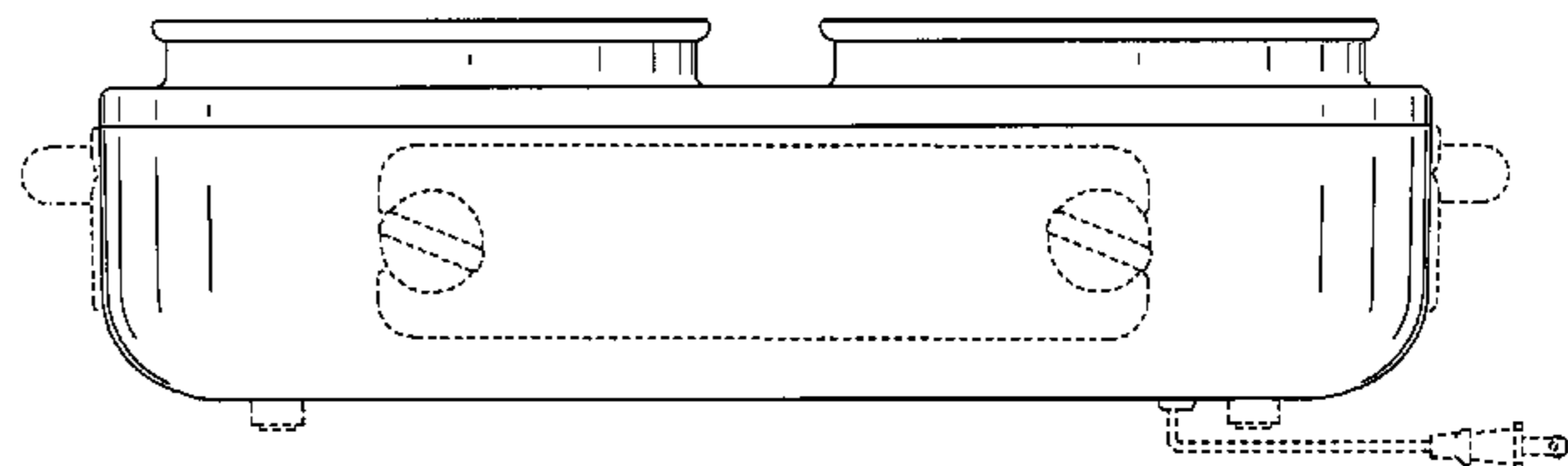
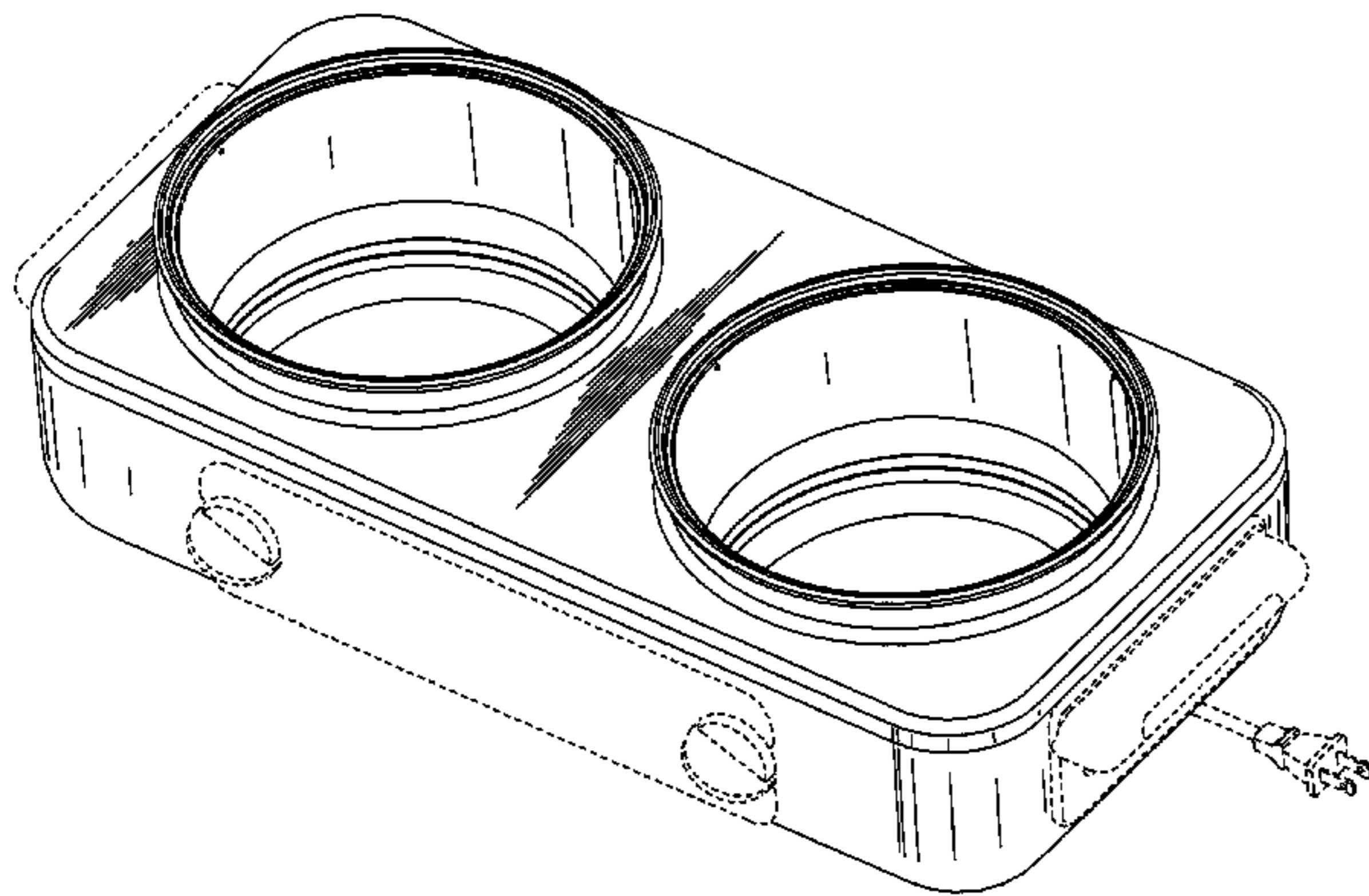
The broken line showing of portions of the slow cooker is included for the purpose of illustrating environmental structure and forms no part of the claimed design.

(56) **References Cited**

U.S. PATENT DOCUMENTS

D205,820 S * 9/1966 Ryan D7/364
D260,958 S * 9/1981 Nishikawa D7/357
D520,806 S * 5/2006 Ryan D7/354

1 Claim, 7 Drawing Sheets



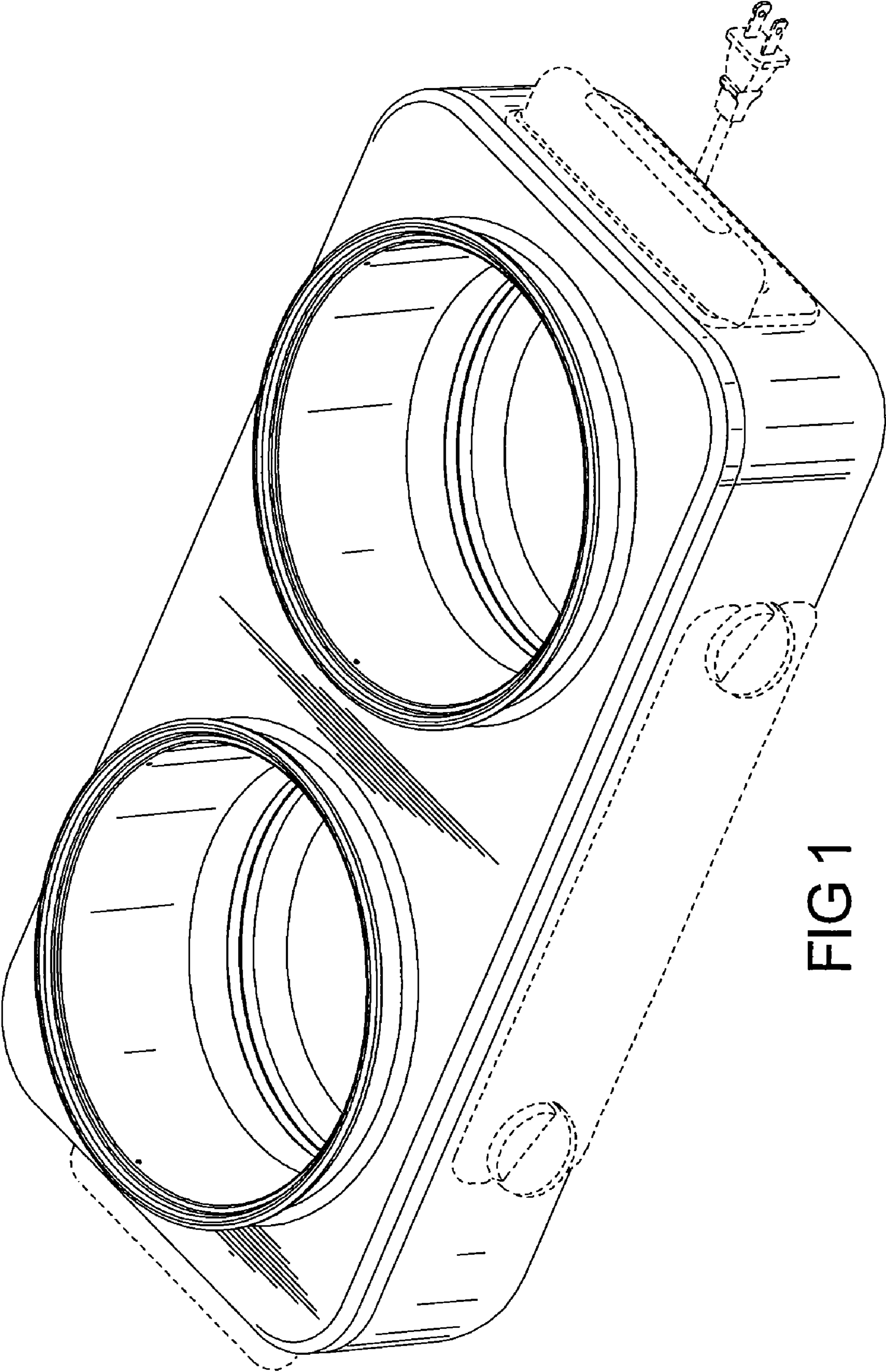


FIG 1

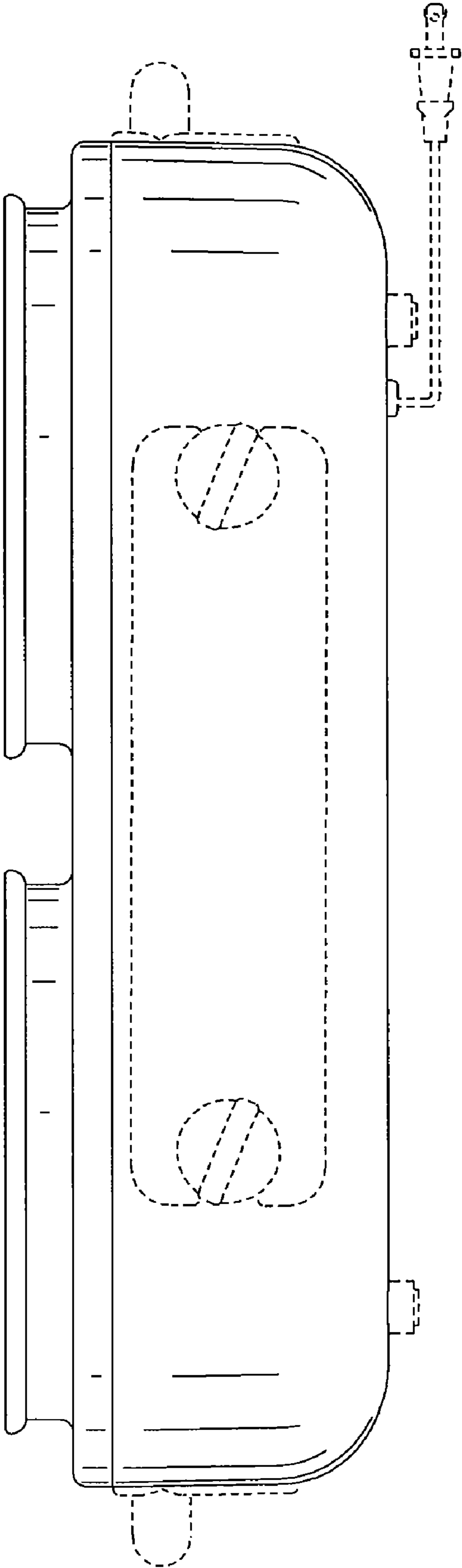


FIG 2

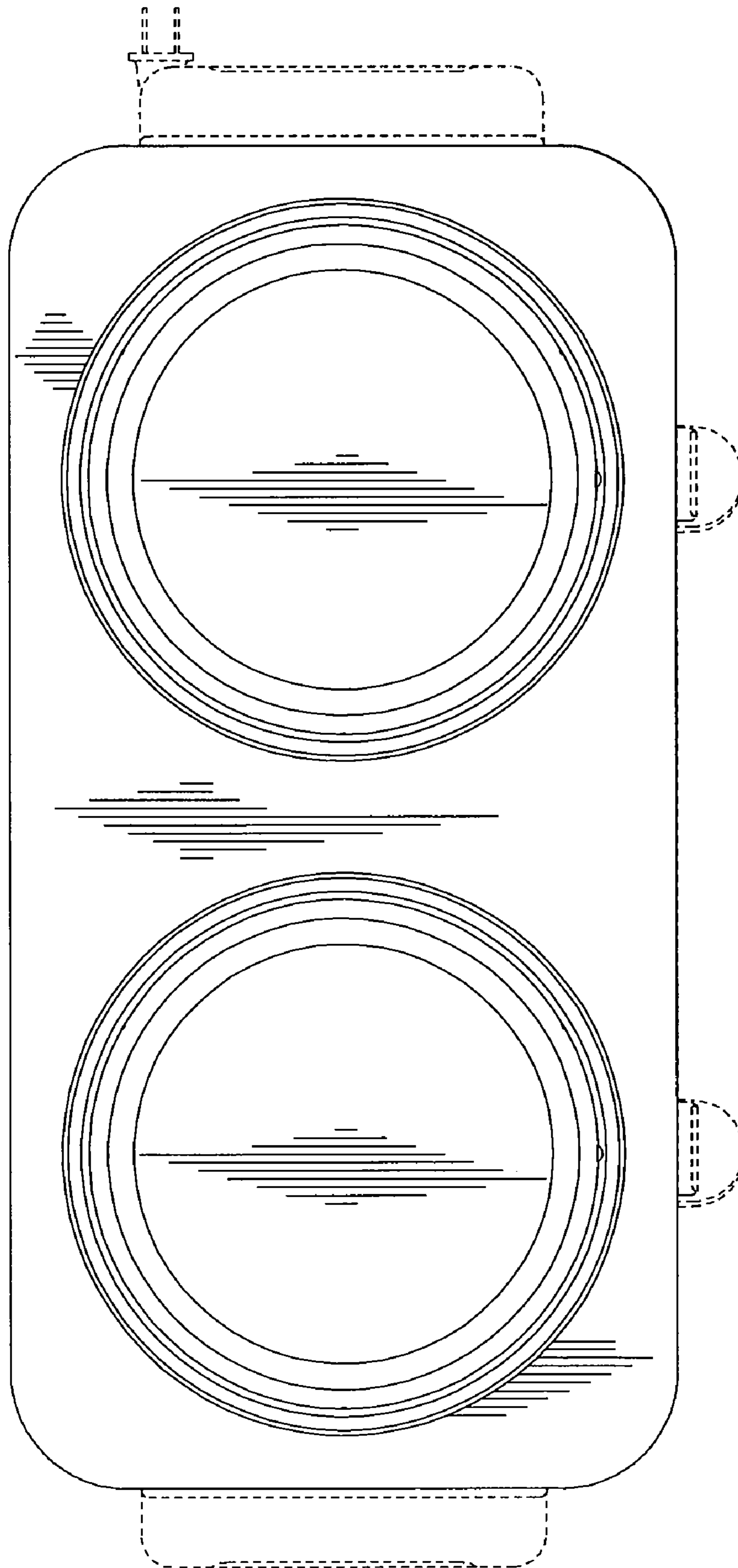


FIG 3

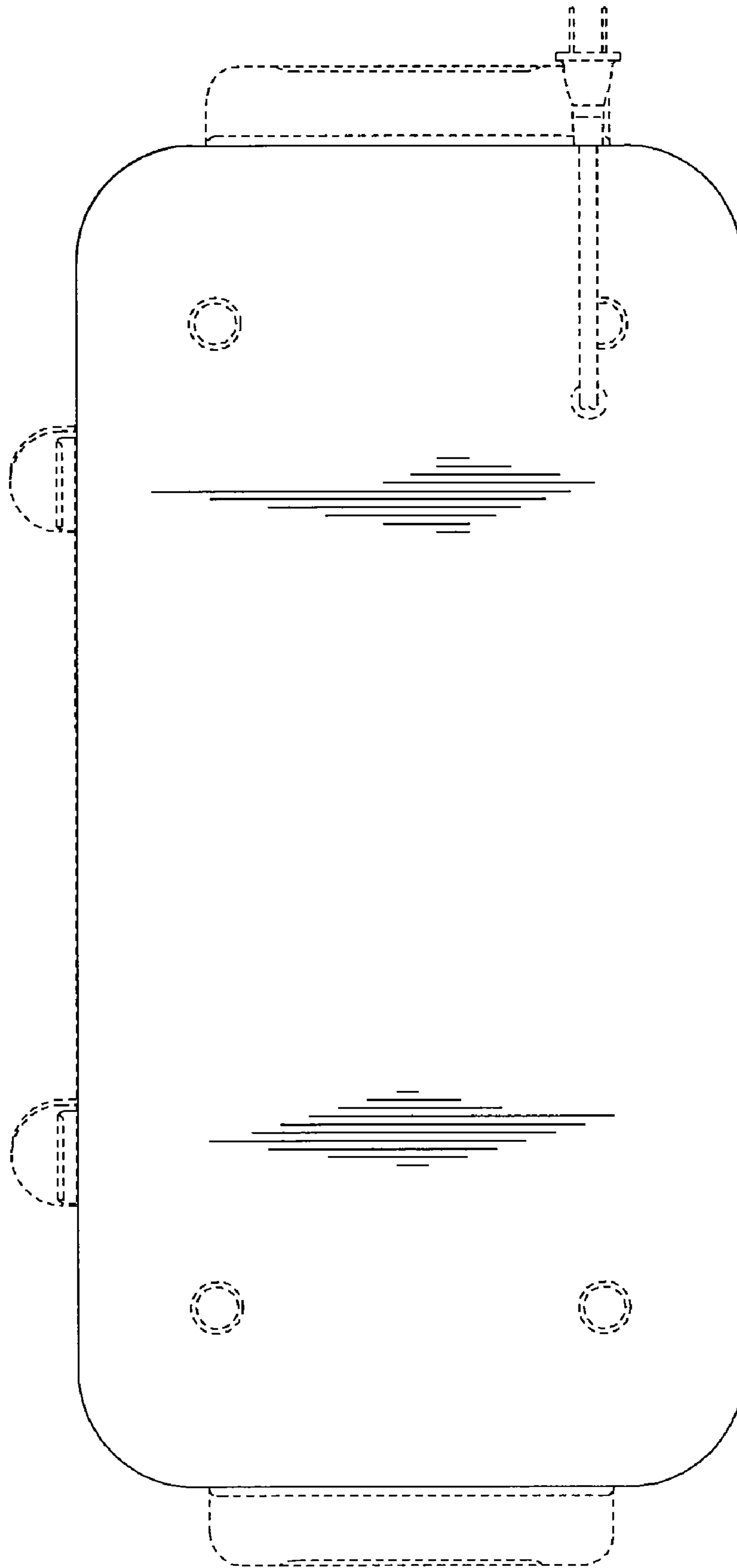


FIG 4

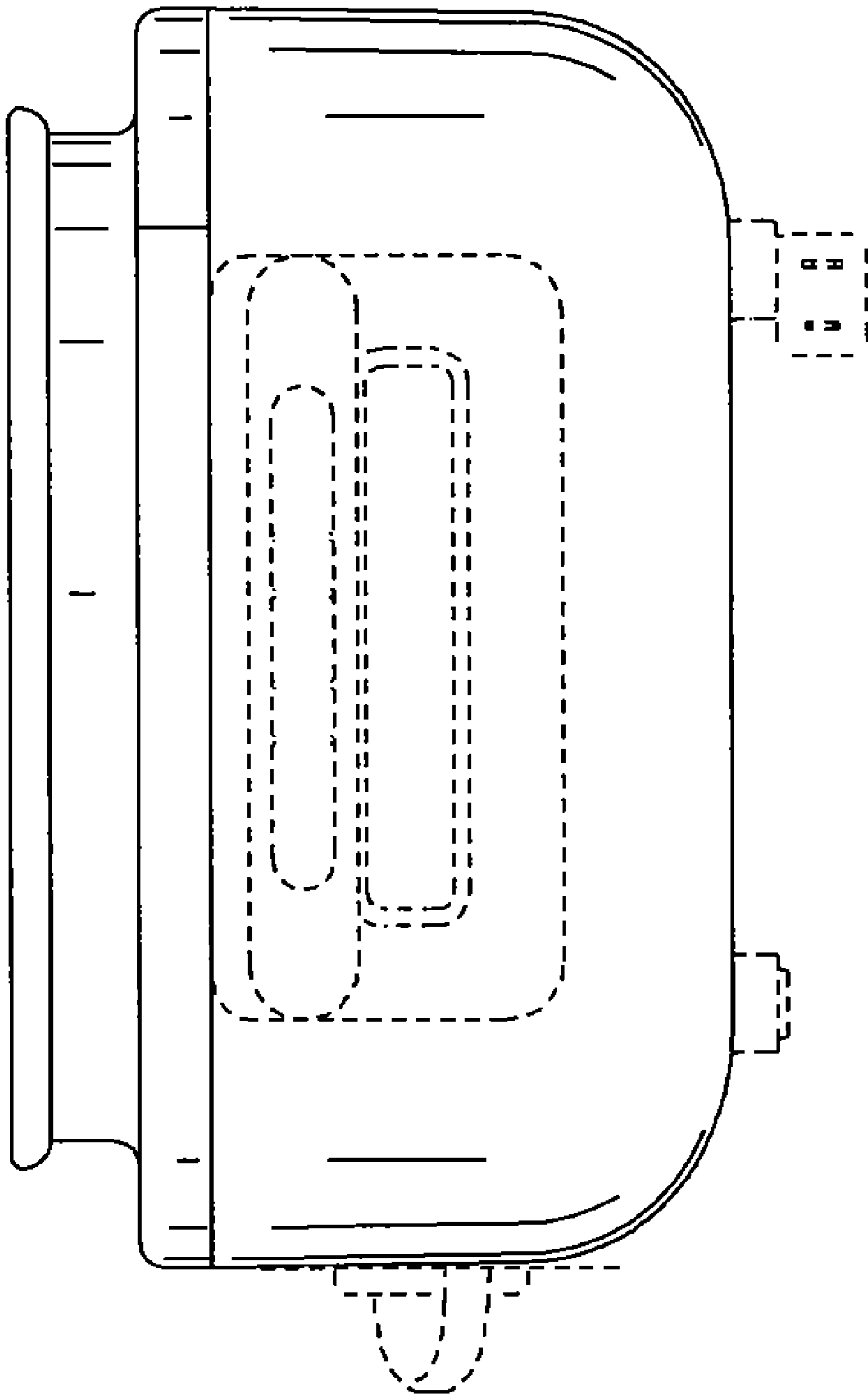


FIG 5

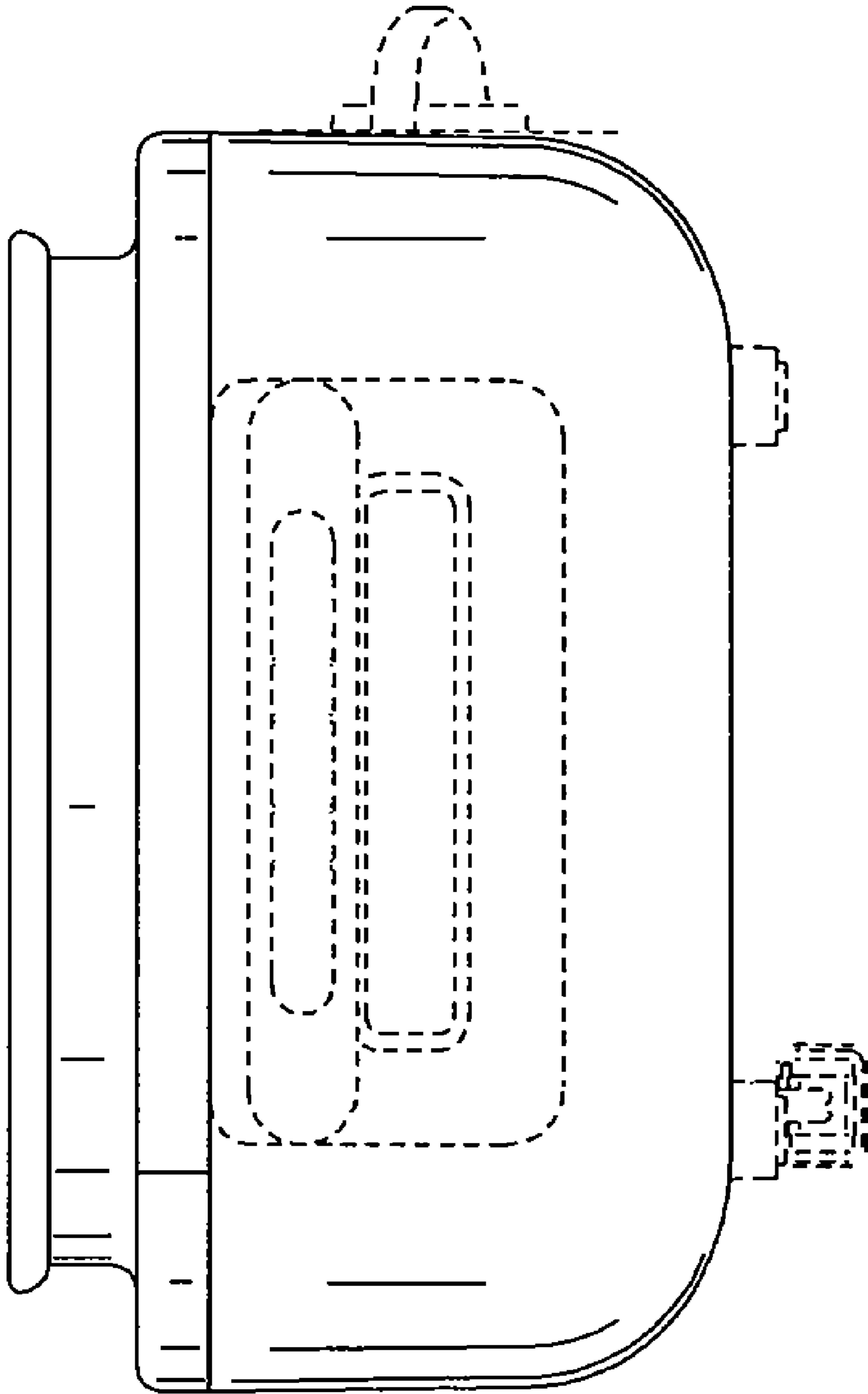


FIG 6

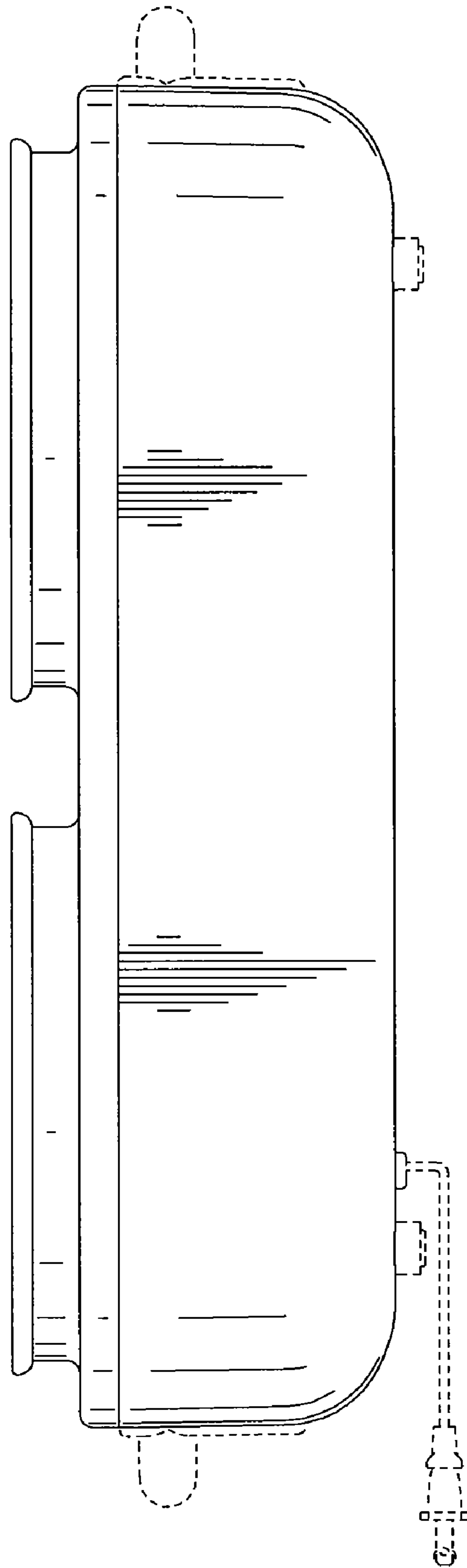


FIG 7