



US00D617132S

(12) **United States Design Patent**
Wang

(10) **Patent No.:** **US D617,132 S**
(45) **Date of Patent:** **** Jun. 8, 2010**

(54) **WATER COOLER**

(75) Inventor: **Chun Yen Wang**, El Paso, TX (US)

(73) Assignee: **MTN Products, Inc.**, Pamoona, CA (US)

(**) Term: **14 Years**

(21) Appl. No.: **29/343,094**

(22) Filed: **Sep. 8, 2009**

(51) **LOC (9) Cl.** **07-01**

(52) **U.S. Cl.** **D7/306; D7/313; D7/311**

(58) **Field of Classification Search** **D7/300,**
D7/306-311, 312, 313; 222/185.1, 146.6

See application file for complete search history.

(56) **References Cited**

U.S. PATENT DOCUMENTS

1,241,352 A	1/1917	Doering et al.
1,248,705 A	12/1917	Pogue
1,319,376 A	4/1919	Cooper
1,337,206 A	4/1920	Doering et al.
1,960,604 A	5/1933	Van Fleet
1,933,192 A	10/1933	Taylor
1,948,644 A	2/1934	Blood et al.
1,976,007 A	10/1934	Cullen et al.
2,057,238 A	10/1936	Krug
2,072,629 A	3/1937	Fernholz
2,689,669 A	9/1954	Ericson
2,811,272 A	10/1957	Lawlor
3,033,247 A	5/1962	Beall, Jr.
3,193,143 A	7/1965	Maieli
3,207,190 A	9/1965	Silbereis et al.
3,341,073 A	9/1967	Arps et al.
3,540,402 A	11/1970	Kocher
3,606,096 A	9/1971	Campbell
3,768,501 A	10/1973	Elson et al.
3,774,658 A	11/1973	Abramoska, Jr.
3,802,606 A	4/1974	Gust
3,843,021 A	10/1974	Schieser
3,892,235 A	7/1975	Van Amerongen et al.
3,893,599 A	7/1975	Birell
3,920,149 A	11/1975	Fortino et al.

3,966,093 A	6/1976	Frahm et al.
3,973,602 A	8/1976	Kruse
3,974,863 A	8/1976	Frahm et al.
3,993,218 A	11/1976	Reichenberger

(Continued)

OTHER PUBLICATIONS

Home Springs Photos (14 images); http://henry-design.com/temp/mtn0503/060406_home_spring_photos/index.html.

(Continued)

Primary Examiner—Marianne Pandozzi
(74) *Attorney, Agent, or Firm*—Michael P. Mazza LLC

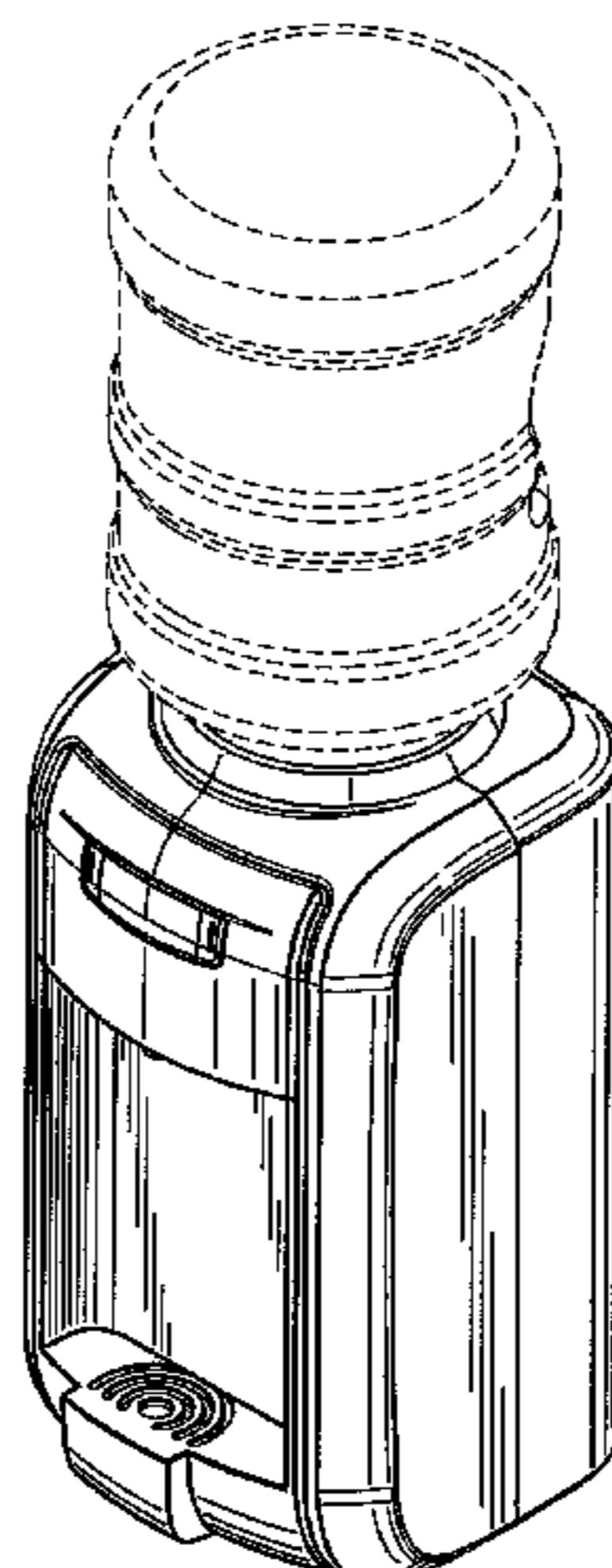
(57) **CLAIM**

I claim the ornamental design for the water cooler, as shown and described in the drawings.

DESCRIPTION

FIG. 1 is a front and side perspective view of one preferred embodiment of the water cooler of the present invention;
FIG. 2 is a front perspective view of the water cooler shown in FIG. 1;
FIG. 3 is a top-front perspective view of the water cooler shown in FIG. 1;
FIG. 4 is a left-side perspective view of the water cooler shown in FIG. 1;
FIG. 5 is a rear perspective view of the water cooler shown in FIG. 1; and,
FIG. 6 is a top-rear perspective view of the water cooler shown in FIG. 1.

1 Claim, 2 Drawing Sheets



US D617,132 S

Page 2

U.S. PATENT DOCUMENTS

4,124,146	A	11/1978	Sealfon	
4,137,930	A	2/1979	Scholle	
4,239,130	A	12/1980	Altadonna	
4,244,467	A	1/1981	Cavazza	
4,267,945	A	5/1981	Maynard	
4,356,848	A	11/1982	Spies	
4,421,146	A	12/1983	Bond et al.	
4,444,340	A	4/1984	Bond et al.	
4,445,551	A	5/1984	Bond et al.	
4,597,423	A	7/1986	Chenot	
4,699,188	A	10/1987	Baker et al.	
4,711,380	A	12/1987	Ulm	
4,717,051	A	1/1988	Leclerc	
4,722,463	A	2/1988	Anderson	
4,793,514	A	12/1988	Sheets	
4,834,267	A	5/1989	Schroer et al.	
4,846,236	A	7/1989	Deruntz	
4,874,023	A	10/1989	Ulm	
4,898,308	A	2/1990	Rudick	
4,902,320	A	2/1990	Schroer	
D308,794	S *	6/1990	Larson D7/307
4,972,976	A	11/1990	Romero	
4,991,635	A	2/1991	Ulm	
5,031,676	A	7/1991	Ulm	
D322,534	S *	12/1991	Chaney D7/306
5,121,778	A	6/1992	Baker et al.	
5,133,482	A	7/1992	Burrows et al.	
5,213,309	A	5/1993	Makishima	
5,222,530	A	6/1993	Baker et al.	
5,222,531	A	6/1993	Baker et al.	
5,232,125	A	8/1993	Adams	
5,259,534	A	11/1993	Lynd	
5,273,083	A	12/1993	Burrows	
5,289,854	A	3/1994	Baker et al.	
5,289,855	A	3/1994	Baker et al.	
5,295,518	A	3/1994	Baker et al.	
5,295,519	A	3/1994	Baker et al.	
5,337,922	A	8/1994	Salkeld et al.	
D350,453	S *	9/1994	Chaney D7/306
5,395,590	A	3/1995	Swaniger	
5,413,152	A	5/1995	Burrows	

5,431,205	A	7/1995	Gebhard	
5,454,409	A	10/1995	McAffer et al.	
5,464,127	A	11/1995	Burrows	
D367,797	S *	3/1996	Hauser et al. D7/307
5,526,961	A	6/1996	Burrows	
5,533,651	A	7/1996	Eddy et al.	
5,647,416	A	7/1997	Desrosiers et al.	
5,653,270	A	8/1997	Burrows	
5,676,278	A	10/1997	Bevers et al.	
5,711,380	A	1/1998	Chen	
D394,185	S *	5/1998	Eddy et al. D7/392
D399,088	S *	10/1998	Chaney D7/307
5,848,735	A	12/1998	Eddy et al. 222/185.1
5,927,557	A *	7/1999	Busick et al. 222/185.1
5,957,316	A	9/1999	Hidding et al.	
6,029,860	A	2/2000	Donselman	
D432,847	S *	10/2000	Smith D7/306
6,167,921	B1	1/2001	Busick et al.	
D498,969	S *	11/2004	Nicol D7/306
6,912,867	B2 *	7/2005	Busick 62/338
D539,588	S *	4/2007	Picache D6/610
D554,930	S *	11/2007	Lavy D7/307
D555,415	S *	11/2007	Lin D7/309
D571,141	S *	6/2008	Roosmalen et al. D7/307
D582,194	S *	12/2008	Wang D7/313
D585,690	S *	2/2009	Dammkoehler D7/307
D604,554	S *	11/2009	Lippert et al. D7/306

OTHER PUBLICATIONS

Ebac Eddy Water Cooler; http://www.freenet.ltd.uk/ebac_eddy.asp.
 Ebac Eddy Water Cooler for the Home: Discount Store UK.; Ebac Eddy is a Refreshing New Way to Enjoy a Healthy Lifestyle; http://www.freenet.ltd.u/ebac_eddy.asp.
 Watercoolers—Ebac Limited—Group Website. Manufacturer of dehumidifiers and water . . . ; Ebac Group; Watercoolers; <http://www.ebacgroup.com/?pae=21>.
 Latest News—Ebac Limited—Group Website. Manufacturer of dehumidifiers and water c . . . ; Ebac Group; Latest News; Ebac enters point of use market; <http://www.ebacgroup.com/?page=36&art=22>.
 Home Spring Photos (14 images); http://henry-design.com/temp/mtn0503/060406_home_spring_photos/index.html.

* cited by examiner

Fig. 1

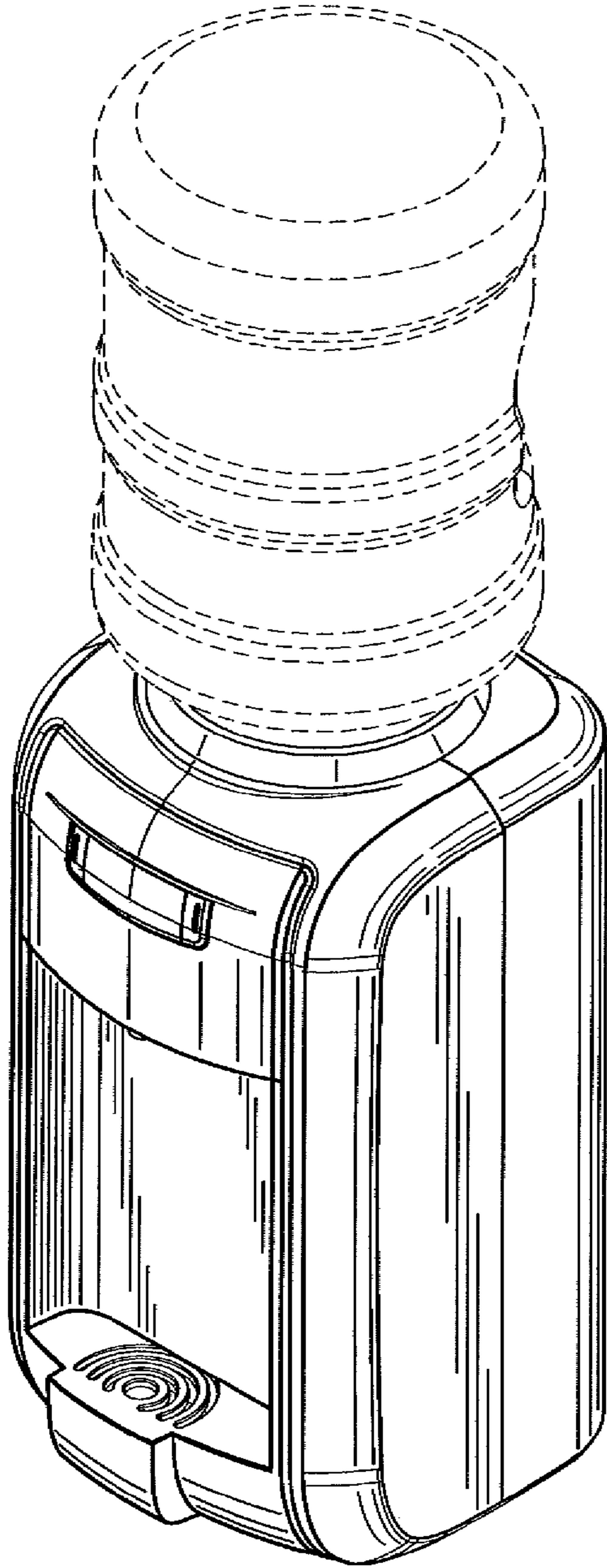


Fig. 2

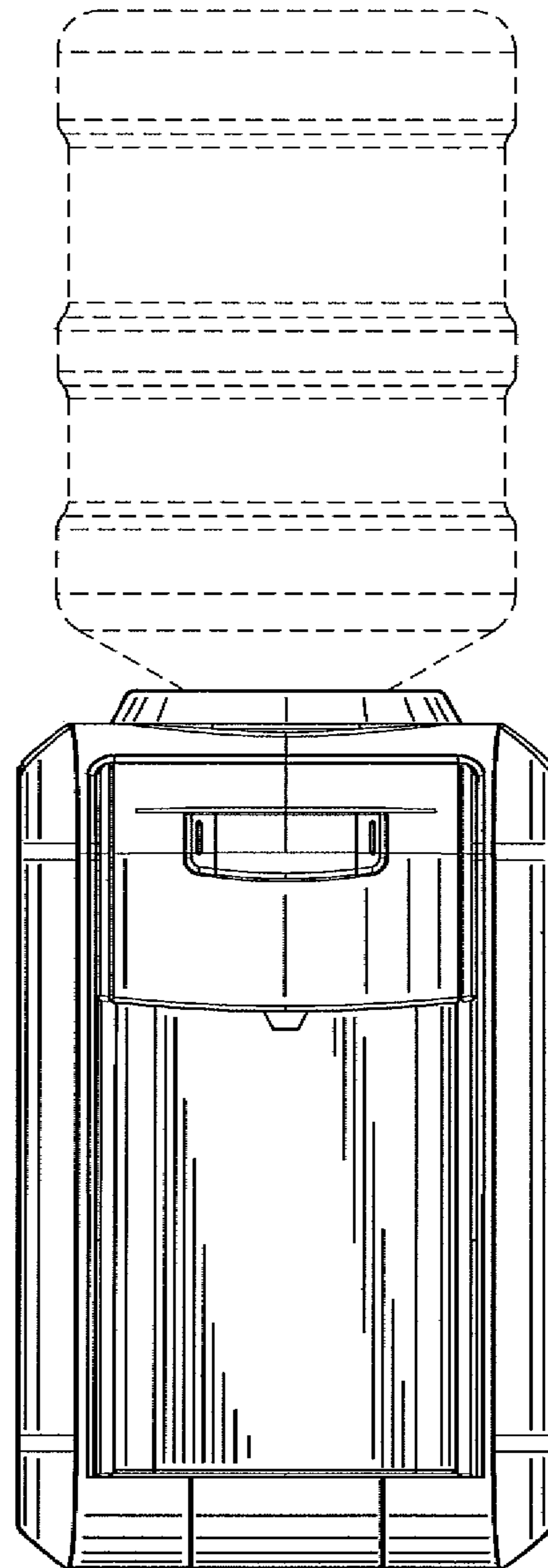


Fig. 3

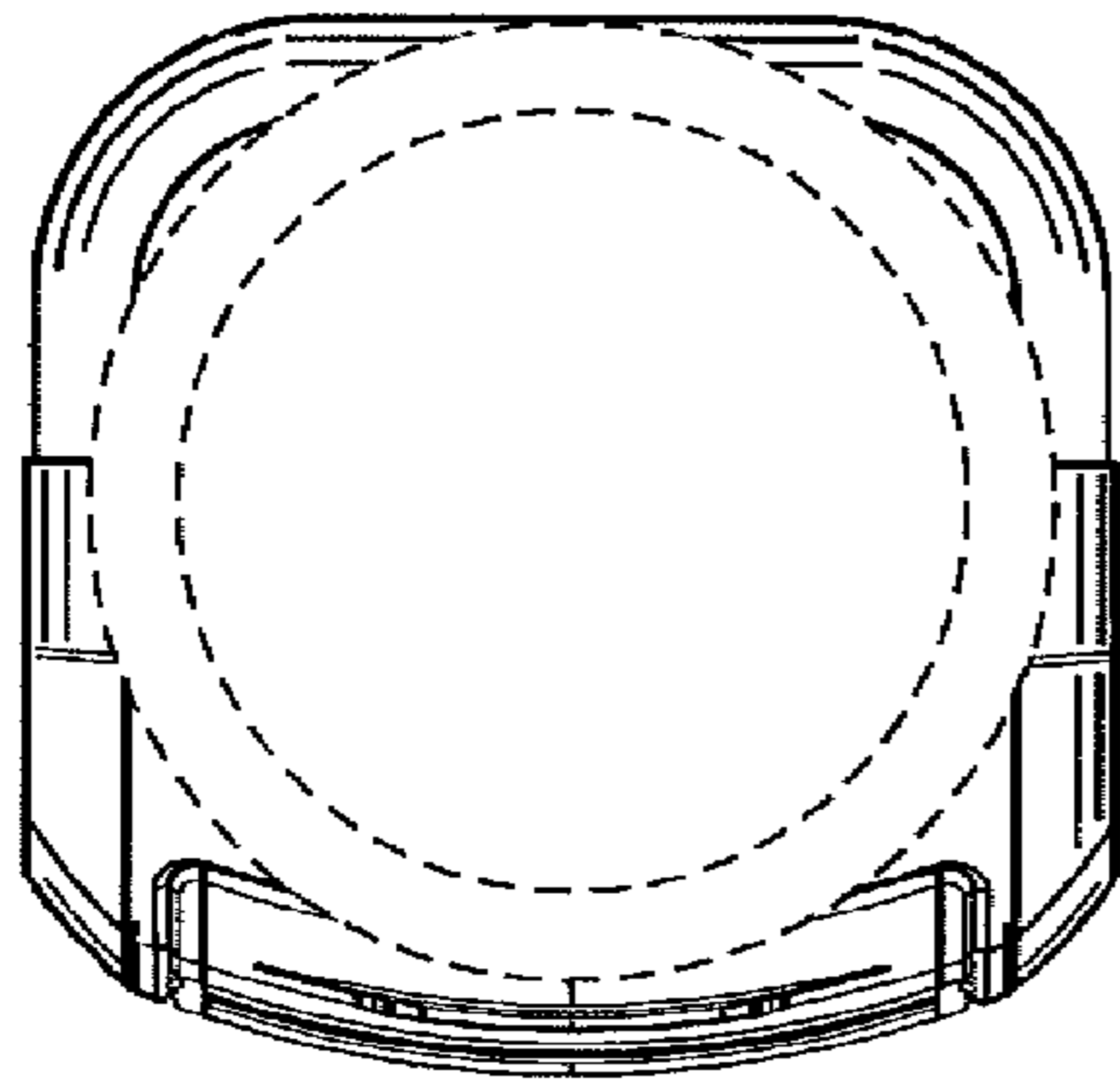


Fig. 4

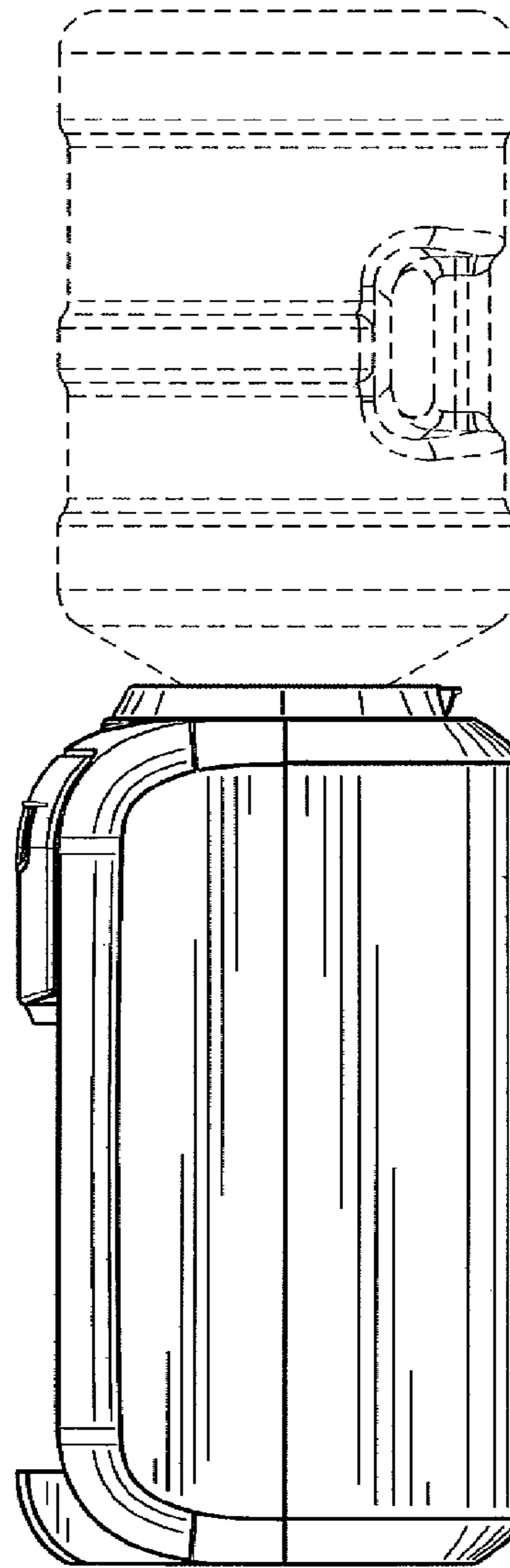


Fig. 5

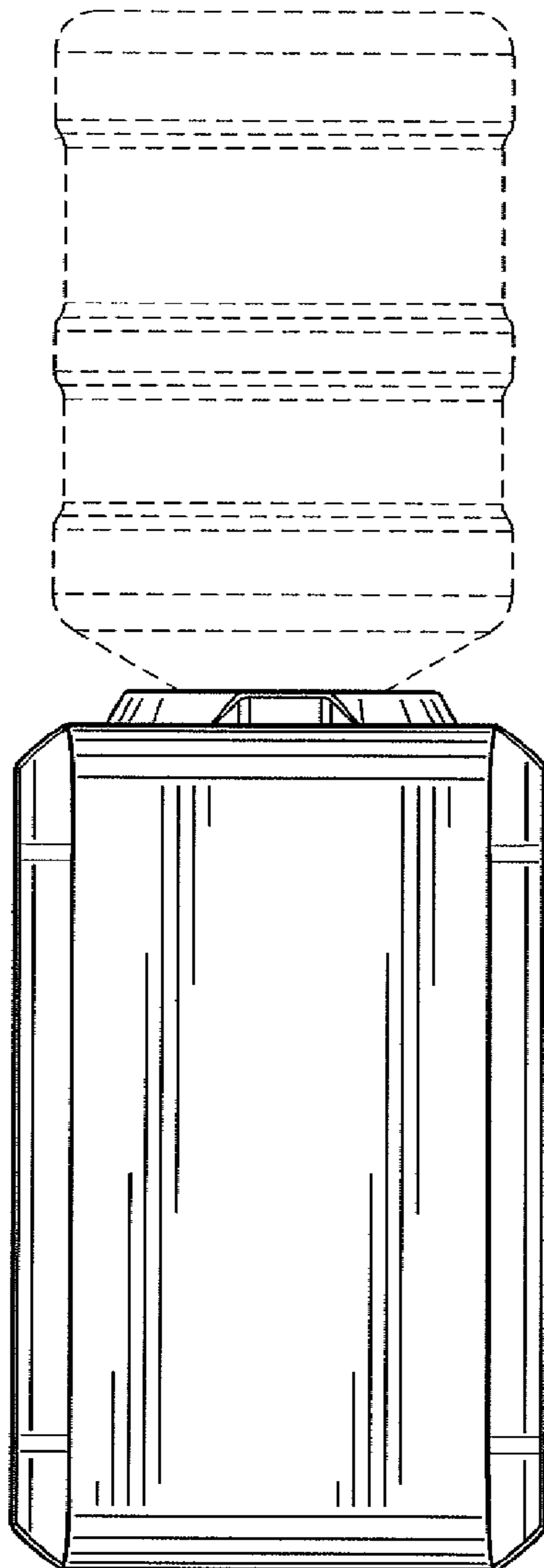


Fig. 6

