



US00D617128S

(12) **United States Design Patent**
Guindi

(10) **Patent No.:** **US D617,128 S**

(45) **Date of Patent:** **** Jun. 8, 2010**

(54) **SHOWER CADDY**

D557,050 S * 12/2007 Dretzka D6/525
D575,087 S * 8/2008 Ghiorghie D6/525

(75) Inventor: **Henry V. Guindi**, Brooklyn, NY (US)

* cited by examiner

(73) Assignee: **HDS Trading Corp**, North Brunswick, NJ (US)

Primary Examiner—Brian N Vinson
(74) *Attorney, Agent, or Firm*—Rankin, Hill & Clark LLP

(**) Term: **14 Years**

(57) **CLAIM**

(21) Appl. No.: **29/344,411**

The ornamental design for a shower caddy, as shown and described.

(22) Filed: **Sep. 29, 2009**

(51) **LOC (9) Cl.** **23-02**

(52) **U.S. Cl.** **D6/525**

(58) **Field of Classification Search** D6/524,
D6/525, 566, 536, 540; 211/13.1, 74, 71.01,
211/86.01, 75, 88.01, 90.01, 90.03, 106,
211/119, 126.1, 133.5, 181.1, 134
See application file for complete search history.

DESCRIPTION

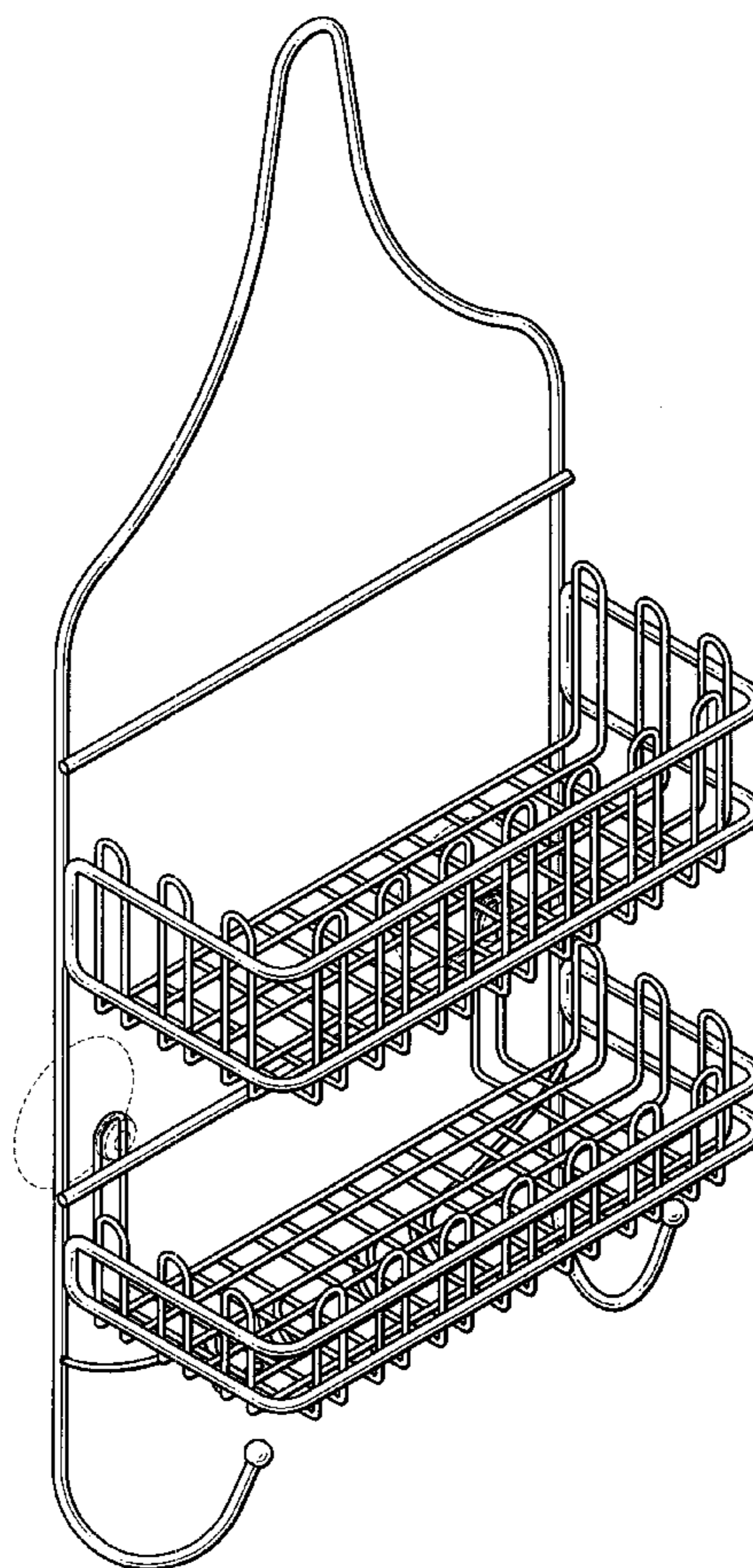
FIG. 1 is a front left perspective view of a shower caddy.
FIG. 2 is a front elevational view of the shower caddy of FIG. 1.
FIG. 3 is a left side view of the shower caddy of FIG. 1.
FIG. 4 is a rear elevational view of the shower caddy of FIG. 1.
FIG. 5 is a top plan view of the shower caddy of FIG. 1; and,
FIG. 6 is a bottom plan view of the shower caddy of FIG. 1.
The dash lines in FIGS. 1-6 are for illustrative purposes only showing environmental subject matter and form no part of the claimed designs.

(56) **References Cited**

U.S. PATENT DOCUMENTS

D479,074 S * 9/2003 Snell D6/525
D498,102 S * 11/2004 Snell D6/525
D512,861 S * 12/2005 Rosen D6/525
D530,551 S * 10/2006 Snell D6/525
D530,948 S * 10/2006 Snell D6/525

1 Claim, 5 Drawing Sheets



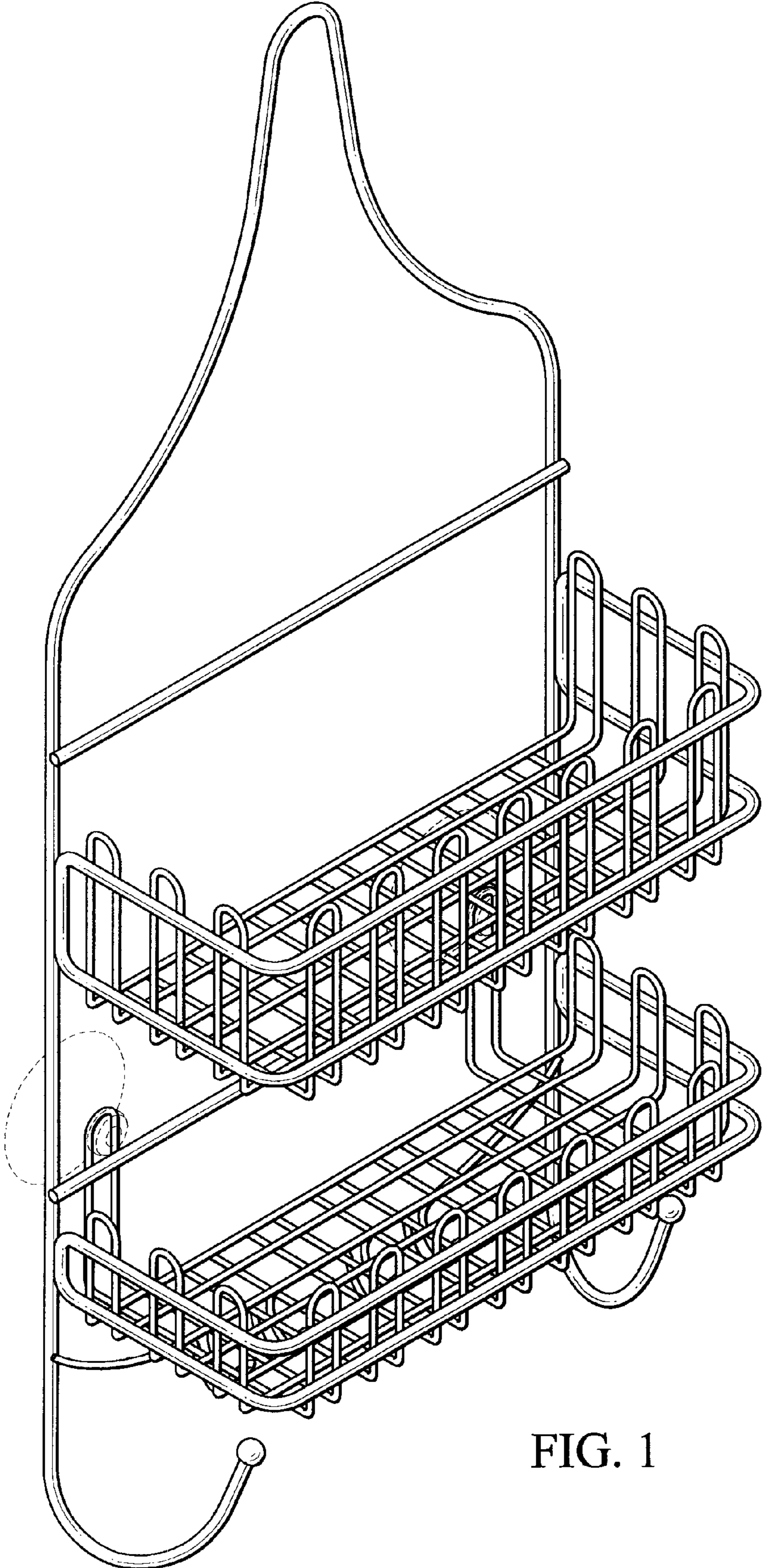


FIG. 1

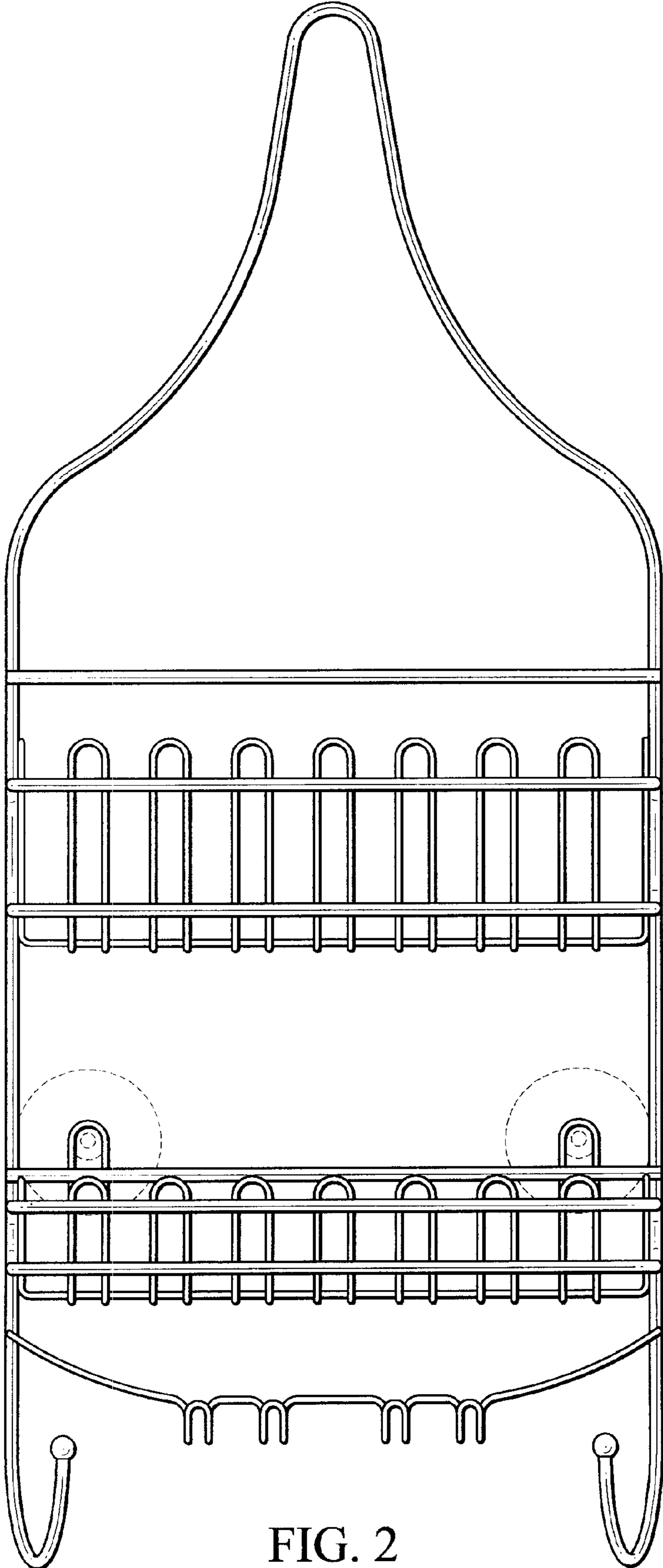


FIG. 2

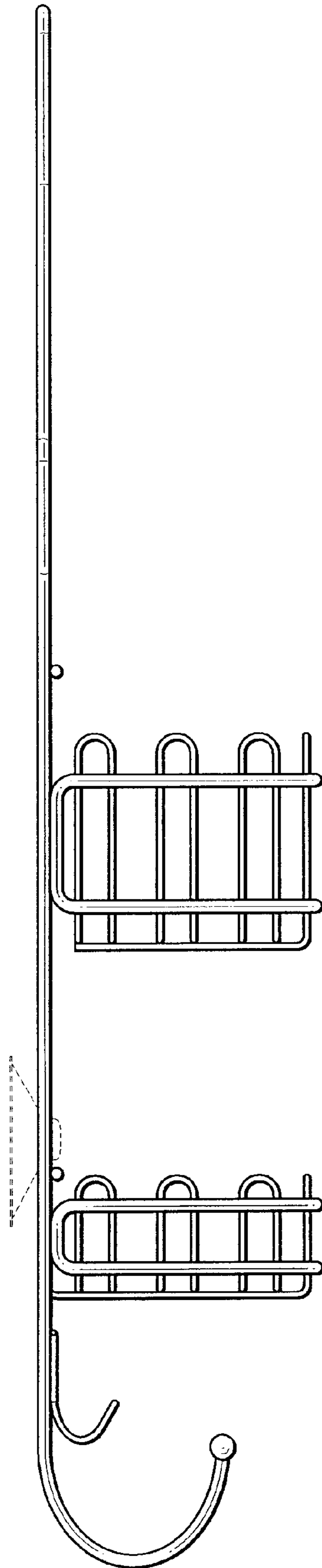


FIG. 3

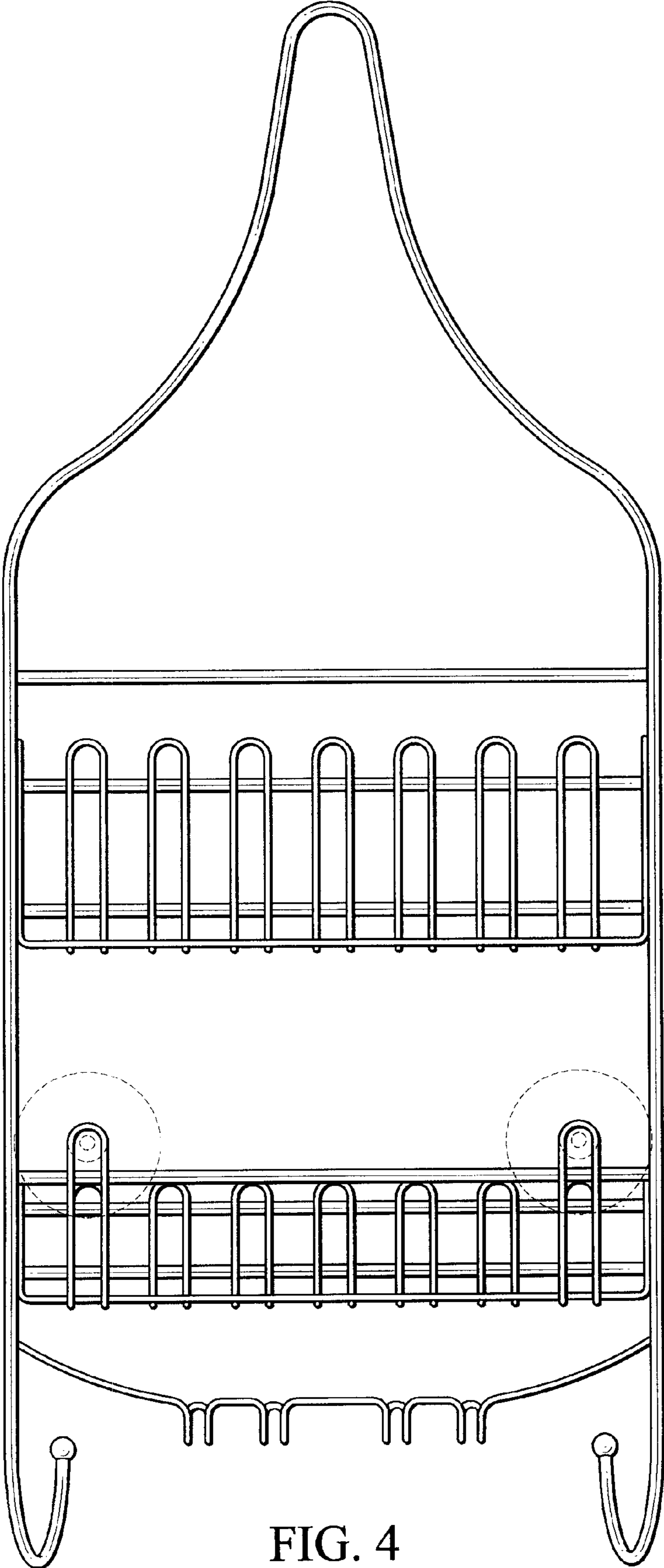


FIG. 4

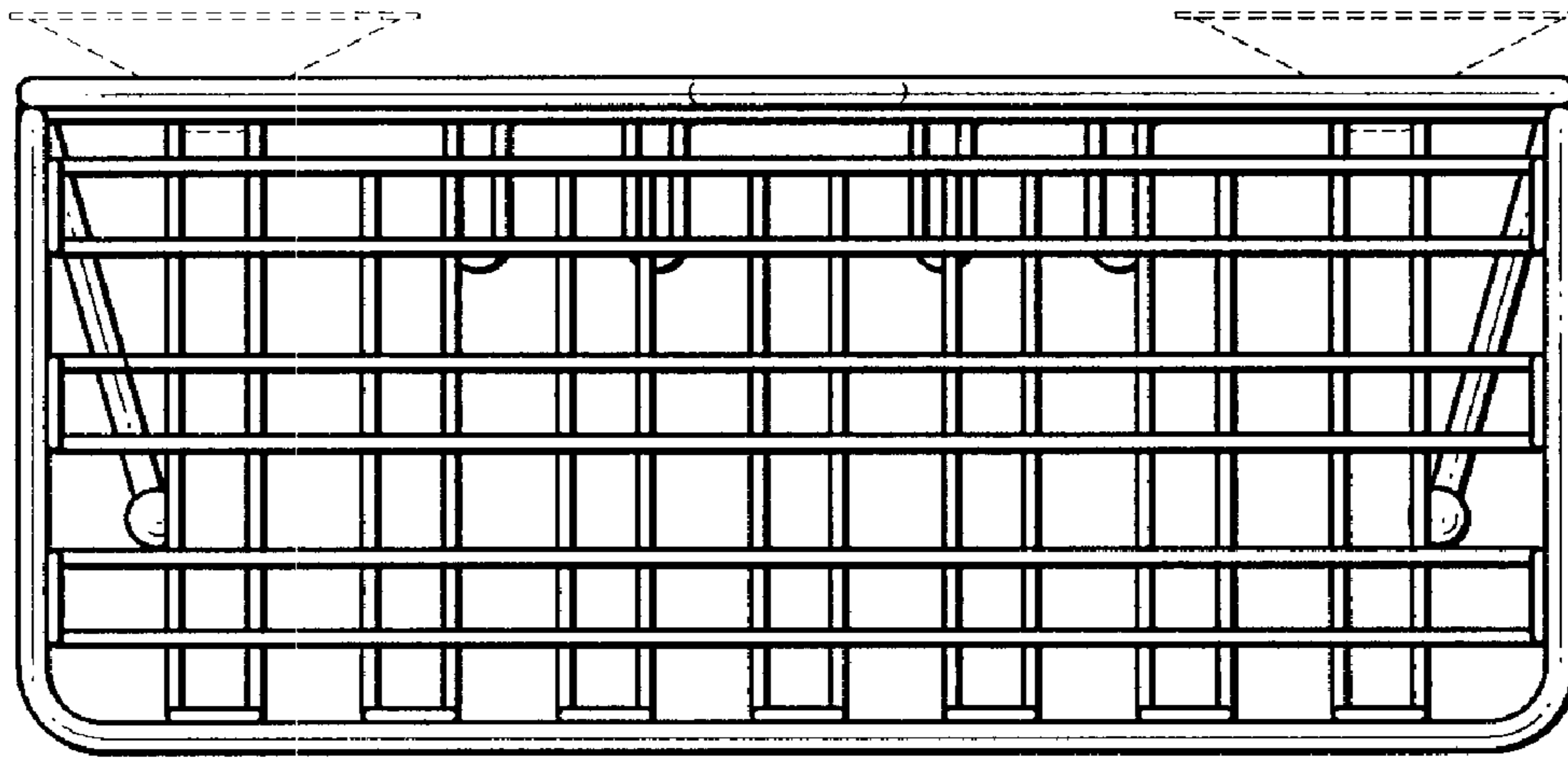


FIG. 5

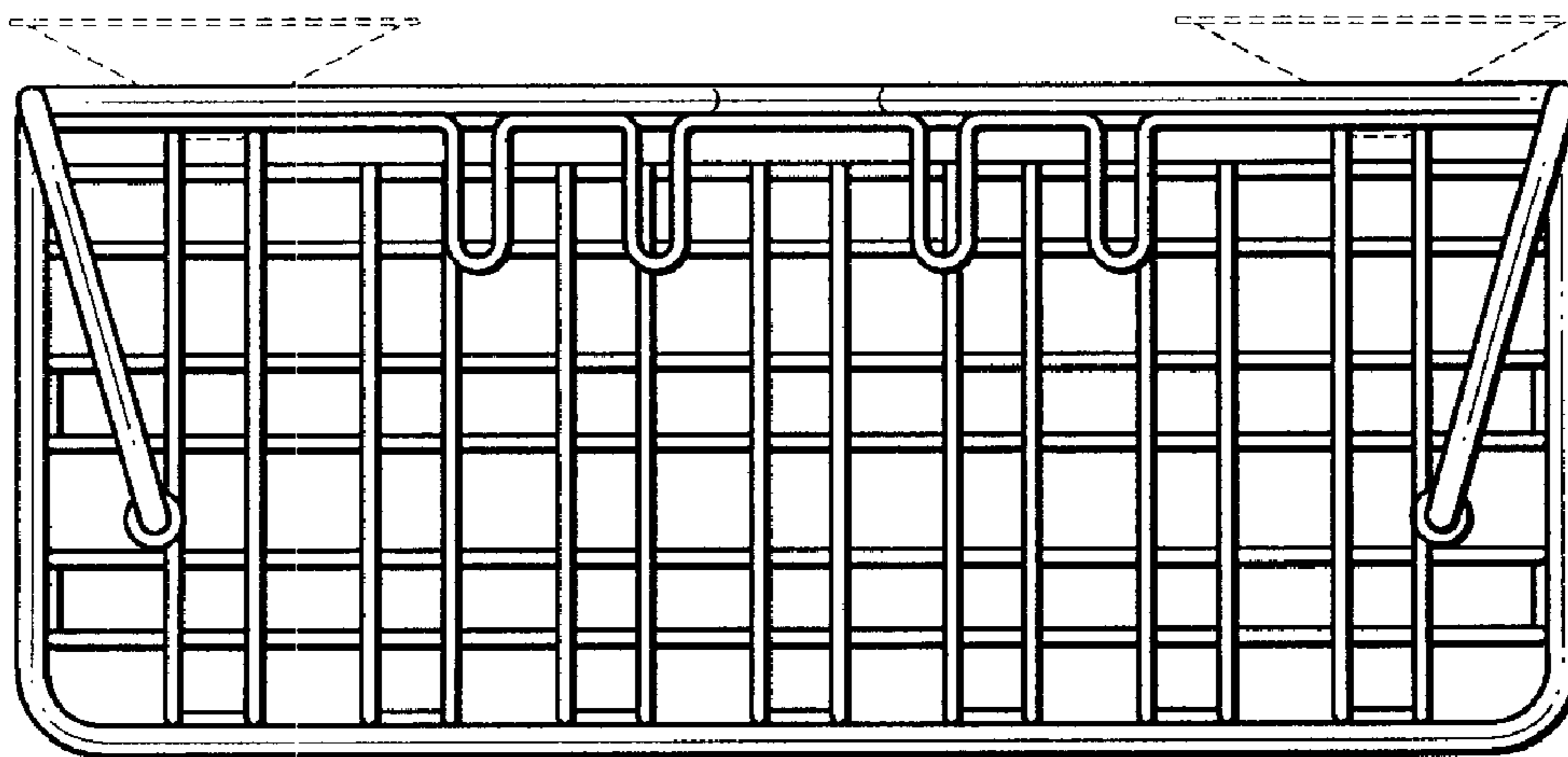


FIG. 6