



US00D617123S

(12) **United States Design Patent**
Glass et al.

(10) **Patent No.:** **US D617,123 S**
(45) **Date of Patent:** **** Jun. 8, 2010**

(54) **DESK TOP SPACER**

(75) Inventors: **Peter Glass**, Arroyo Grande, CA (US);
Robert Mills, Torrance, CA (US)

(73) Assignee: **Virco Mfg. Corporation**, Torrance, CA
(US)

(**) Term: **14 Years**

(21) Appl. No.: **29/343,493**

(22) Filed: **Sep. 14, 2009**

(51) **LOC (9) Cl.** **06-06**

(52) **U.S. Cl.** **D6/491**

(58) **Field of Classification Search** D6/422-428,
D6/491, 509-511; 312/194-196, 239, 279;
108/50.01, 50.02; D7/554.3, 565, 560
See application file for complete search history.

(56) **References Cited**

U.S. PATENT DOCUMENTS

D170,523 S *	10/1953	Brown	D6/427
D184,799 S *	4/1959	Clemens	D6/509
D188,727 S *	8/1960	Lubberts	D6/428
D203,195 S *	12/1965	Hughes, Jr.	D6/428
D207,712 S *	5/1967	Sullivan	D6/422
4,846,018 A	7/1989	Matsumoto et al.		
D304,268 S *	10/1989	Bartlett	D6/428
5,205,631 A	4/1993	Wegman et al.		
5,435,254 A	7/1995	Amey et al.		
D362,573 S *	9/1995	Finlayson et al.	D6/511

D470,346 S *	2/2003	Stanton	D6/483
D519,121 S *	4/2006	Zamanian	D14/447
D532,220 S *	11/2006	Domack et al.	D6/480
D587,924 S *	3/2009	Woods	D6/422

* cited by examiner

Primary Examiner—Janice E Seeger

(74) *Attorney, Agent, or Firm*—Denton L. Anderson; Robert M. Hupe; Sheldon Mak Rose & Anderson

(57) **CLAIM**

The ornamental design for a desk top spacer, as shown and described.

DESCRIPTION

FIG. 1 is a perspective view of a Desk Top Spacer, showing our new design, the broken lines are for environmental purposes only and form no part of the claimed design;

FIG. 2 is a first perspective view of the desk top spacer of the invention;

FIG. 3 is a second perspective view of the spacer illustrated in FIG. 2, the view in FIG. 3 showing the reverse side of the spacer;

FIG. 4 is a top view of the spacer illustrated in FIG. 2;

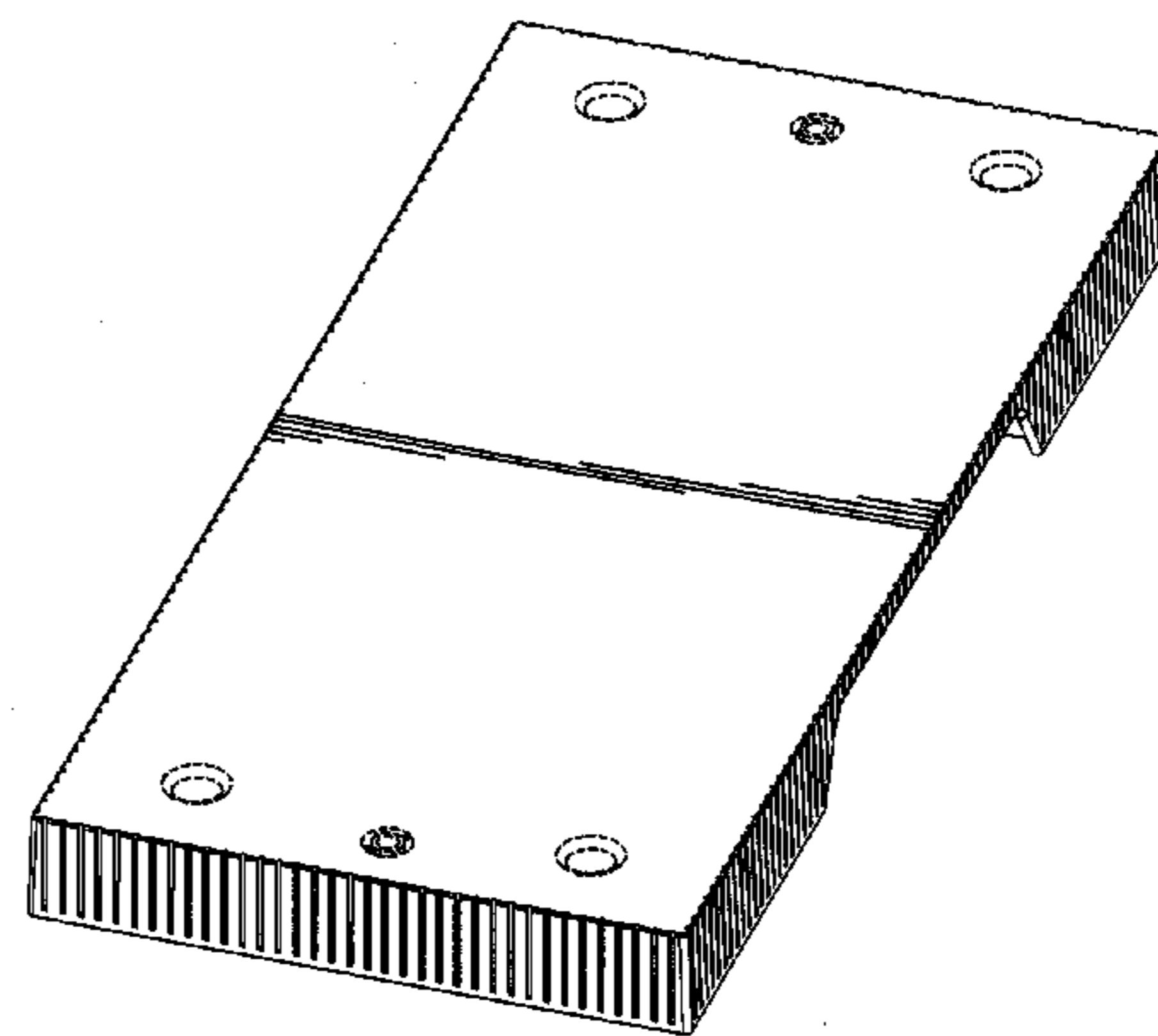
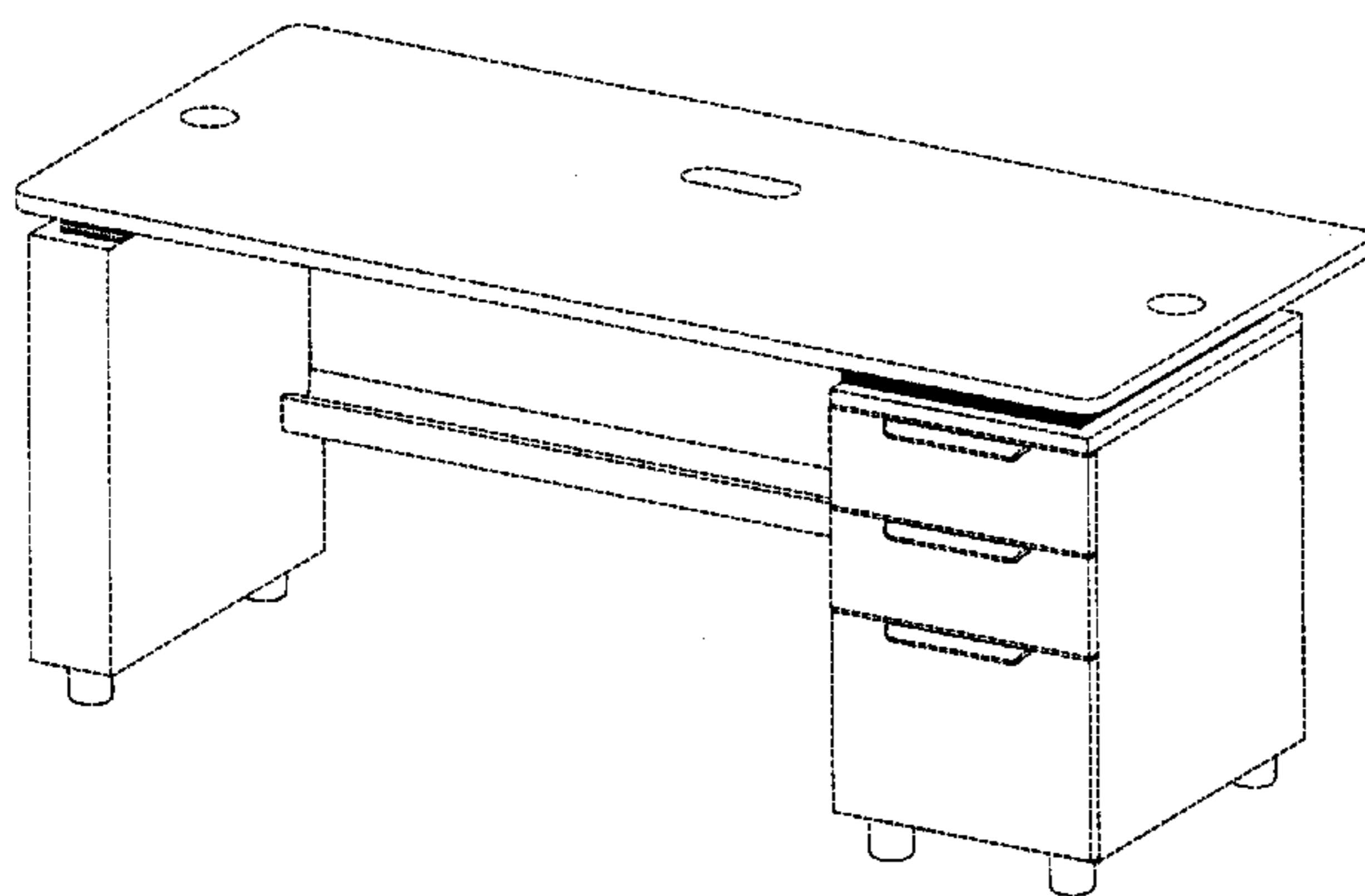
FIG. 5 is a back view of the spacer illustrated in FIG. 2;

FIG. 6 is an end view of the spacer illustrated in FIG. 2;

FIG. 7 is a front view of the spacer illustrated in FIG. 2; and,

FIG. 8 is a bottom view of the spacer illustrated in FIG. 2.

1 Claim, 5 Drawing Sheets



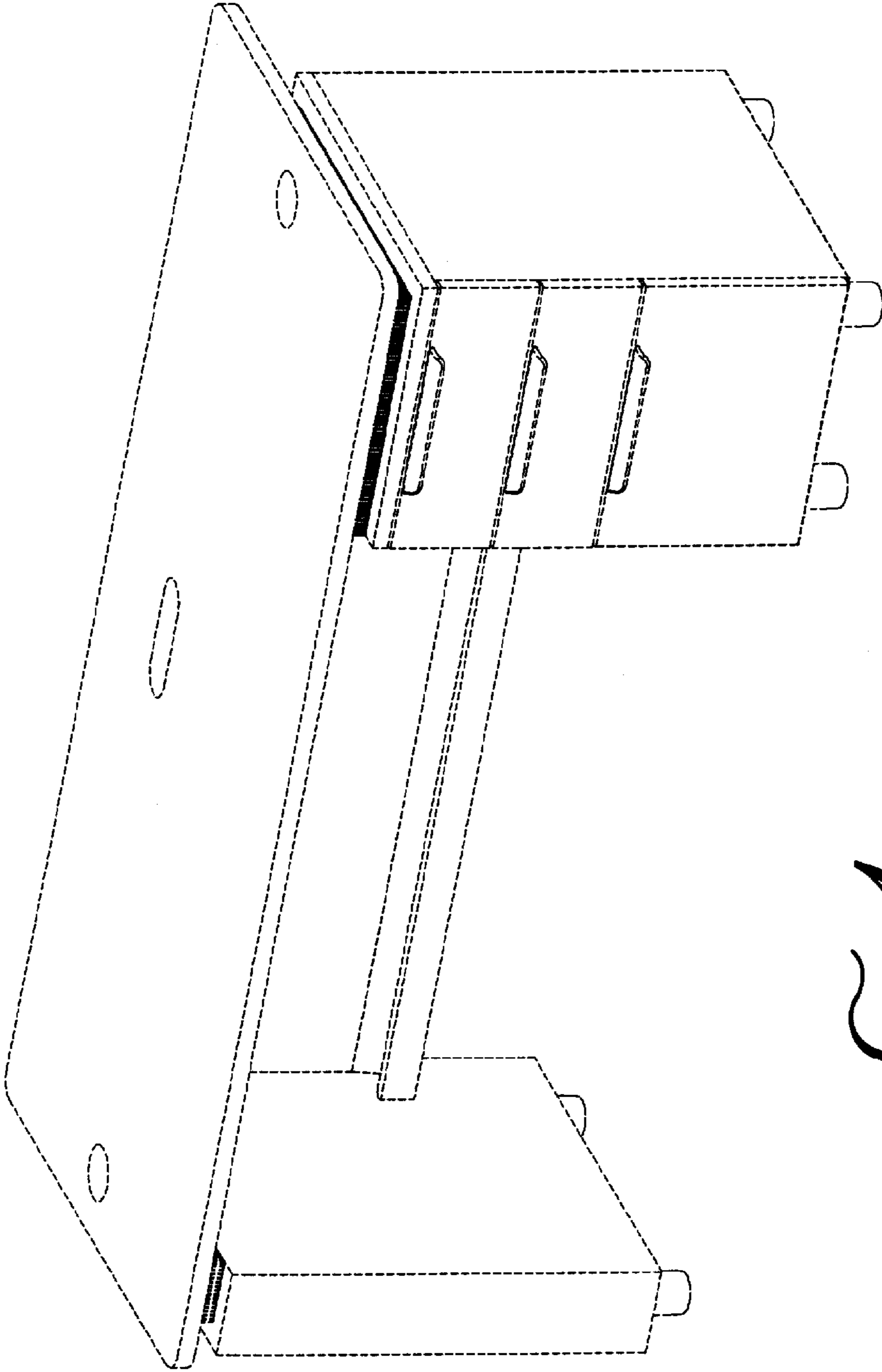
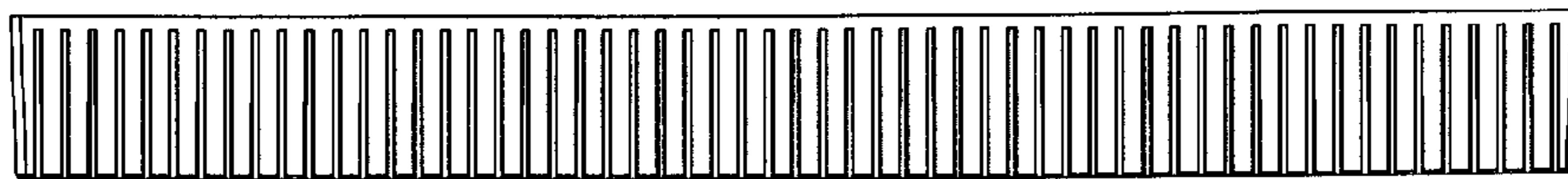
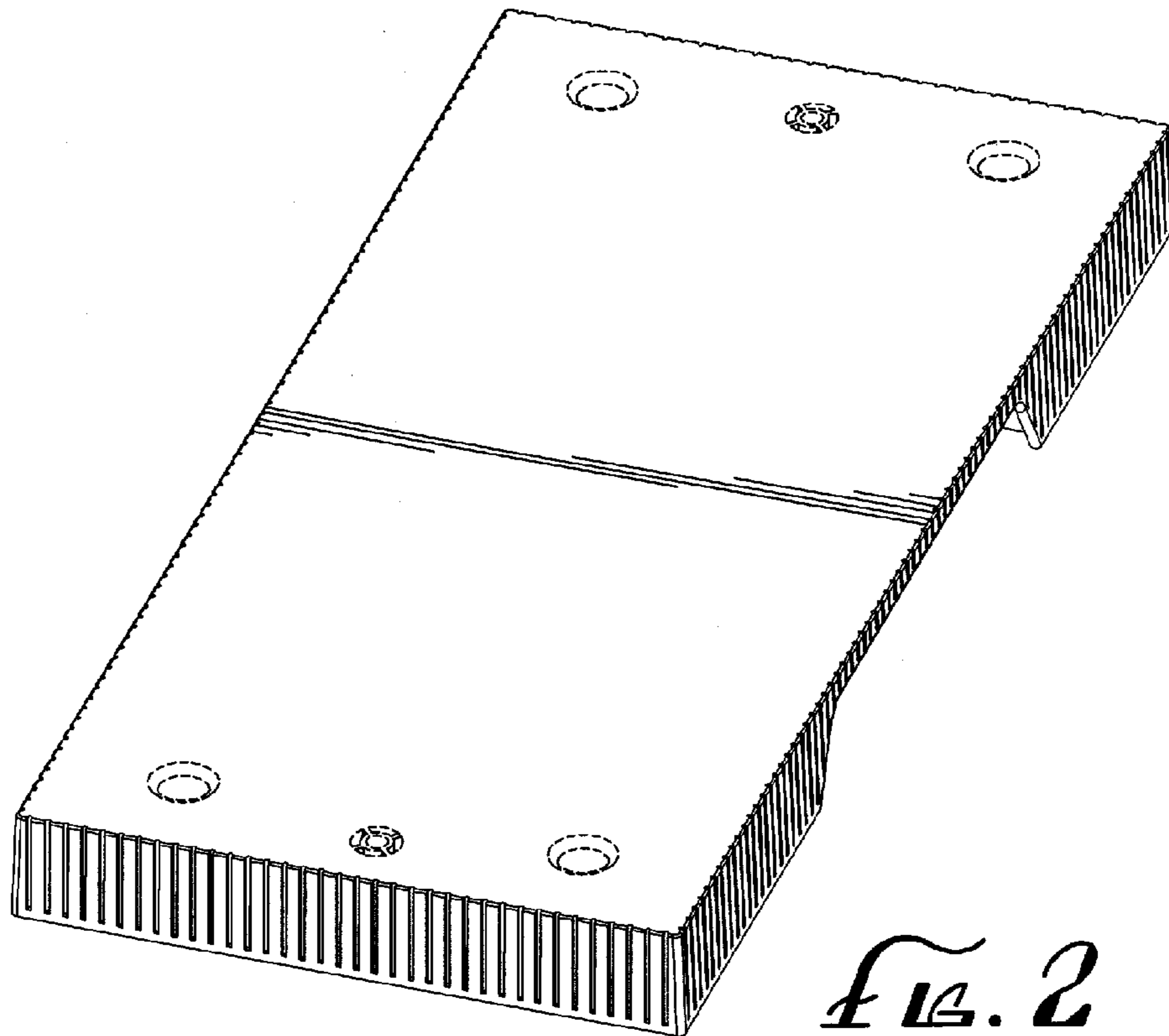


FIG. 1



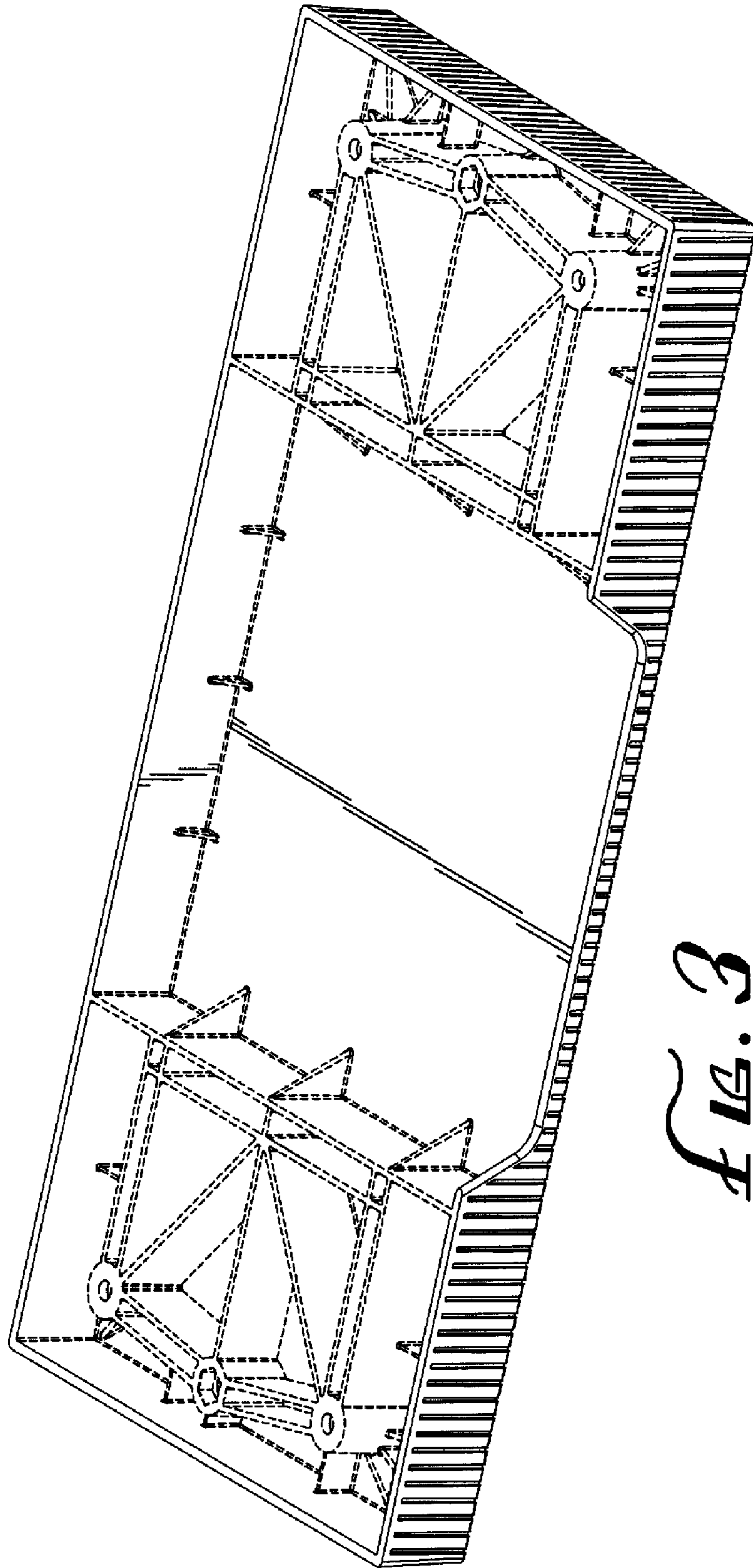


Fig. 3

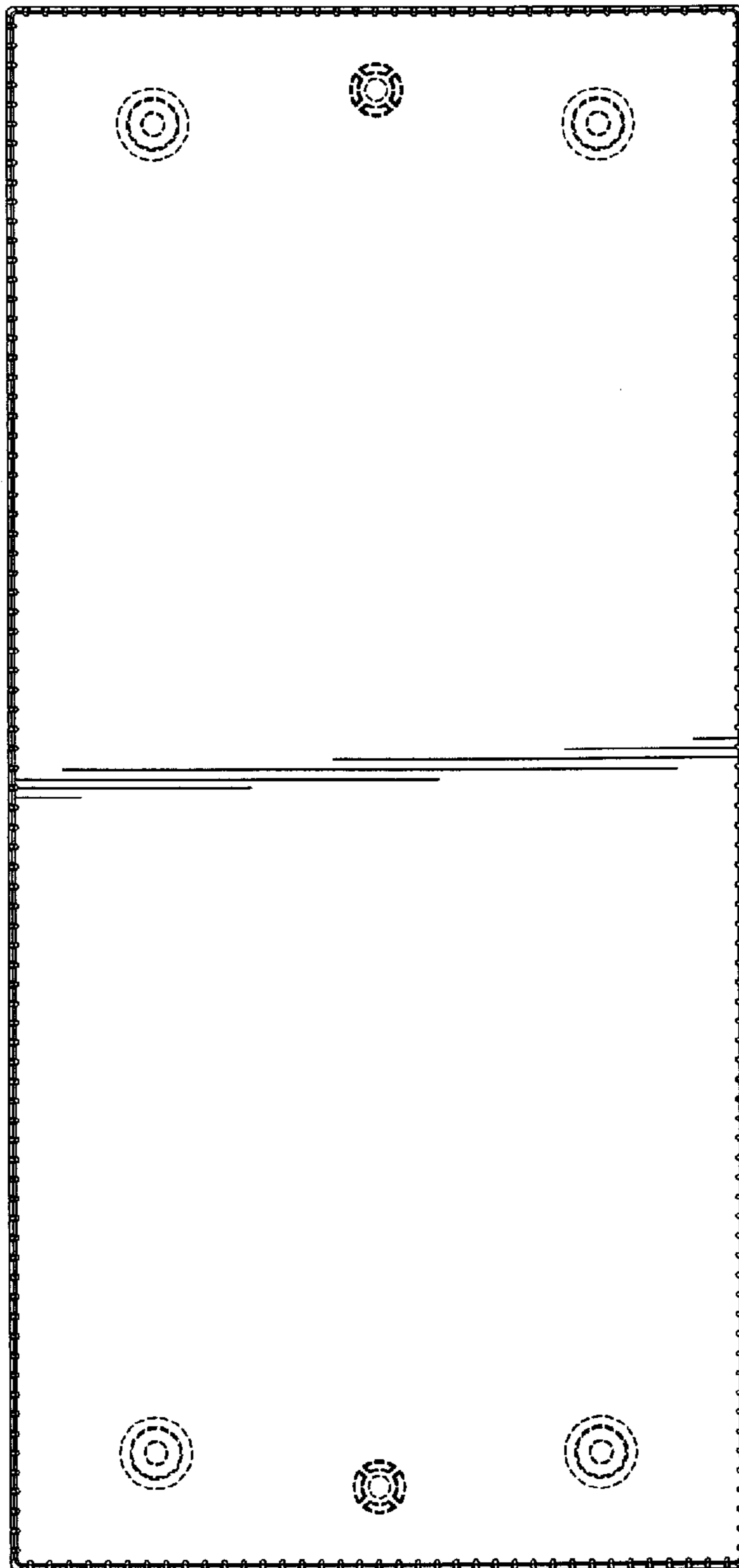


FIG. 4

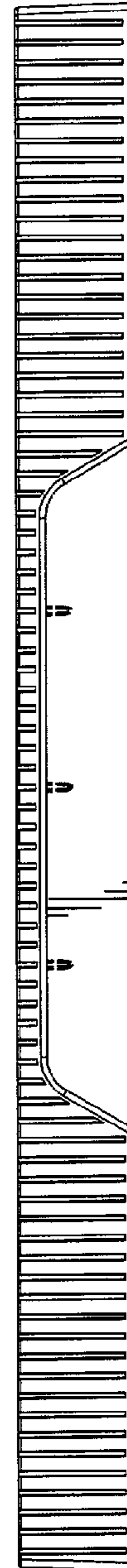


FIG. 5

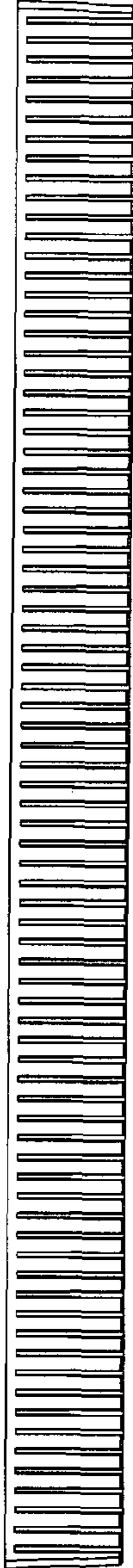


FIG. 7

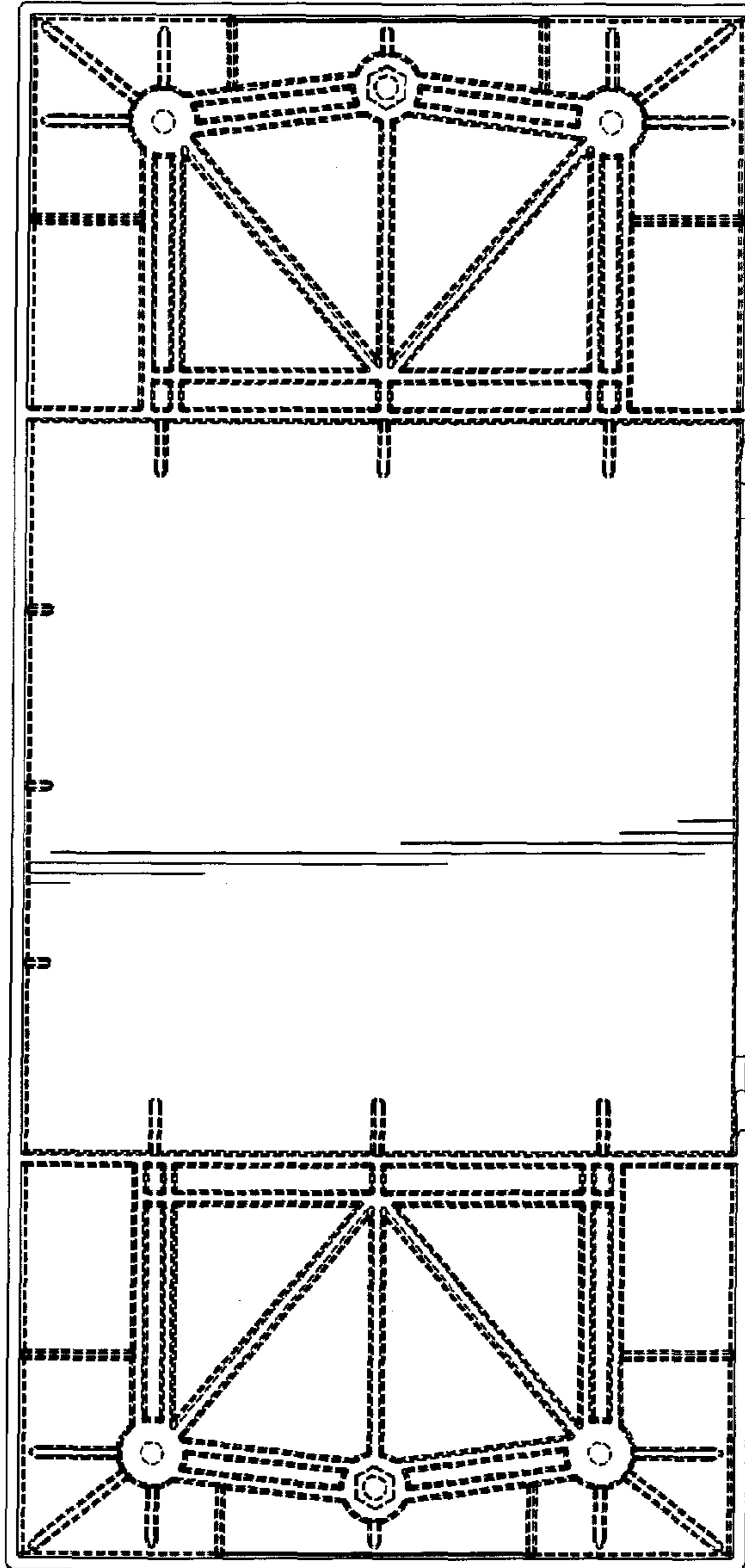


FIG. 8