



US00D617122S

(12) **United States Design Patent**  
**Moon et al.**

(10) **Patent No.:** **US D617,122 S**  
(45) **Date of Patent:** **\*\* Jun. 8, 2010**

(54) **TABLE TOP DISPLAY**

(75) Inventors: **Jae-Hwa Moon**, Seoul (KR); **Sung-Jin Ann**, Seoul (KR); **Ji-Hyun Moon**, Kyunggi-do (KR)

(73) Assignee: **Samsung Electronics Co., Ltd.**, Kyunggi-do (KR)

(\*\*) Term: **14 Years**

(21) Appl. No.: **29/315,995**

(22) Filed: **Aug. 13, 2009**

(51) **LOC (9) Cl.** ..... **06-03**

(52) **U.S. Cl.** ..... **D6/480**

(58) **Field of Classification Search** ..... D6/480-489,  
D6/511, 495-499, 429-431; 108/150, 152,  
108/153.1, 157.1, 161; 248/188, 188.1, 188.7,  
248/188.8

See application file for complete search history.

(56) **References Cited**

**U.S. PATENT DOCUMENTS**

D448,217 S \* 9/2001 Ullman ..... D6/484  
D482,546 S \* 11/2003 Restemayer ..... D6/480

D486,016 S \* 2/2004 Stanton ..... D6/484  
D493,051 S \* 7/2004 Restemayer ..... D6/484  
D497,742 S \* 11/2004 Dortch ..... D6/480  
D533,737 S \* 12/2006 Bibi ..... D6/484

\* cited by examiner

*Primary Examiner*—Janice E Seeger

(74) *Attorney, Agent, or Firm*—Flynn, Thiel, Boutell & Tanis, P.C.

(57) **CLAIM**

The ornamental design for a table top display, as shown and described.

**DESCRIPTION**

FIG. 1 is a top front perspective view of a table top display showing our new design;

FIG. 2 is a front elevational view thereof;

FIG. 3 is a rear elevational view thereof;

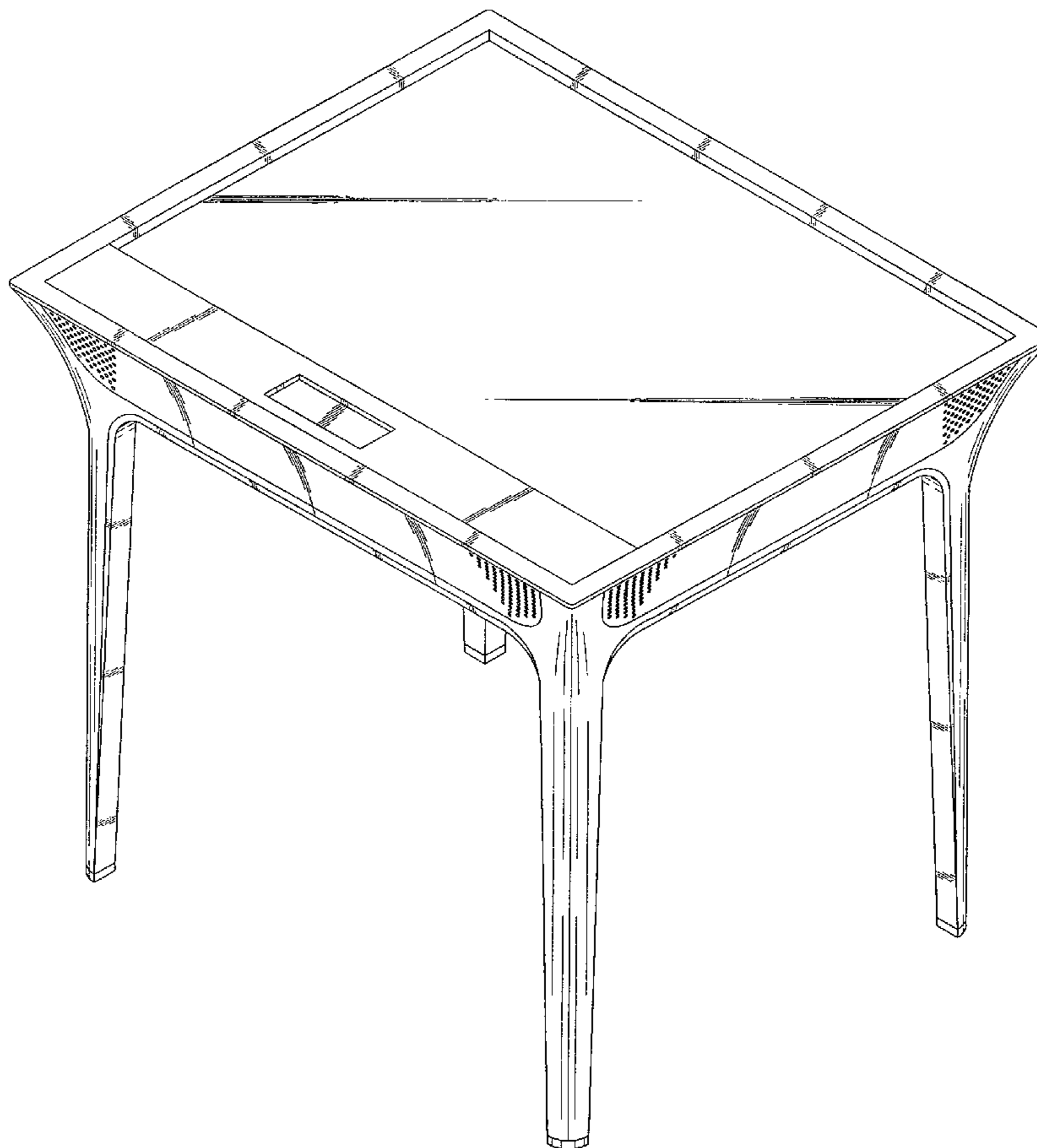
FIG. 4 is a left side elevational view thereof;

FIG. 5 is a right side elevational view thereof;

FIG. 6 is a top plan view thereof; and,

FIG. 7 is a bottom plan view thereof.

**1 Claim, 7 Drawing Sheets**



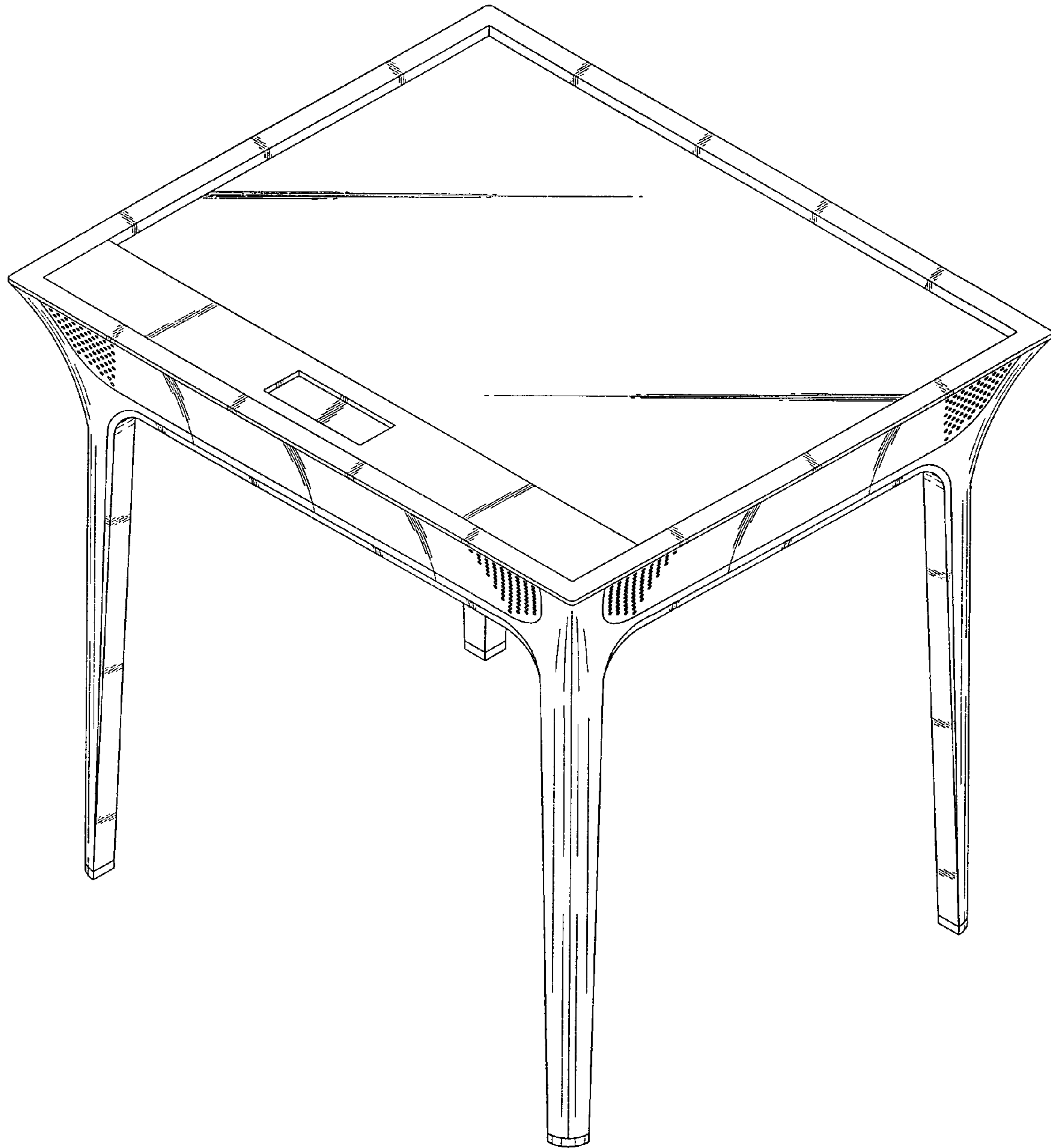


FIG. 1

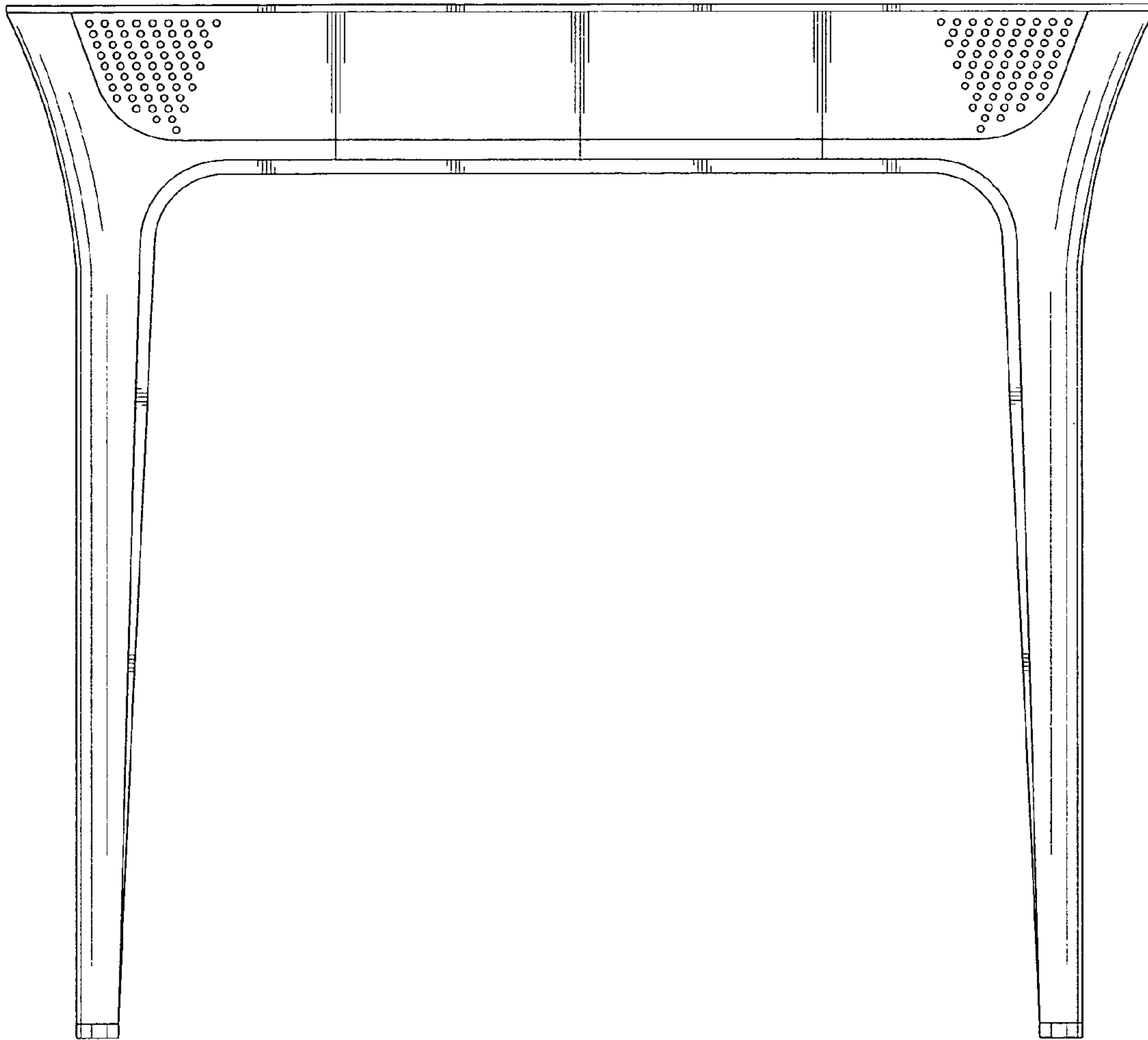


FIG. 2

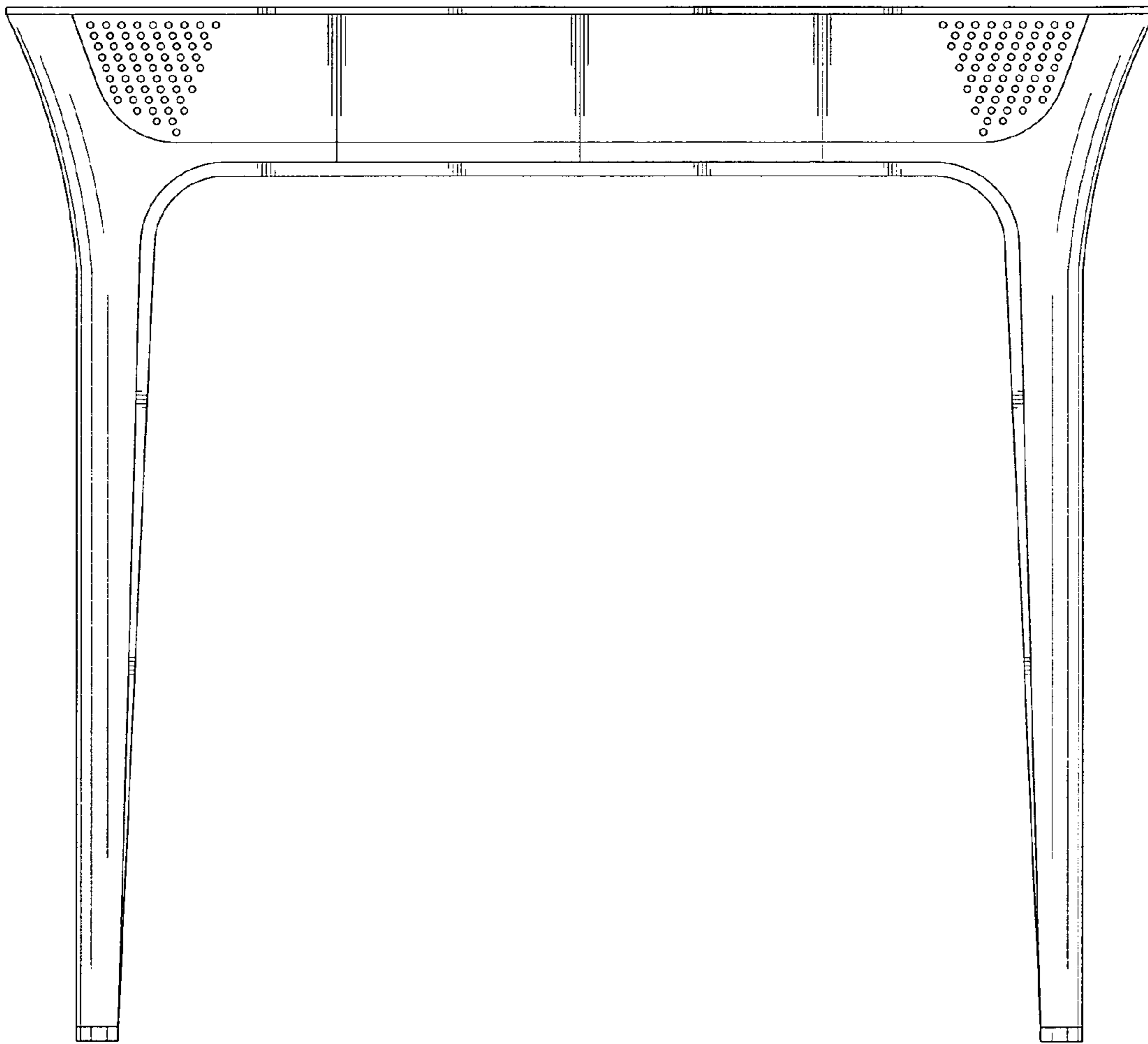


FIG. 3

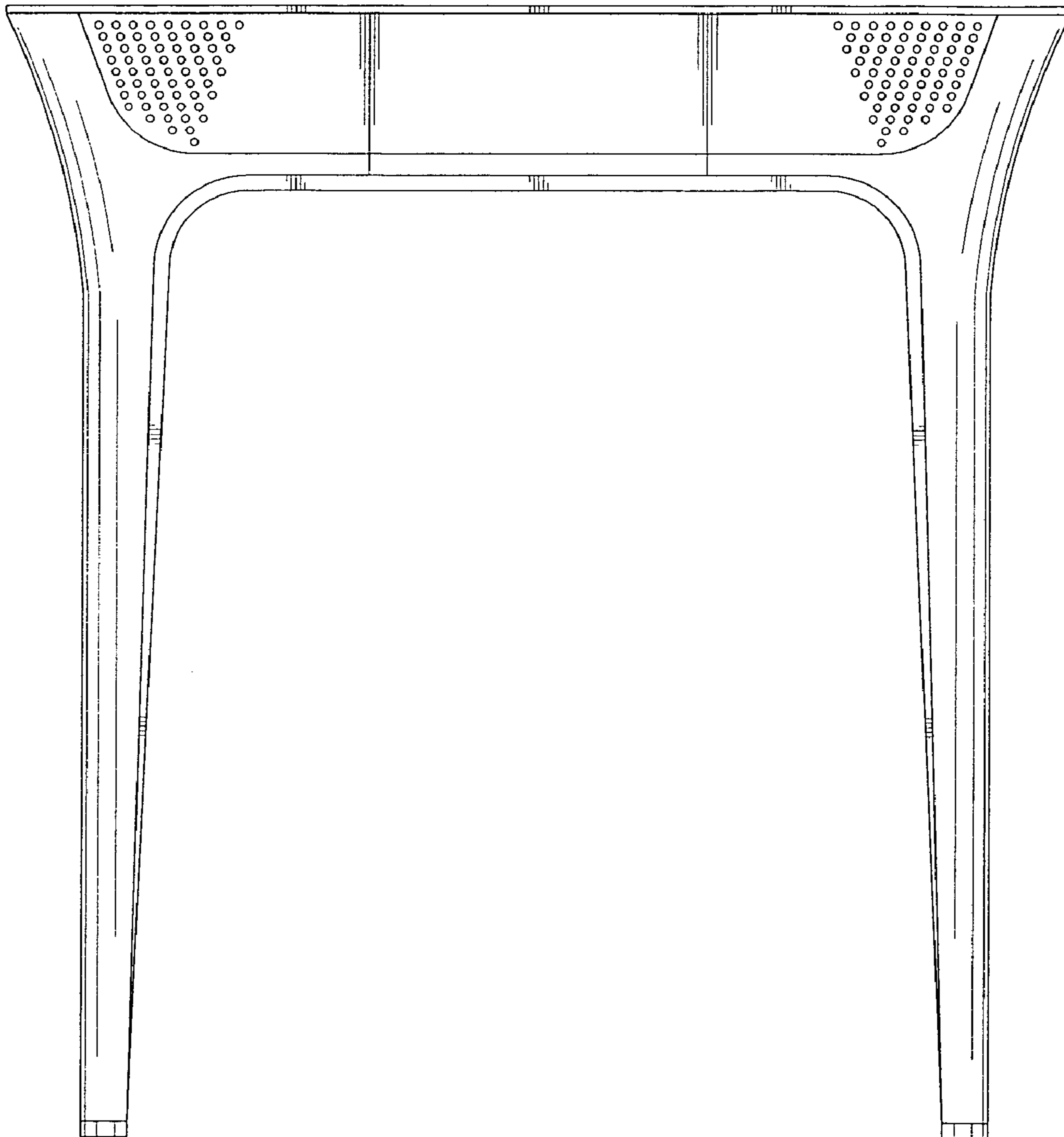


FIG. 4

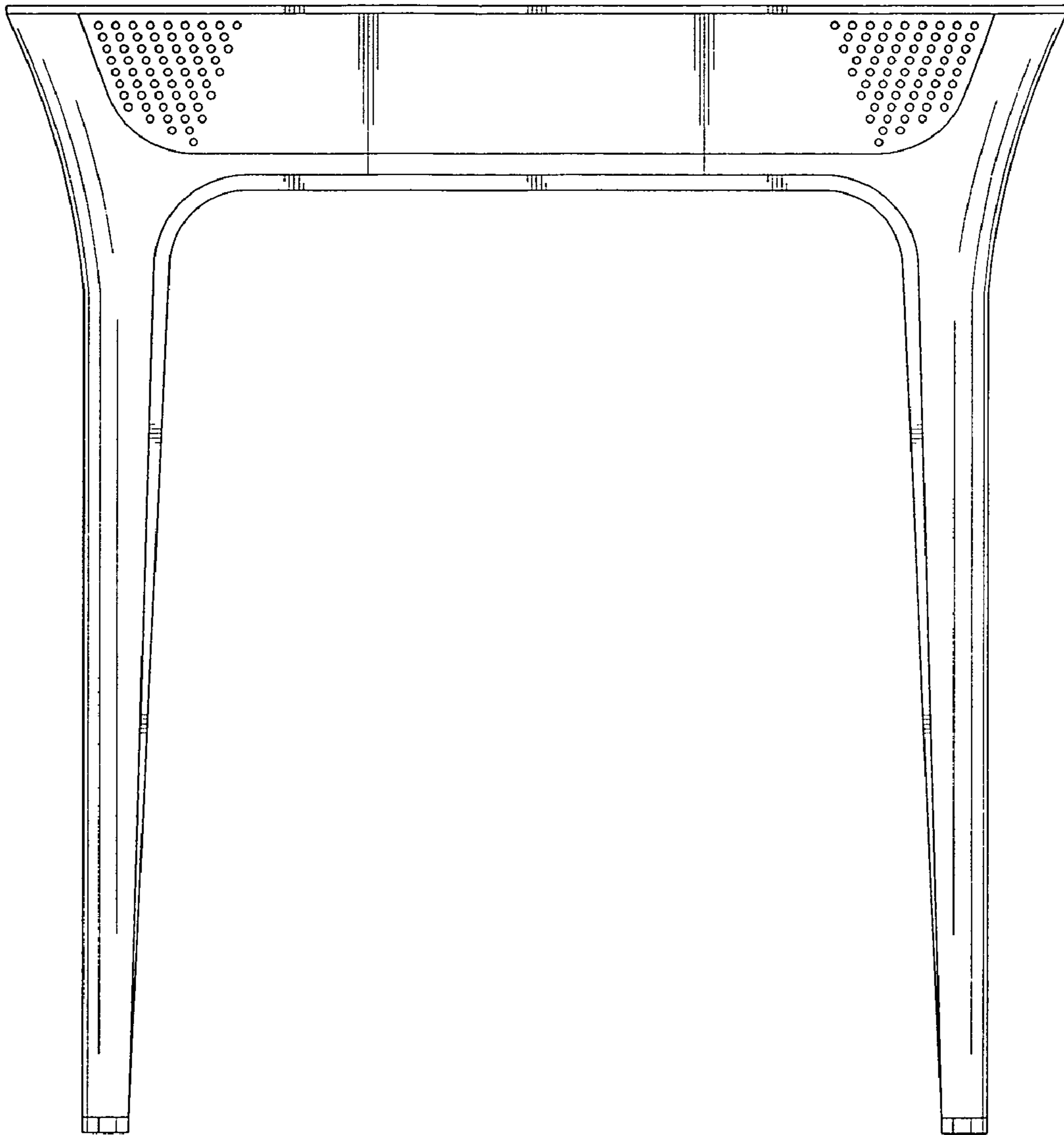


FIG. 5

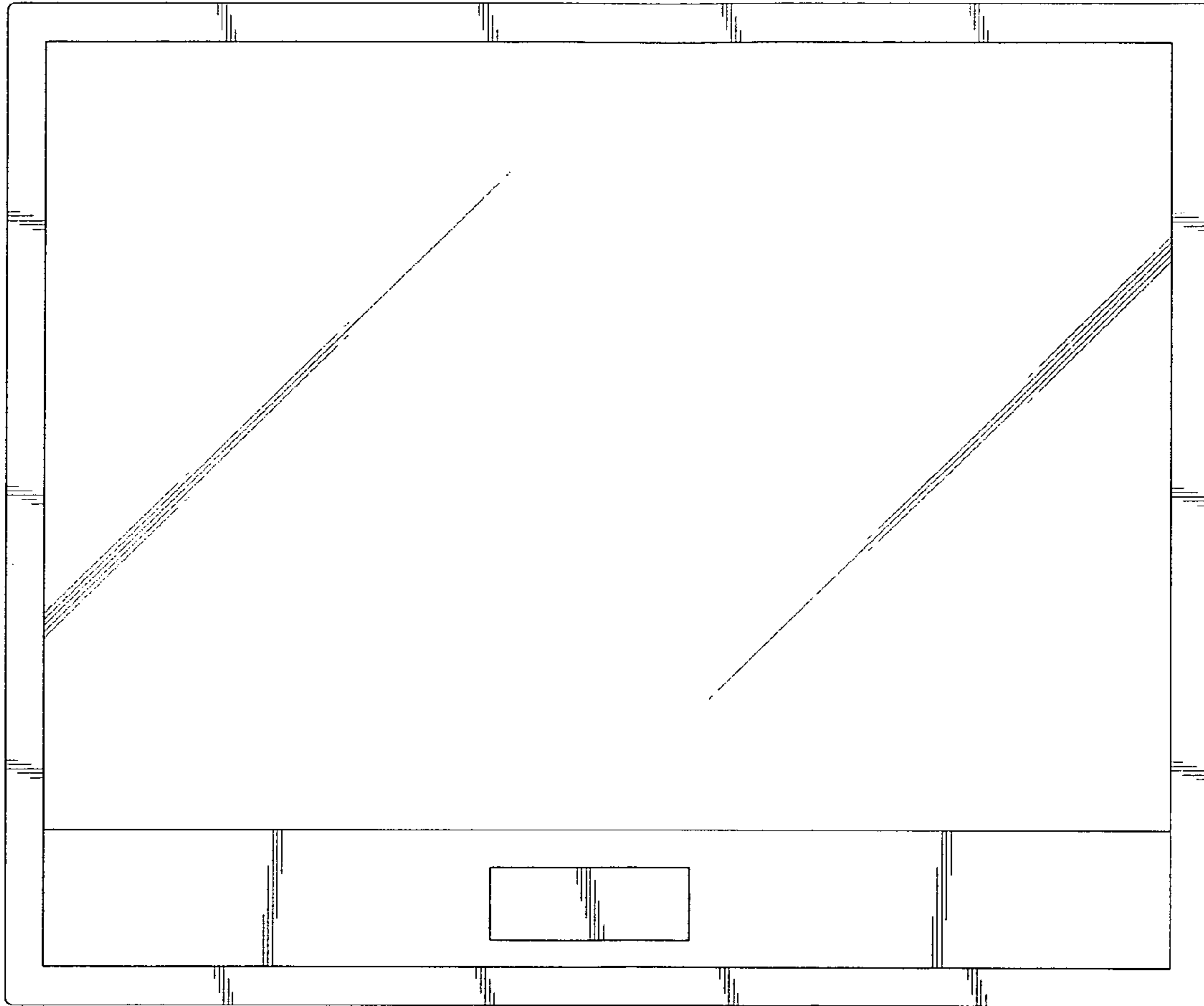


FIG. 6

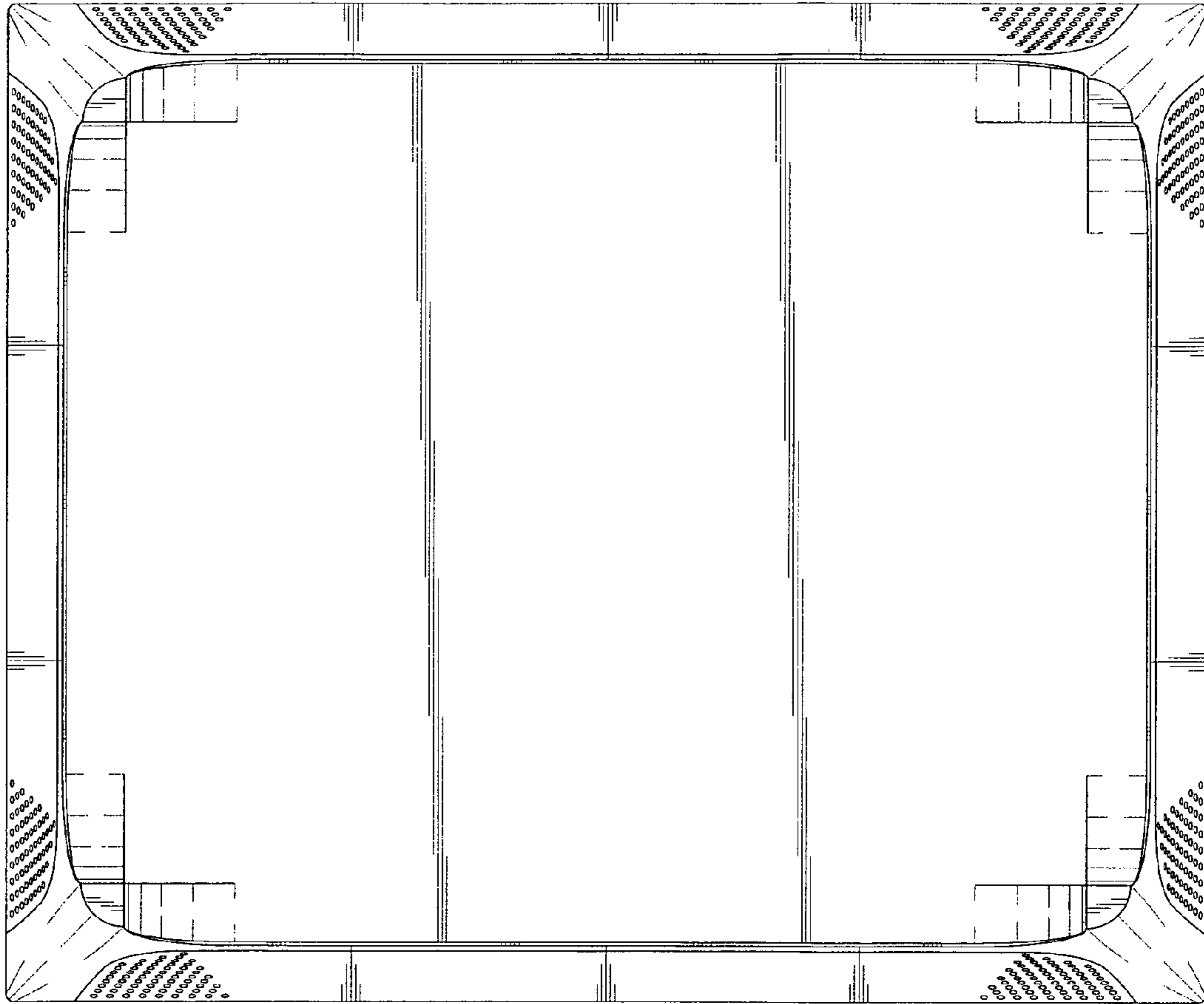


FIG. 7