



US00D617117S

(12) **United States Design Patent**
Tovin

(10) **Patent No.:** **US D617,117 S**
(45) **Date of Patent:** **** Jun. 8, 2010**

(54) **FURNITURE**

- (75) Inventor: **Blake C. Tovin**, Nyack, NY (US)
- (73) Assignee: **Casana Furniture Company Ltd.** (CA)
- (**) Term: **14 Years**
- (21) Appl. No.: **29/280,604**
- (22) Filed: **Jun. 1, 2007**

- (51) **LOC (9) Cl.** **06-04**
- (52) **U.S. Cl.** **D6/436**
- (58) **Field of Classification Search** D6/397,
D6/425-426, 429, 432-448, 470, 474, 477-480,
D6/484, 492-495, 510; D9/446; 312/107,
312/114, 138.1, 198, 204, 209, 224, 257.1
See application file for complete search history.

(56) **References Cited**

U.S. PATENT DOCUMENTS

D513,138 S	*	12/2005	Mohundro	D6/441
D518,975 S	*	4/2006	Mohundro	D6/441
D523,258 S	*	6/2006	De Blaay	D6/446
D555,393 S	*	11/2007	O'Hare et al.	D6/441
D556,472 S	*	12/2007	Janke et al.	D6/441
D557,039 S	*	12/2007	Domack et al.	D6/446
D560,388 S	*	1/2008	Bacon et al.	D6/441
D564,786 S	*	3/2008	Mayer et al.	D6/441
D596,421 S	*	7/2009	Kanhasamy	D6/446

OTHER PUBLICATIONS

Pina, Leslie, Herman Miller 1939 Catalog: Gilbert Rohde Modern Design With Value Guide, 1998, 60-61, Schiffer Publishing.

* cited by examiner

Primary Examiner—Caron Veynar

Assistant Examiner—Ricky Pham

(74) *Attorney, Agent, or Firm*—Michael Best & Friedrich LLP

(57) **CLAIM**

The ornamental design for furniture, as shown and described.

DESCRIPTION

FIG. 1 is a left side perspective view of a case good item of furniture showing my new design, and the right side perspective view is a mirror image;

FIG. 2 is a left side elevation view of the item of FIG. 1 and the right side elevation view is a mirror image;

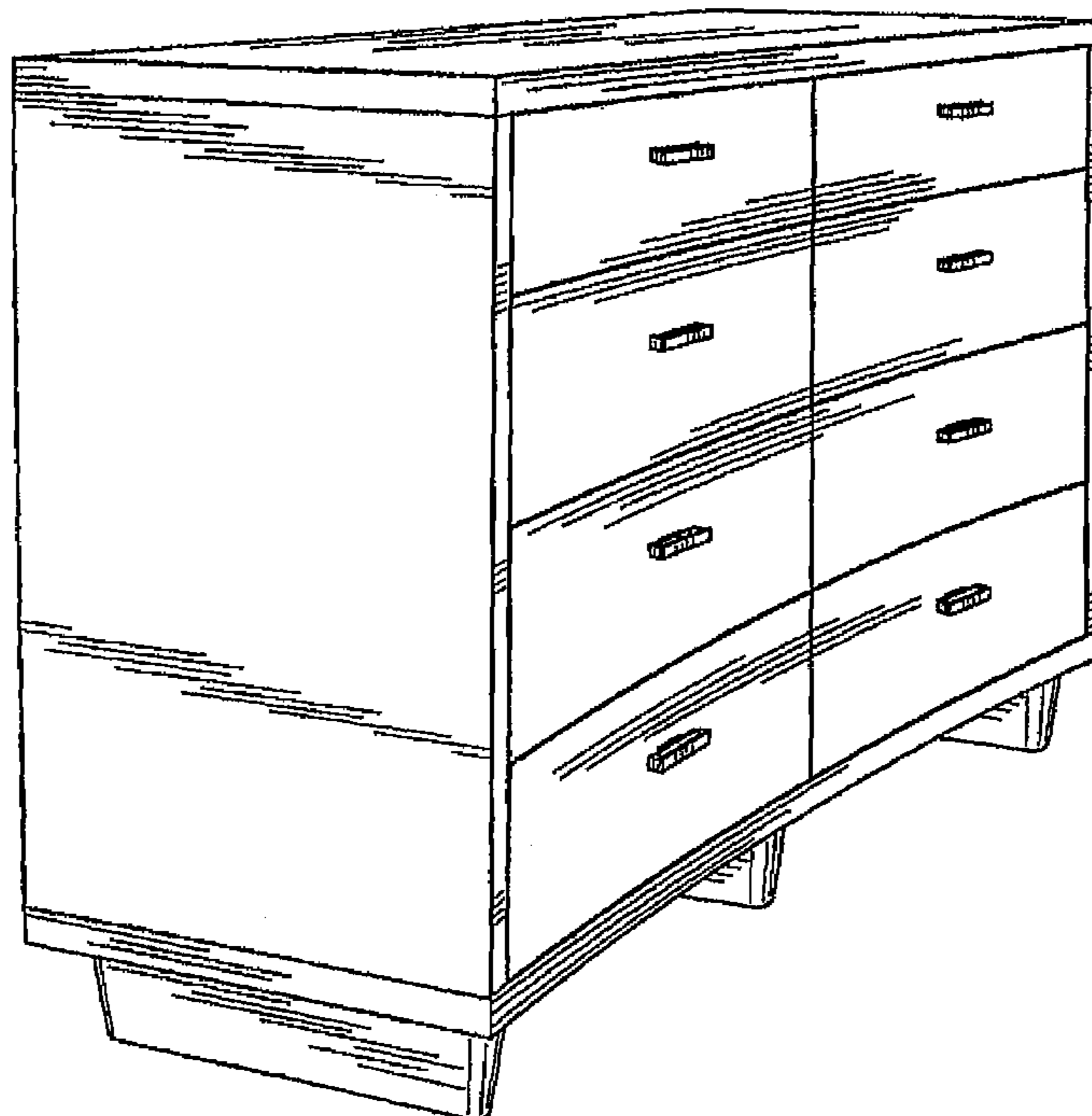
FIG. 3 is a front elevation view of the item of FIG. 1;

FIG. 4 is a top plan view of the item of FIG. 1; and,

FIG. 5 is an enlarged perspective view of one of the legs shown in FIGS. 1 to 4, shown separately for clarity of disclosure.

In each item shown in FIGS. 1 to 4, the front face surface portion is uniformly concave.

1 Claim, 5 Drawing Sheets



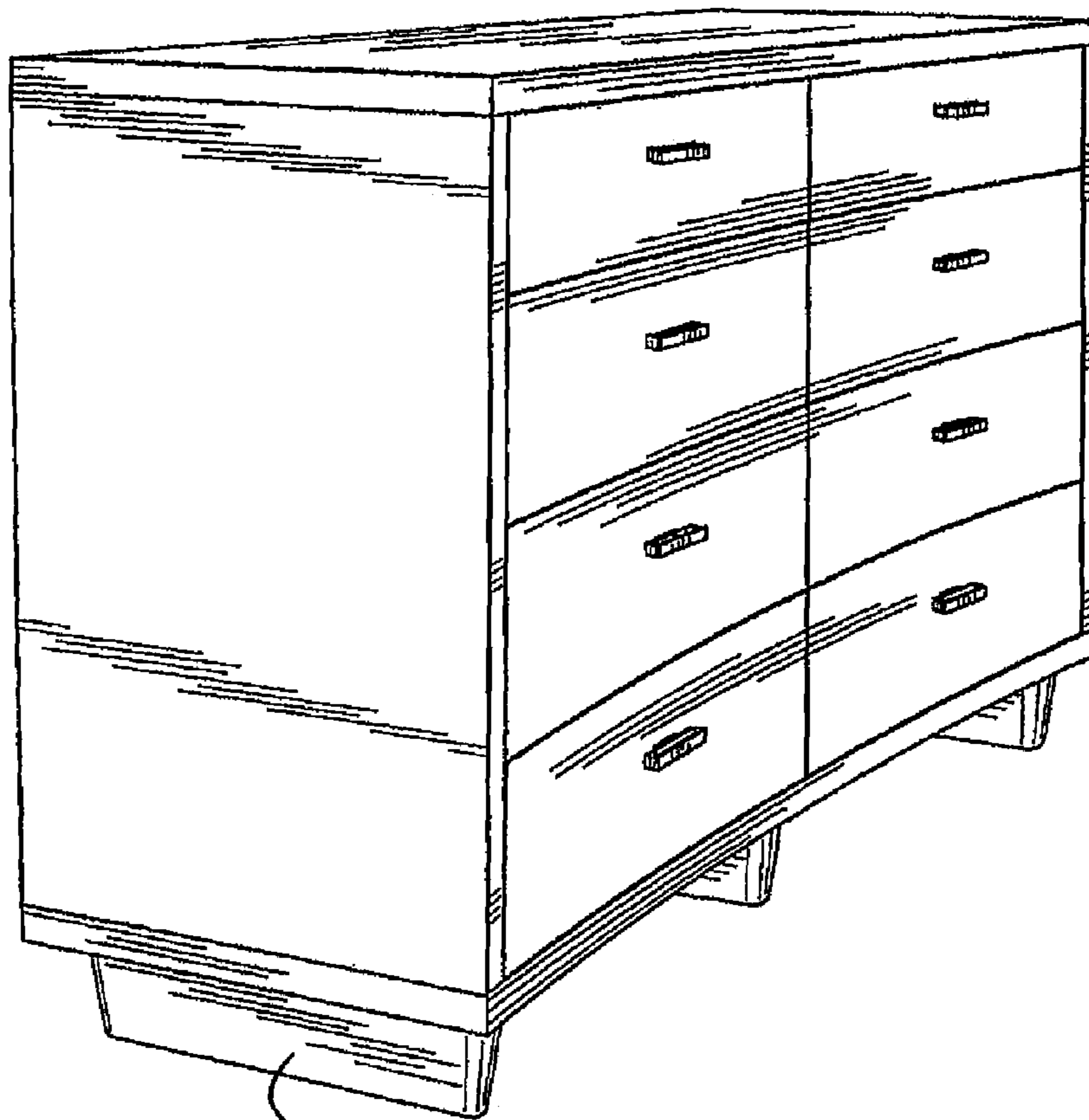


FIG. 5

FIG. 1

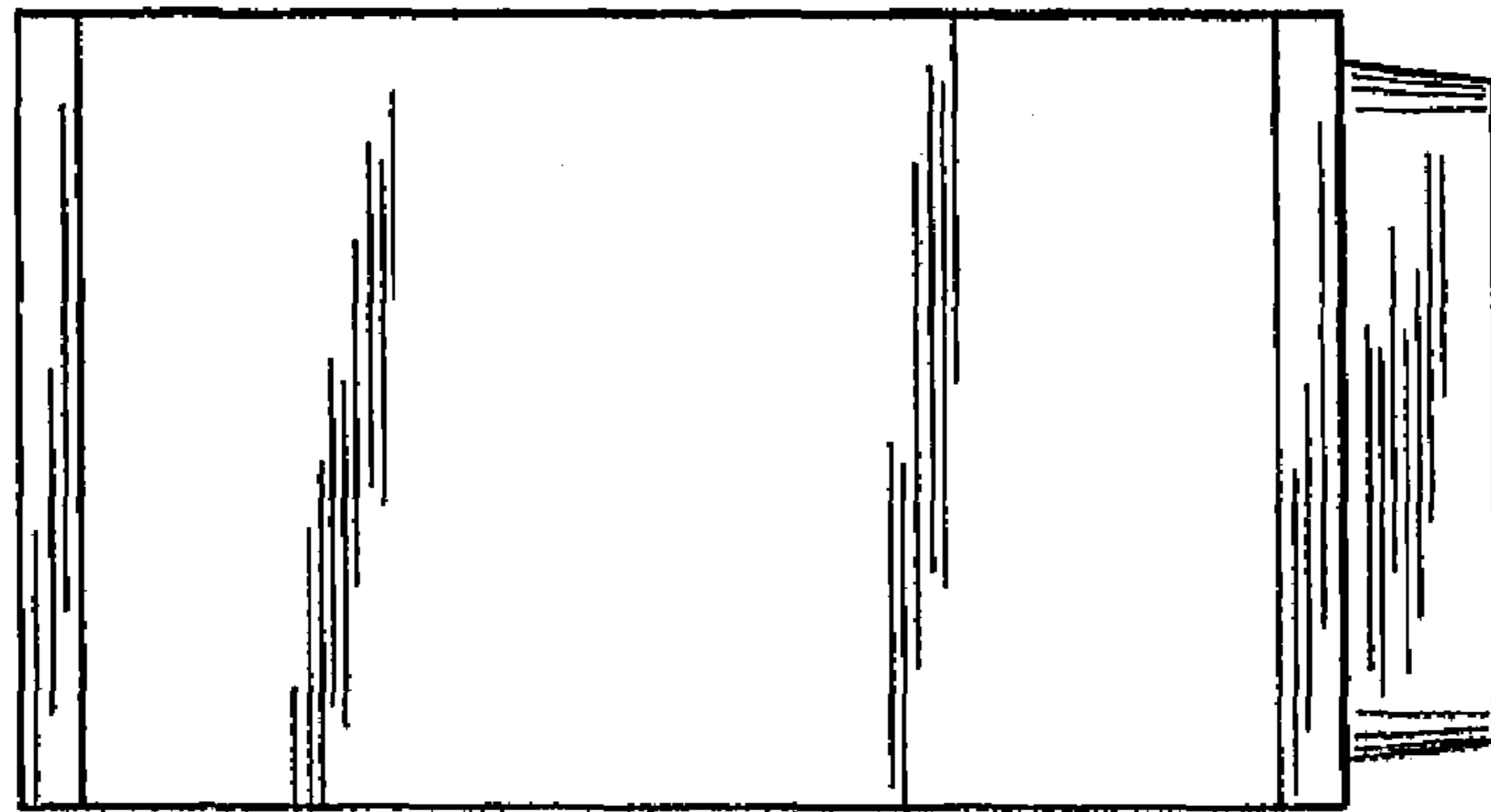


FIG. 2

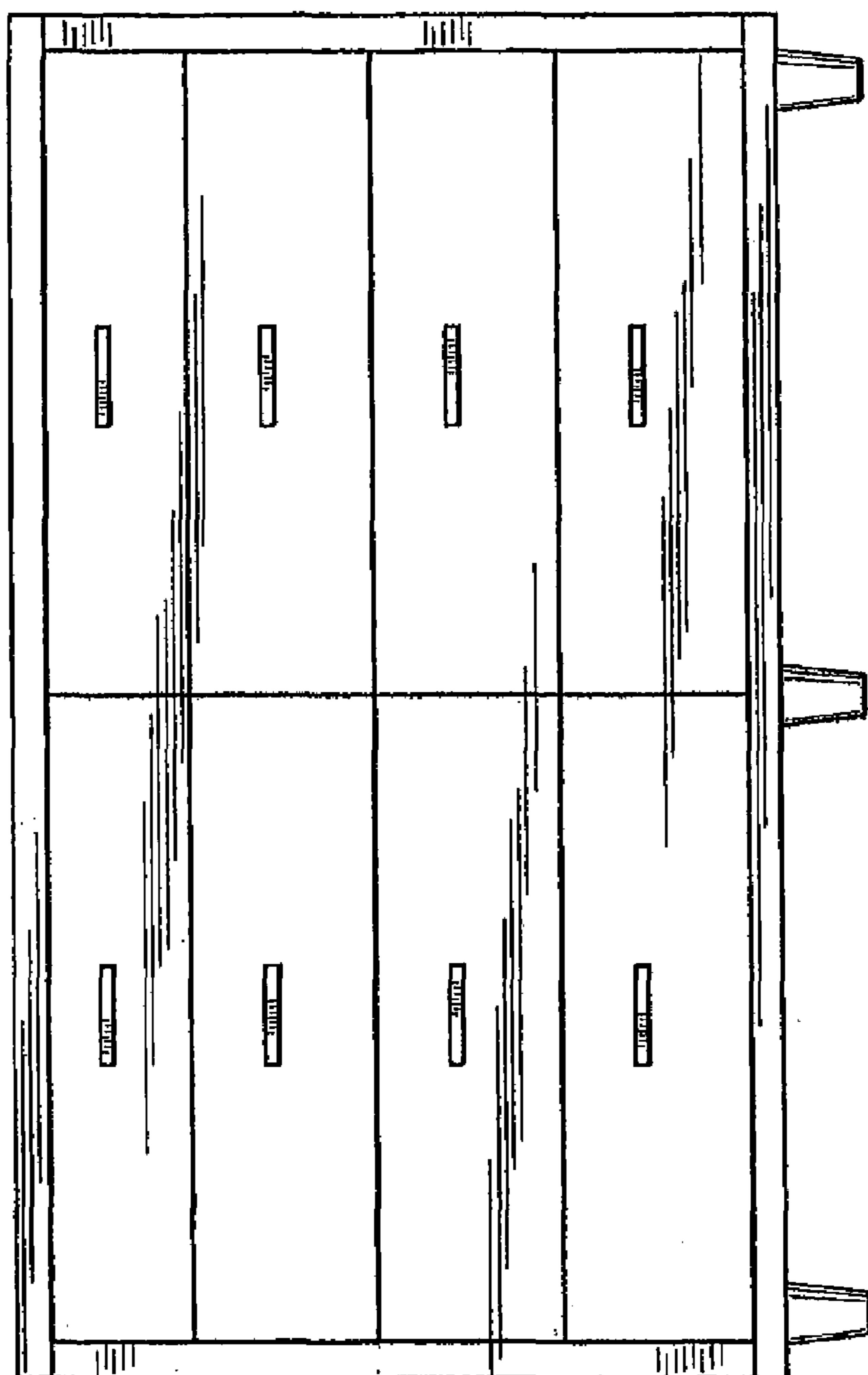


FIG. 3

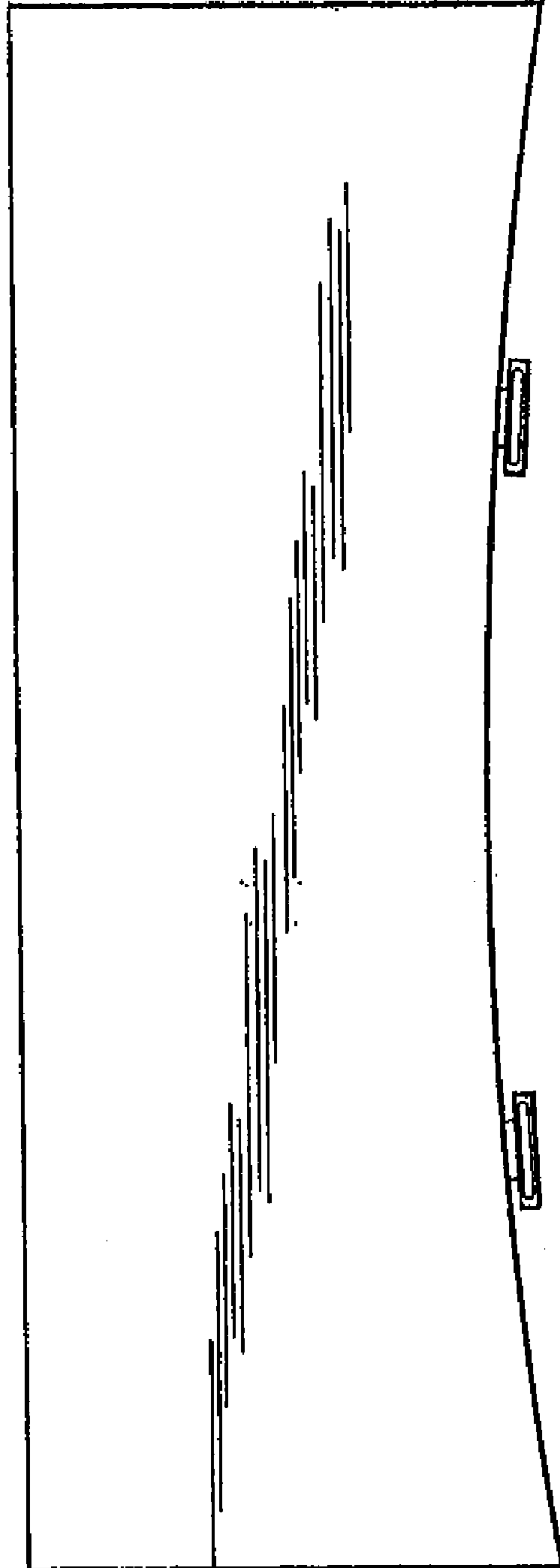


FIG. 4

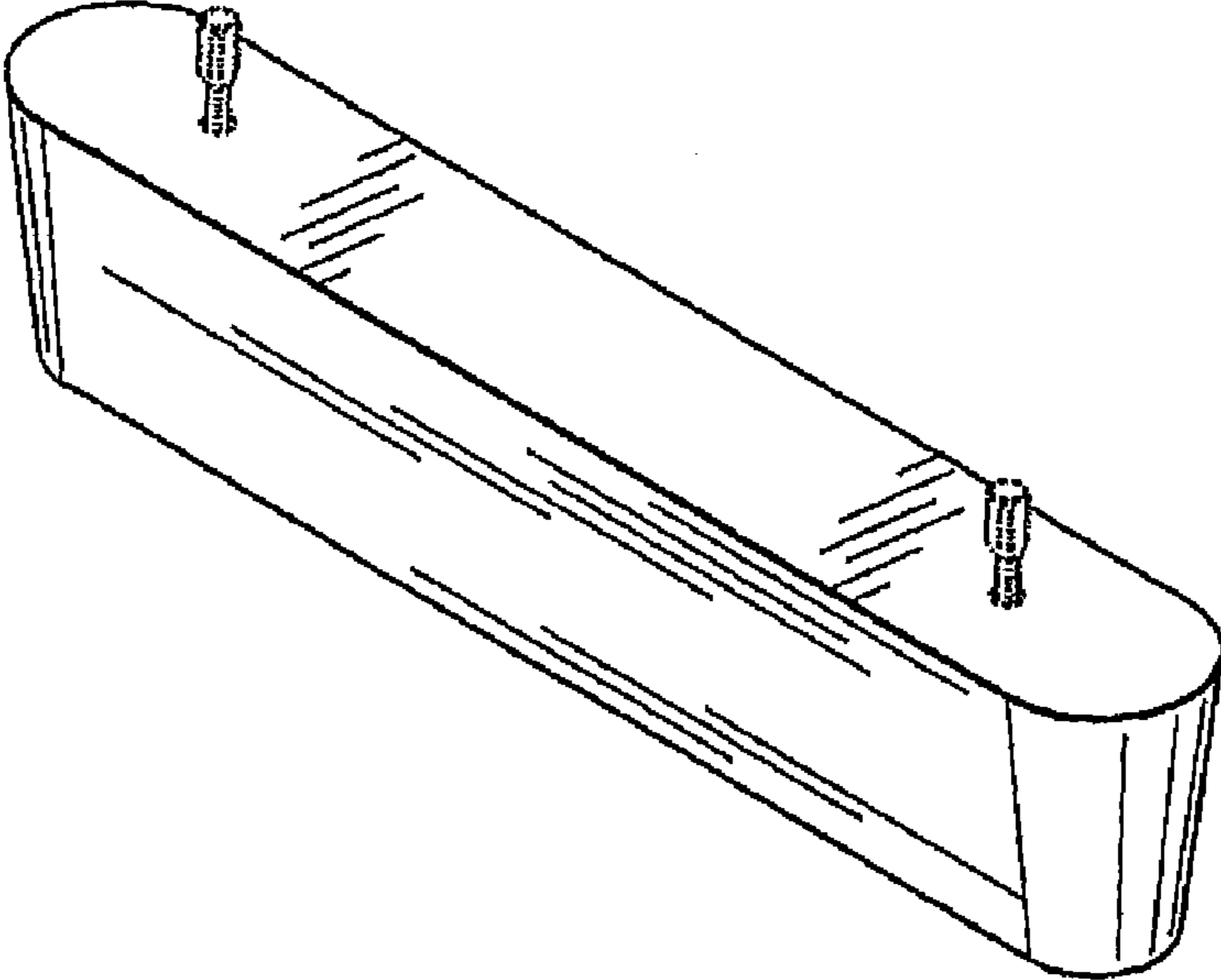


FIG. 5