



US00D617115S

(12) **United States Design Patent**
Wheeler

(10) **Patent No.:** **US D617,115 S**

(45) **Date of Patent:** **** Jun. 8, 2010**

(54) **BRACKET**

(76) **Inventor:** **Giles Wheeler**, Sefour Ltd, 18 White House Green, Solihull (GB) B91 1SP

(**) **Term:** **14 Years**

(21) **Appl. No.:** **29/337,972**

(22) **Filed:** **Jun. 2, 2009**

(51) **LOC (9) Cl.** **06-06**

(52) **U.S. Cl.** **D6/420**

(58) **Field of Classification Search** D8/354,
D8/349, 363, 373, 394, 382, 395; D25/119,
D25/121, 124-125, 136, 138; 52/238.1-243.1,
52/394-395, 578, 282.1, 584.4; D6/310-311,
D6/420; 248/441.1, 445-447, 447.1-447.2,
248/448-457, 918-924

See application file for complete search history.

(56) **References Cited**

U.S. PATENT DOCUMENTS

2,691,238	A *	10/1954	Svatos	248/456
D266,338	S *	9/1982	Mandel	D20/43
D398,458	S *	9/1998	Martell	D6/420
5,833,178	A *	11/1998	Plasse et al.	248/27.8
5,857,791	A *	1/1999	Kenney	400/718
D408,086	S *	4/1999	DuRapau	D25/68

5,927,514	A *	7/1999	Linder	211/26
D432,795	S *	10/2000	Block	D6/300
6,240,687	B1 *	6/2001	Chong	52/238.1
D505,018	S *	5/2005	Stravitz	D6/300
D540,154	S *	4/2007	Bremmon	D8/363
D543,382	S *	5/2007	Glassenberg et al.	D6/462
D573,598	S *	7/2008	Chu	D14/447
D586,338	S *	2/2009	Stenhouse et al.	D14/239

* cited by examiner

Primary Examiner—Elizabeth A Albert

Assistant Examiner—Kelley A Donnelly

(57) **CLAIM**

The ornamental design for a bracket, as shown.

DESCRIPTION

FIG. 1 is a top plan view of a bracket showing my new design;

FIG. 2 is a bottom plan view thereof;

FIG. 3 is a left side elevational view thereof;

FIG. 4 is a right side elevational view thereof;

FIG. 5; is a front elevational view thereof;

FIG. 6 is a rear elevational view thereof;

FIG. 7 front top perspective view thereof; and,

FIG. 8 is a rear bottom perspective view thereof.

1 Claim, 8 Drawing Sheets

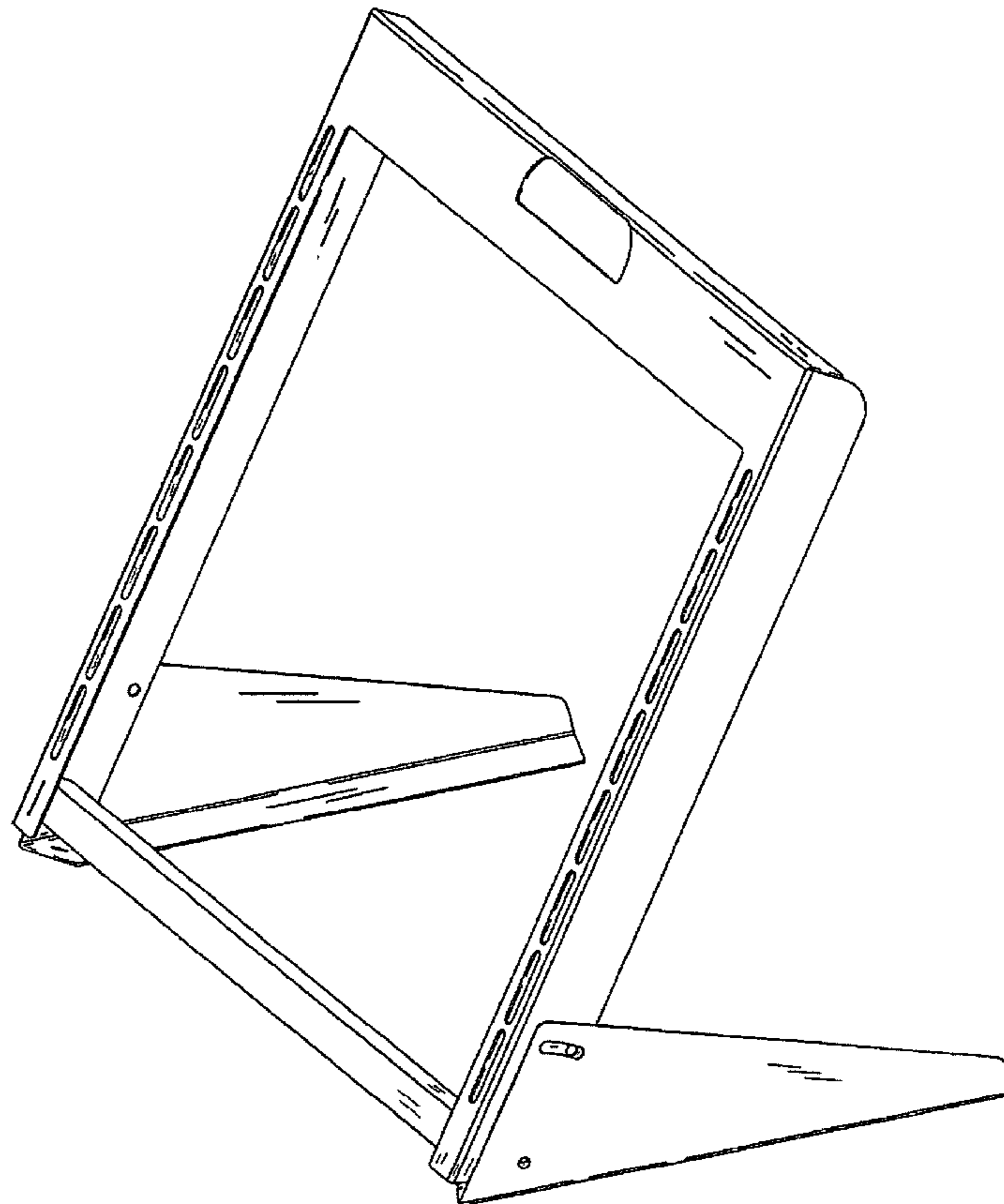


FIG. 1

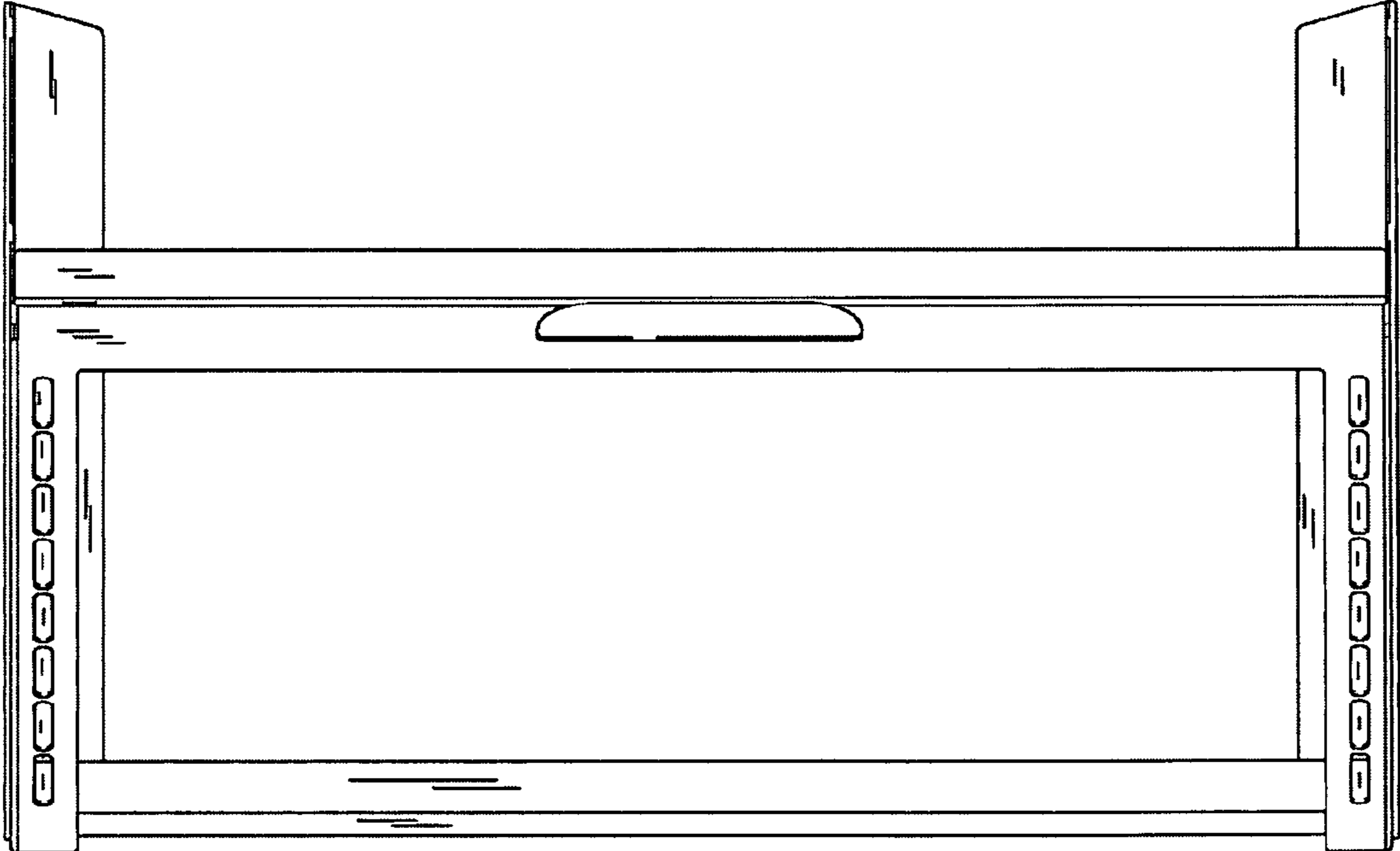


FIG. 2

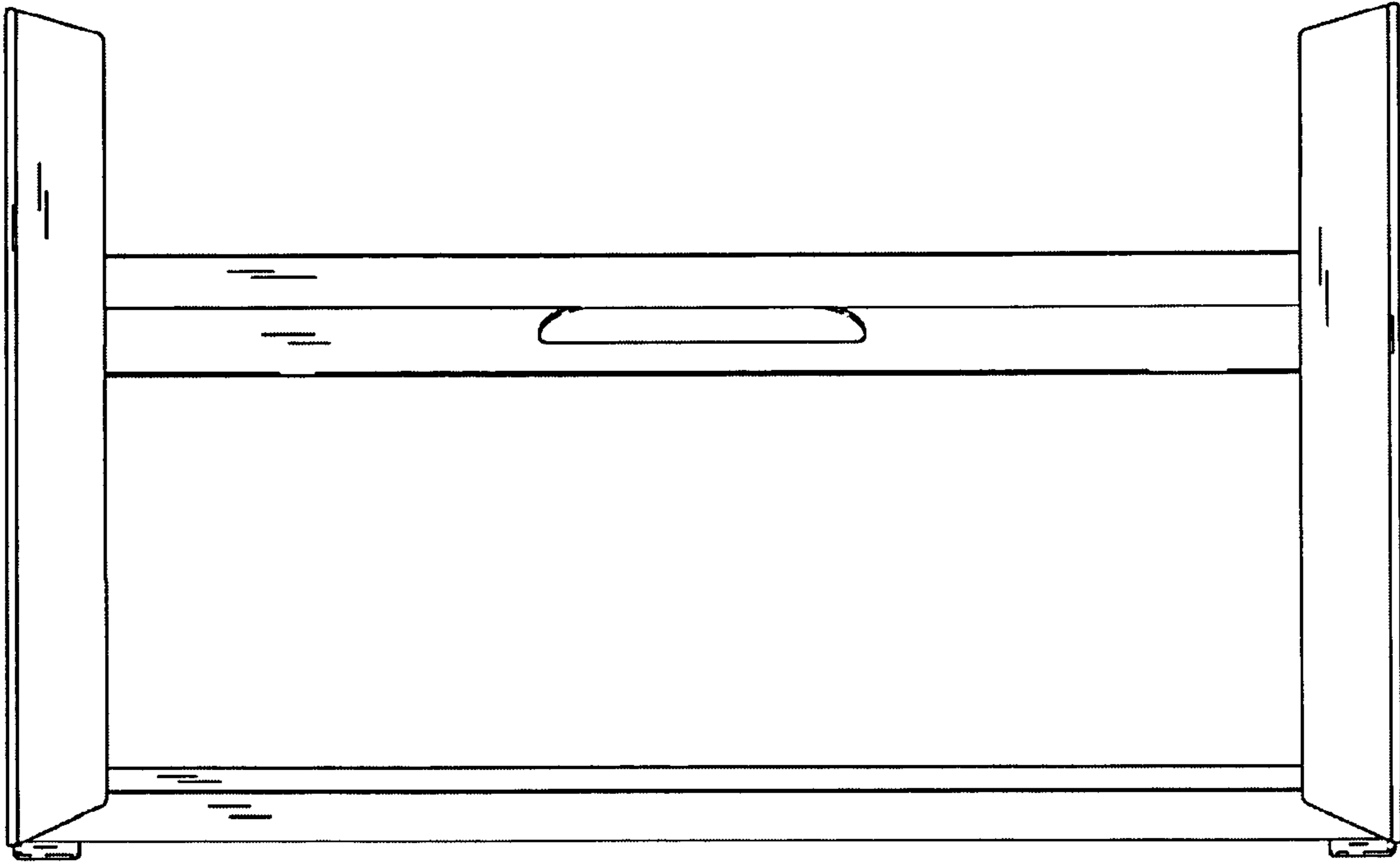


FIG. 3

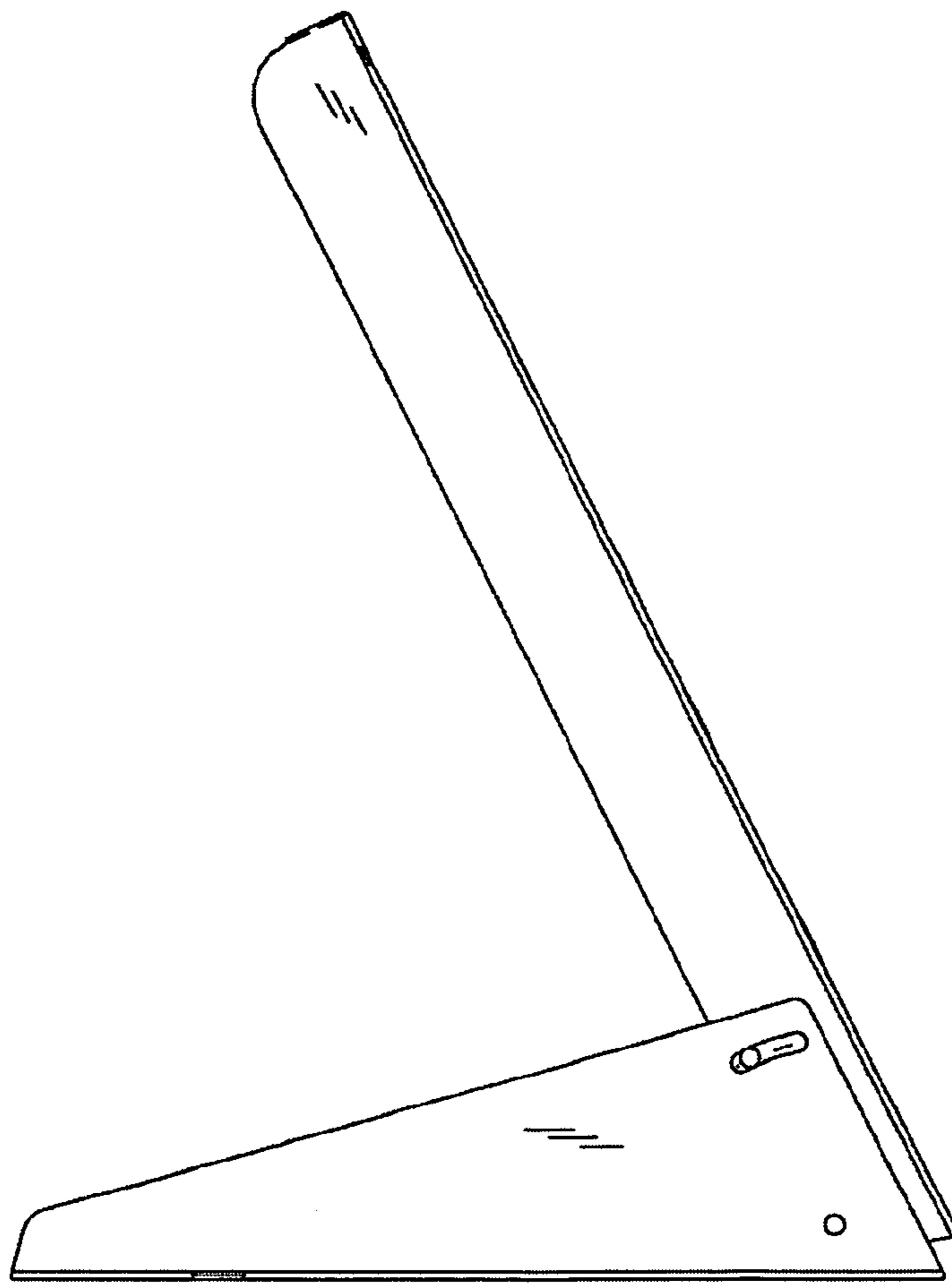


FIG. 4

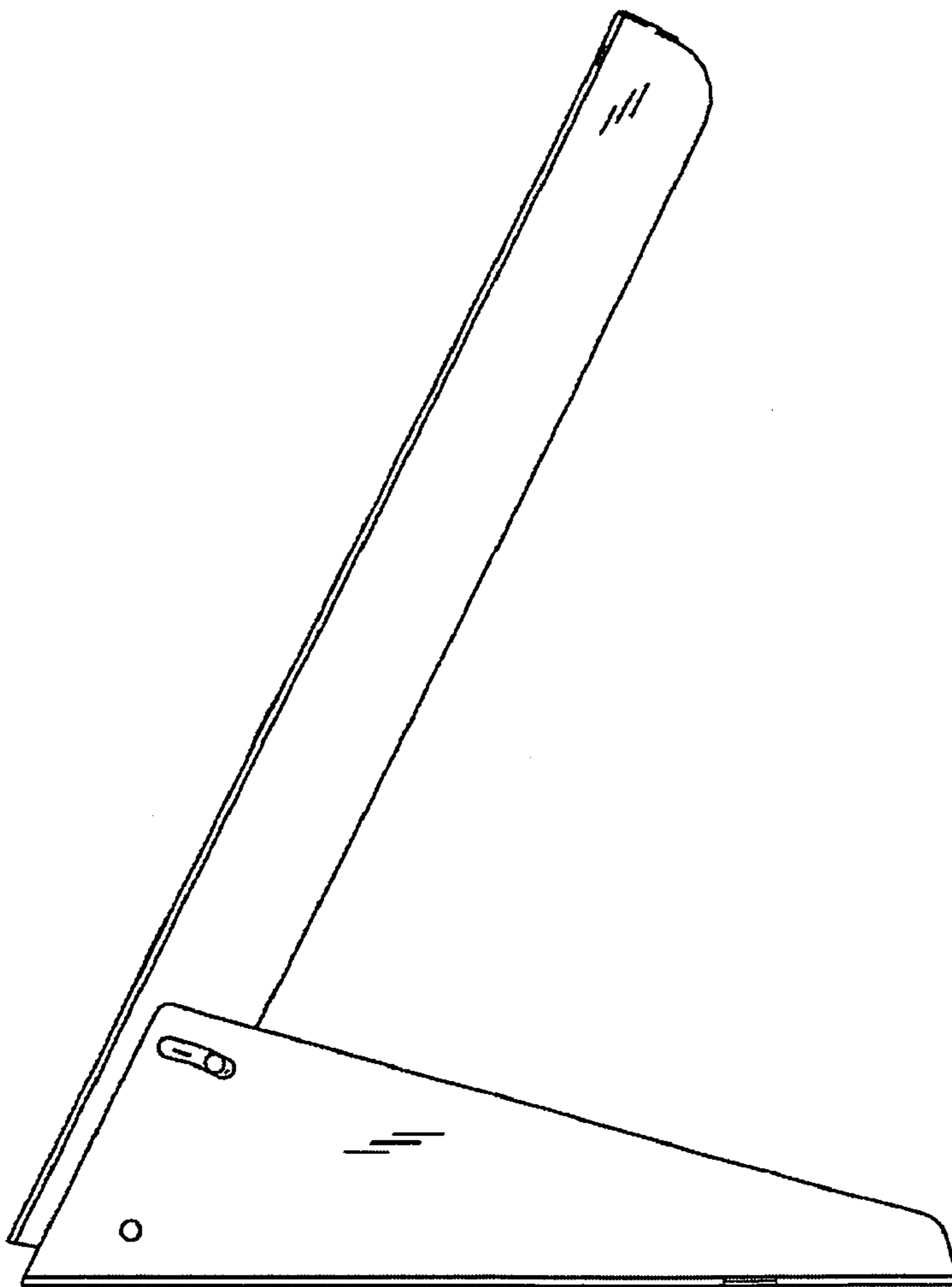


FIG. 5

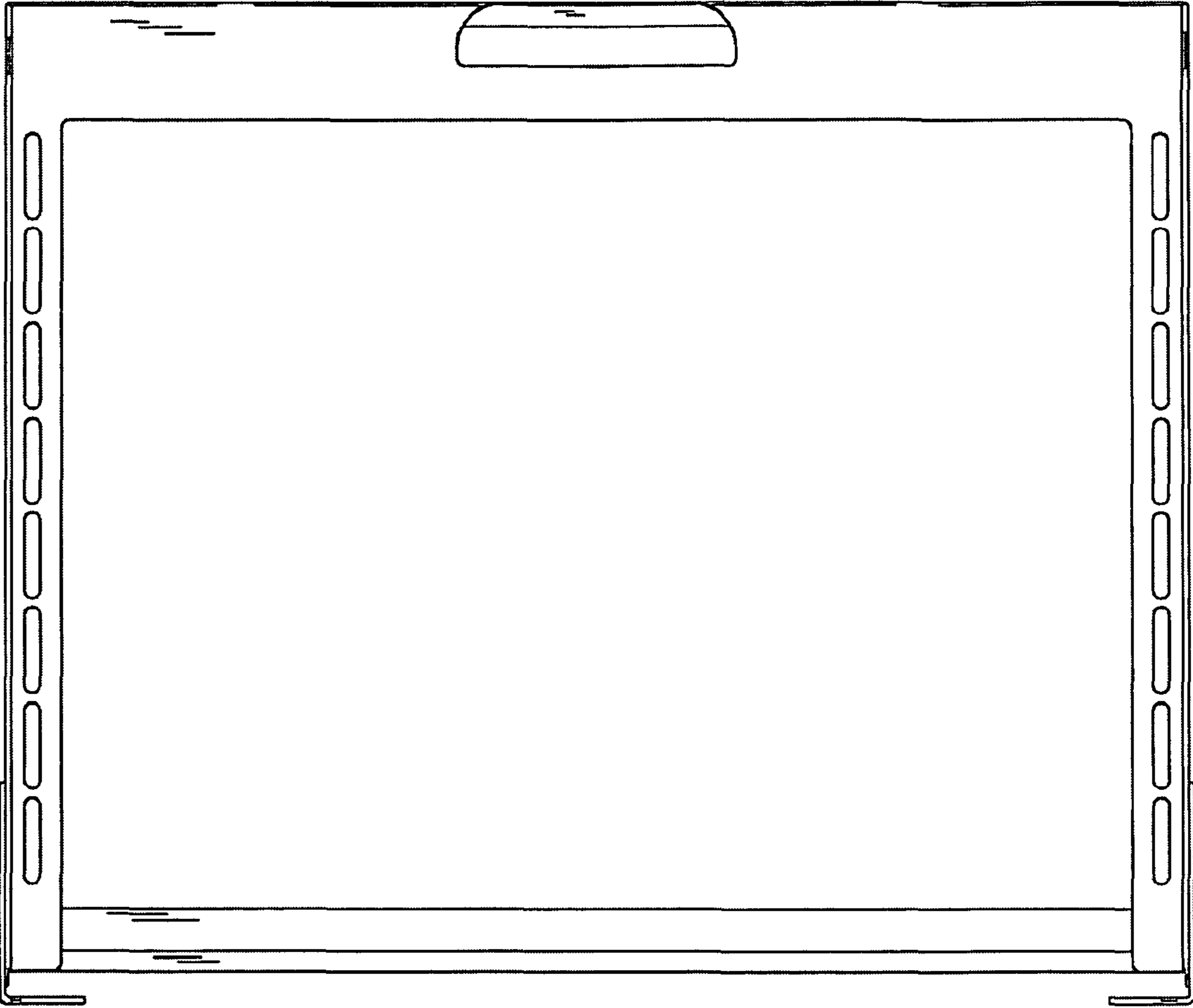


FIG. 6

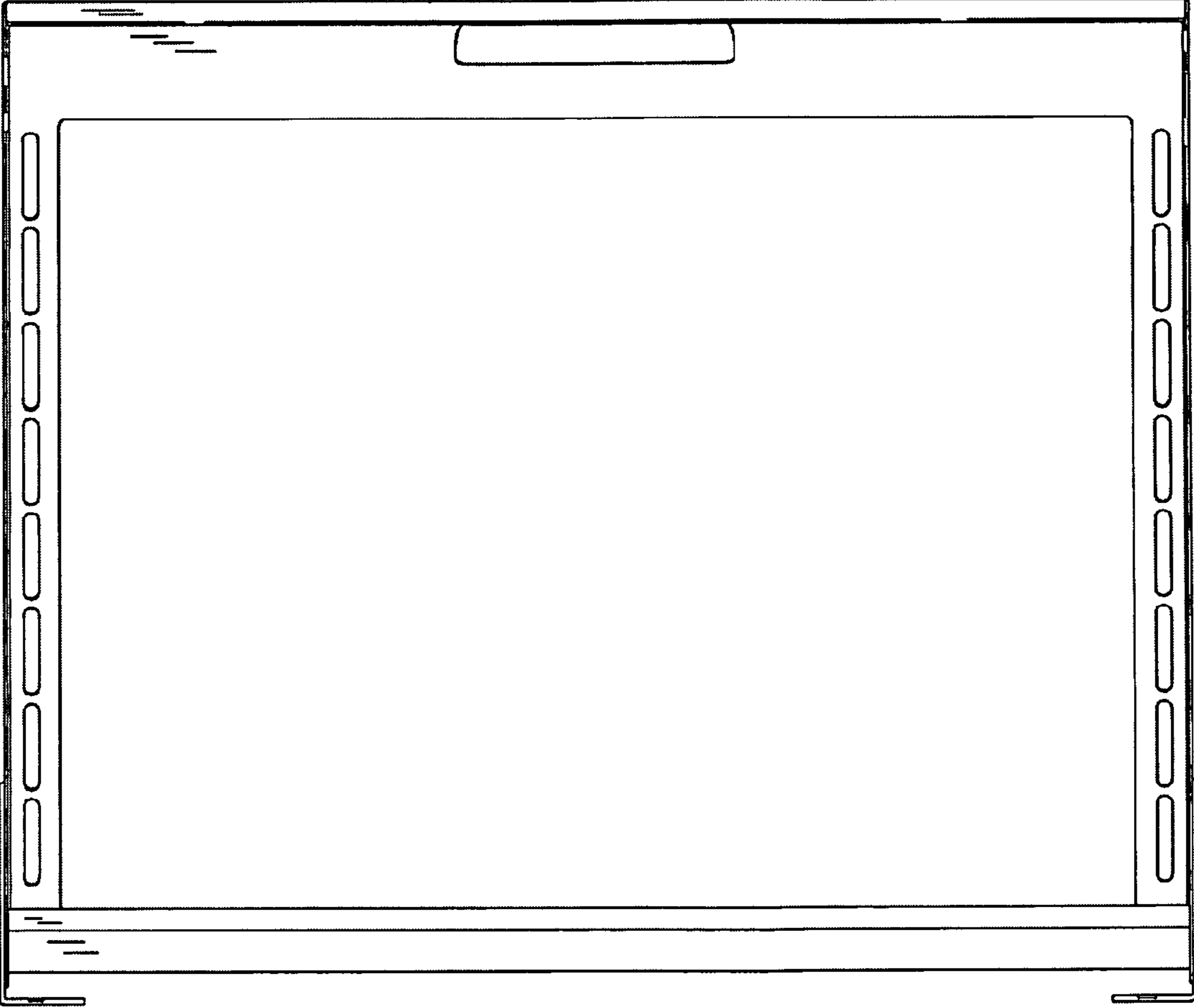


FIG. 7

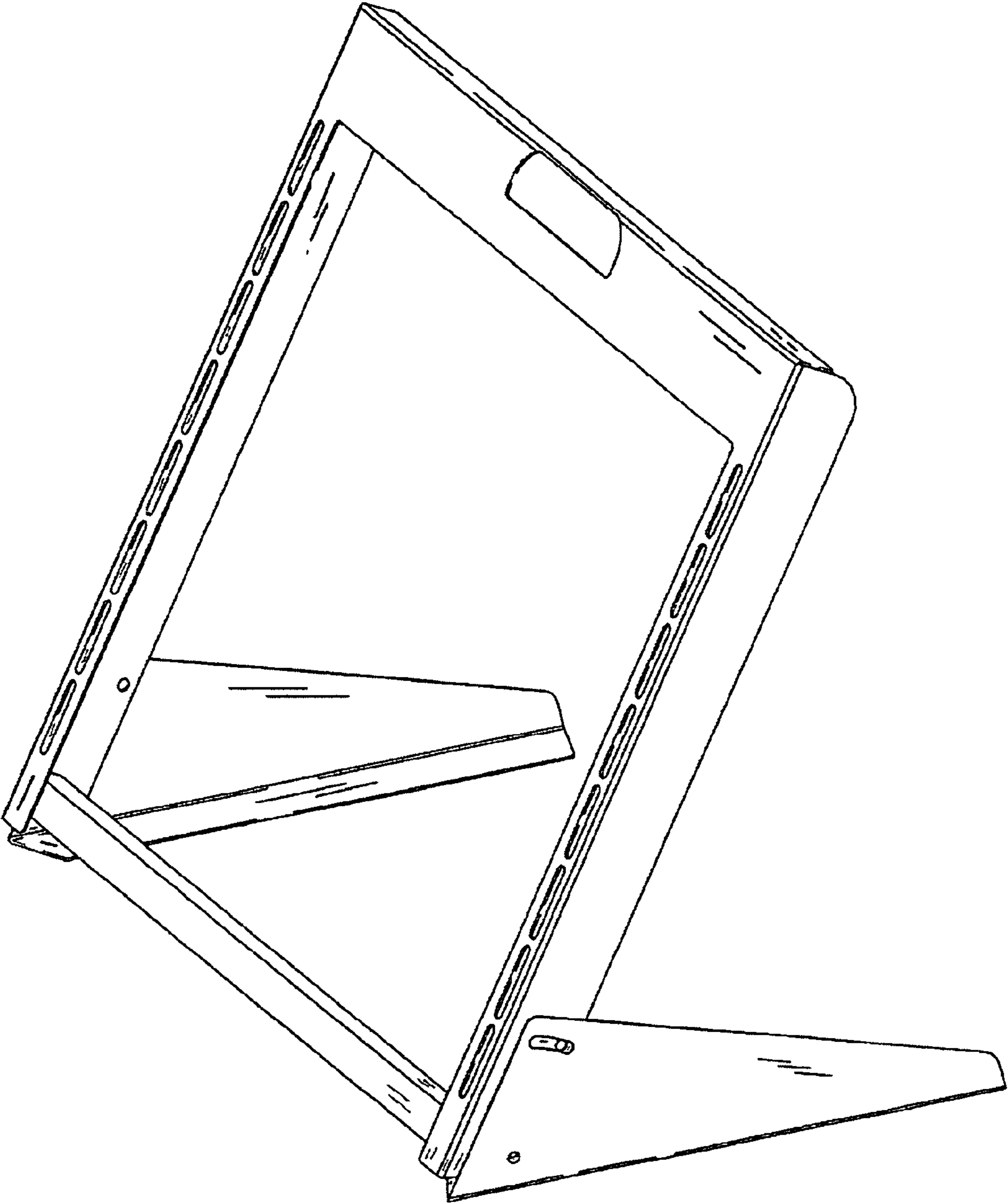


FIG. 8

