



US00D617114S

(12) **United States Design Patent**
Wing

(10) **Patent No.:** **US D617,114 S**
(45) **Date of Patent:** **** Jun. 8, 2010**

(54) **PLANTER CAGE**

(75) Inventor: **Steven C. Wing**, Doylestown, PA (US)

(73) Assignee: **The Pride Group, Inc.**, King of Prussia, PA (US)

(**) Term: **14 Years**

(21) Appl. No.: **29/343,547**

(22) Filed: **Sep. 15, 2009**

(51) **LOC (9) Cl.** **11-02**

(52) **U.S. Cl.** **D6/405**

(58) **Field of Classification Search** D6/403-406,
D6/556-558; D8/1; D11/143-156, 164;
D19/77, 80-82, 84; D23/355, 356; D25/100;
D26/9-11, 16, 20, 22; D34/1, 2, 4-6; D99/5,
D99/19; 47/32.4, 32.5, 32.7, 33, 39, 41.01,
47/41.1, 41.11-41.15, 42-47, 65, 65.5, 65.9,
47/66.1, 66.6, 66.7, 67-71
See application file for complete search history.

(56) **References Cited**

U.S. PATENT DOCUMENTS

| | | | | |
|--------------|---------|----------------|-------|---------|
| D237,814 S * | 11/1975 | Edmonds | | D11/152 |
| D359,929 S * | 7/1995 | Thornhill | | D11/143 |
| D403,560 S * | 1/1999 | Ruggiero | | D8/1 |
| D413,233 S * | 8/1999 | Allison | | D8/1 |
| D436,706 S * | 1/2001 | Clinton | | D34/6 |
| D438,986 S * | 3/2001 | Rehmert et al. | | D25/100 |

| | | | | |
|----------------|---------|-----------|-------|---------|
| 6,209,258 B1 * | 4/2001 | Schneider | | 47/46 |
| D483,198 S * | 12/2003 | Davies | | D6/403 |
| D568,061 S | 5/2008 | Kurtz | | |
| D569,302 S | 5/2008 | Kurtz | | |
| D569,303 S | 5/2008 | Kurtz | | |
| D587,626 S * | 3/2009 | Kurtz | | D11/155 |
| D604,528 S * | 11/2009 | Hiatt | | D6/405 |

* cited by examiner

Primary Examiner—Caron Veynar

Assistant Examiner—Garth Rademaker

(74) *Attorney, Agent, or Firm*—Barley Snyder LLC

(57) **CLAIM**

The ornamental design for a planter cage, as shown and described.

DESCRIPTION

FIG. 1 is a top, front and right side perspective view of a planter cage, showing my new design;

FIG. 2 is a front elevation view thereof, the rear elevation view being identical thereto;

FIG. 3 is a right side elevation view thereof, the left side elevation view being identical thereto;

FIG. 4 is a top plan view thereof; and,

FIG. 5 is a bottom plan view thereof.

Broken lines shown in FIG. 1 represent environmental structure and form no part of the claimed invention.

1 Claim, 3 Drawing Sheets

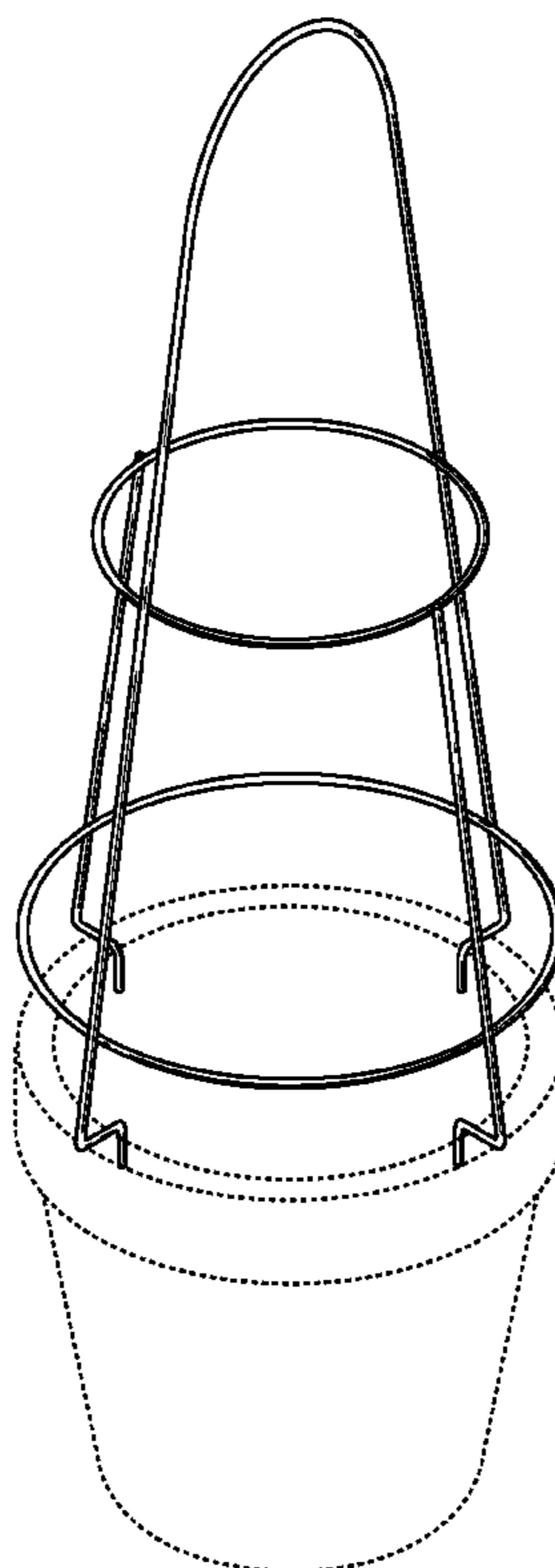


FIG. 1

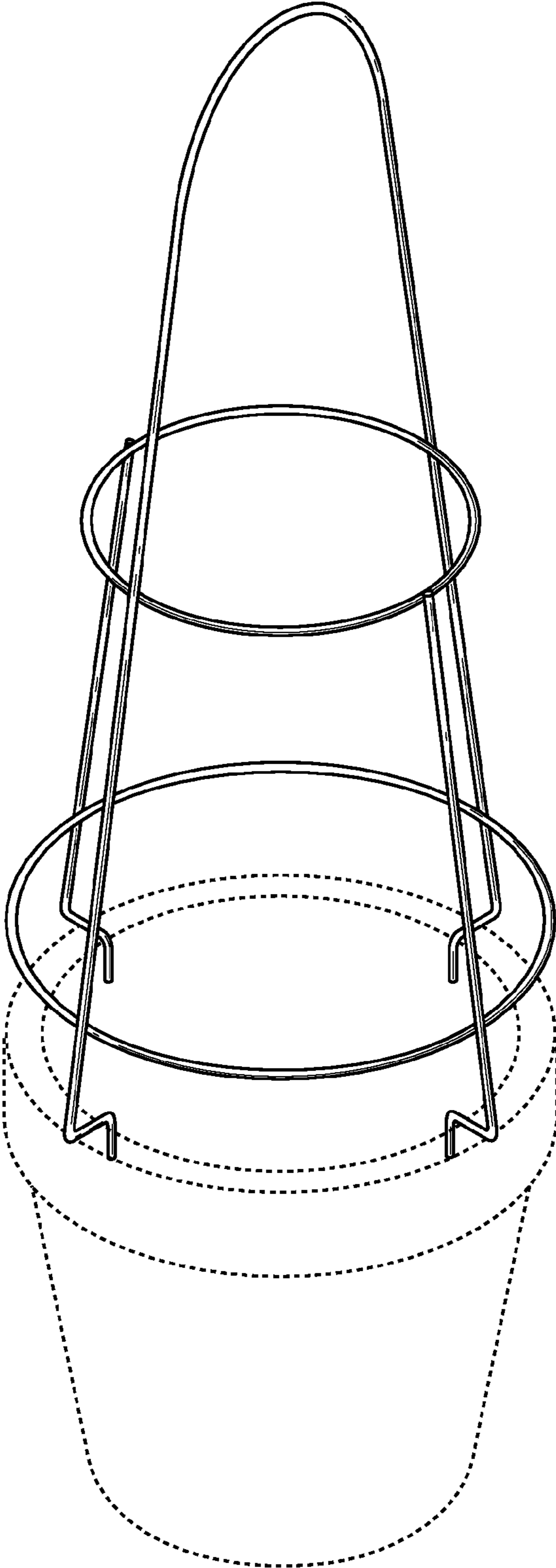


FIG. 2

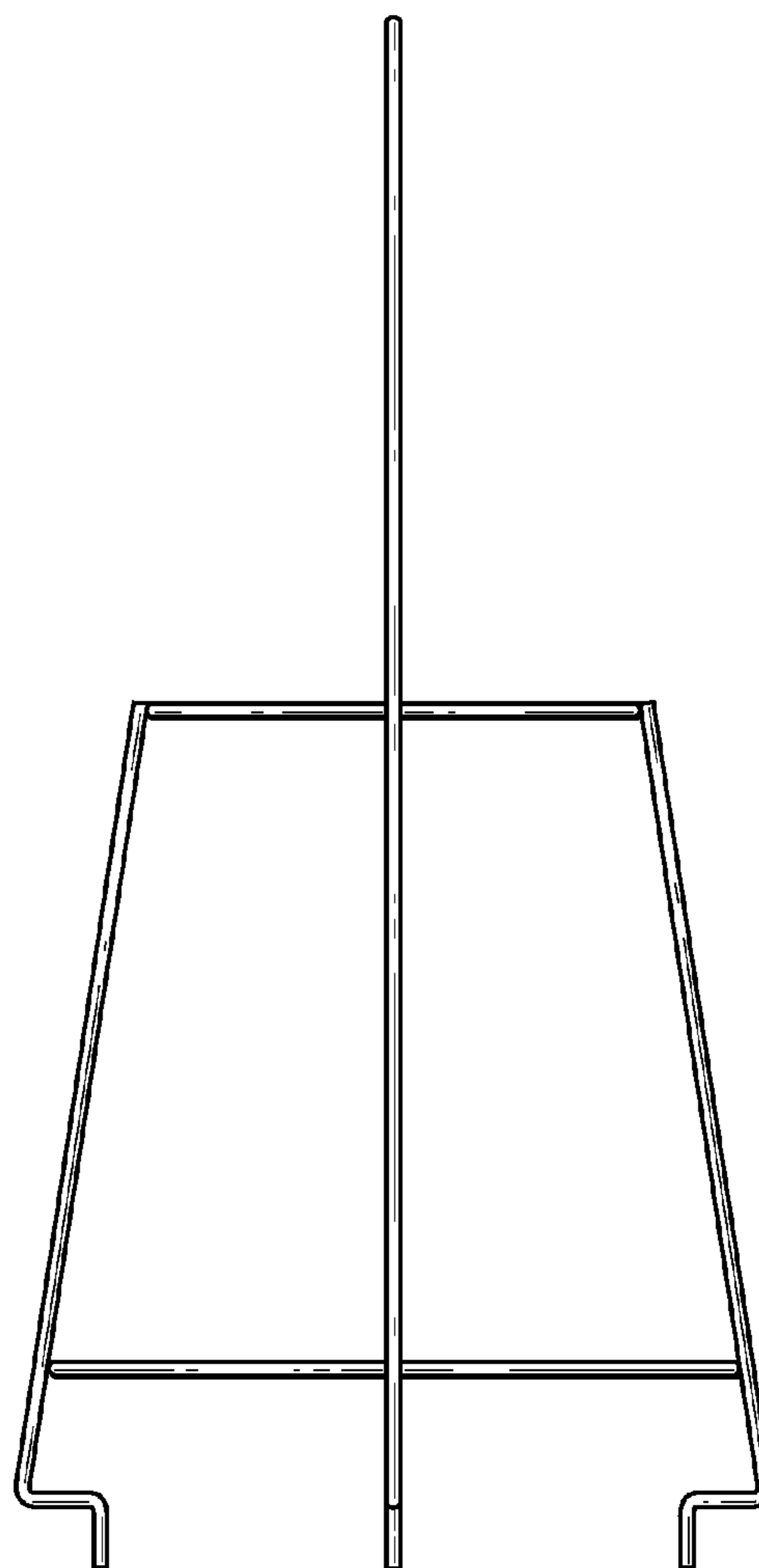
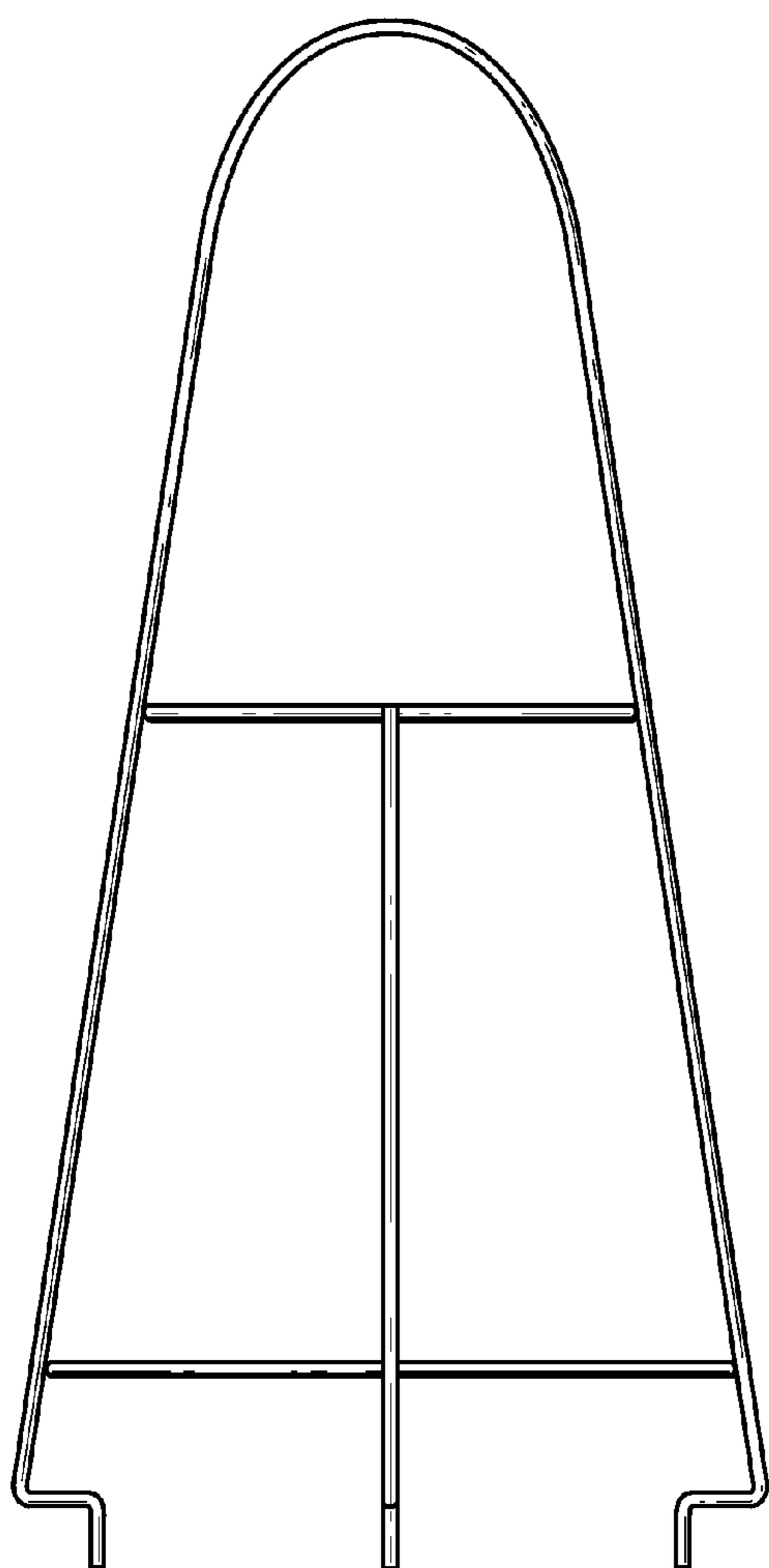


FIG. 3

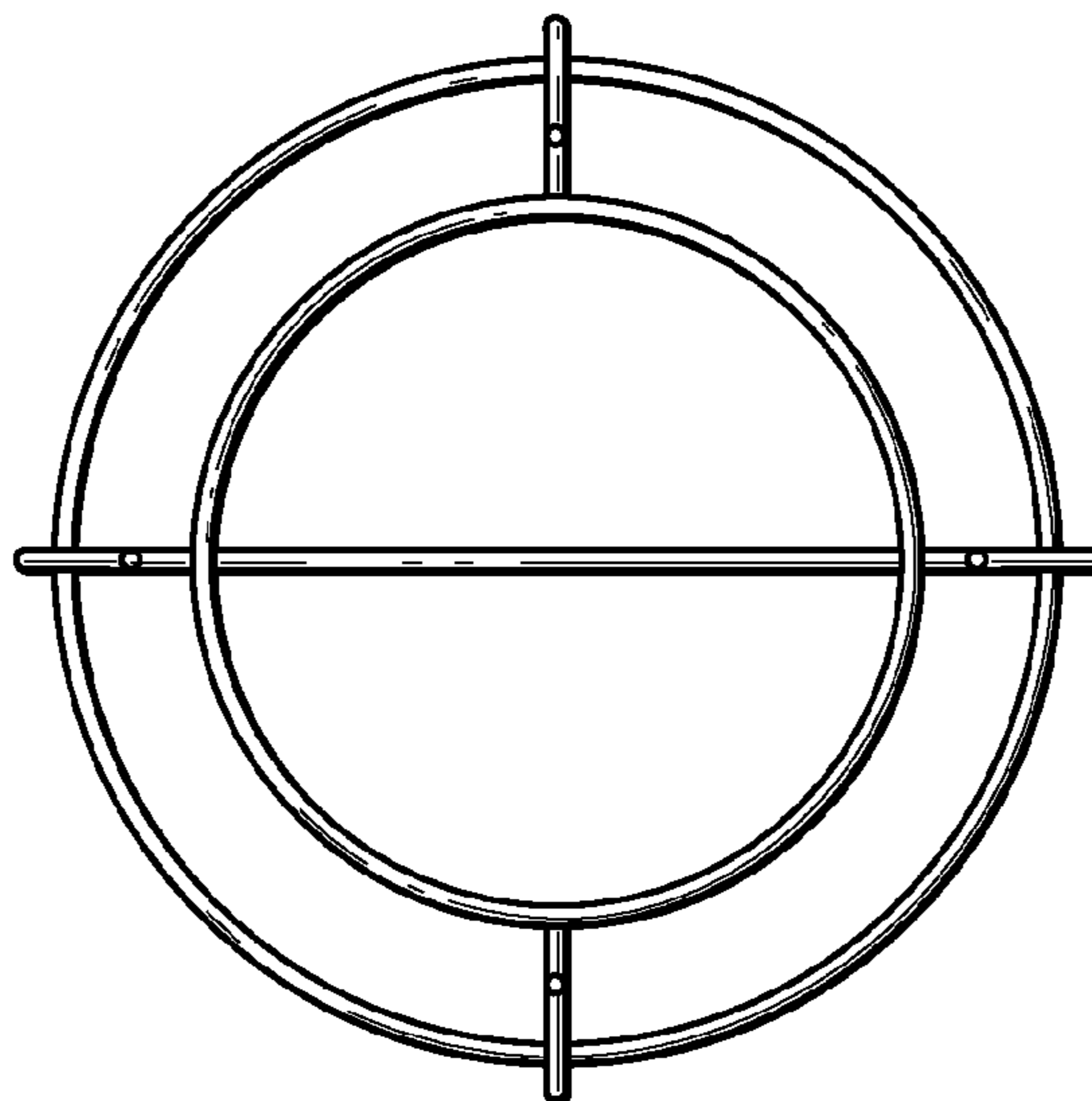
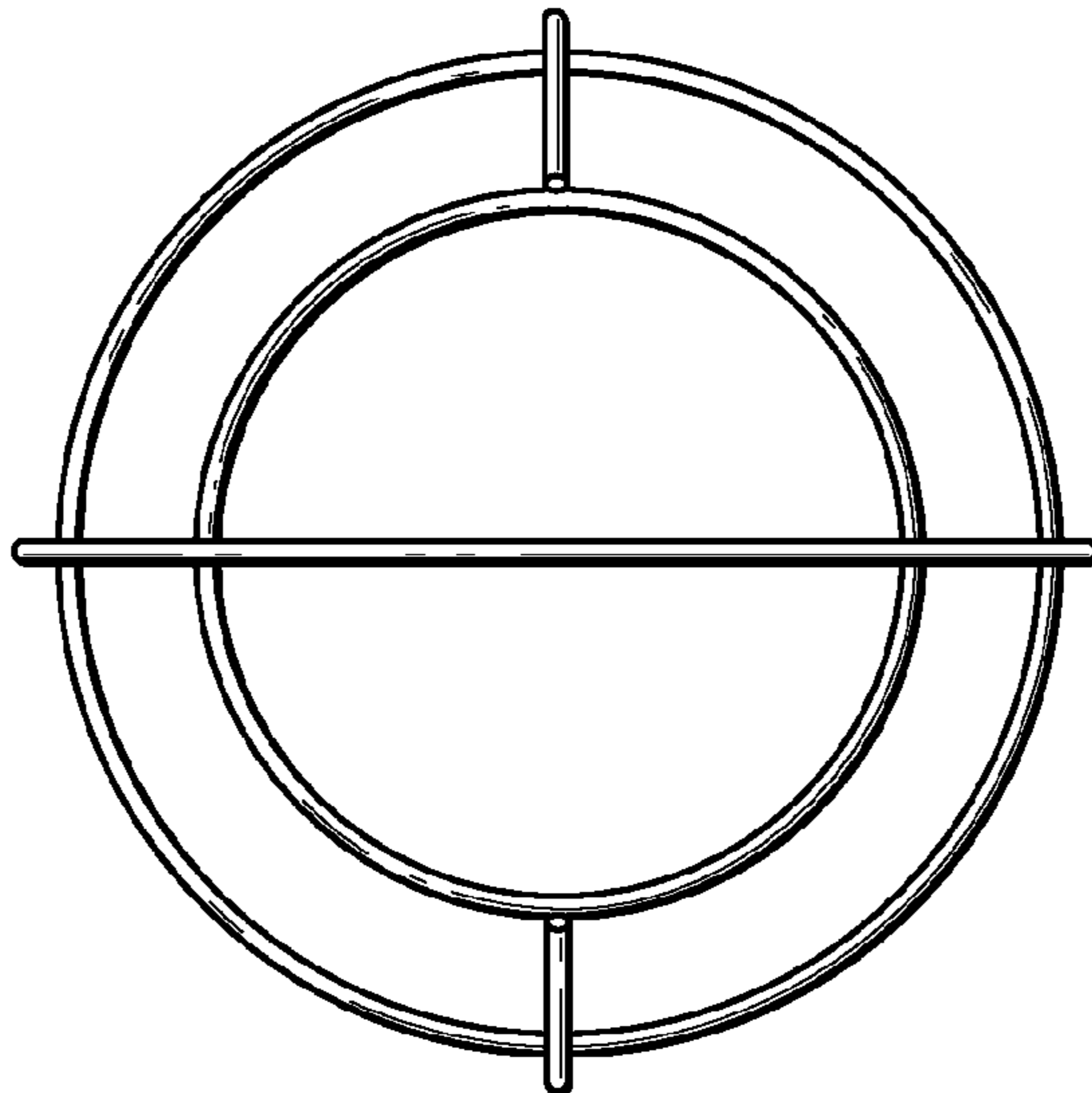


FIG. 5