

US00D617111S

(12) **United States Design Patent**
Natuzzi

(10) **Patent No.:** **US D617,111 S**
(45) **Date of Patent:** **** Jun. 8, 2010**

- (54) **SOFA**
- (75) Inventor: **Pasquale Natuzzi**, Santeramo in Colle
Bari (IT)
- (73) Assignee: **Natuzzi S.p.A.** (IT)
- (**) Term: **14 Years**
- (21) Appl. No.: **29/296,678**
- (22) Filed: **Oct. 25, 2007**
- (51) **LOC (9) Cl.** **06-01**
- (52) **U.S. Cl.** **D6/381**
- (58) **Field of Classification Search** D6/334,
D6/349, 355, 359, 369, 370, 371, 381-383,
D6/491, 492, 500-503; 297/94, 181, 233,
297/234, 235, 283.2, 311, 351, 353, 354.1,
297/354.12, 354.13, 445.1, 451.1, 451.8,
297/451.9; 5/12.1, 12.2
See application file for complete search history.

- D476,163 S * 6/2003 Ricci D6/381
- D477,472 S * 7/2003 Bauchet D6/381
- D479,409 S * 9/2003 Nicoletti D6/381
- D487,645 S * 3/2004 Natuzzi D6/381
- D492,498 S * 7/2004 Natuzzi D6/381
- D500,928 S * 1/2005 Nastri D6/381
- D552,871 S * 10/2007 Natuzzi D6/381
- D564,774 S * 3/2008 Woods et al. D6/381
- D584,524 S * 1/2009 Ricci D6/381
- D590,165 S * 4/2009 Natuzzi D6/381
- D601,824 S * 10/2009 Dordoni D6/381

* cited by examiner

Primary Examiner—Sandra Snapp

(74) *Attorney, Agent, or Firm*—St. Onge Steward Johnston & Reens LLC

(57) **CLAIM**

The ornamental design for a sofa, as shown and described.

DESCRIPTION

FIG. 1 is a front elevation view of the sofa showing my design.

FIG. 2 is top plan view thereof;

FIG. 3 is a back view thereof; and,

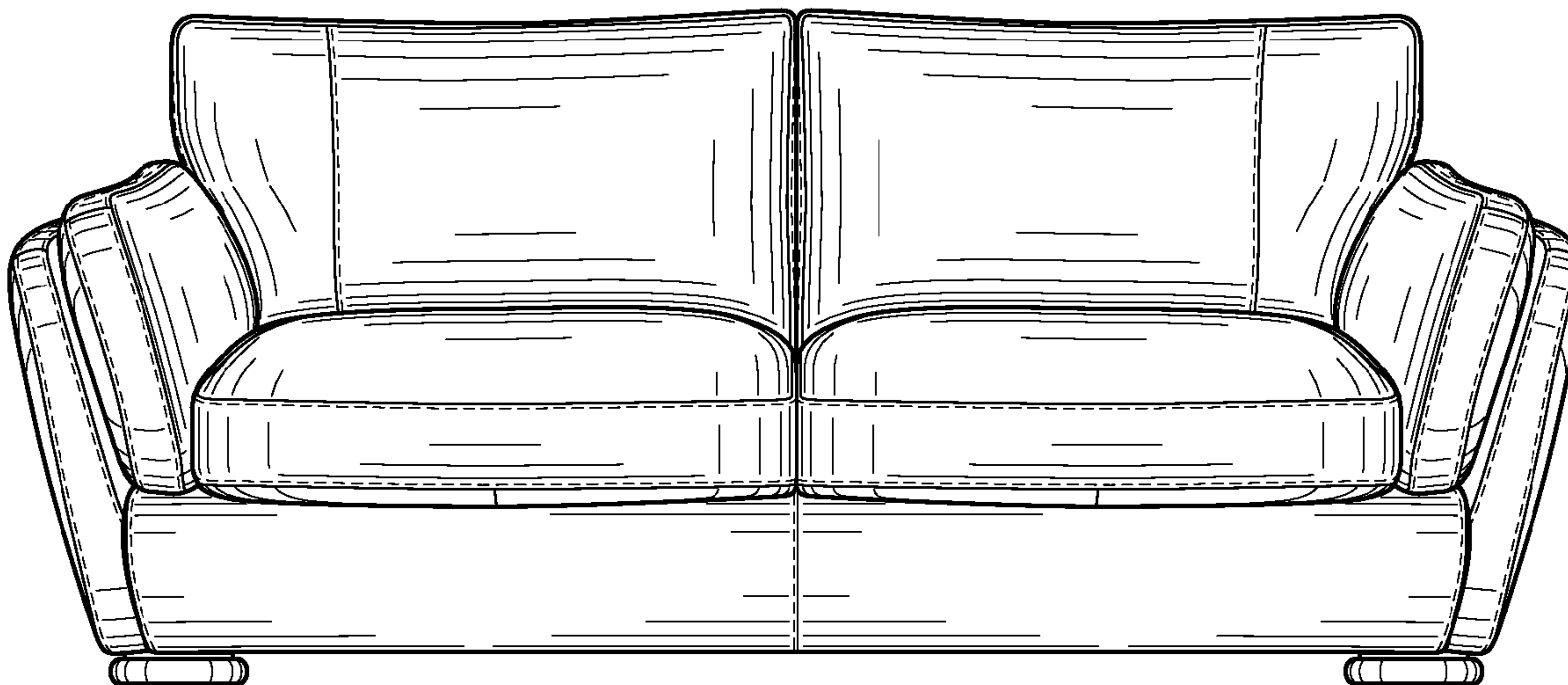
FIG. 4 is a side view thereof, an opposite side view being a mirror image thereof.

The broken lines shown on the sofa are understood to represent stitching.

1 Claim, 2 Drawing Sheets

(56) **References Cited**
U.S. PATENT DOCUMENTS

- D369,478 S * 5/1996 Riboldi D6/381
- D407,229 S * 3/1999 Riboldi D6/381
- D423,808 S * 5/2000 Natuzzi et al. D6/381
- D427,448 S * 7/2000 Natuzzi et al. D6/381
- D446,961 S * 8/2001 Natuzzi et al. D6/381
- D448,946 S * 10/2001 Goetz D6/381



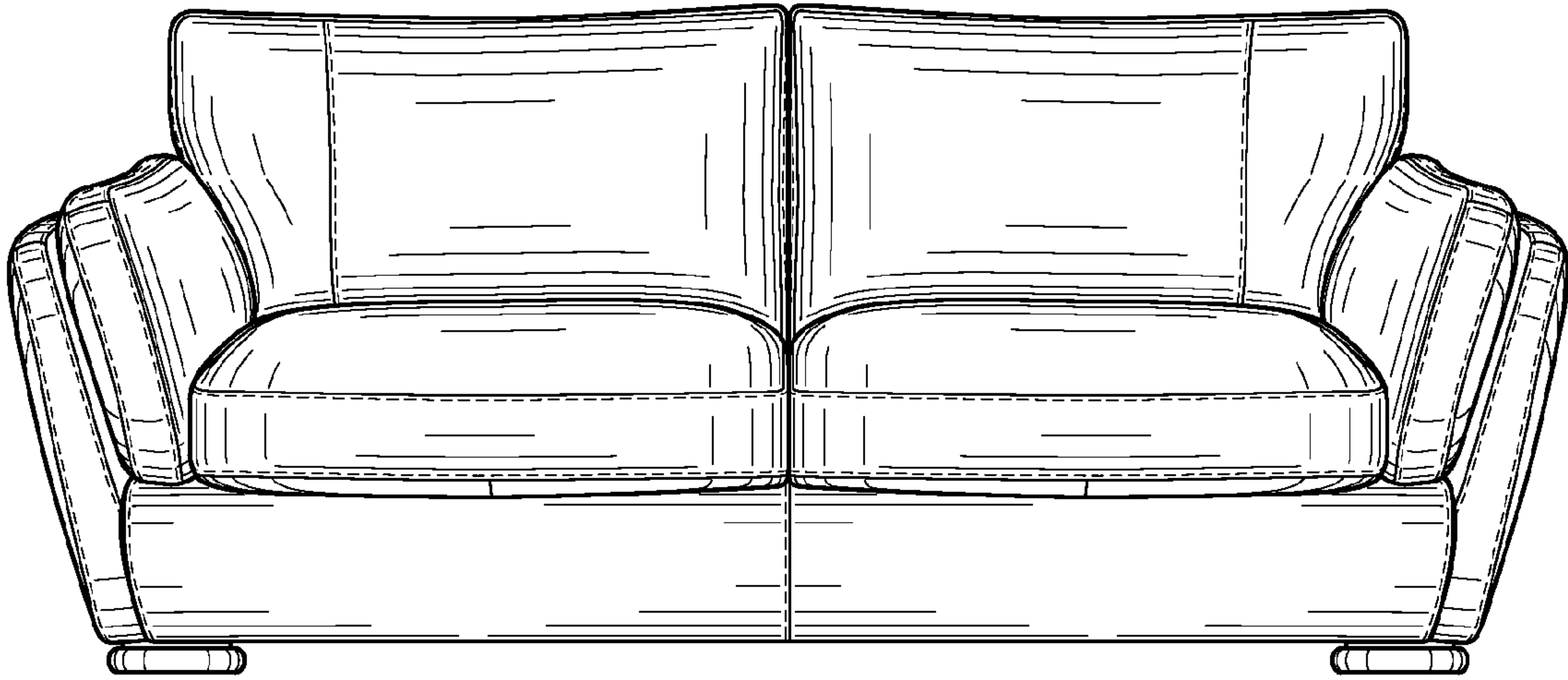


FIG. 1

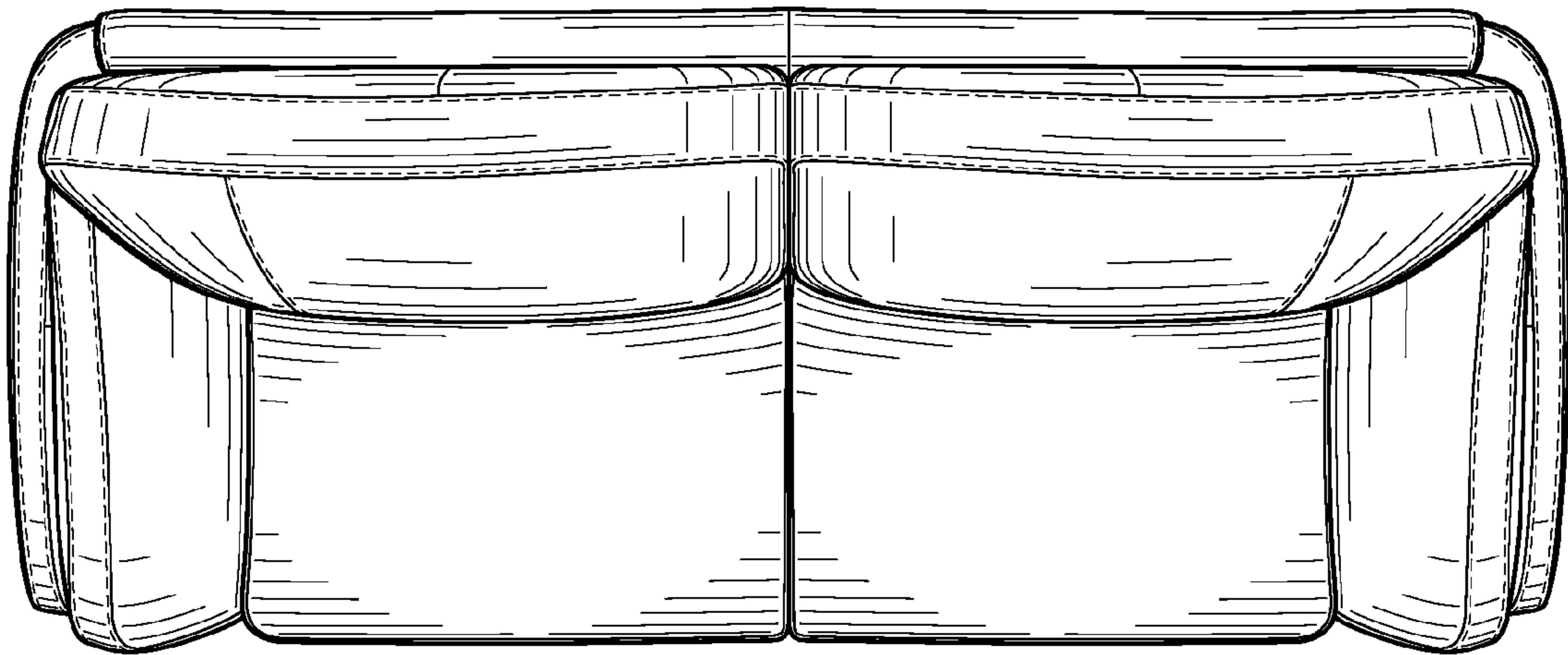


FIG. 2

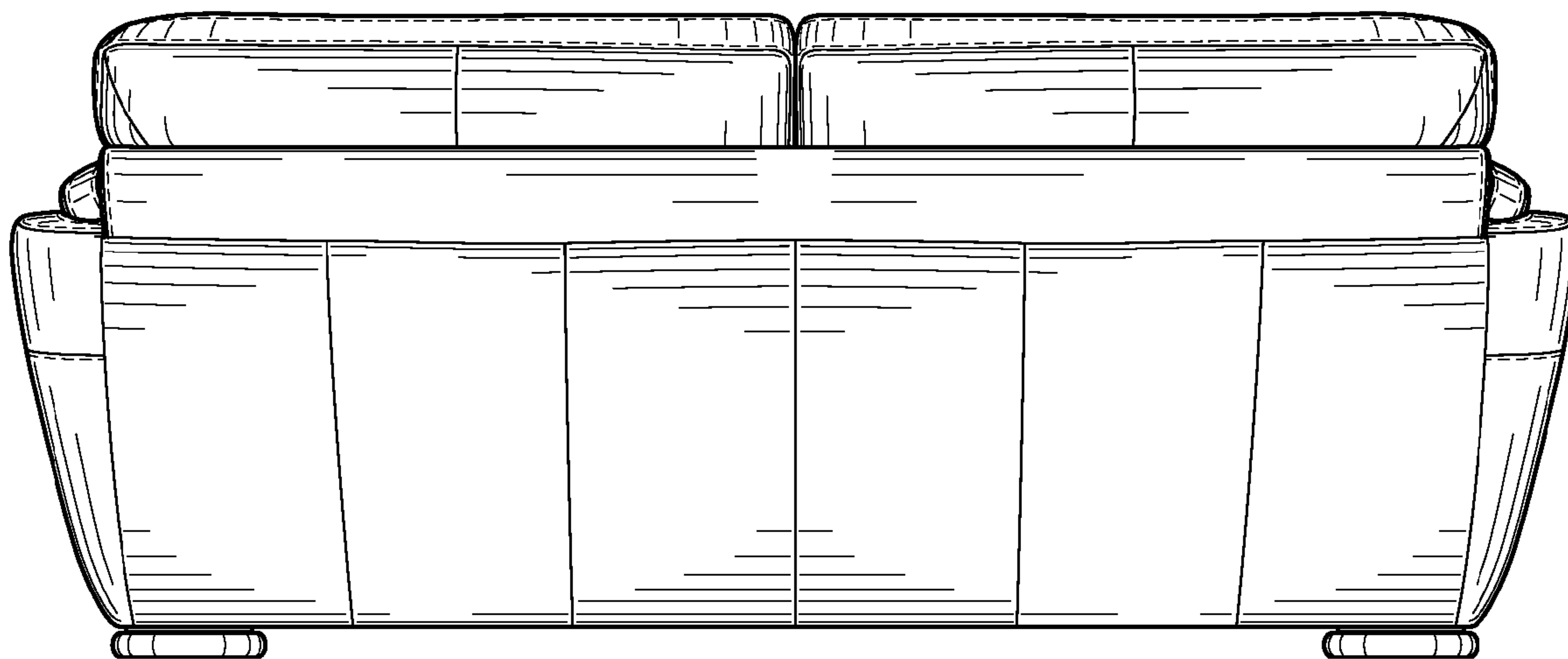


FIG. 3

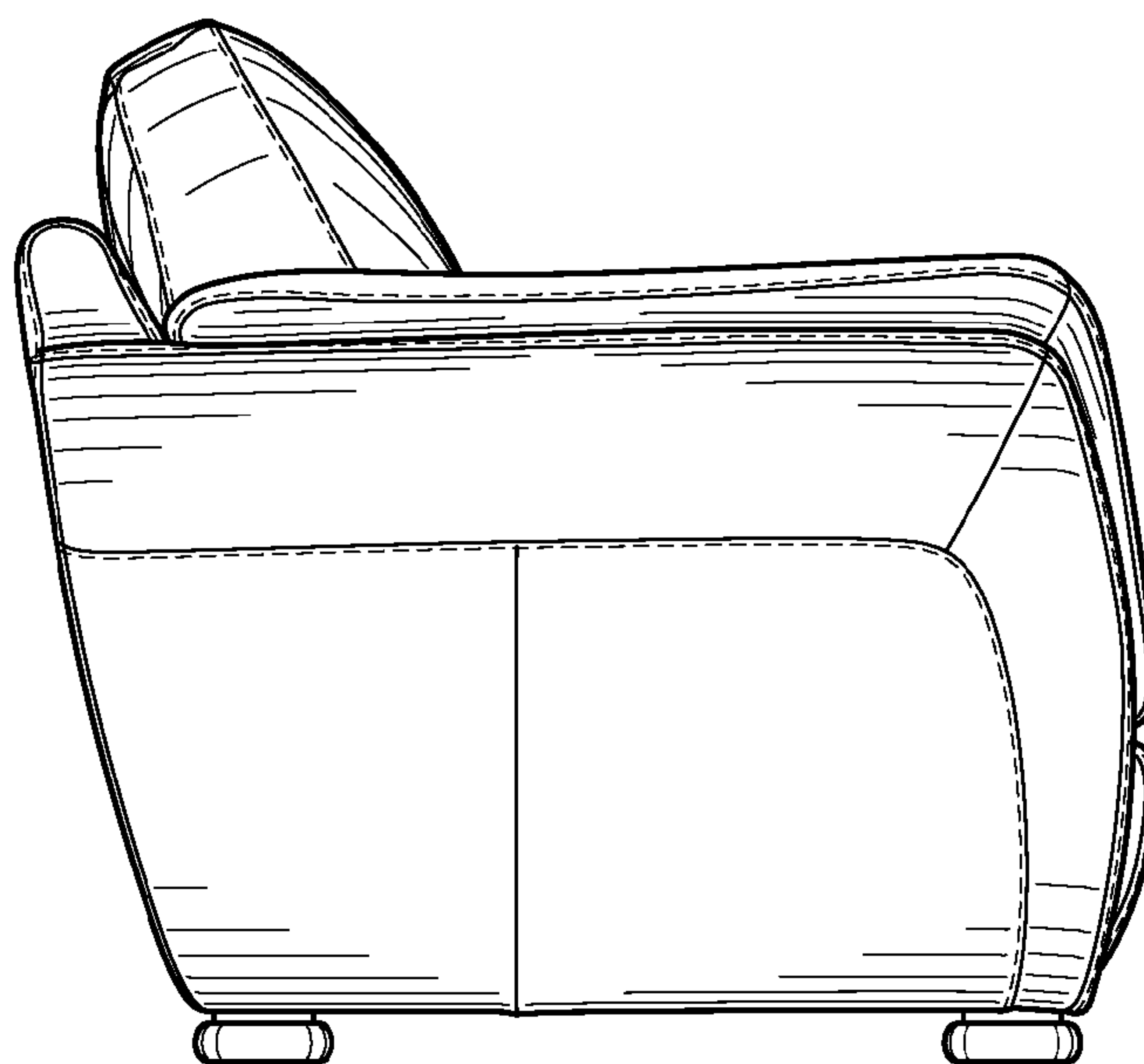


FIG. 4