



US00D617107S

(12) **United States Design Patent**
Thuente et al.

(10) **Patent No.:** **US D617,107 S**
(45) **Date of Patent:** **** Jun. 8, 2010**

(54) **SEAT ASSEMBLY**

5,695,099 A 12/1997 Strum
5,996,738 A 12/1999 Nelson
6,308,800 B1 10/2001 Graham, Jr.

(76) Inventors: **John F. Thuente**, 12199 Le Sueur Ave.,
Montgomery, MN (US) 56069; **Bradley**
D. Giese, N2681 830th St., Hager City,
WI (US) 54014

(Continued)

(**) Term: **14 Years**

Primary Examiner—Mimosa De
(74) *Attorney, Agent, or Firm*—Patterson, Thuente,
Christensen Pedersen, P.A.

(21) Appl. No.: **29/353,164**

(22) Filed: **Jan. 4, 2010**

(57) **CLAIM**

We claim the ornamental design for an seat assembly, as
shown and described.

Related U.S. Application Data

(63) Continuation of application No. 11/369,688, filed on
Mar. 7, 2006.

DESCRIPTION

(51) **LOC (9) Cl.** **06-01**

(52) **U.S. Cl.** **D6/362**

(58) **Field of Classification Search** D6/334–336,
D6/355, 362, 367, 368, 370, 378, 500–502,
D6/553, 555, 567; 297/4, 14, 16.1, 130,
297/252, 256.1, 331; 4/578.1, 579, 611,
4/614; 108/44, 116, 129, 134; 182/91, 135,
182/136, 187, 188; 248/220.1, 240, 240.1
See application file for complete search history.

FIG. 1 is a perspective view of a seat assembly according to an
embodiment of the invention with the seat member disposed
above the base and the seat being folded down.

FIG. 2 is a perspective view of a seat assembly according to an
embodiment of the invention with the seat member coupled to
the base member and the seat being folded up.

FIG. 3 is a first side elevational view of the seat assembly with
the seat and base members coupled and the seat folded down.

FIG. 4 is a rear elevational view of the seat assembly of FIG.
3.

FIG. 5 is a second side elevational view of the seat assembly
of FIG. 3.

FIG. 6 is a front elevational view of the seat assembly of FIG.
3.

FIG. 7 is a top plan form view of the seat assembly of FIG. 3;
and,

FIG. 8 is a bottom plan form view of the seat assembly of FIG.
3.

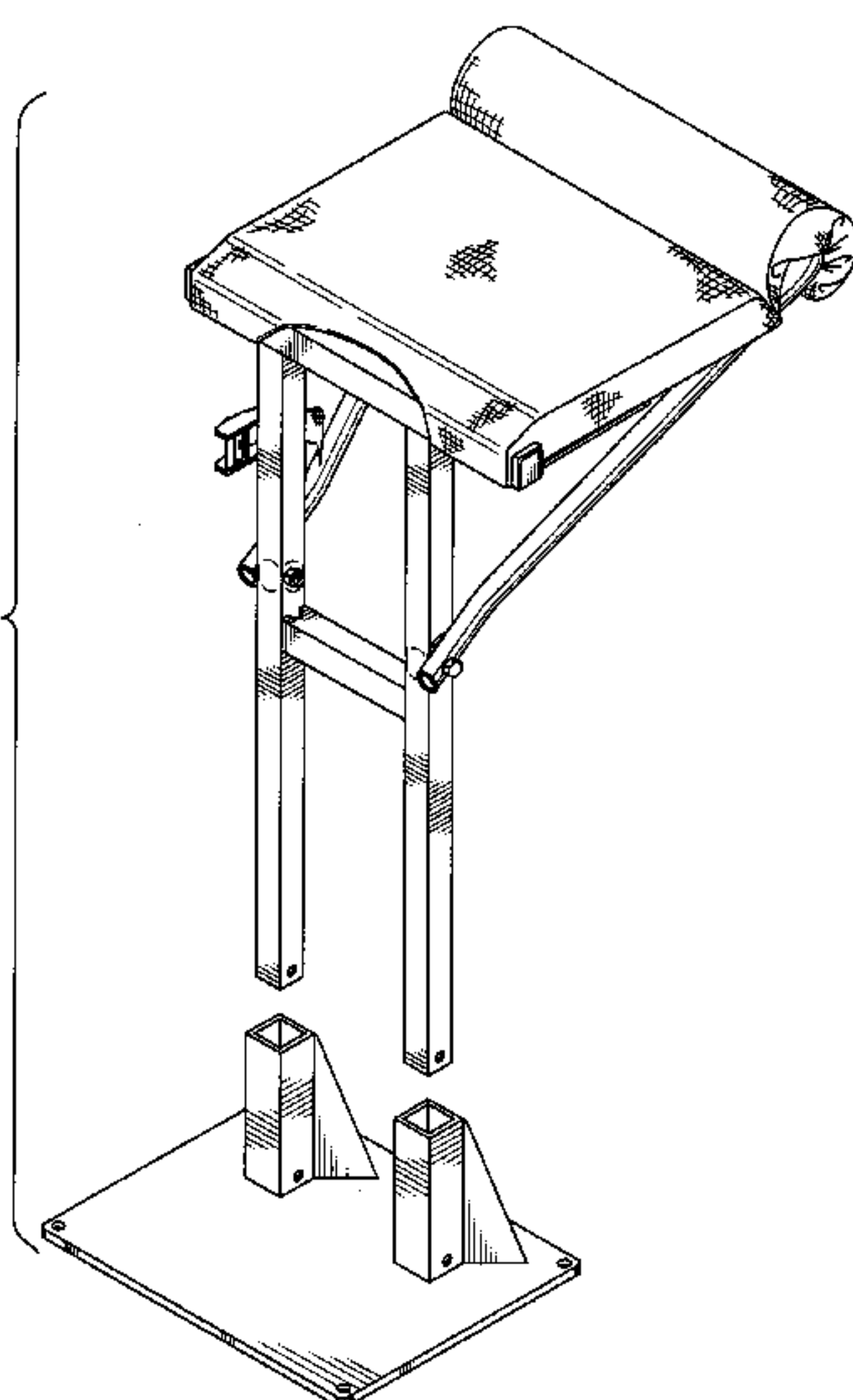
The short dashed lines shown on the seat cushion in FIGS. 2,
7, and 8 are understood to represent stitching.

(56) **References Cited**

U.S. PATENT DOCUMENTS

- 3,392,802 A * 7/1968 Moore 182/187
- 4,321,983 A 3/1982 Nelson
- 4,417,645 A 11/1983 Untz
- 4,452,338 A 6/1984 Untz
- 4,730,700 A * 3/1988 Miller et al. 182/187
- 4,787,476 A * 11/1988 Lee 182/187
- 5,086,874 A 2/1992 Treants
- 5,105,910 A 4/1992 Engstrom
- 5,165,500 A 11/1992 Bass
- 5,205,375 A 4/1993 Shriver
- 5,316,105 A 5/1994 Reggin et al.
- 5,433,291 A 7/1995 Shoestock, Sr.

1 Claim, 8 Drawing Sheets



US D617,107 S

Page 2

U.S. PATENT DOCUMENTS							
				D536,889	S *	2/2007	Self et al. D6/362
				D591,521	S *	5/2009	Luxton et al. D6/362
6,367,585	B1	4/2002	Fast	2003/0029675	A1	2/2003	Prejean
6,386,321	B1	5/2002	Muhich	2006/0090962	A1 *	5/2006	McGehee 182/187
6,578,913	B2	6/2003	Wilhelm	2007/0256897	A1 *	11/2007	Feltner 182/187
6,637,708	B1	10/2003	Peterson	2008/0236948	A1 *	10/2008	duCellier 182/187
D494,767	S *	8/2004	Self et al.				D6/362
D495,506	S *	9/2004	Self et al.				D6/362

* cited by examiner

Fig. 1

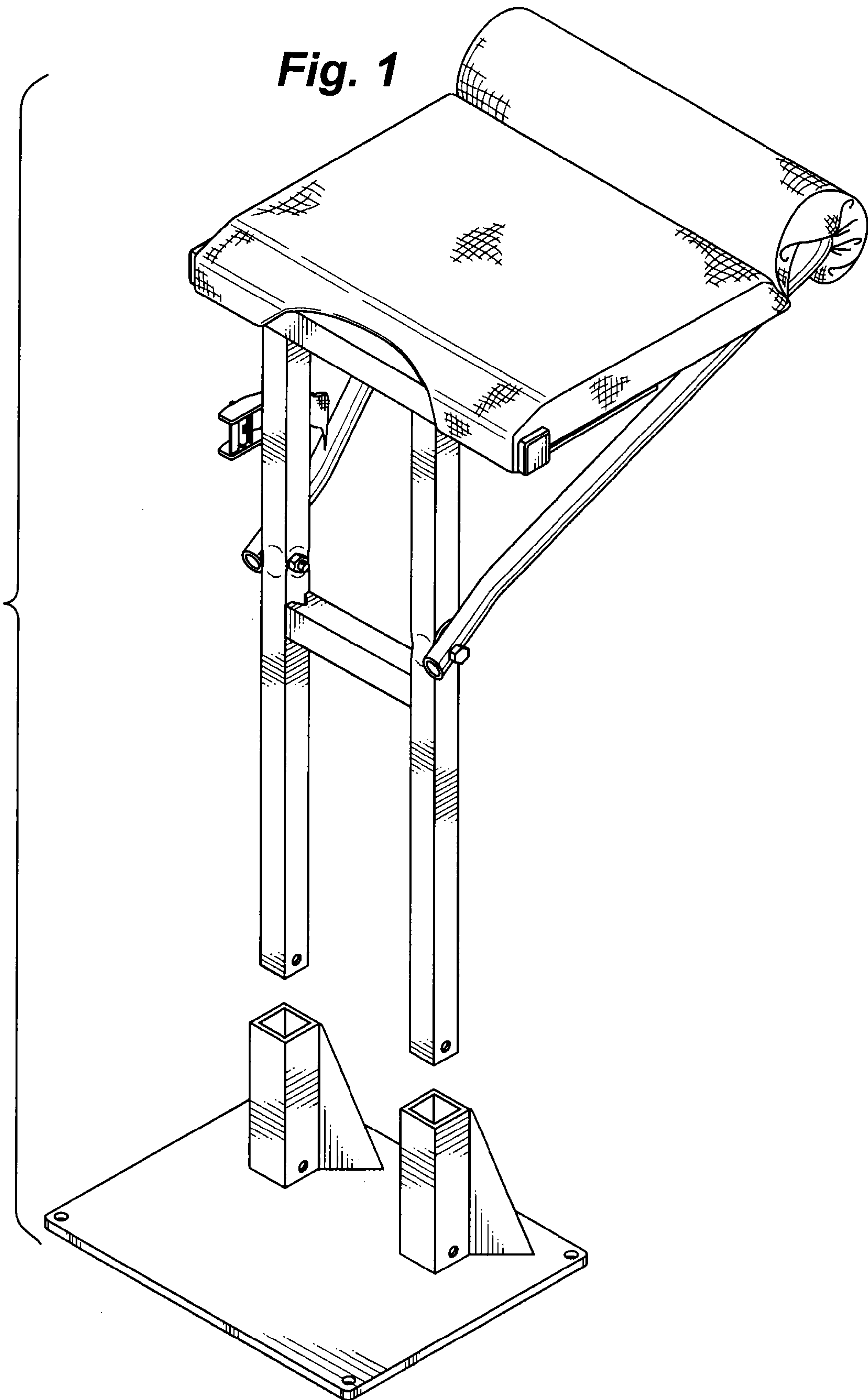


Fig. 2

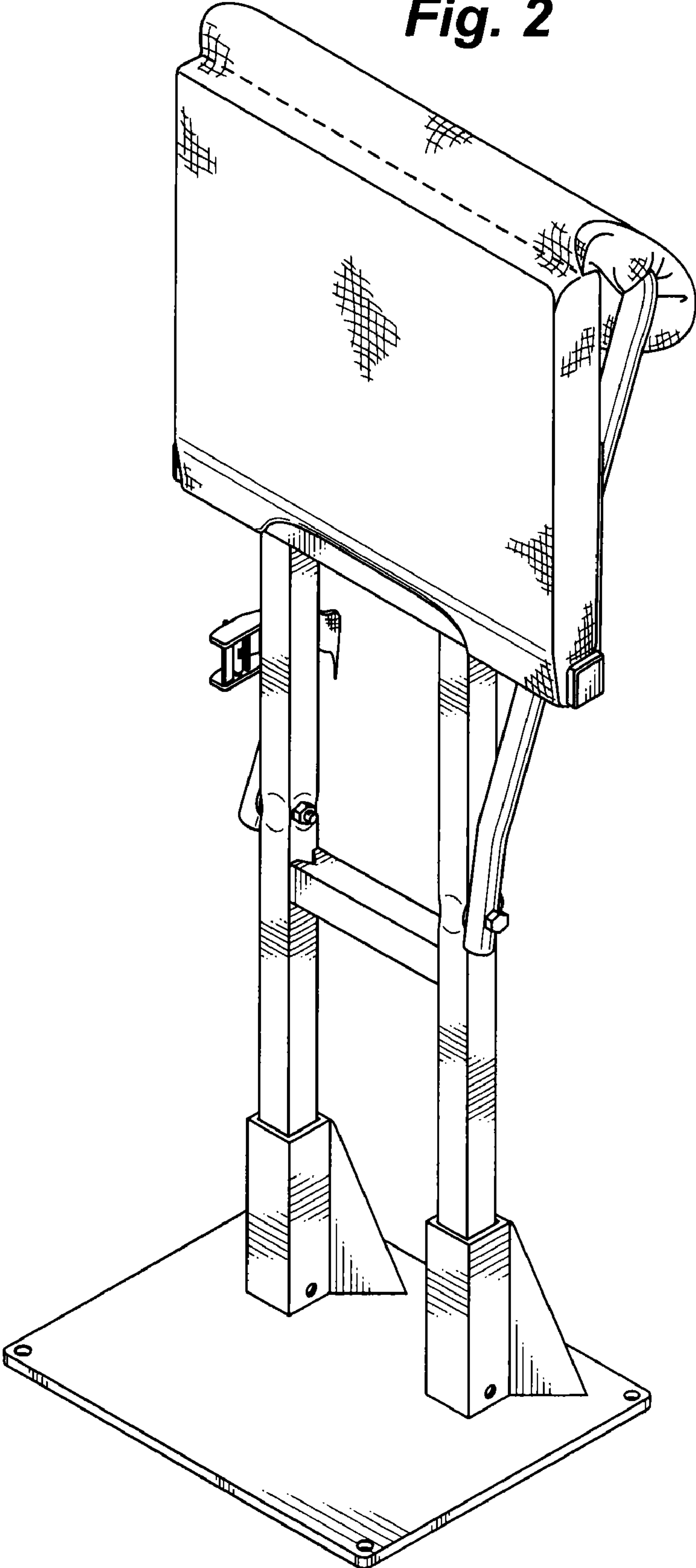


Fig. 3

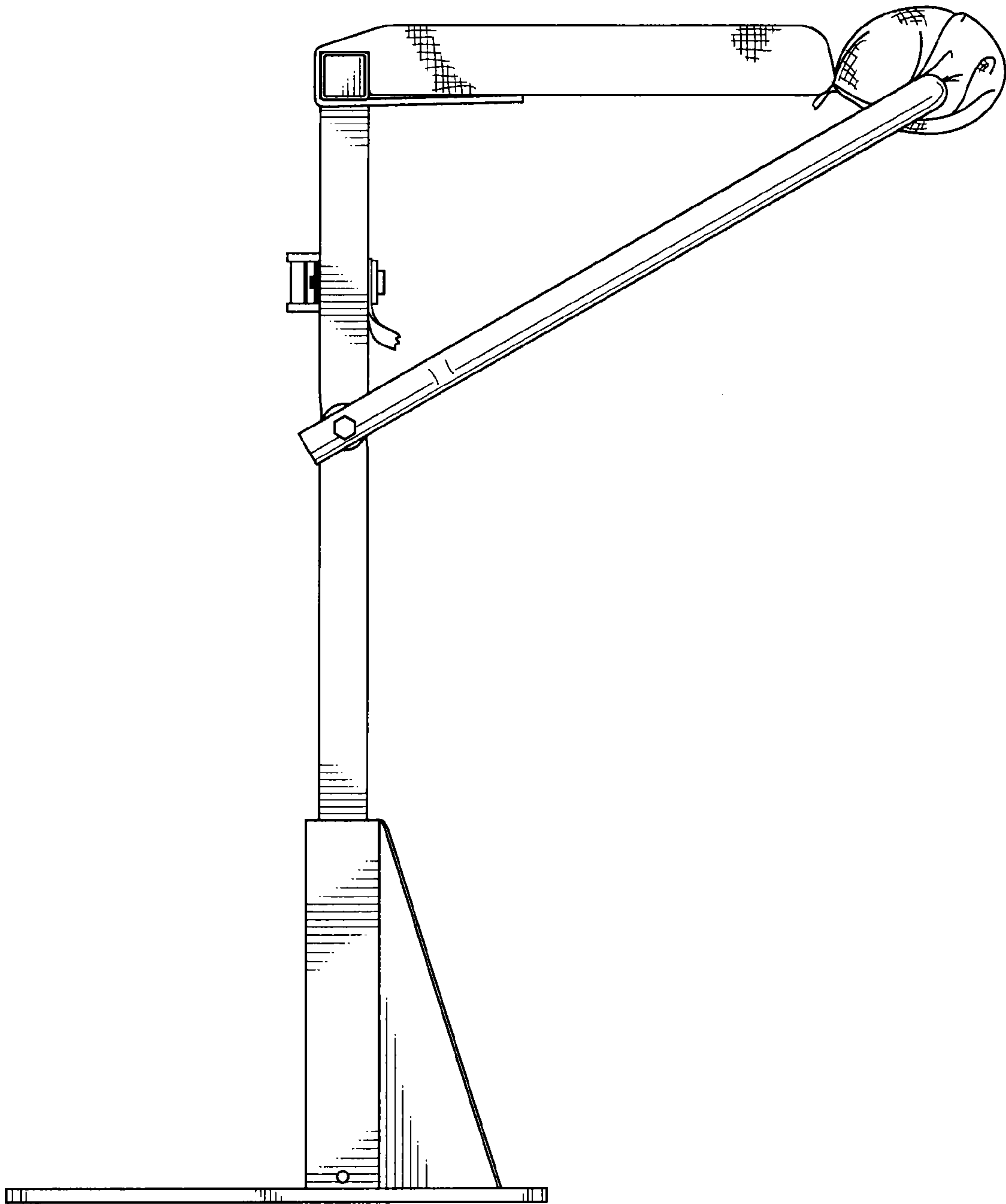


Fig. 4

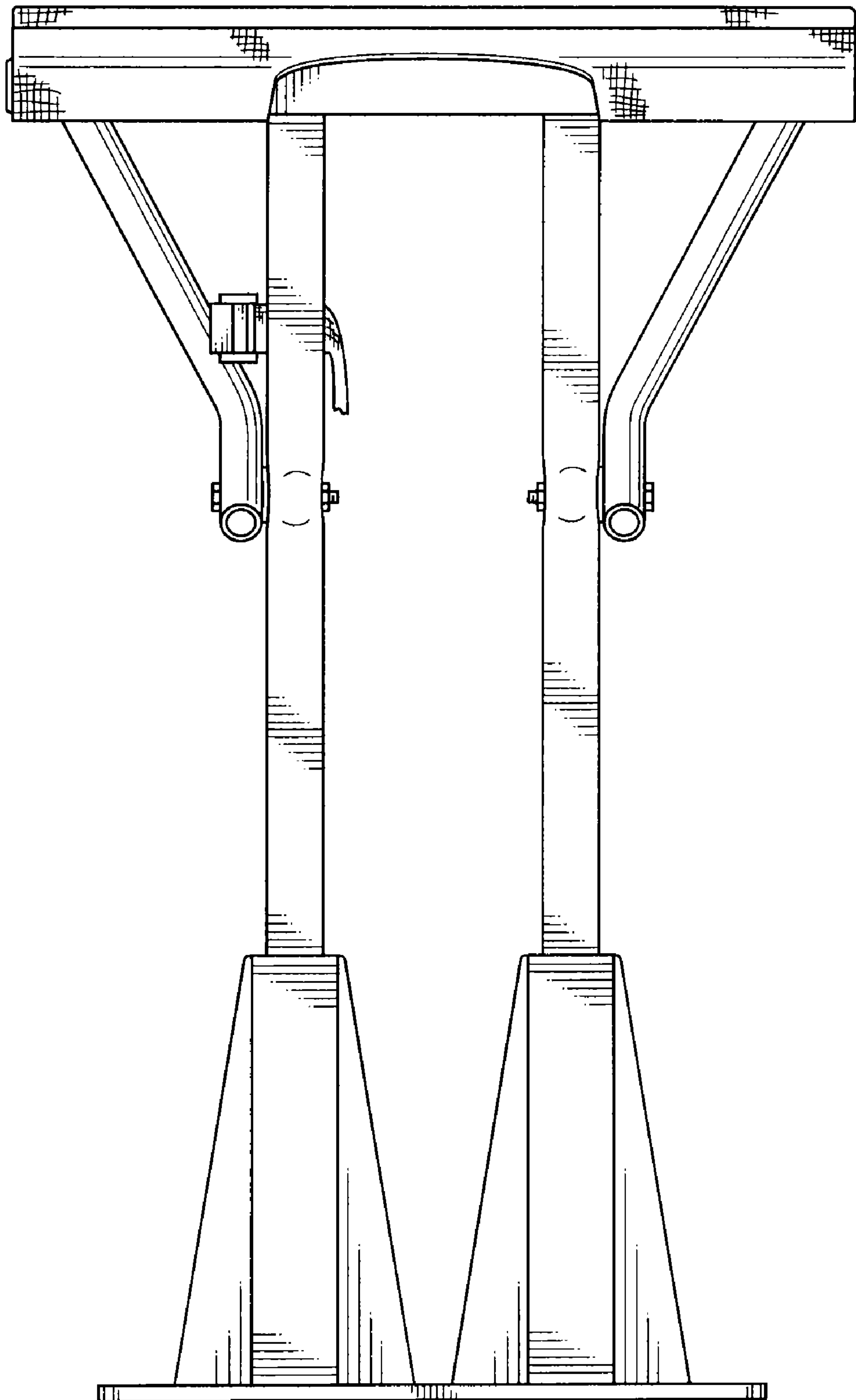


Fig. 5

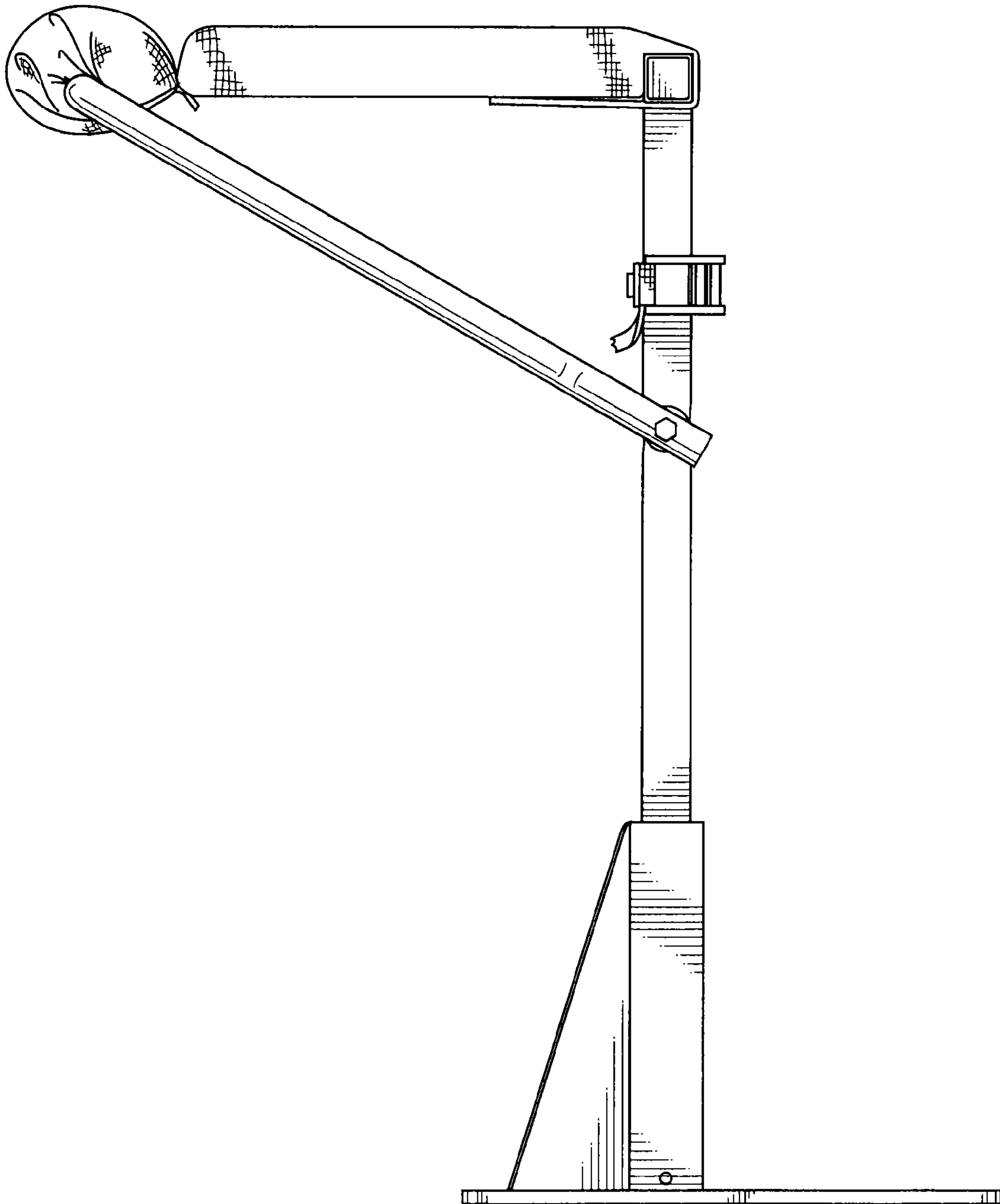


Fig. 6

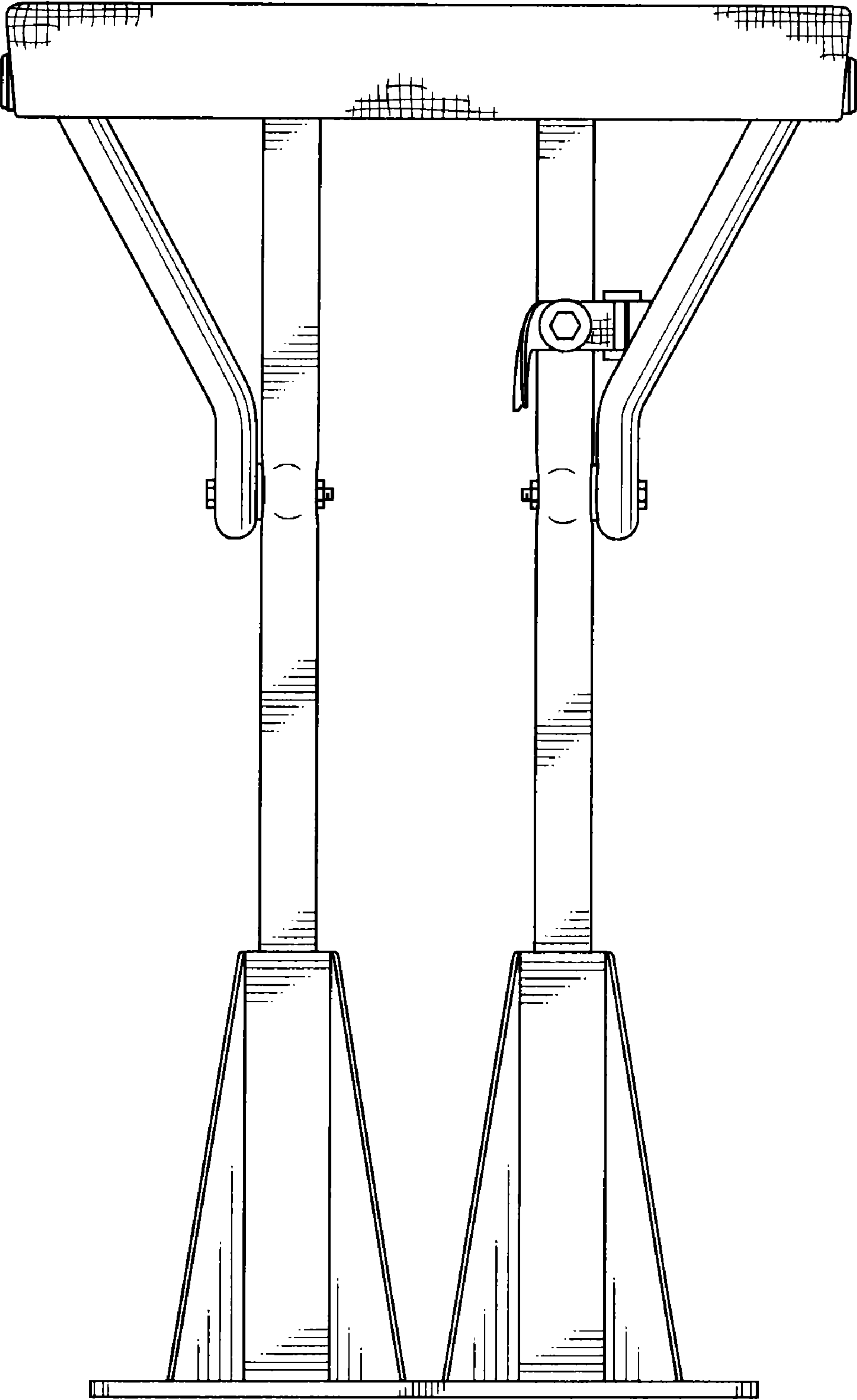


Fig. 7

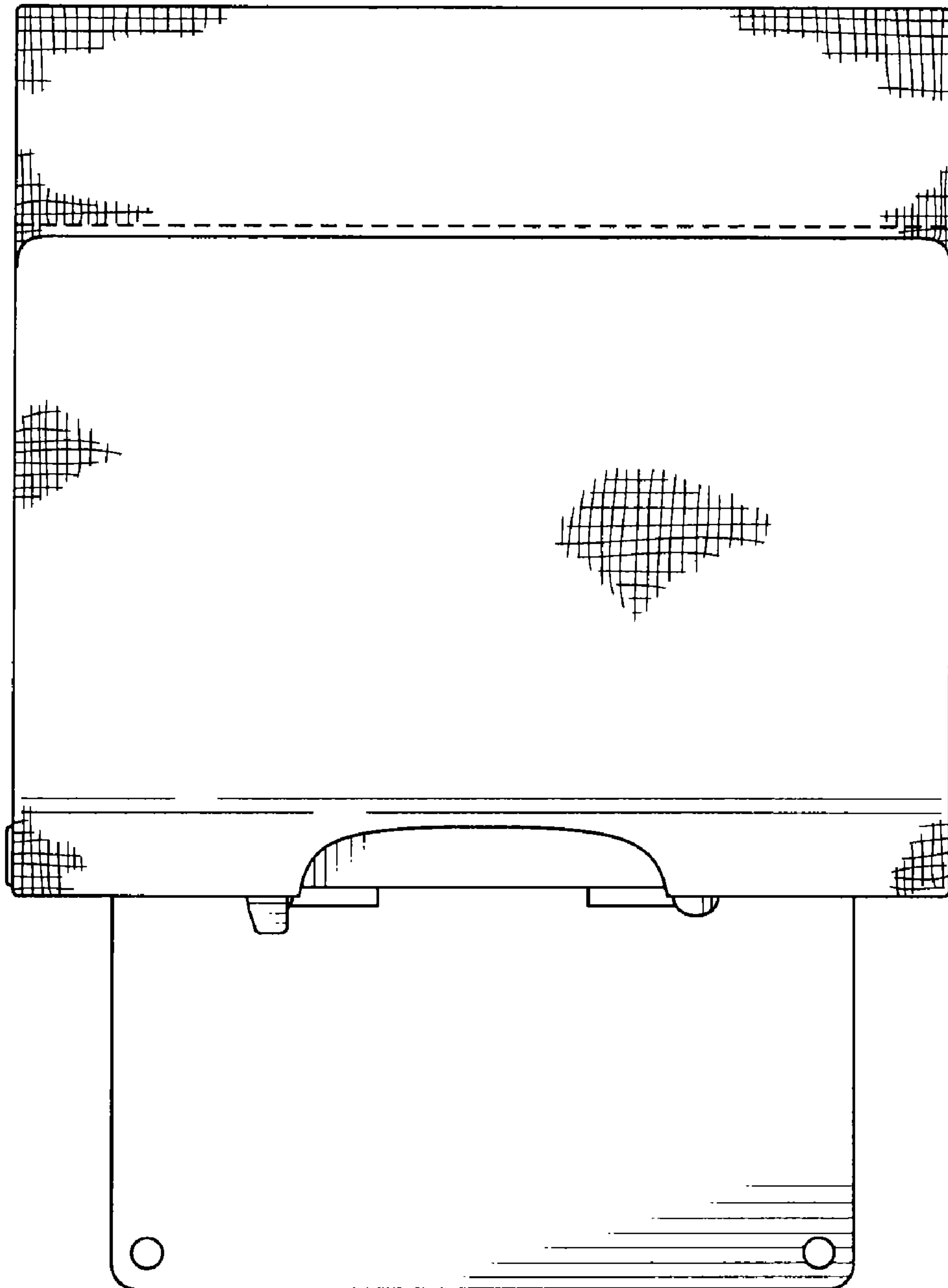


Fig. 8

