



US00D617104S

(12) **United States Design Patent**  
**Wagener**

(10) **Patent No.:** **US D617,104 S**  
(45) **Date of Patent:** **\*\* Jun. 8, 2010**

(54) **VEHICLE SEAT**

(75) Inventor: **Karl-Heinz Wagener**, Guetersloh (DE)

(73) Assignee: **Isringhausen GmbH & Co. KG**,  
Lemgo (DE)

(\*\*) Term: **14 Years**

(21) Appl. No.: **29/314,074**

(22) Filed: **Mar. 2, 2009**

(30) **Foreign Application Priority Data**

Sep. 1, 2008 (EM) ..... 000994744-0001

(51) **LOC (9) Cl.** ..... **06-01**

(52) **U.S. Cl.** ..... **D6/356**

(58) **Field of Classification Search** ..... D6/334-336,  
D6/356, 367, 368, 374, 375, 500-502; 297/232,  
297/354.1, 396, 452.21, 452.24, 452.25,  
297/452.26, 452.29, 452.34, 452.35, 468  
See application file for complete search history.

(56) **References Cited**

**U.S. PATENT DOCUMENTS**

D298,986 S \* 12/1988 Carter ..... D6/356  
D315,255 S \* 3/1991 Beermann ..... D6/356  
D321,095 S \* 10/1991 Bockwoldt ..... D6/356  
D426,392 S \* 6/2000 Ott et al. .... D6/356

D507,122 S \* 7/2005 Beermann ..... D6/356  
D536,185 S \* 2/2007 Ritzel ..... D3/356  
D536,543 S \* 2/2007 Hsu ..... D6/356  
D574,619 S \* 8/2008 Maezono ..... D6/356  
D605,420 S \* 12/2009 Krauss et al. .... D6/356  
2008/0073967 A1 \* 3/2008 Whalen et al. .... 297/468  
2008/0088168 A1 \* 4/2008 Beermann et al. .... 297/468

\* cited by examiner

*Primary Examiner*—Mimosa De

(74) *Attorney, Agent, or Firm*—Stephen M. Evans; Sound  
Intellectual Property PLLC

(57) **CLAIM**

The ornamental design for a vehicle seat, as shown and  
described.

**DESCRIPTION**

FIG. 1 is a perspective view of the vehicle seat;  
FIG. 2 is a front elevation view of the vehicle seat;  
FIG. 3 is a rear elevation view of the vehicle seat;  
FIG. 4 is a right side elevation view of the vehicle seat;  
FIG. 5 is a left side elevation view of the vehicle seat; and,  
FIG. 6 is a top plan view of the vehicle seat.

The broken lines shown in the drawing are for illustrative  
purposes only and form no part of the claimed design.

**1 Claim, 3 Drawing Sheets**

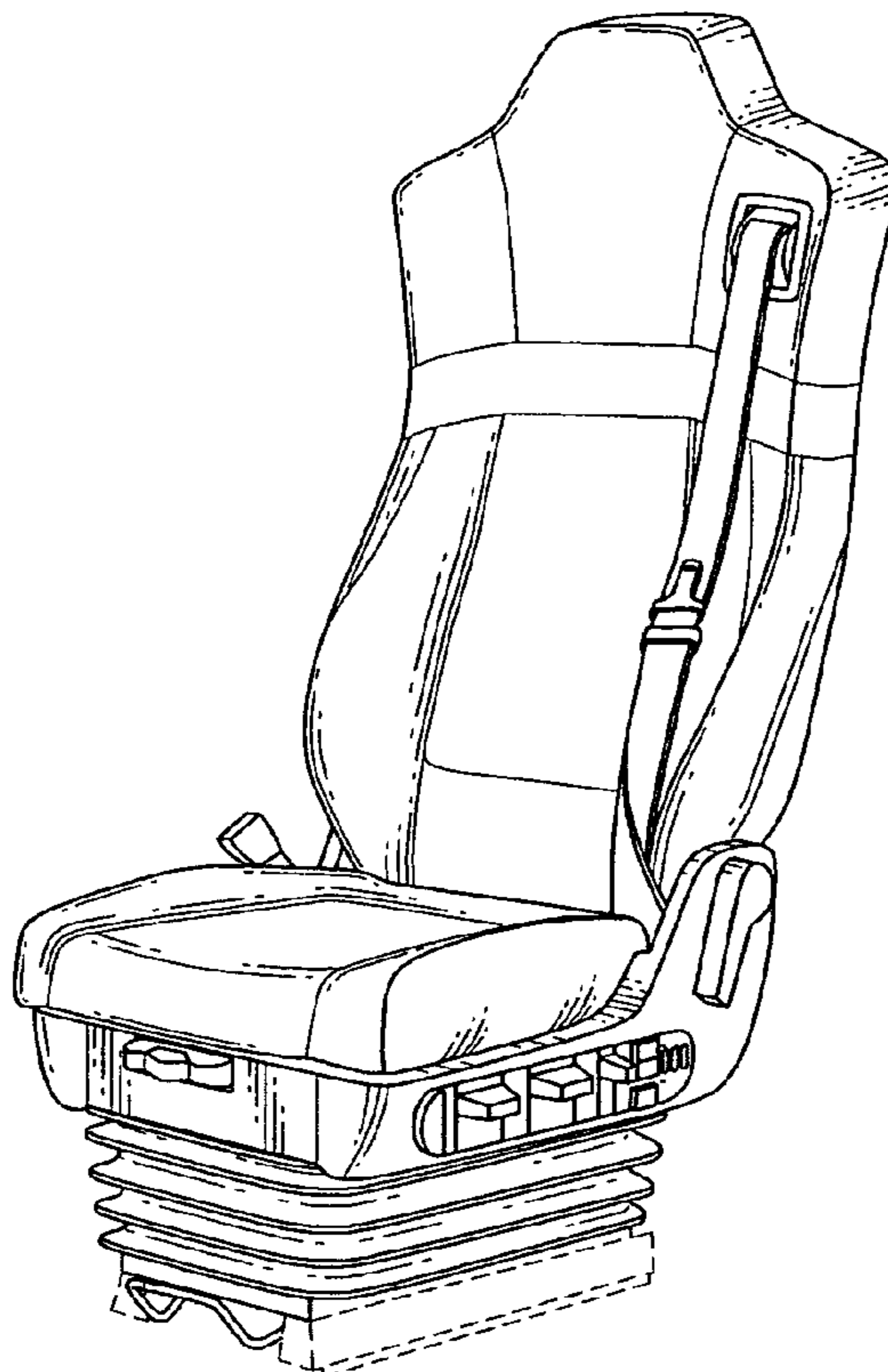


FIG. 1

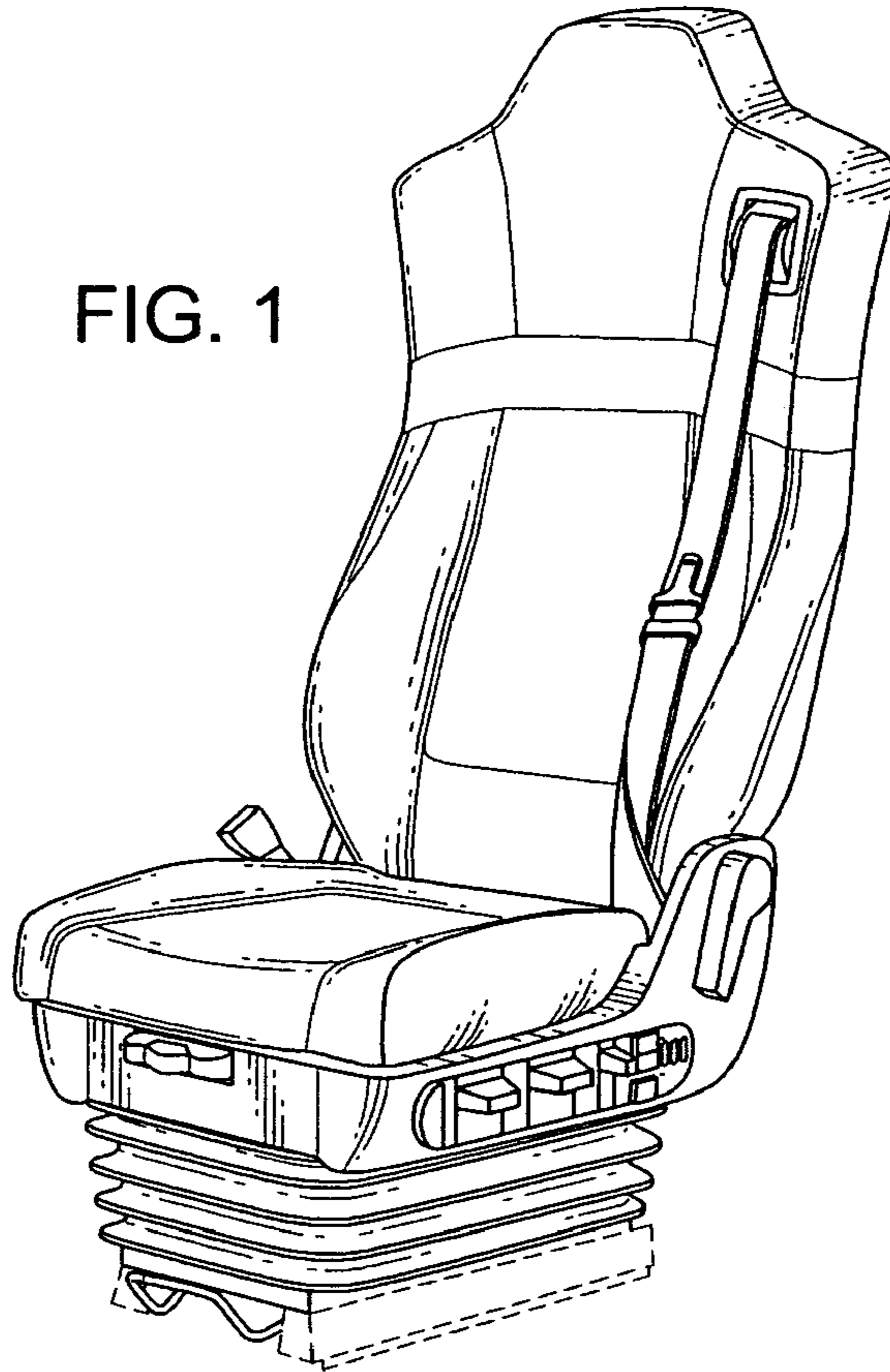


FIG. 6

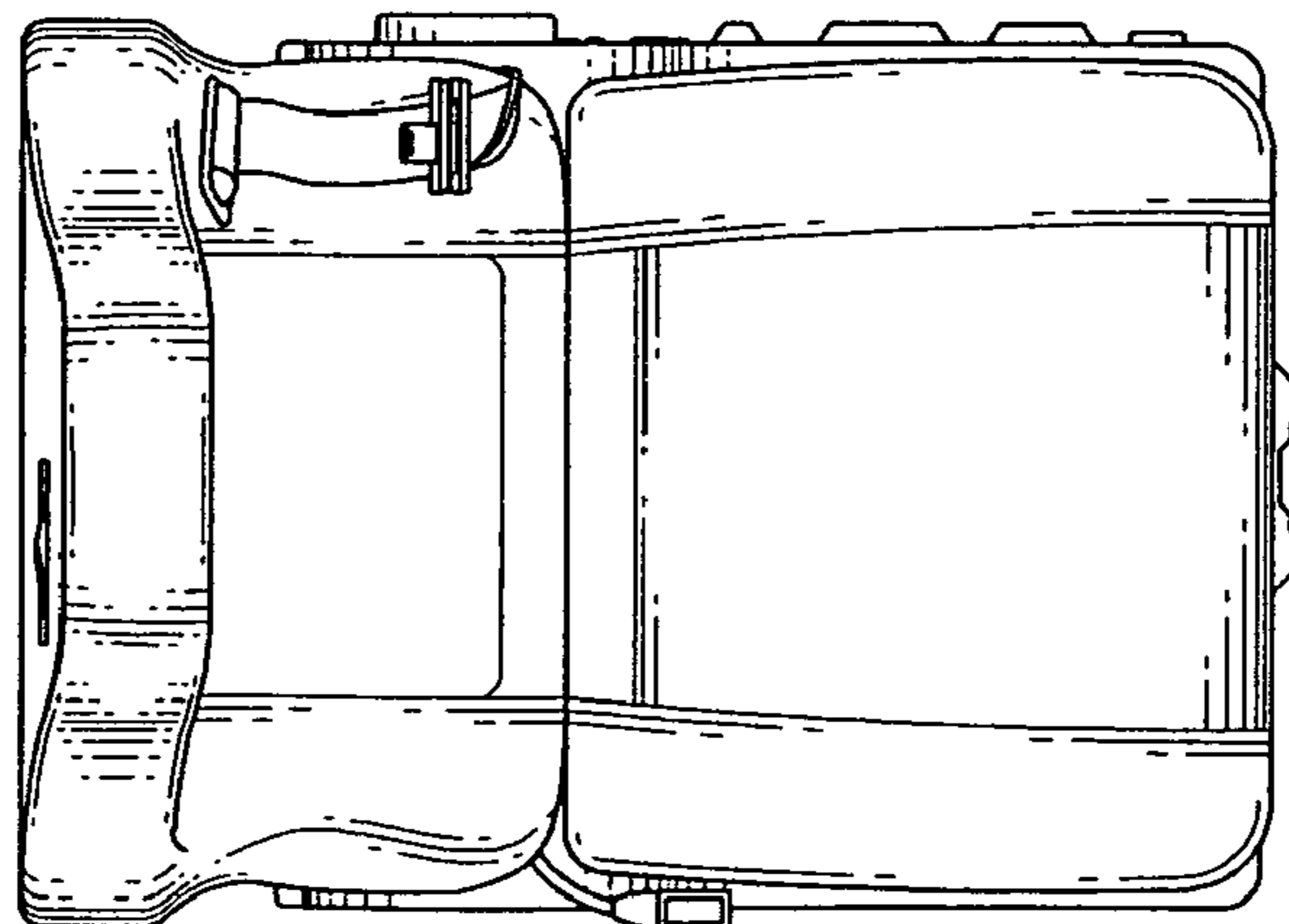


FIG. 3

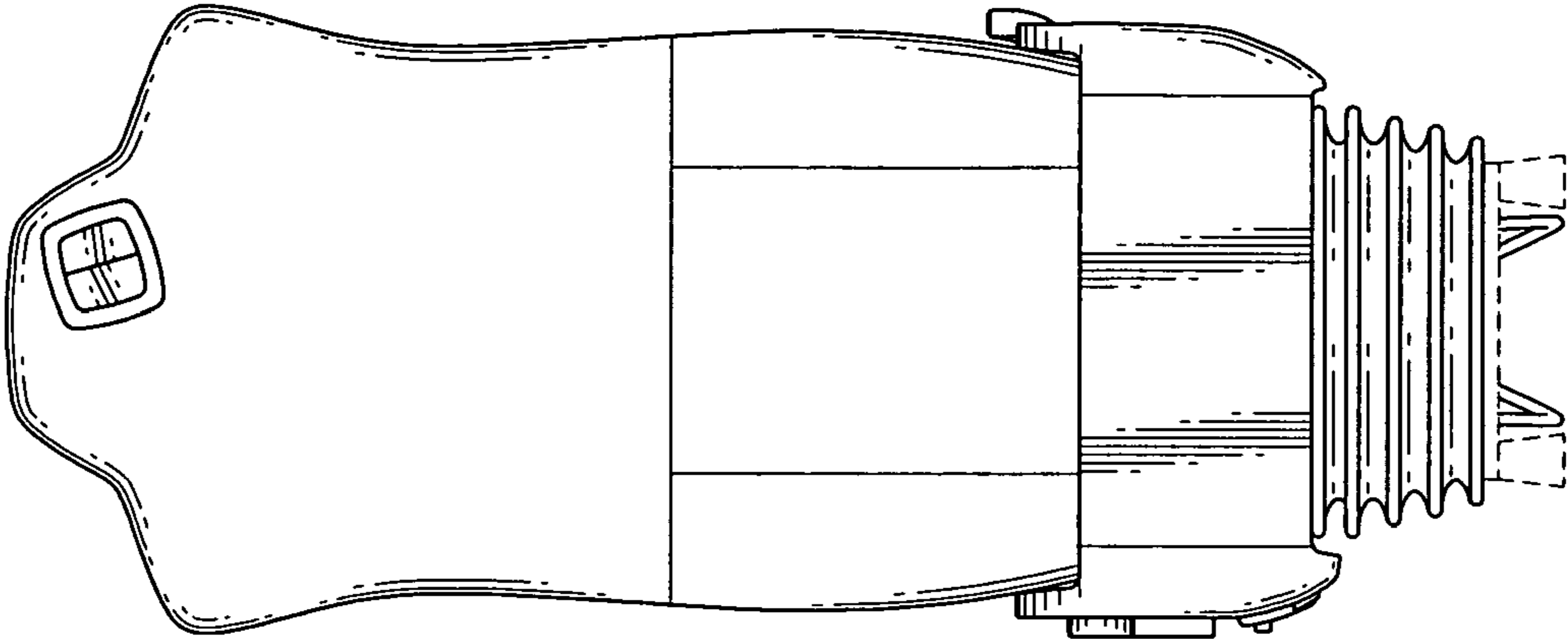


FIG. 2

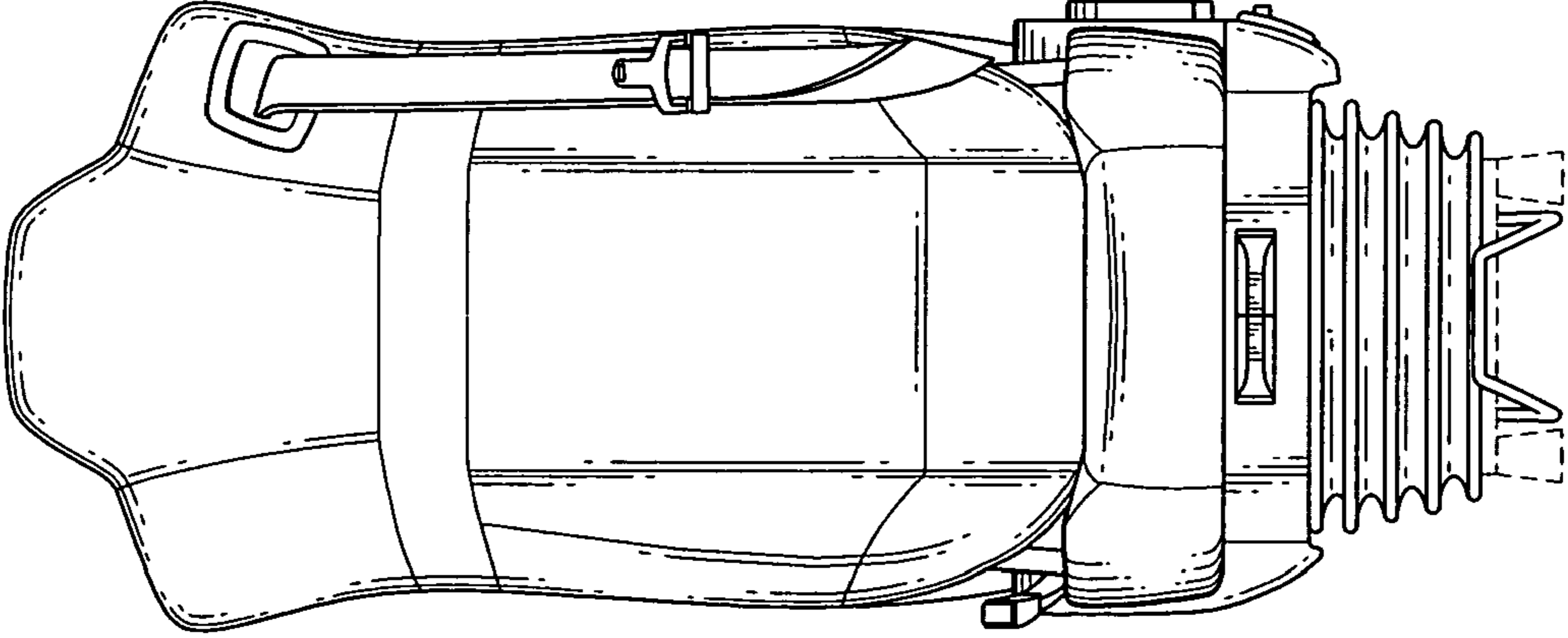


FIG. 5

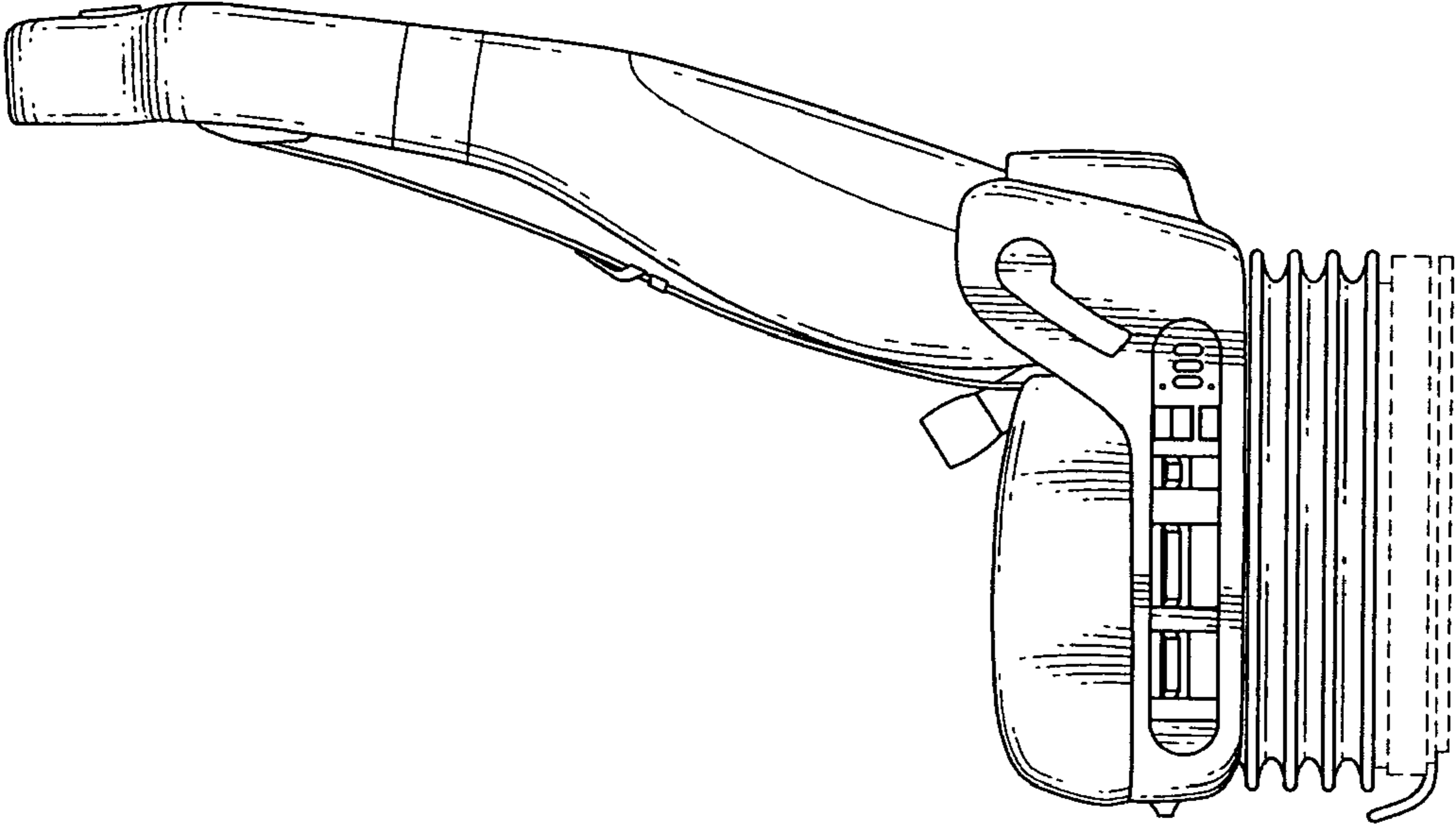


FIG. 4

