



US00D617103S

(12) **United States Design Patent**  
**Bearup et al.**

(10) **Patent No.:** **US D617,103 S**  
(45) **Date of Patent:** **\*\* Jun. 8, 2010**

(54) **SEAT BASE**

(75) Inventors: **Adam D. Bearup**, Lakewood, CO (US);  
**Joseph F. Fiore, Jr.**, Lebanon, PA (US)

(73) Assignee: **Wonderland Nurserygoods Co., Ltd.**  
(TW)

(\*\*) Term: **14 Years**

(21) Appl. No.: **29/351,237**

(22) Filed: **Dec. 2, 2009**

**Related U.S. Application Data**

(63) Continuation of application No. 29/335,324, filed on  
Apr. 14, 2009.

(51) **LOC (9) Cl.** ..... **06-01**

(52) **U.S. Cl.** ..... **D6/339**

(58) **Field of Classification Search** ..... D6/333,  
D6/335, 339, 491, 500-502; D12/129; D21/412,  
D21/419; 280/30, 31; 5/94, 98.1, 99.1, 101,  
5/102, 105, 655; 297/183.1, 183.2, 183.3,  
297/183.4, 184.13, 184.15, 184.17, 250.1,  
297/255, 256.1, 256.15, 256.16; 24/200,  
24/211

See application file for complete search history.

(56) **References Cited**

**U.S. PATENT DOCUMENTS**

D278,482 S \* 4/1985 Takada ..... D6/333

D356,689 S \* 3/1995 Mariol ..... D6/333  
D489,538 S \* 5/2004 Shibata et al. .... D6/333  
D550,971 S \* 9/2007 McConnell ..... D6/333  
D553,865 S \* 10/2007 Buitendach ..... D6/333  
D573,800 S \* 7/2008 Backstrom et al. .... D6/333  
D592,865 S \* 5/2009 Yeung ..... D6/333  
D600,027 S \* 9/2009 Martin et al. .... D6/333

\* cited by examiner

*Primary Examiner*—Sandra Snapp

(74) *Attorney, Agent, or Firm*—Ostrolenk Faber LLP

(57) **CLAIM**

The ornamental design for a seat base, as shown.

**DESCRIPTION**

FIG. 1 is a front, side, perspective view of a seat base showing  
my new design;

FIG. 2 is a front view thereof;

FIG. 3 is a rear view thereof;

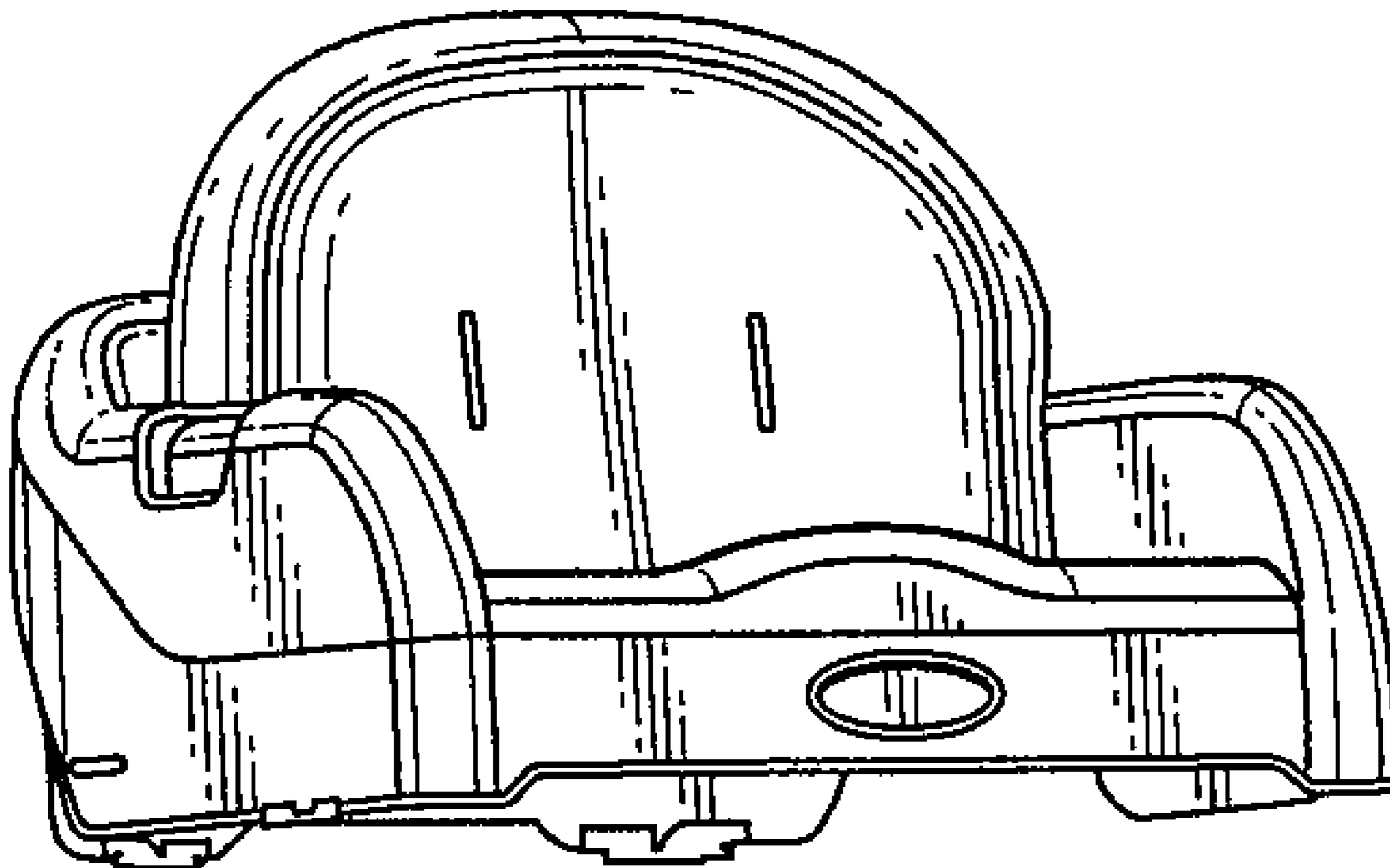
FIG. 4 is a left side view thereof;

FIG. 5 is a right side view thereof;

FIG. 6 is a top view thereof; and,

FIG. 7 is a bottom view thereof.

**1 Claim, 4 Drawing Sheets**



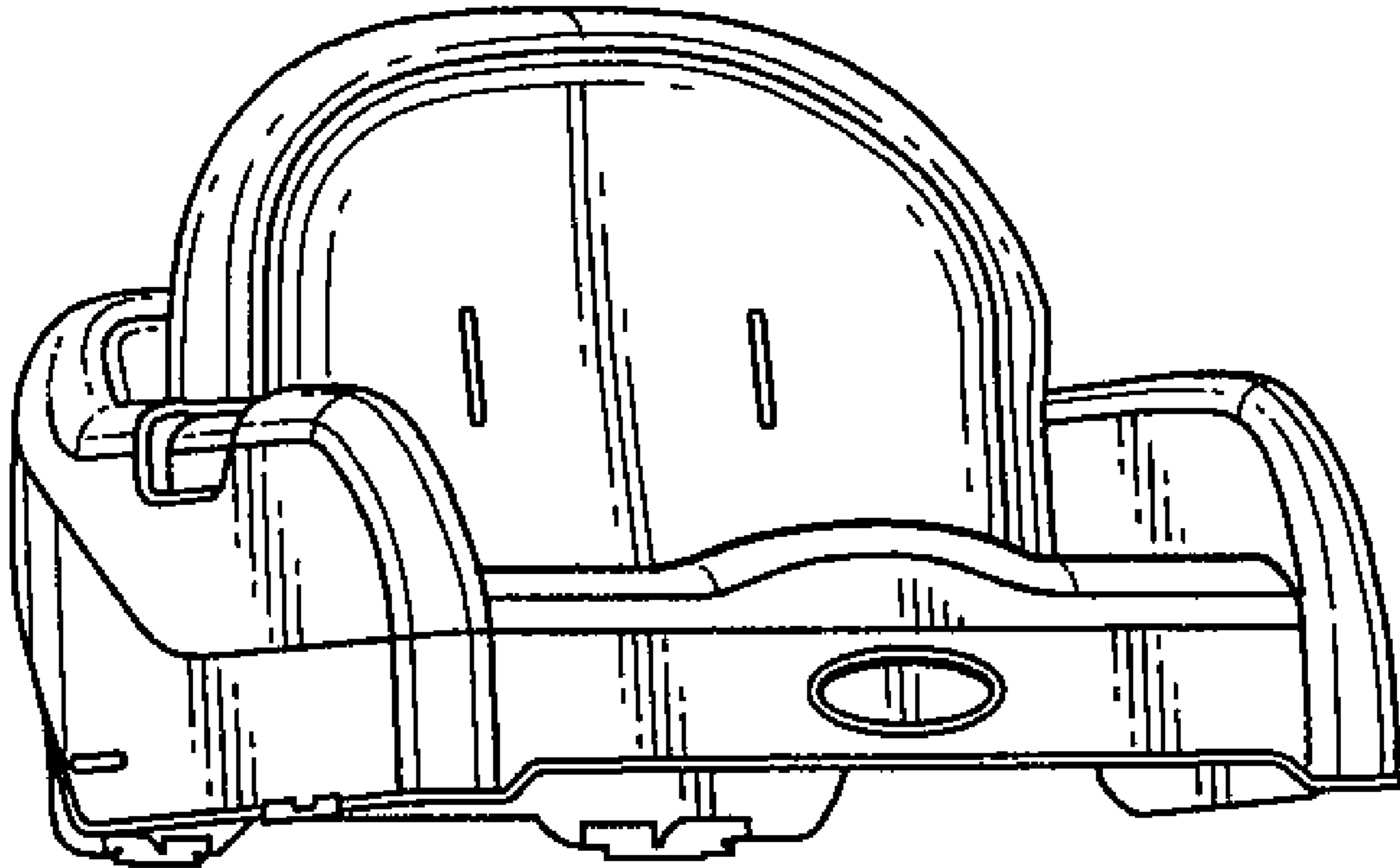


FIG. 1

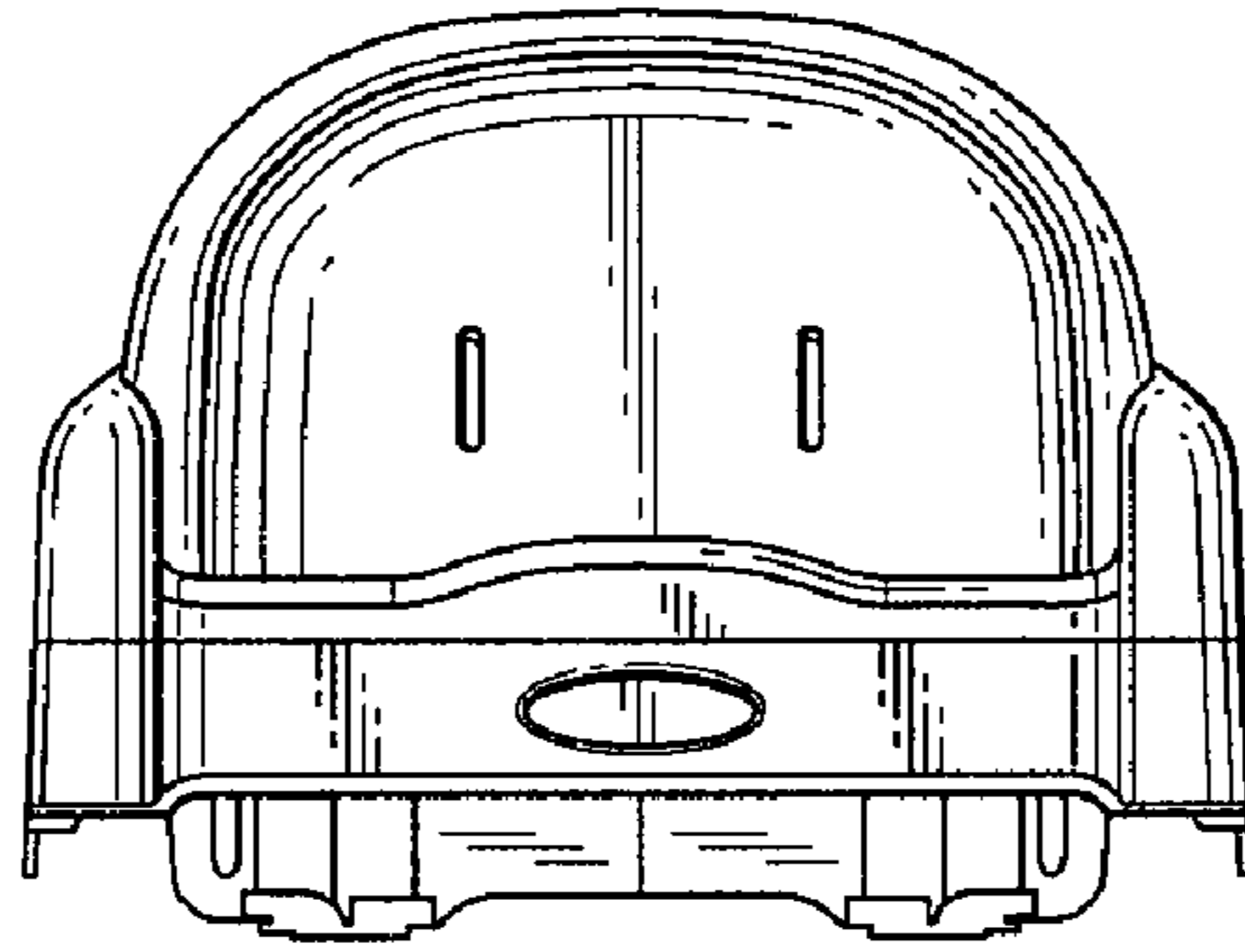


FIG. 2

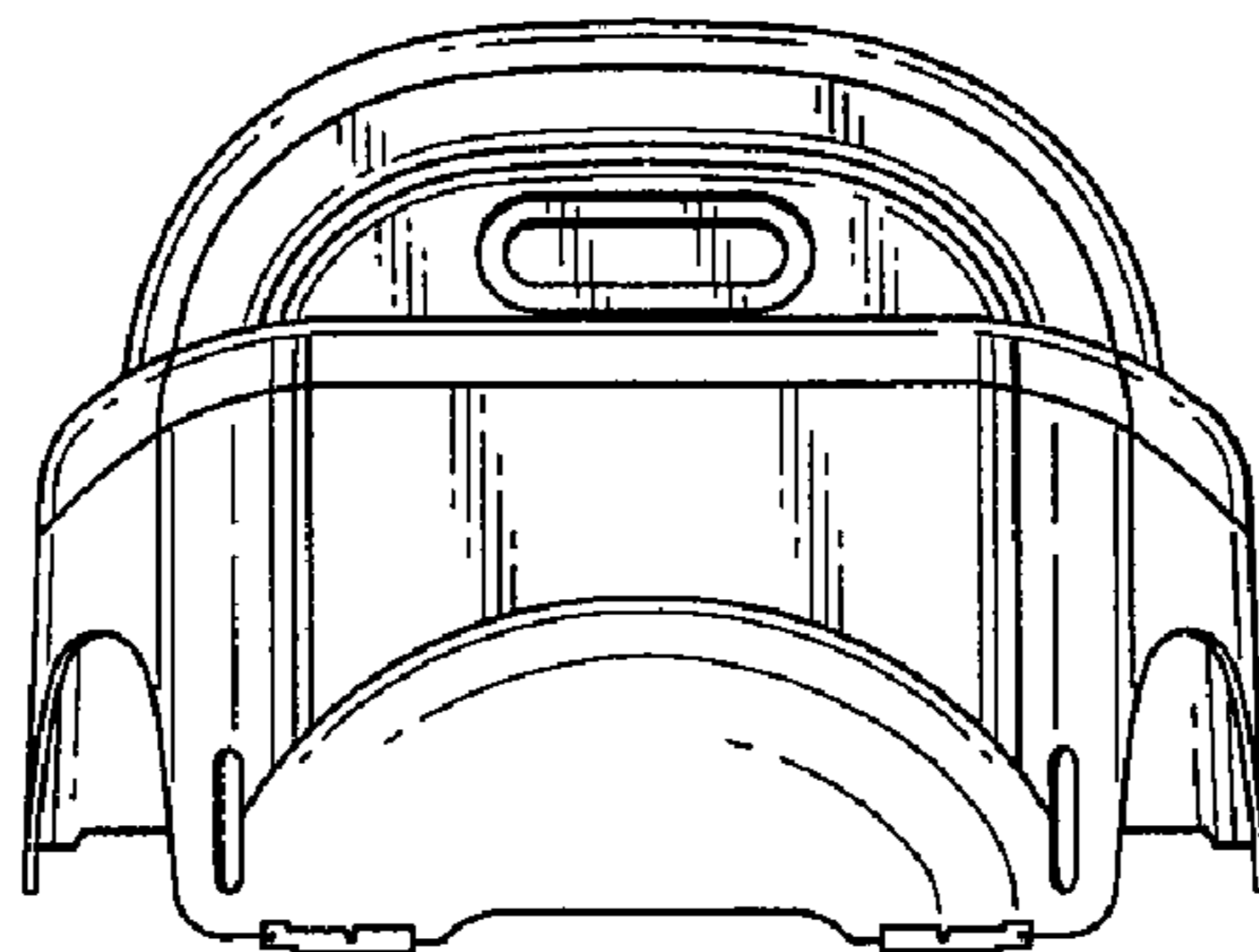


FIG. 3

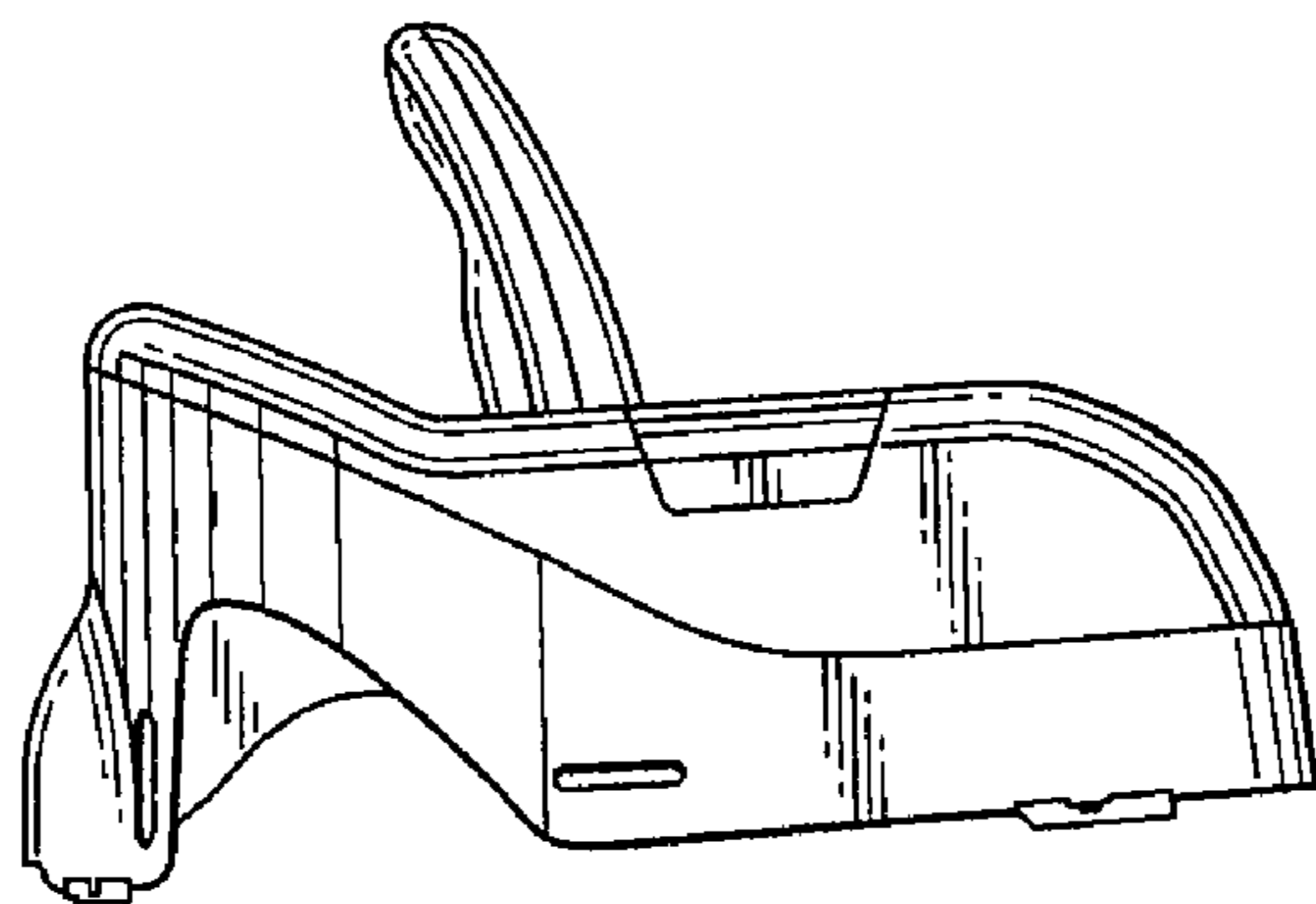


FIG. 4

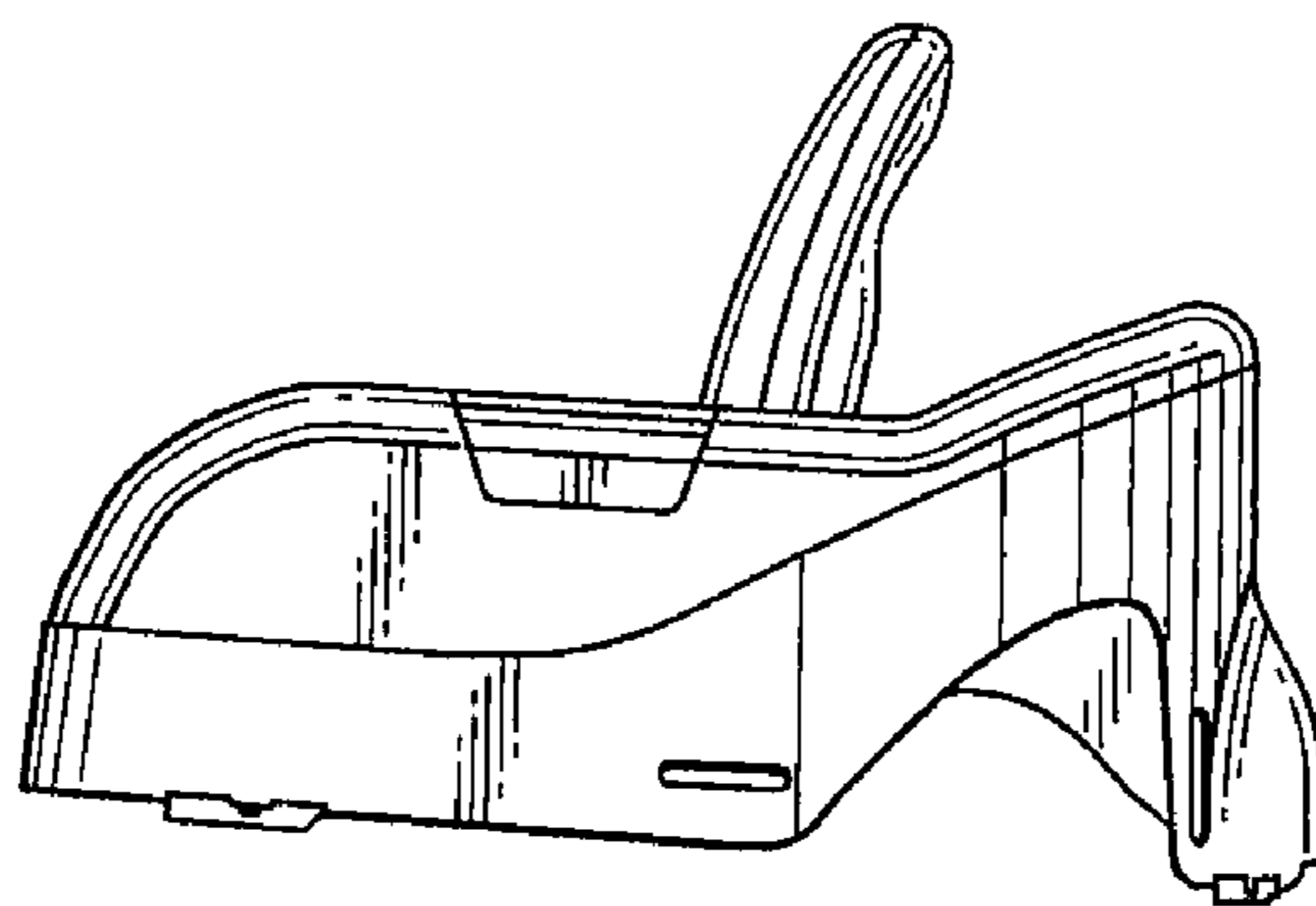


FIG. 5

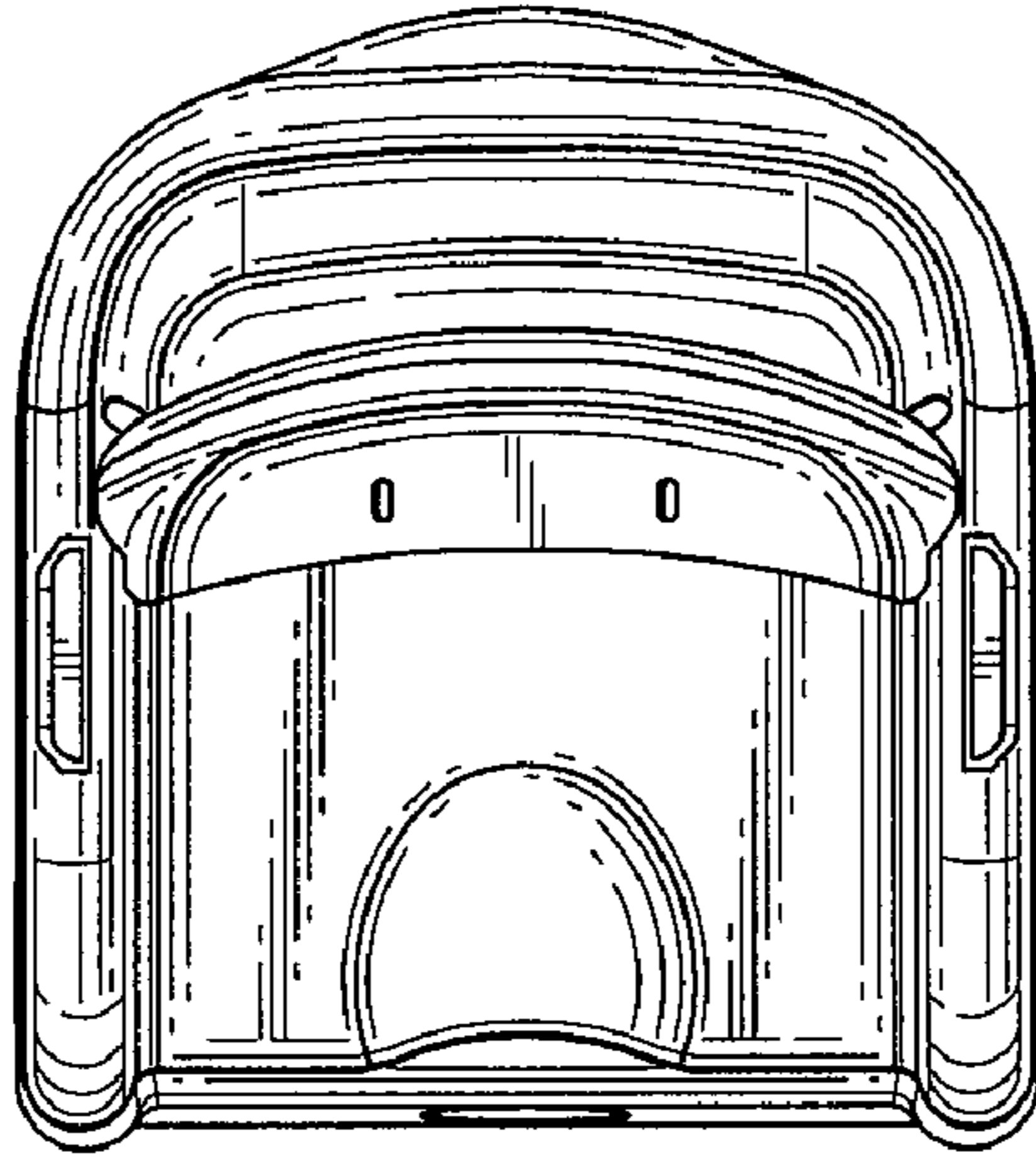


FIG. 6

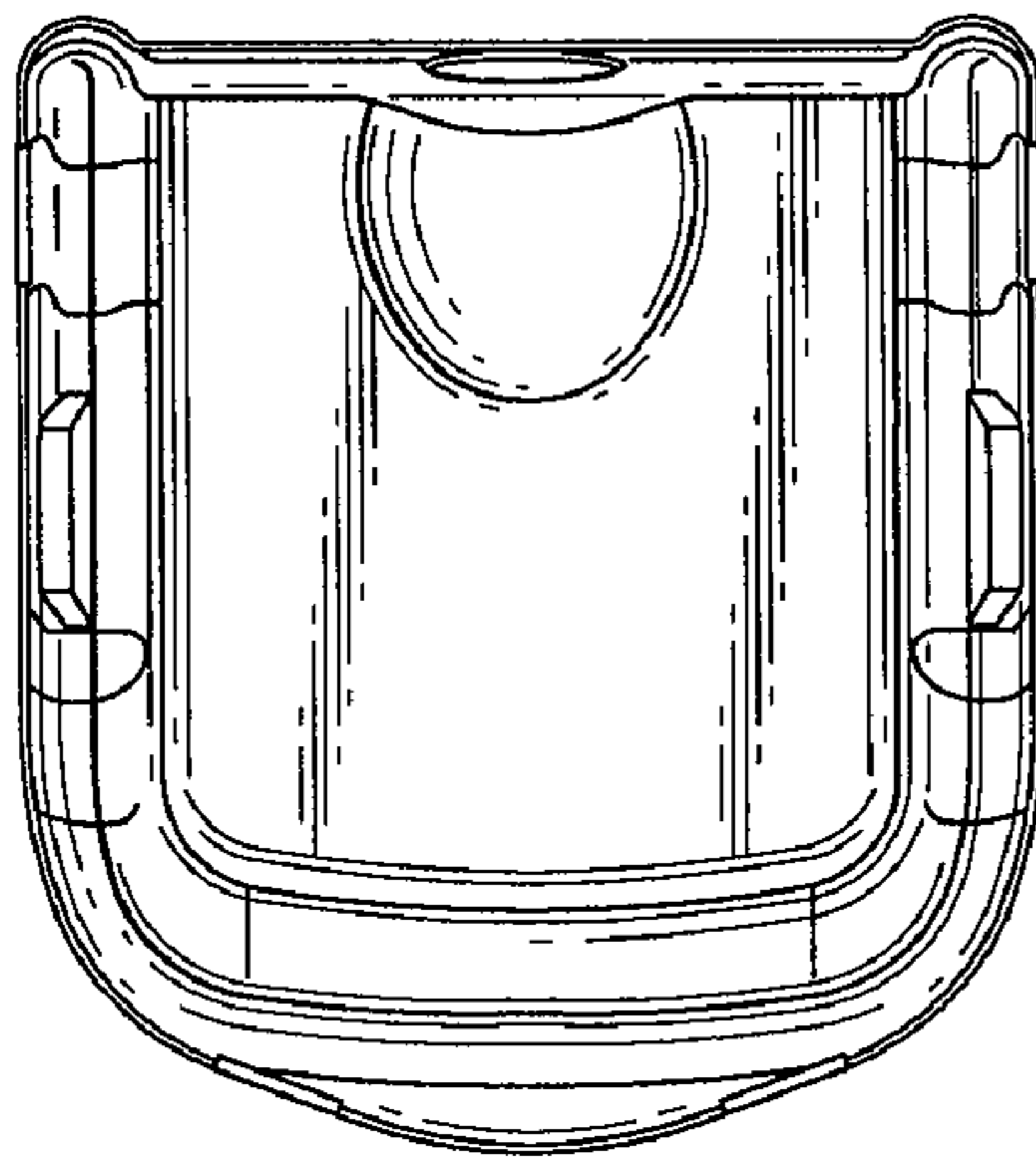


FIG. 7