



US00D617101S

(12) **United States Design Patent**
Erickson et al.

(10) **Patent No.:** **US D617,101 S**
(45) **Date of Patent:** **** Jun. 8, 2010**

- (54) **SCONCE**
- (75) Inventors: **Patrick Erickson**, Seattle, WA (US);
James V. Mischel, Sr., Lynnwood, WA
(US); **James V. Mischel, Jr.**, Seattle, WA
(US)
- (73) Assignee: **Electric Mirror, L.L.C.**, Everett, WA
(US)
- (**) Term: **14 Years**
- (21) Appl. No.: **29/346,708**
- (22) Filed: **Nov. 4, 2009**

Related U.S. Application Data

- (60) Division of application No. 29/329,813, filed on Dec. 22, 2008, now Pat. No. Des. 606,227, which is a continuation-in-part of application No. 29/303,007, filed on Jan. 30, 2008, now Pat. No. Des. 591,054.

- (51) **LOC (9) Cl.** **06-04**
- (52) **U.S. Cl.** **D6/308**
- (58) **Field of Classification Search** D26/72,
D26/76, 80-92, 155, 31, 118; 362/147, 432,
362/404-408, 151, 218; D20/10; D10/104;
40/700, 735, 738, 744, 798; D6/308, 300,
D6/444

See application file for complete search history.

(56) **References Cited**

U.S. PATENT DOCUMENTS

D107,105 S	11/1937	Stewart
D122,771 S	10/1940	Doner
D125,120 S	2/1941	Shulman
2,410,989 A	11/1946	Mevi
2,523,290 A	9/1950	Gardner
2,528,132 A	10/1950	Gibson
2,732,484 A	1/1956	Lipscomb
D184,436 S	2/1959	Haycraft
D206,924 S	2/1967	Prouty
D213,391 S	2/1969	Bruno
D218,214 S	7/1970	Goldman

3,665,628 A	5/1972	Dammond
D250,504 S	12/1978	Kliot
4,187,630 A	2/1980	Giulie
4,277,903 A	7/1981	Crossot
D264,414 S	5/1982	Missir
D277,874 S	3/1985	Zeischegg
D304,862 S	11/1989	DiCola
D305,943 S	2/1990	Ossip-Klein
D306,772 S	3/1990	De'Armond
D311,821 S	* 11/1990	Rossari D6/308
D312,262 S	11/1990	Allon
D325,355 S	4/1992	Meguerdichian
D335,148 S	4/1993	Barbieri
D386,801 S	11/1997	Orgovan
D394,674 S	5/1998	Arnett
D434,571 S	12/2000	Copeland
D451,685 S	* 12/2001	Hermanson et al. D6/303
D452,081 S	12/2001	Rowan
D458,459 S	6/2002	Gottwald
D471,236 S	3/2003	Robbins, III
D492,127 S	6/2004	Bellini

(Continued)

Primary Examiner—Philip S Hyder
Assistant Examiner—Sydney R Buffalow
 (74) *Attorney, Agent, or Firm*—Christensen O'Connor
 Johnson Kindness PLLC

(57) **CLAIM**

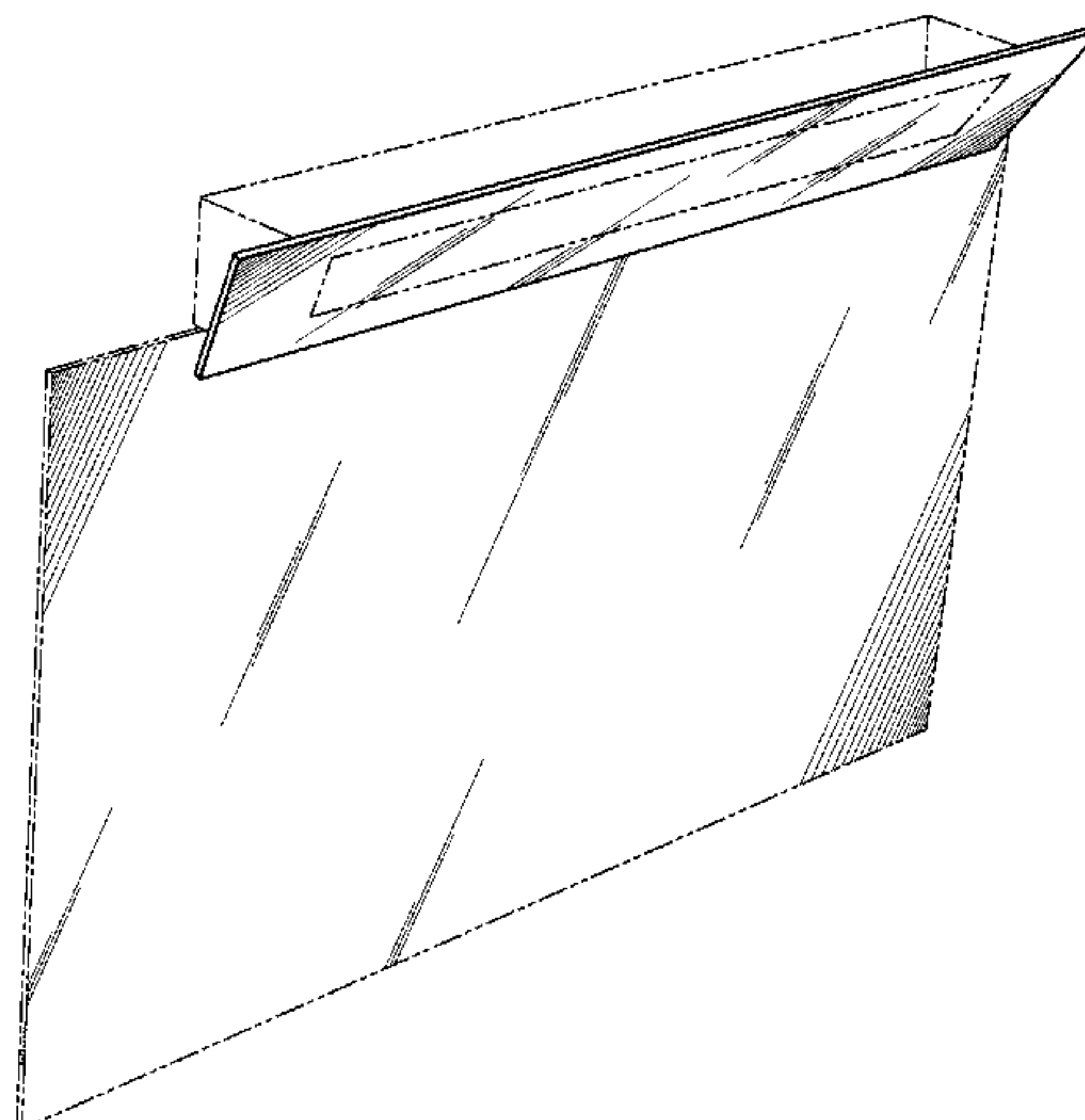
The ornamental design for a sconce, as shown and described.

DESCRIPTION

FIG. 1 is an isometric view of a sconce;
 FIG. 2 is a front view thereof;
 FIG. 3 is a left side view thereof;
 FIG. 4 is a right side view thereof;
 FIG. 5 is a top view thereof; and,
 FIG. 6 is a bottom view thereof.

The broken line showing the sconce is for the purpose of illustrating the environment of the sconce and forms no part of the claimed design.

1 Claim, 3 Drawing Sheets



US D617,101 S

Page 2

U.S. PATENT DOCUMENTS

D495,152 S	8/2004	Pulini	D562,045 S	2/2008	Ophardt	
D527,483 S	8/2006	McCarthy, III	D581,079 S	11/2008	Mier-Langner	
D545,067 S	6/2007	Mischel, Jr.	D589,638 S	3/2009	Collins	
D547,072 S	7/2007	Mischel, Jr.	D591,054 S *	4/2009	Erickson et al.	D6/308
D549,378 S	8/2007	Heitel	D606,227 S *	12/2009	Erickson et al.	D26/72

* cited by examiner

Fig. 1.

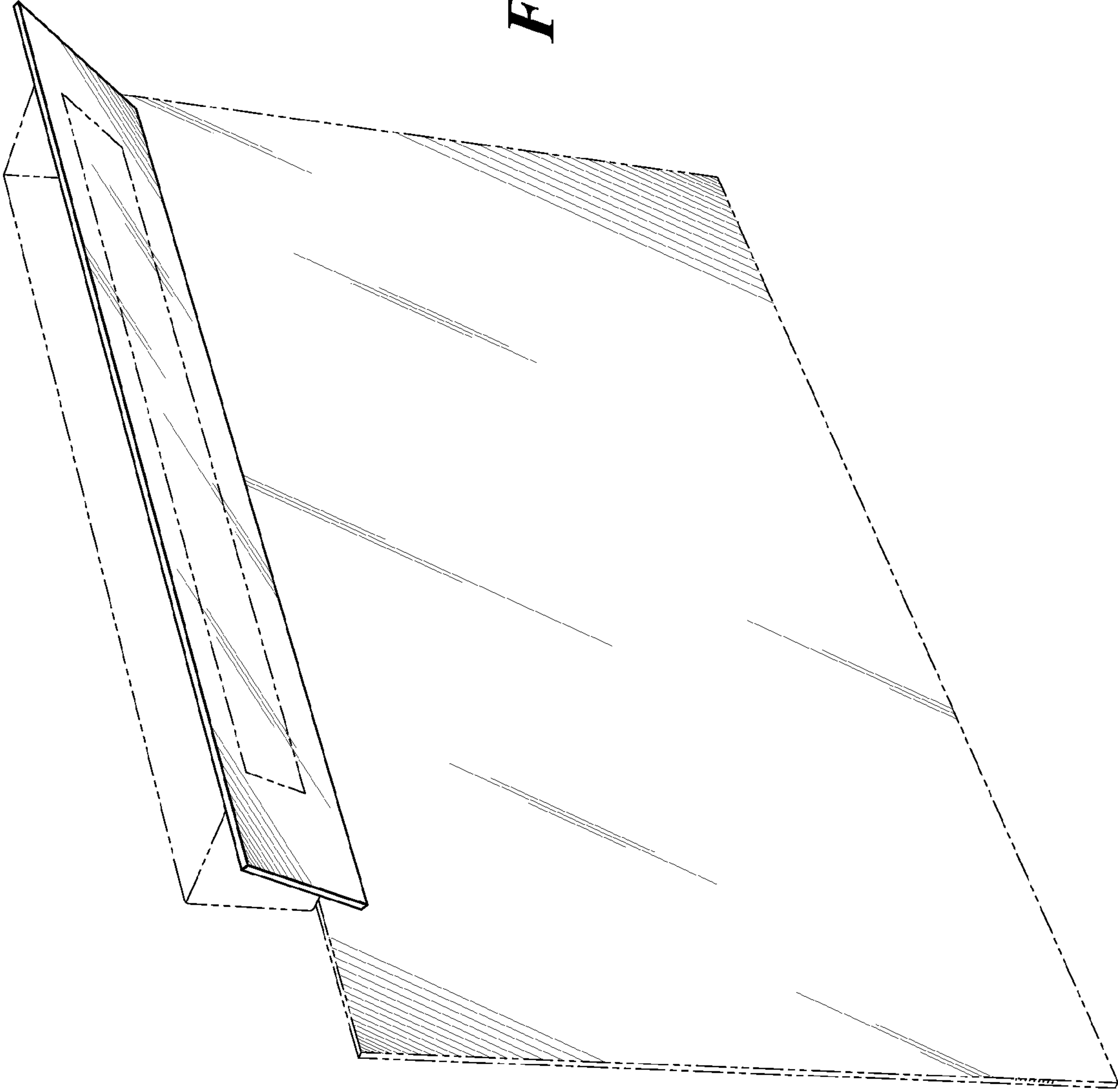




Fig. 4.

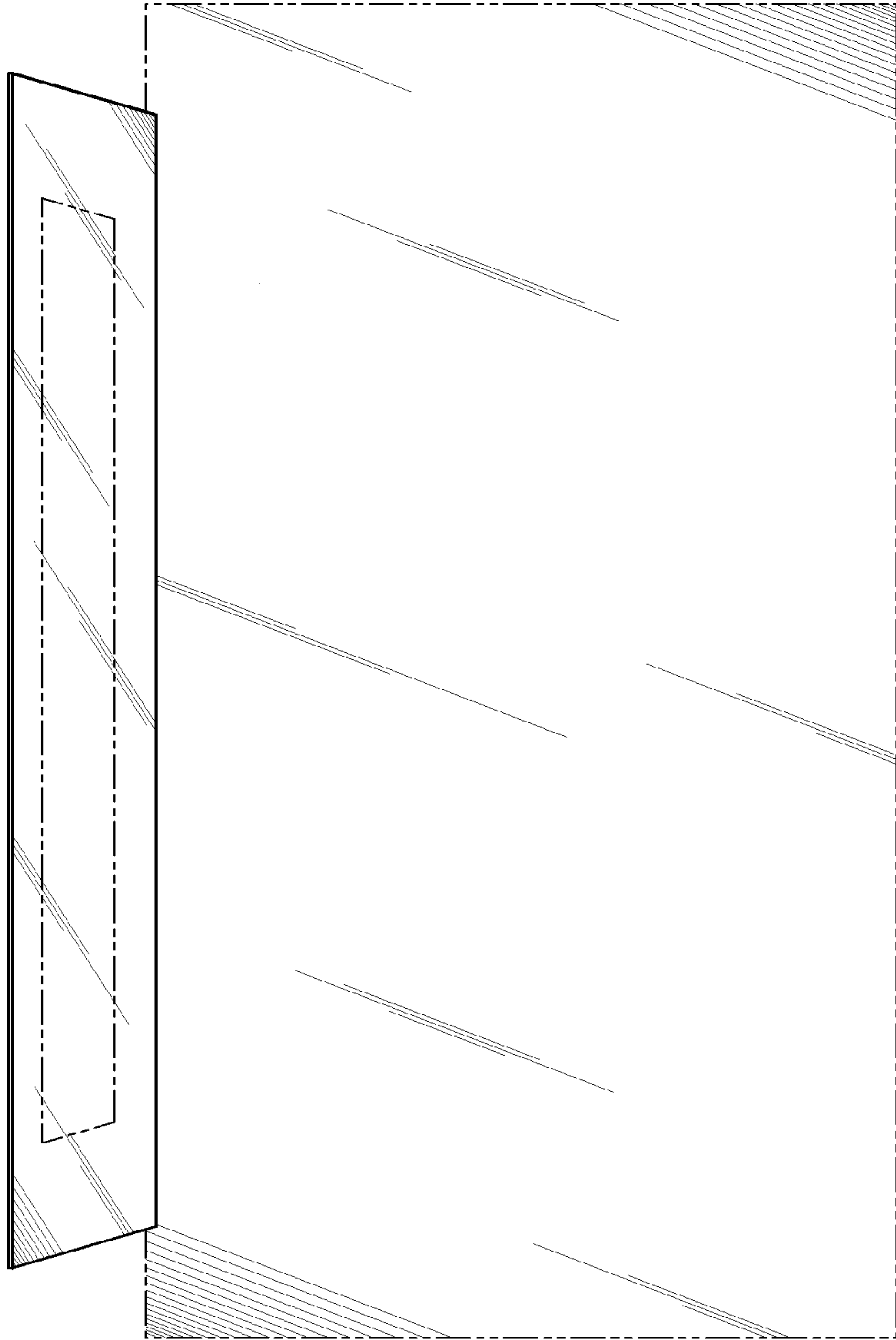


Fig. 2.



Fig. 3.

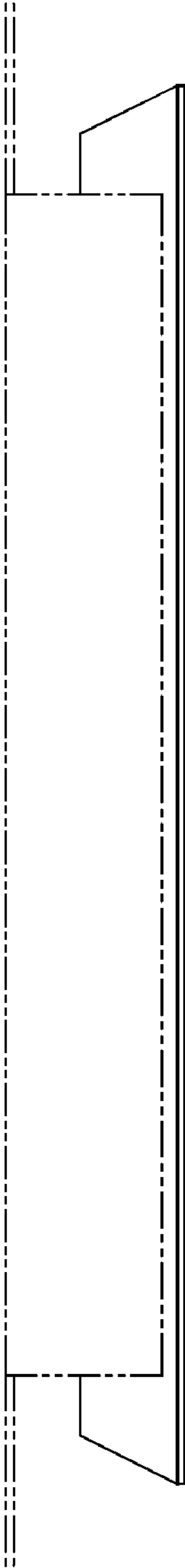


Fig. 5.

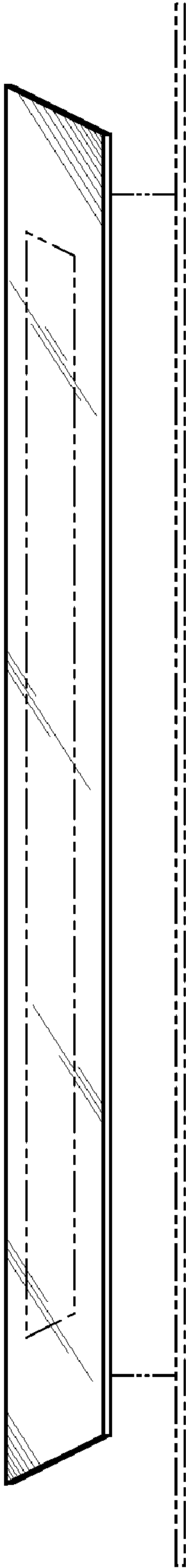


Fig. 6.