



US00D617098S

(12) **United States Design Patent**
Huang

(10) **Patent No.:** **US D617,098 S**

(45) **Date of Patent:** **** Jun. 8, 2010**

(54) **TOOL BOX**

(76) Inventor: **Chia-Ling Huang**, No. 38-1, Yongchun
E. 3rd Rd., Nantun Dist., Taichung City
40846 (TW)

(**) Term: **14 Years**

(21) Appl. No.: **29/348,224**

(22) Filed: **Dec. 10, 2009**

(51) **LOC (9) Cl.** **03-01**

(52) **U.S. Cl.** **D3/282; D3/905**

(58) **Field of Classification Search** D3/201,
D3/273, 274, 282–286, 293–295, 315, 905;
D9/415, 420–424; 206/349, 372–374, 379,
206/375, 377; 312/902

See application file for complete search history.

(56) **References Cited**

U.S. PATENT DOCUMENTS

4,449,629	A *	5/1984	Barrieau	206/765
5,803,254	A *	9/1998	Vasudeva	206/373
D400,010	S *	10/1998	Vasudeva	D3/276
5,887,715	A *	3/1999	Vasudeva	206/373
D422,787	S *	4/2000	Feng	D3/273
6,044,973	A *	4/2000	Vasudeva	206/372
6,105,767	A *	8/2000	Vasudeva	206/372
D434,562	S *	12/2000	Huang	D3/282

D474,340	S *	5/2003	Vasudeva	D3/282
D478,725	S *	8/2003	Vasudeva et al.	D3/282
D499,549	S *	12/2004	Rosler	D3/282
D511,040	S *	11/2005	Barrios et al.	D3/282
D517,317	S *	3/2006	Singh	D3/282

* cited by examiner

Primary Examiner—Prabhakar Deshmukh

(74) *Attorney, Agent, or Firm*—Charles E. Baxley

(57) **CLAIM**

The ornamental design for a tool box, as shown and described.

DESCRIPTION

FIG. 1 is a perspective view of a tool box showing my new design thereof;

FIG. 2 is a front elevational view thereof;

FIG. 3 is a rear elevational view thereof;

FIG. 4 is a left side elevational view thereof;

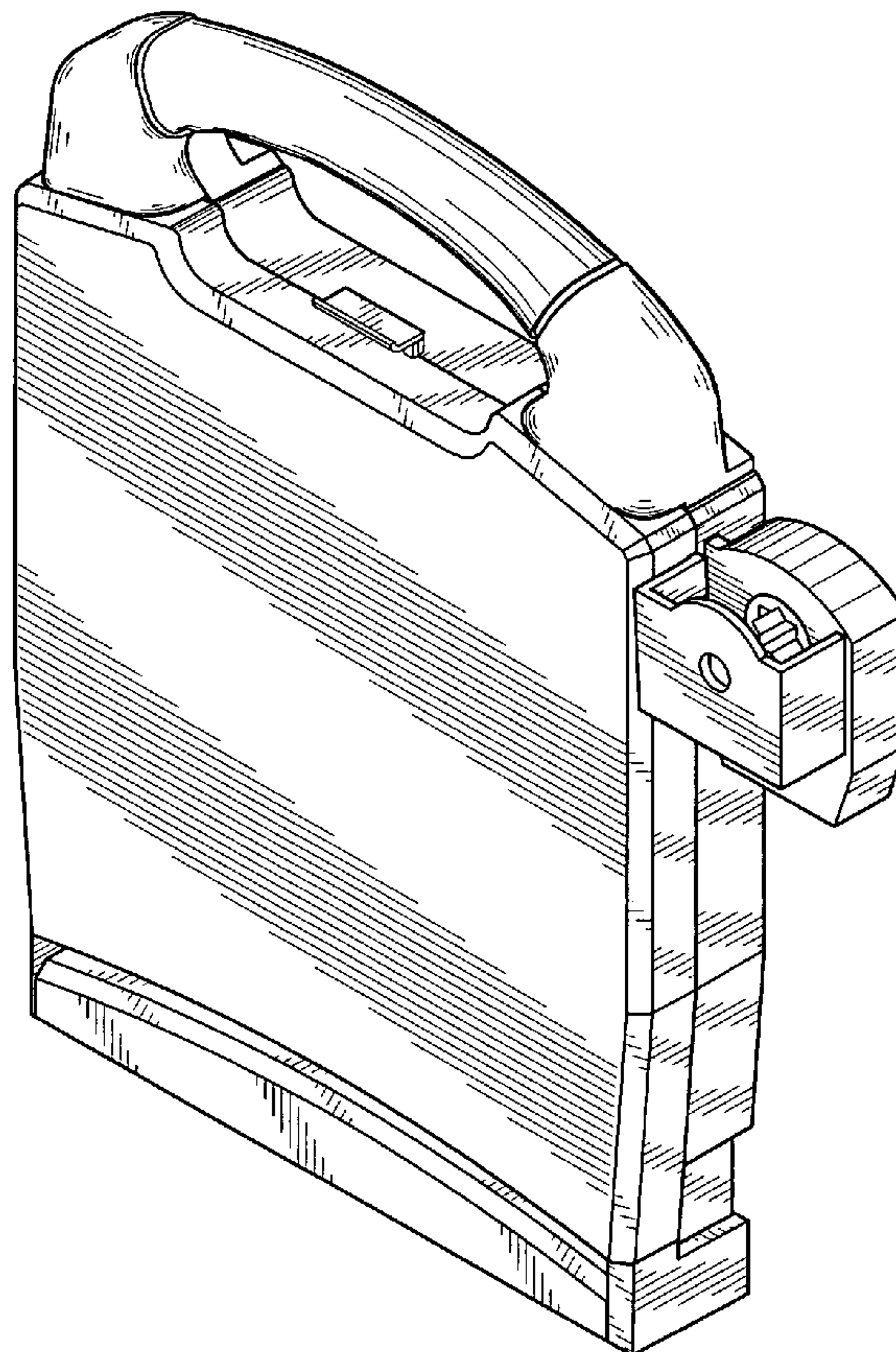
FIG. 5 is a right side elevational view thereof;

FIG. 6 is a top plan view thereof;

FIG. 7 is a bottom plan view thereof; and,

FIG. 8 is another perspective view thereof.

1 Claim, 6 Drawing Sheets



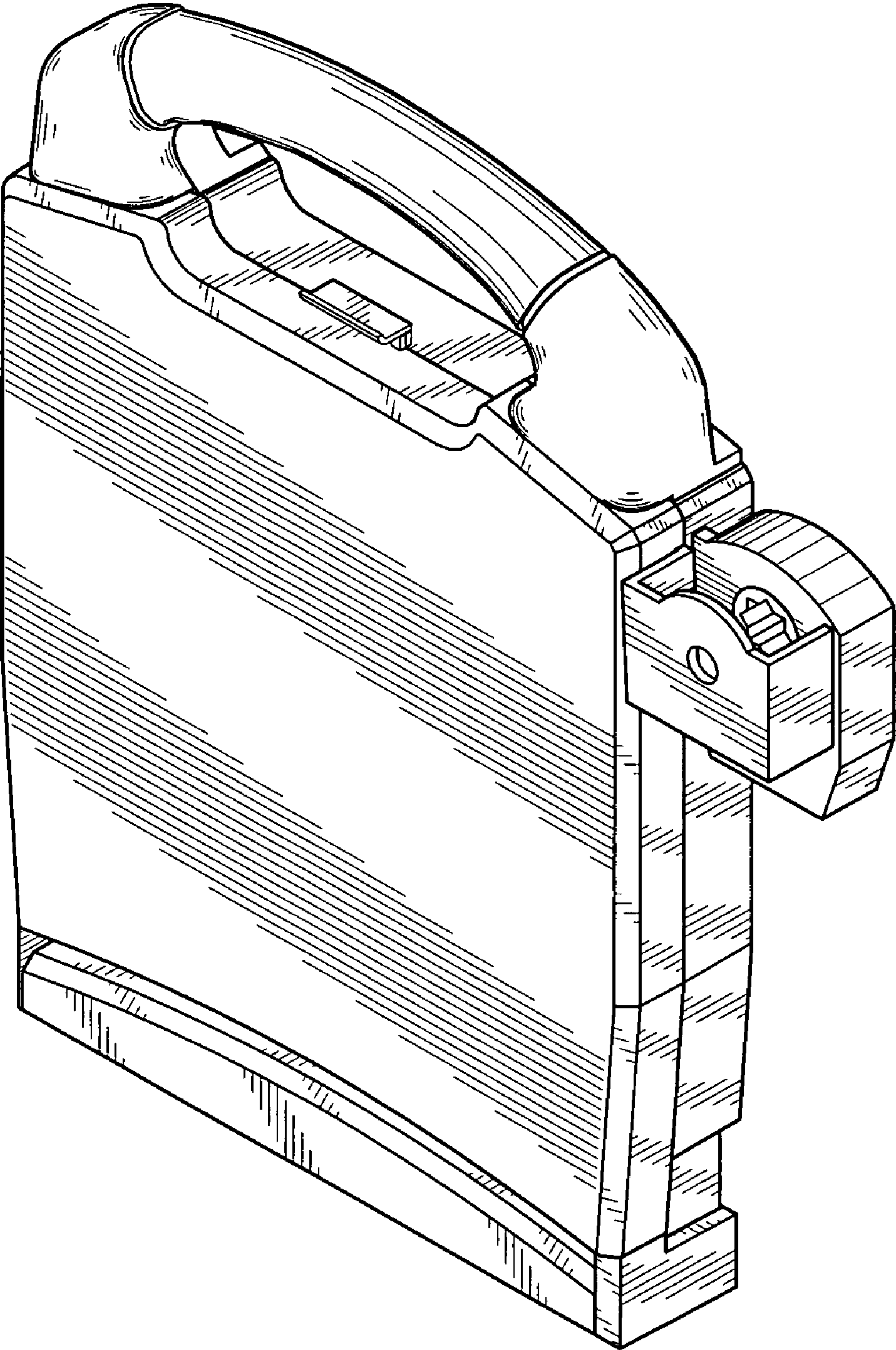


FIG. 1

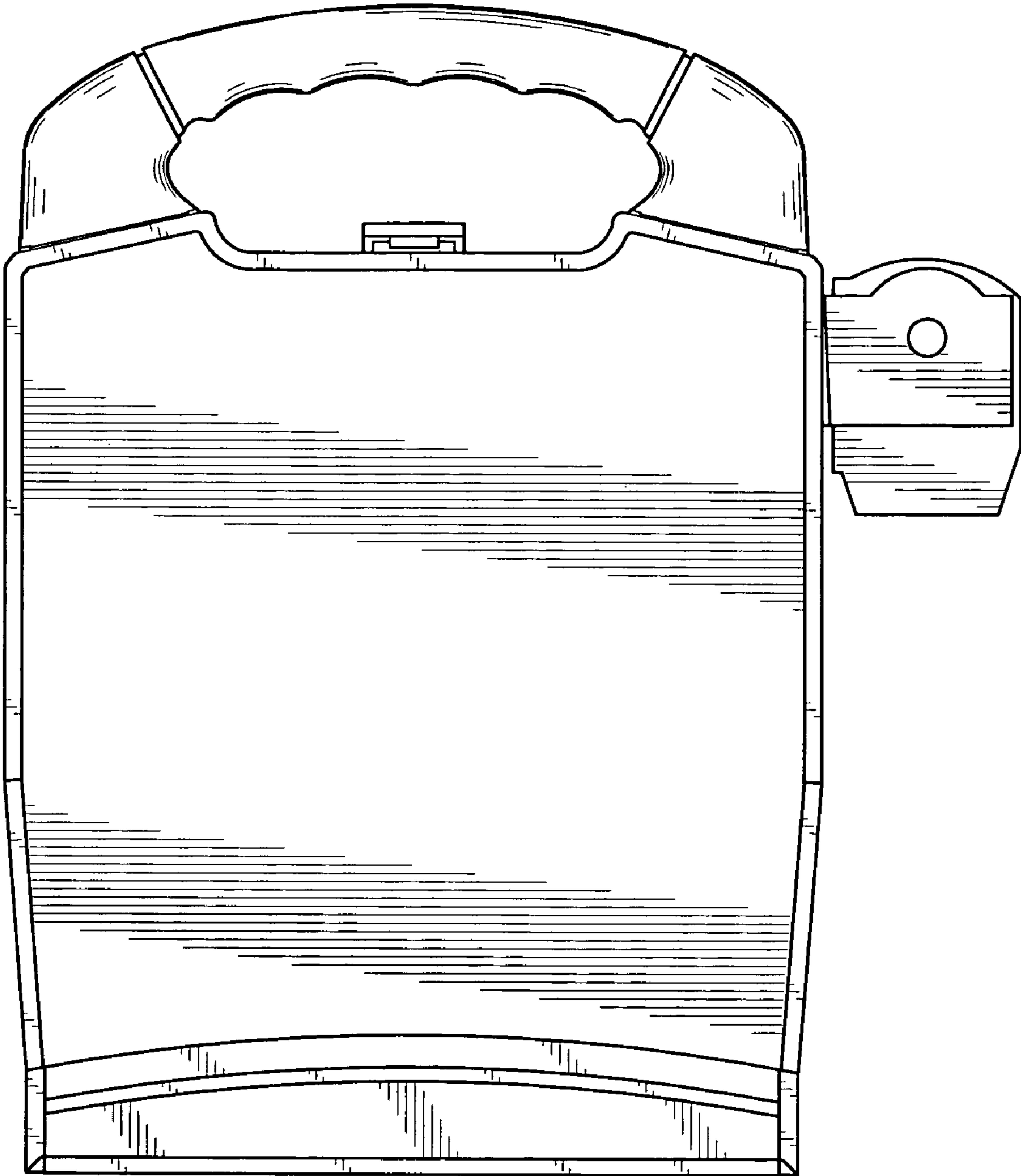


FIG. 2

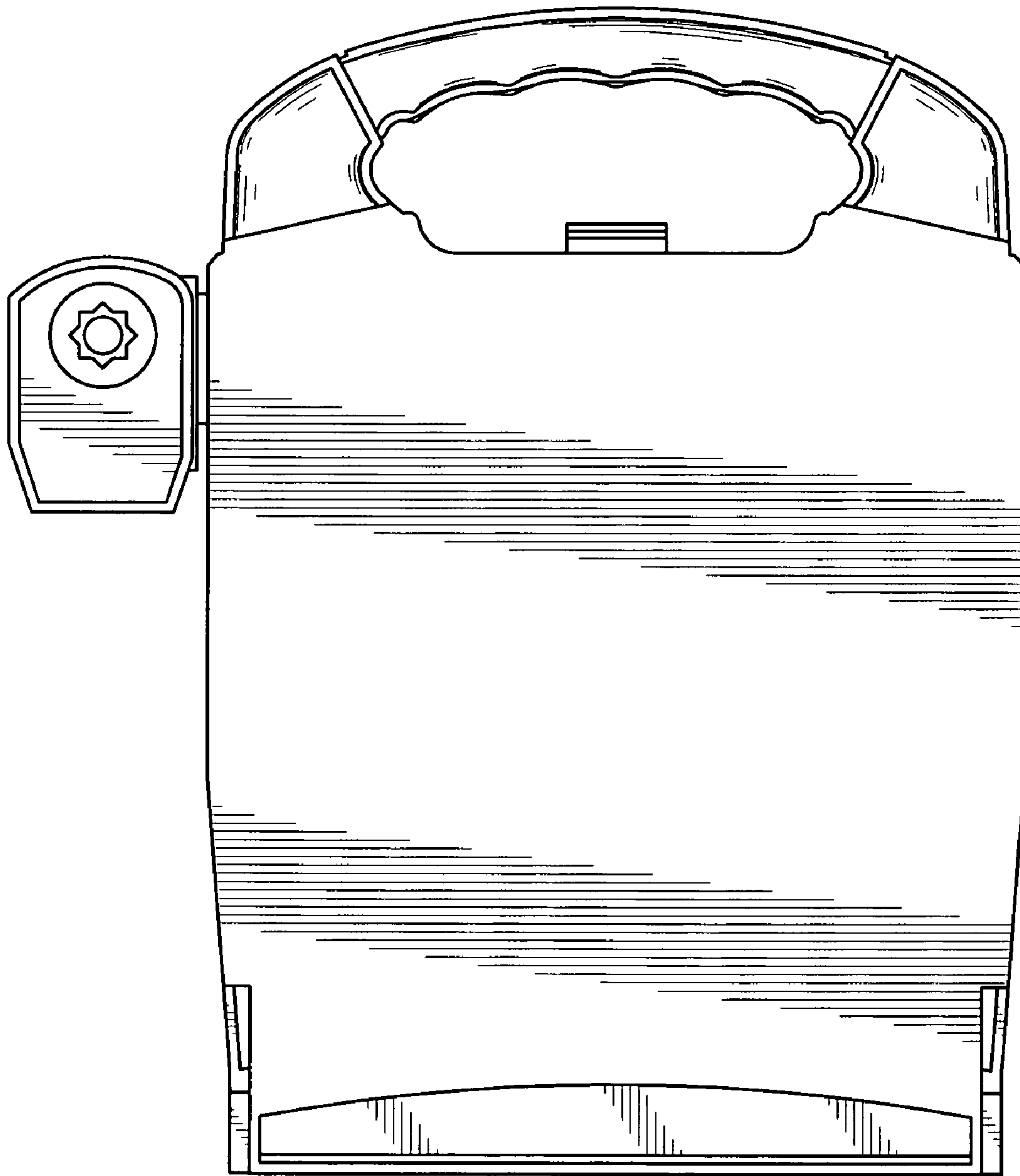


FIG. 3

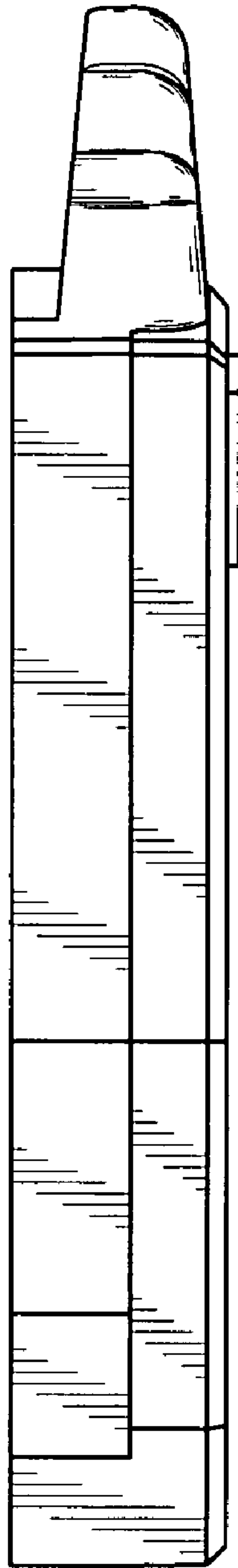


FIG. 4



FIG. 5

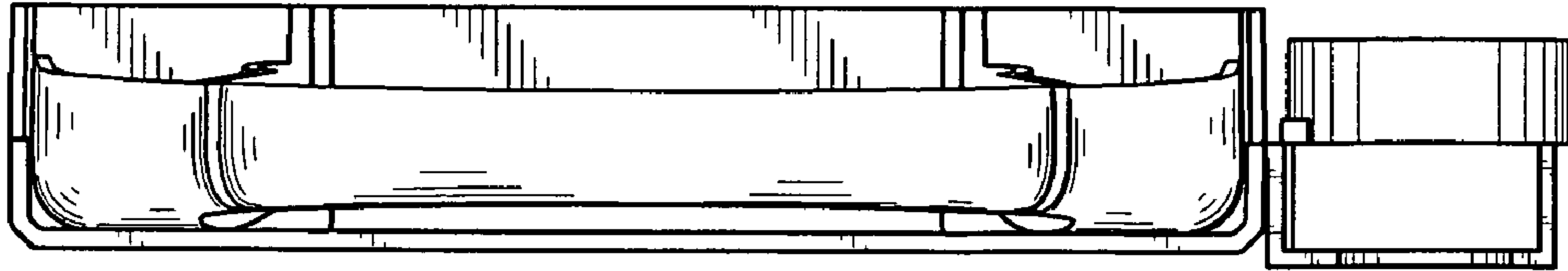


FIG. 6

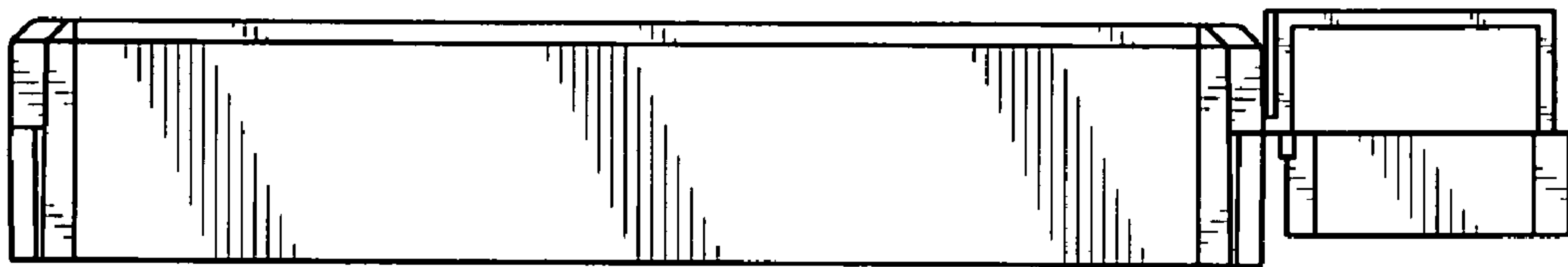


FIG. 7

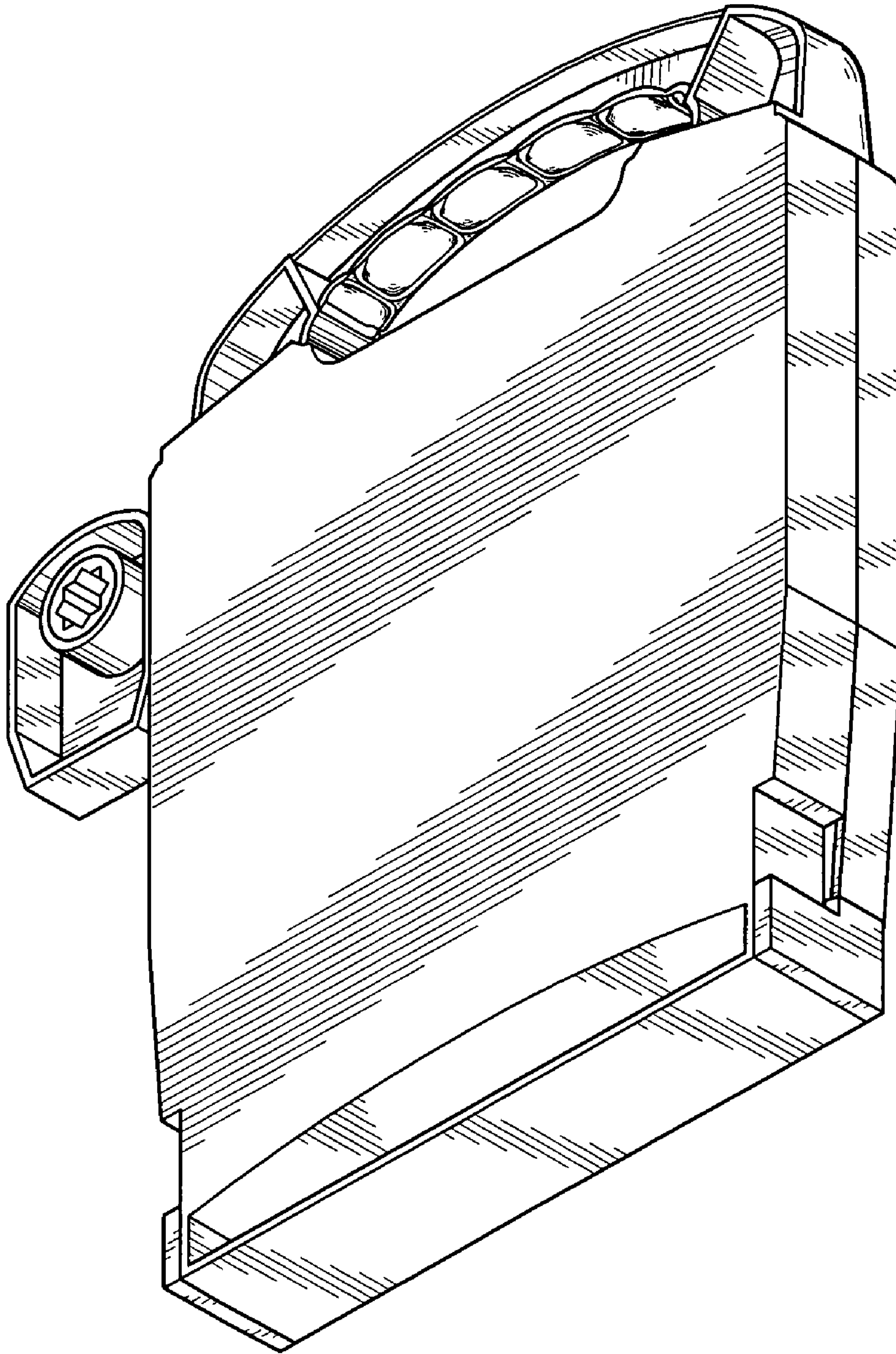


FIG. 8