



US00D617094S

(12) **United States Design Patent**  
**Pidgeon et al.**

(10) **Patent No.:** **US D617,094 S**  
(45) **Date of Patent:** **\*\* Jun. 8, 2010**

(54) **DOUBLE FLAP BAG**

(75) Inventors: **Andrew Duncan Pidgeon**, Whittlesford  
Cambs (GB); **Richard Mann**,  
Chesterton Cambridge (GB)

(73) Assignee: **Smith & Nephew PLC**, London (GB)

(\*\*) Term: **14 Years**

(21) Appl. No.: **29/351,522**

(22) Filed: **Dec. 7, 2009**

**Related U.S. Application Data**

(63) Continuation of application No. 29/320,523, filed on  
Jun. 27, 2008, now Pat. No. Des. 607,202.

(30) **Foreign Application Priority Data**

Dec. 28, 2007 (EM) ..... 000851001-0001

(51) **LOC (9) Cl.** ..... **03-01**

(52) **U.S. Cl.** ..... **D3/232**

(58) **Field of Classification Search** ..... D3/232-233,  
D3/240-246, 318, 203.1; 150/100, 103-104,  
150/106-110, 113-114, 118-119, 130-132  
See application file for complete search history.

(56) **References Cited**

**U.S. PATENT DOCUMENTS**

D408,625 S \* 4/1999 Barker ..... D3/203.1

D543,691 S \* 6/2007 Payne et al. .... D3/203.1  
D545,055 S \* 6/2007 Lieberman et al. .... D3/203.1  
D548,954 S \* 8/2007 Andersen et al. .... D3/203.1  
D556,444 S \* 12/2007 Ipsen et al. .... D3/203.1  
D587,901 S 3/2009 Pidgeon et al.  
D602,582 S 10/2009 Pidgeon et al.  
D602,583 S 10/2009 Pidgeon et al.  
D602,584 S 10/2009 Pidgeon et al.

\* cited by examiner

*Primary Examiner*—Holly H Baynham

(74) *Attorney, Agent, or Firm*—Knobbe Martens Olson &  
Bear LLP

(57) **CLAIM**

The ornamental design for a double flap bag, as shown and  
described.

**DESCRIPTION**

FIG. 1 is a front elevation view of a double flap bag, shown  
with two front flaps folded back.

FIG. 2 is a top plan view of the bag of FIG. 1.

FIG. 3 is a bottom plan view of the bag of FIG. 1.

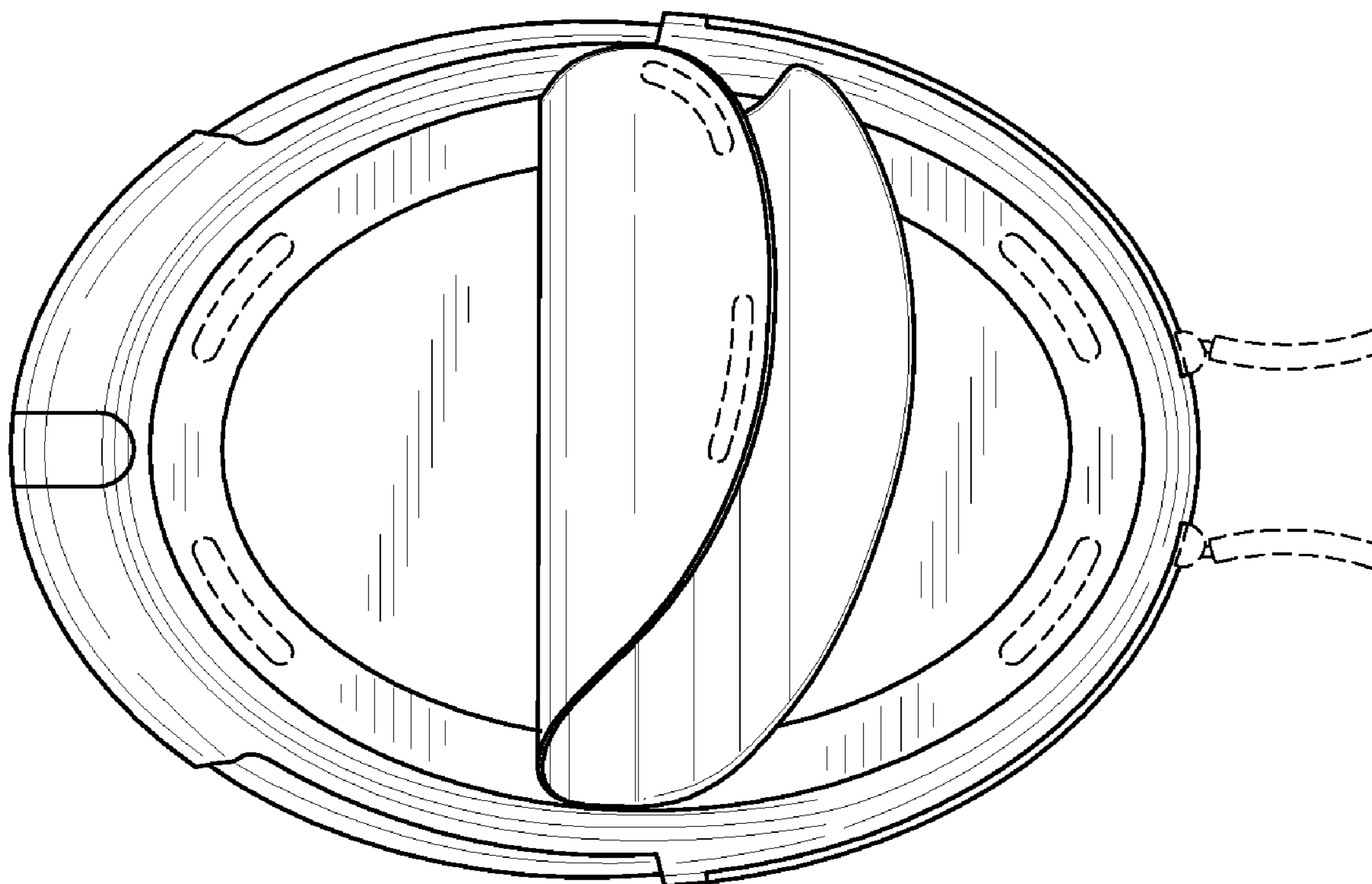
FIG. 4 is a rear elevation view of the bag of FIG. 1.

FIG. 5 is a left elevation view of the bag of FIG. 1; and,

FIG. 6 is a right elevation view of the bag of FIG. 1.

The broken lines are for illustrative purposes only and form  
no part of the claimed design.

**1 Claim, 3 Drawing Sheets**



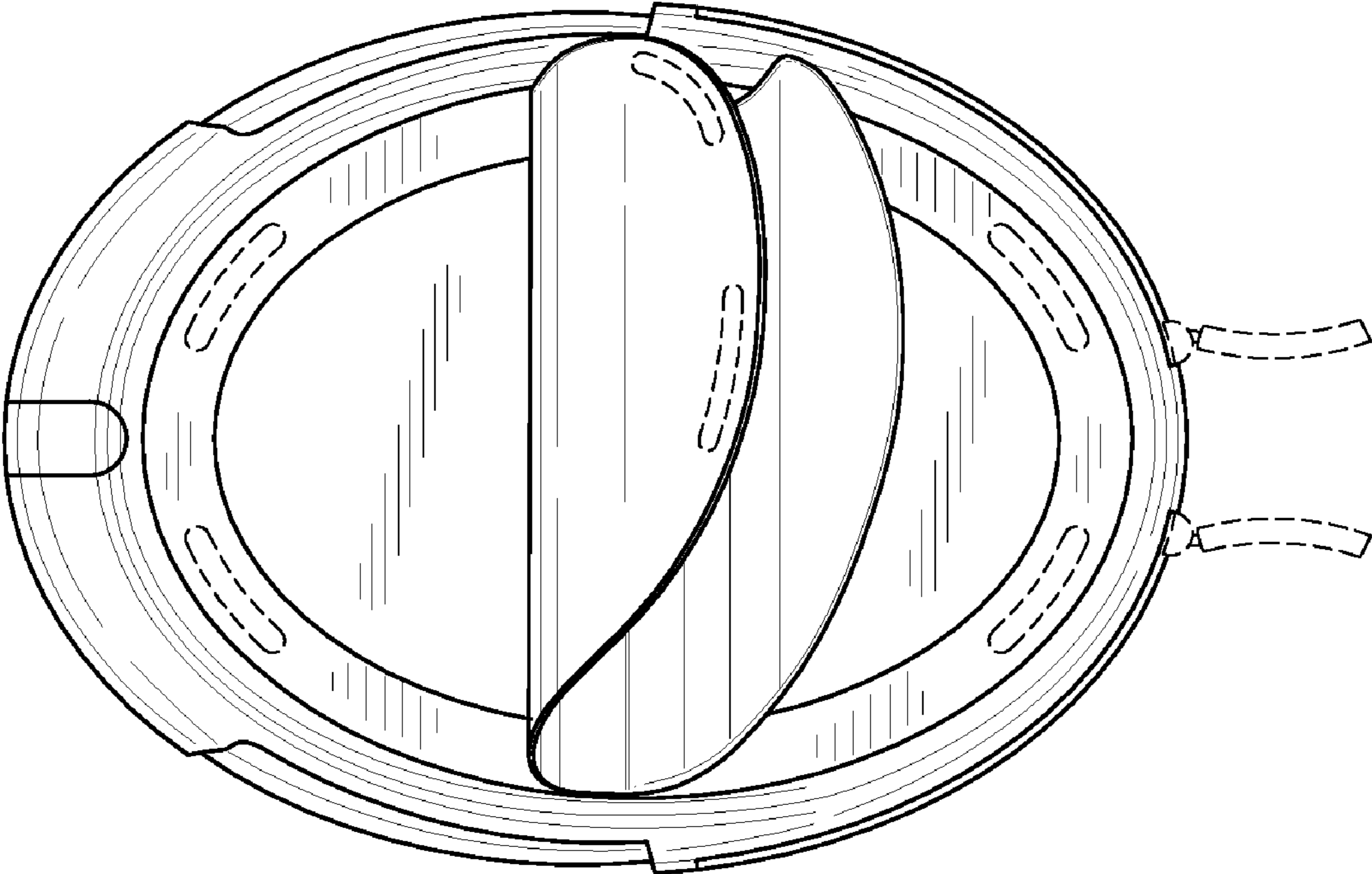


FIG. 1

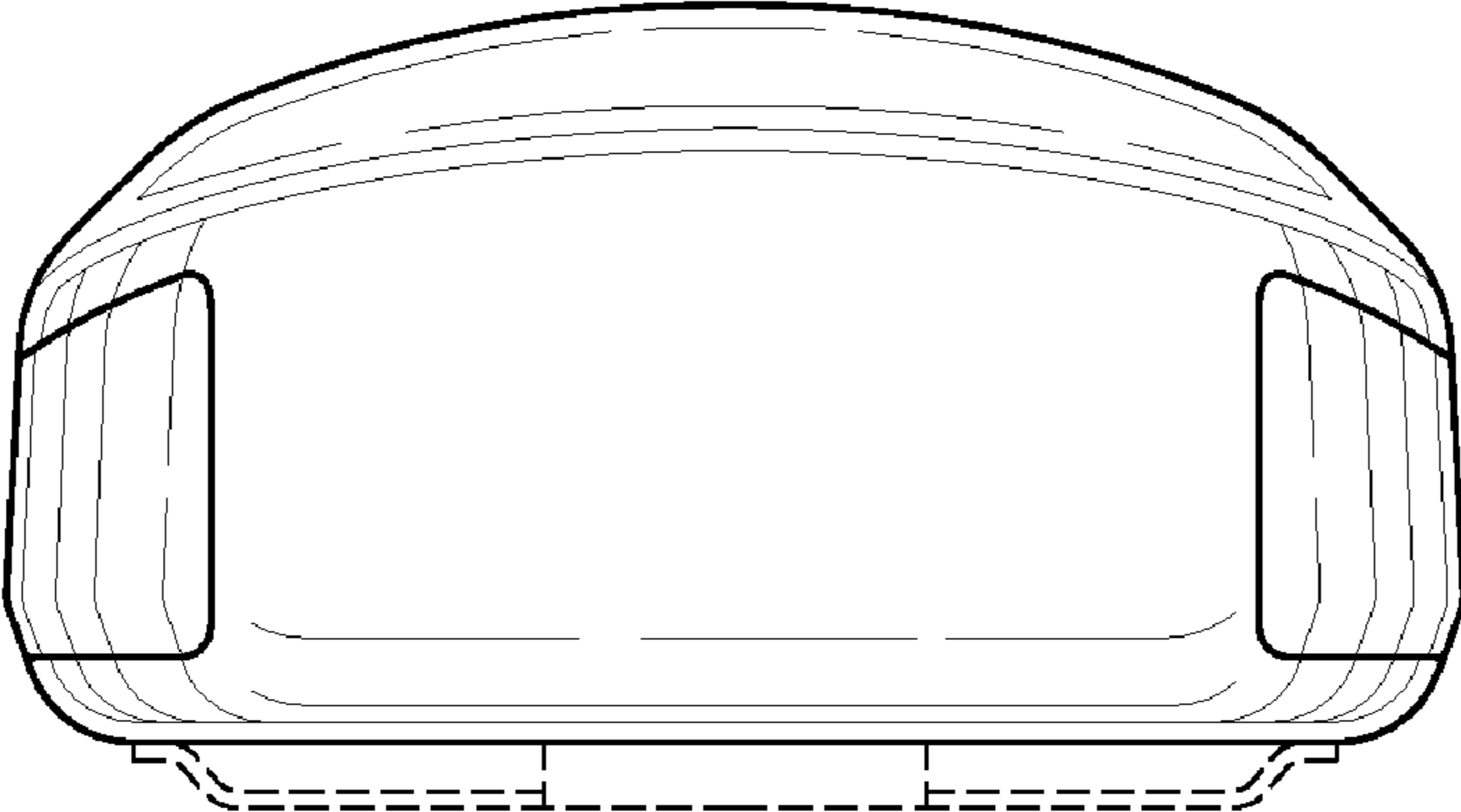


FIG. 2

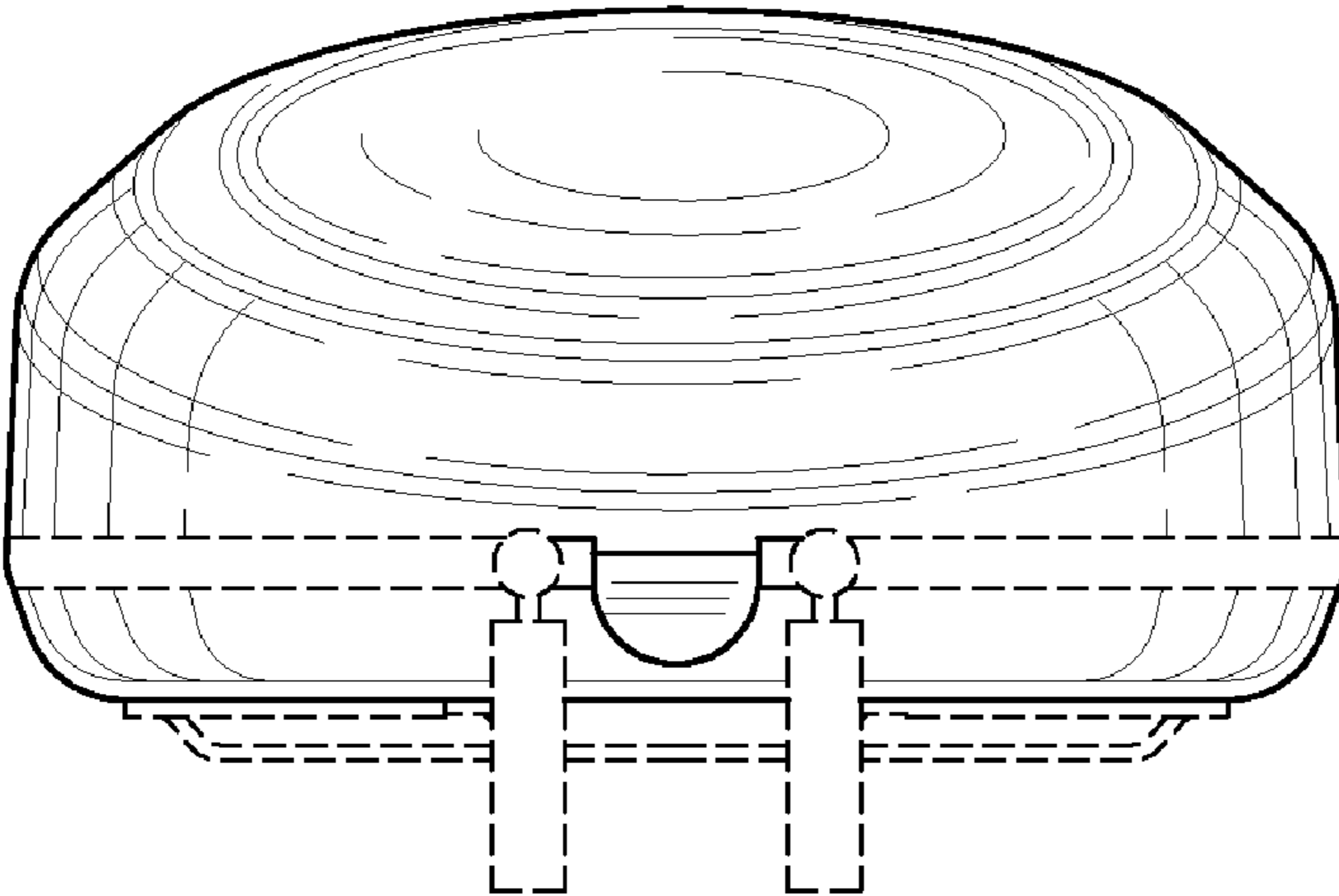


FIG. 3

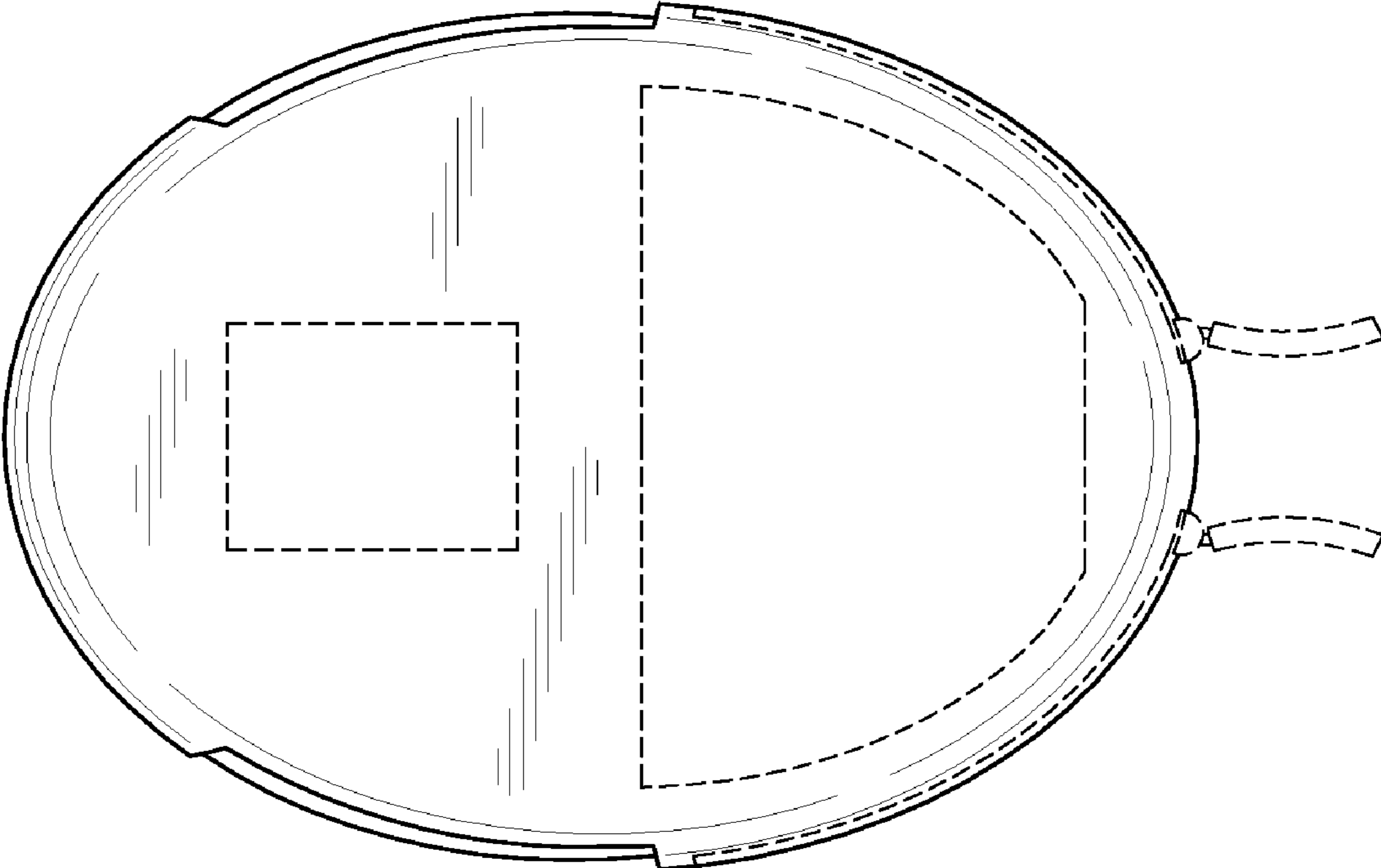


FIG. 4

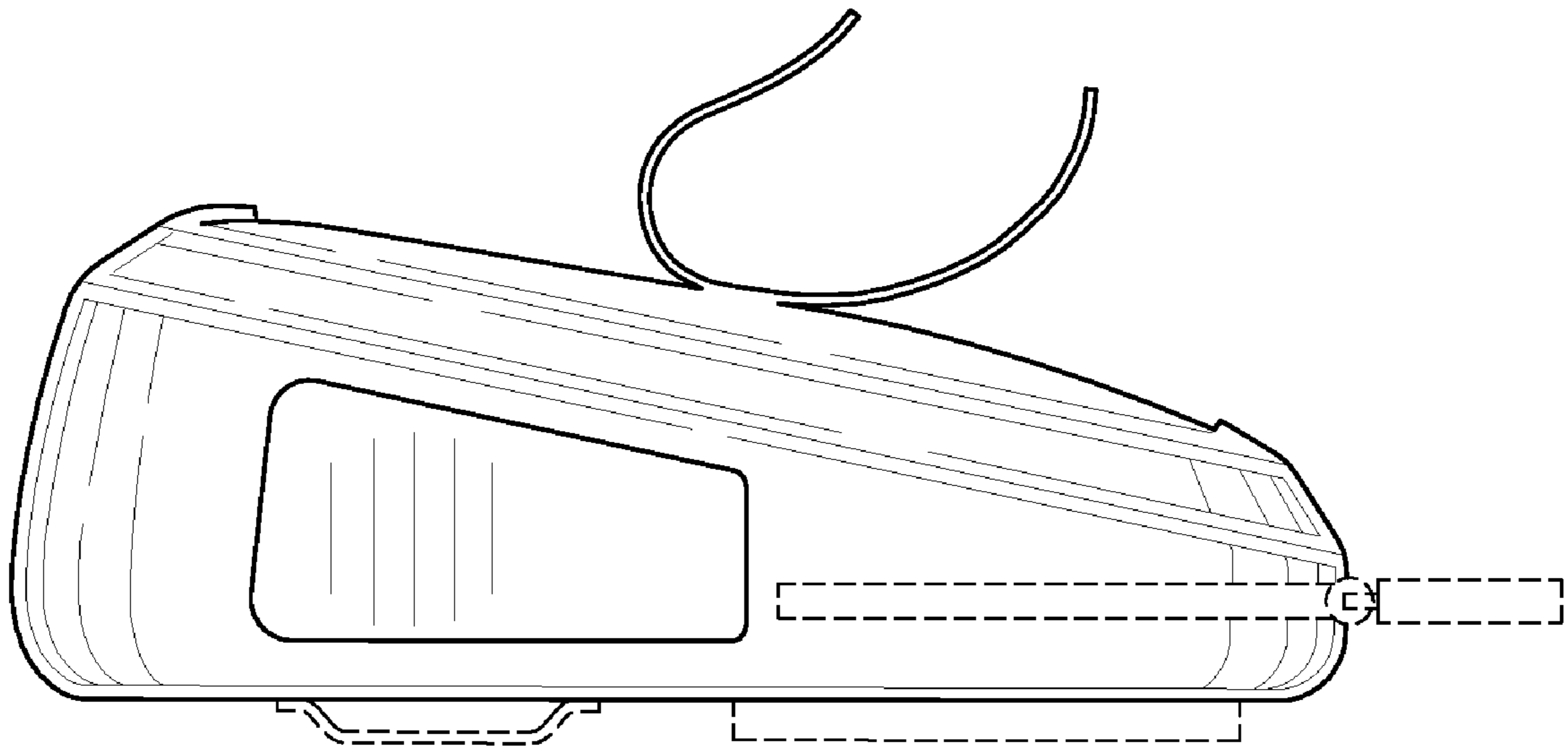


FIG. 5

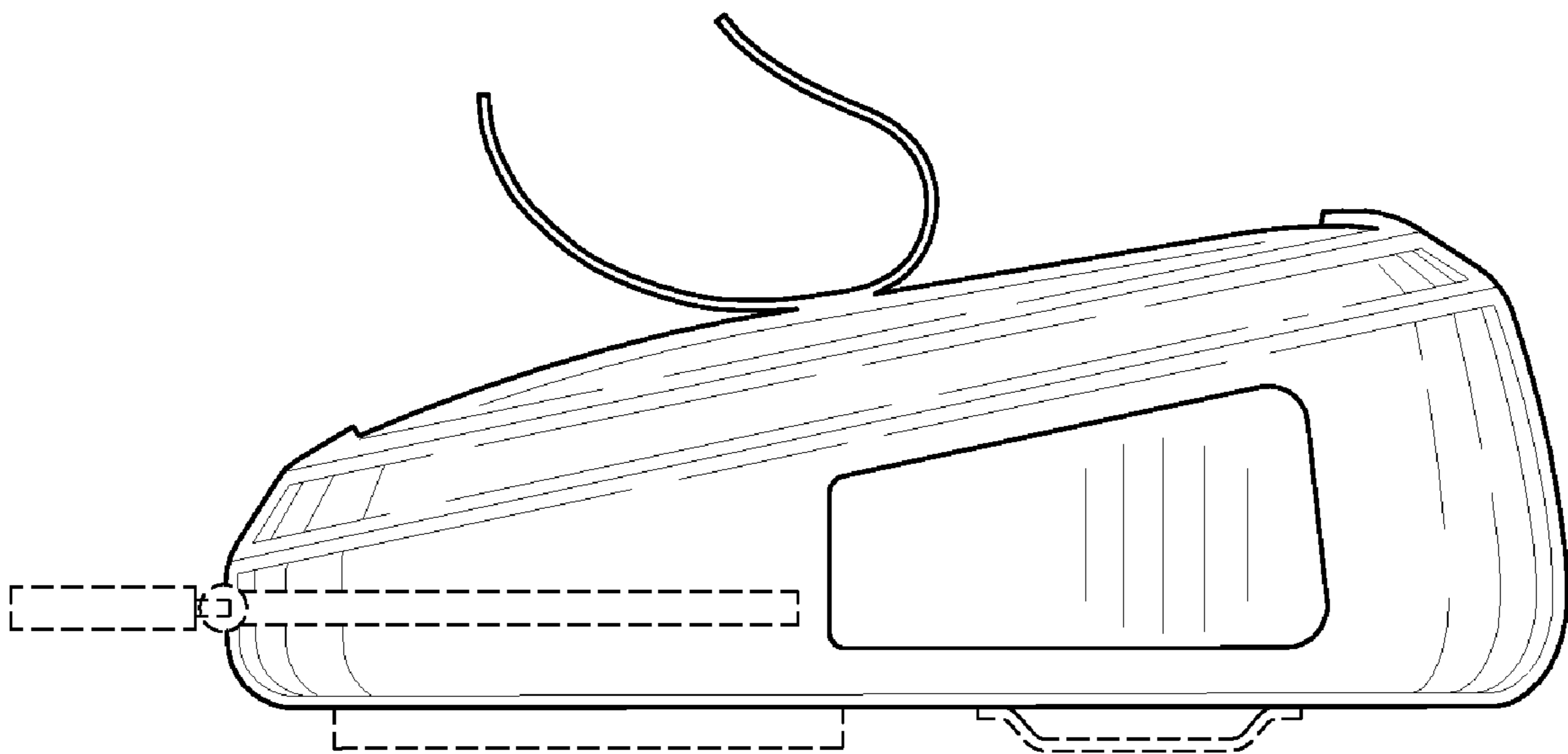


FIG. 6