



US00D617093S

(12) **United States Design Patent**
Pedersen et al.

(10) **Patent No.:** **US D617,093 S**
(45) **Date of Patent:** **** Jun. 8, 2010**

(54) **CLIP FOR PORTABLE COMMUNICATIONS DEVICE**

Primary Examiner—Catherine R Oliver
(74) *Attorney, Agent, or Firm*—Birch, Stewart, Kolasch & Birch, LLP

(75) Inventors: **Lars Pedersen**, Hellerup (DK); **Sune Pelle Borregaard**, Smorum (DK)

(57) **CLAIM**

(73) Assignee: **Oticon A/S**, Smorum (DK)

The ornamental design for a clip for portable communications device, substantially as shown and described.

(**) Term: **14 Years**

(21) Appl. No.: **29/287,557**

DESCRIPTION

(22) Filed: **Aug. 22, 2007**

FIG. 1 is an elevated right, front perspective view of the clip for portable communications device;

(30) **Foreign Application Priority Data**

FIG. 2 is a top view of the clip for portable communications device;

Mar. 27, 2007 (EP) 000696448-0003

FIG. 3 is a side view of the clip for portable communications device;

(51) **LOC (9) Cl.** **03-01**

(52) **U.S. Cl.** **D3/218**

(58) **Field of Classification Search** D3/218,
D3/215, 219, 228, 229, 226; 224/240–241,
224/247, 250, 252, 269, 908; 24/3.11, 3.12,
24/3.13; D8/395–396

FIG. 4 is a rear view of the clip for portable communications device; and,

See application file for complete search history.

FIG. 5 is an elevated right, front perspective view of the clip for portable communications device according to another embodiment, shown as having holes for a neck strap (shown in broken lines) and attached to a portable communications device (shown in broken lines).

(56) **References Cited**

U.S. PATENT DOCUMENTS

- D279,342 S * 6/1985 Crawford 224/247
- D287,905 S * 1/1987 Oyamada D3/218
- D354,677 S * 1/1995 Troyer D8/396
- D520,739 S * 5/2006 Tsai et al. D3/218
- D521,232 S * 5/2006 Andre et al. D3/218

All aspects of the second embodiment are the same as the first embodiment with the exception of the holes for the neck strap.

The broken lines in FIG. 5 are for illustrative purposes only and form no part of the claimed design.

* cited by examiner

1 Claim, 3 Drawing Sheets

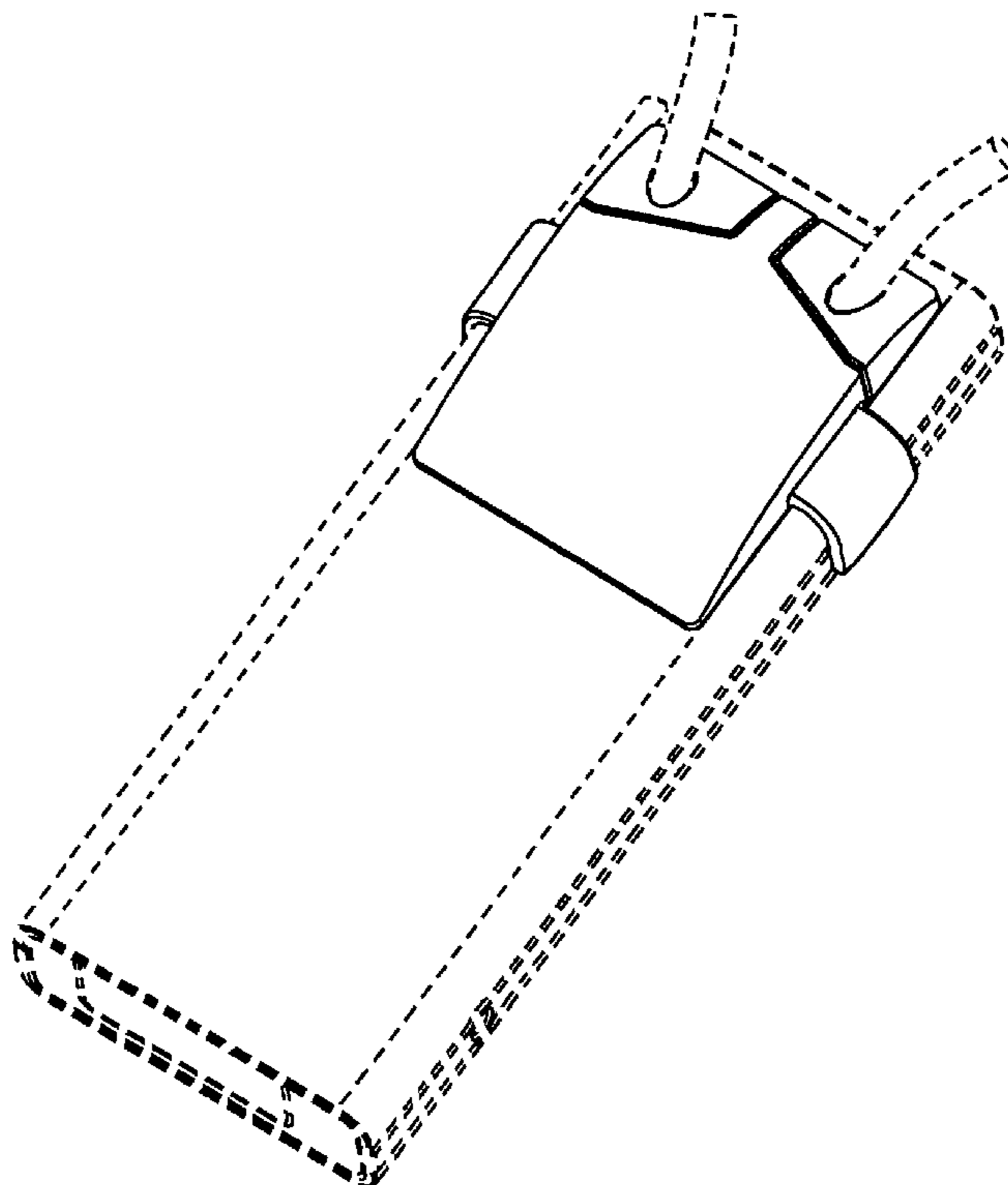


FIGURE 1

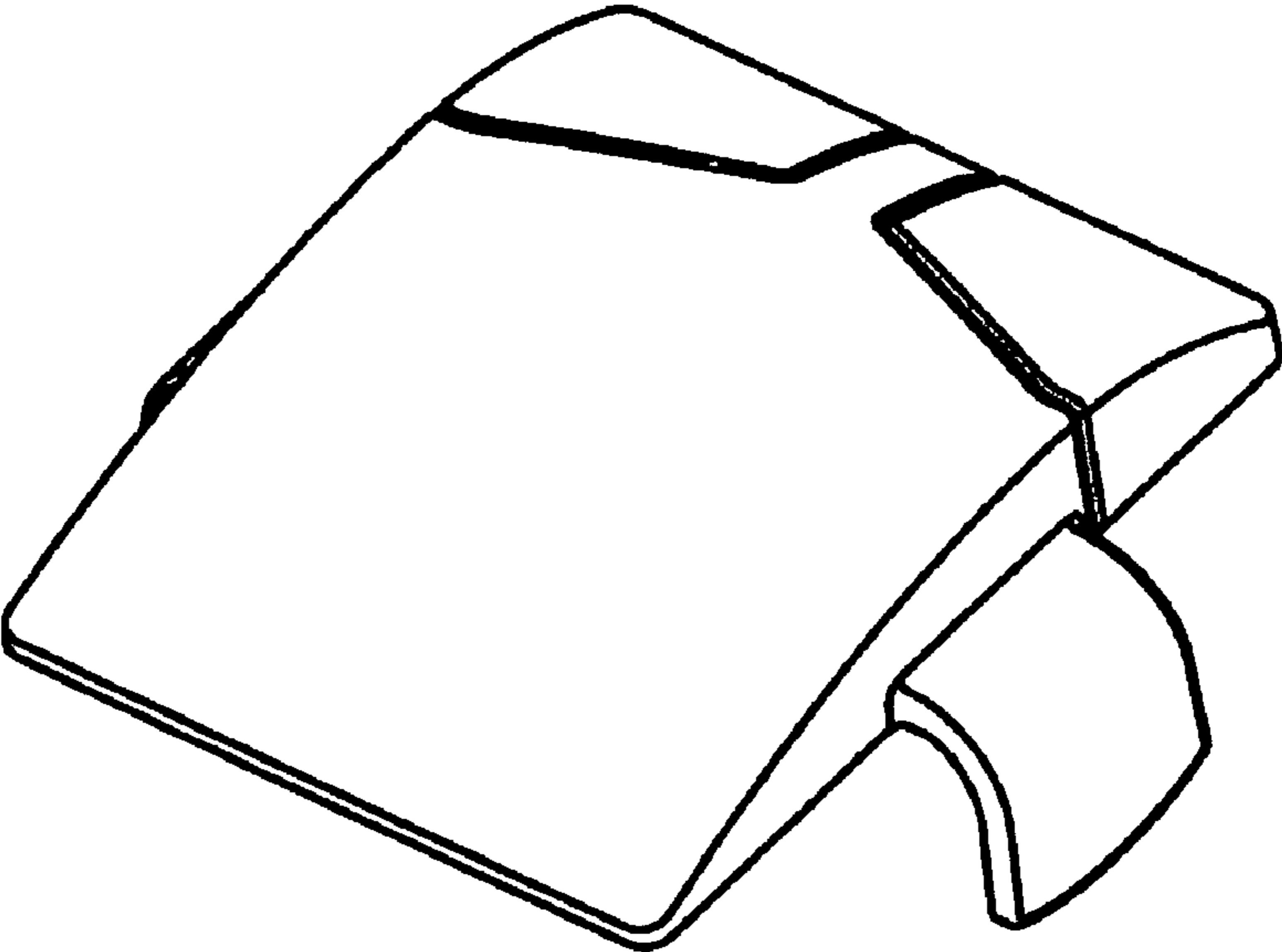


FIGURE 2

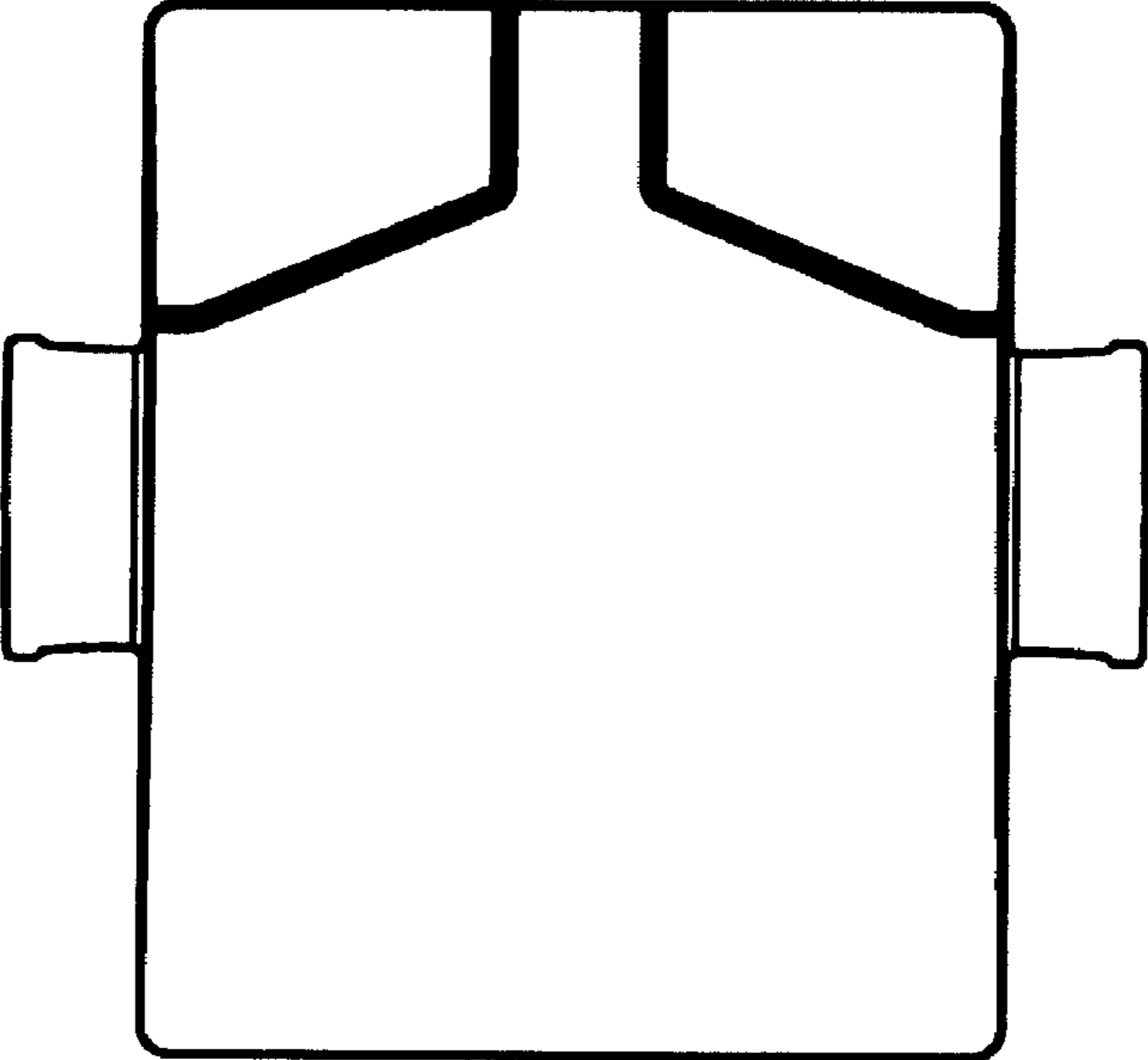


FIGURE 3

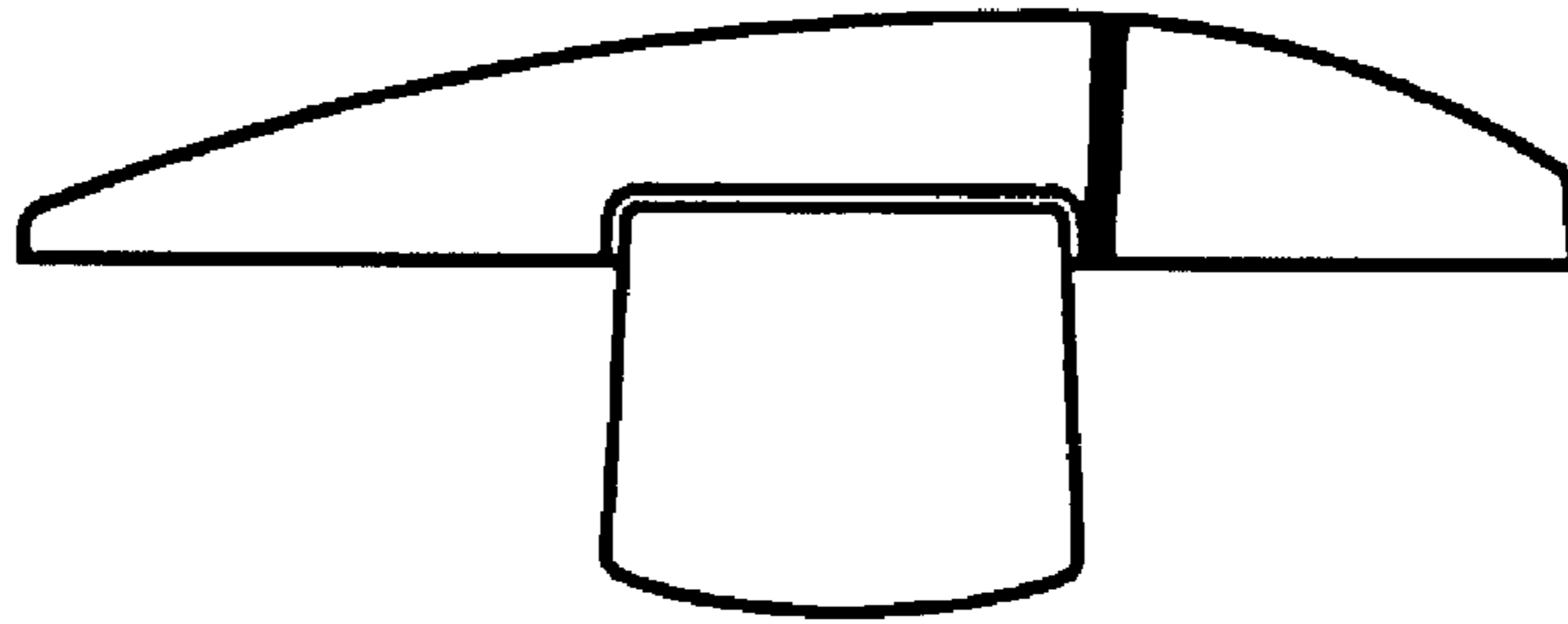


FIGURE 4

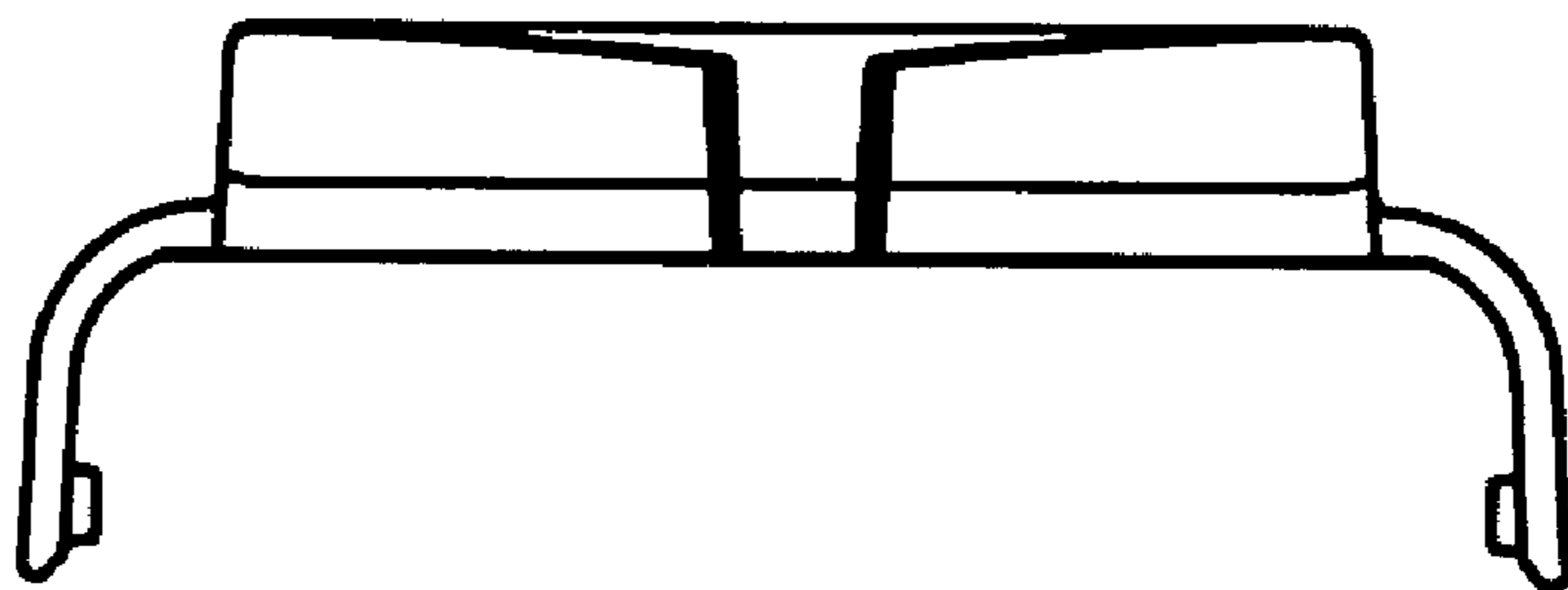


FIGURE 5

