



US00D617082S

(12) **United States Design Patent**  
**Snell**

(10) **Patent No.:** **US D617,082 S**  
(45) **Date of Patent:** **\*\* Jun. 8, 2010**

(54) **SUN HAT USED WITH PIGTAILS**

6,711,749 B2 \* 3/2004 White et al. .... 2/195.8

(76) **Inventor:** **Dawn M. Snell**, 1930 Flynn Glen,  
Escondido, CA (US) 92025

(\*\*) **Term:** **14 Years**

(Continued)

(21) **Appl. No.:** **29/315,727**

**OTHER PUBLICATIONS**

(22) **Filed:** **Jul. 20, 2009**

Playful Days Pigtail Sun Hats, as shown on <http://playfuldays.com>,  
viewed Mar. 18, 2010 (4 pages).\*

(51) **LOC (9) Cl.** ..... **02-03**

(52) **U.S. Cl.** ..... **D2/880**

(58) **Field of Classification Search** ..... D2/865,  
D2/866, 870, 871, 872, 873, 874, 875, 876,  
D2/877, 878, 879, 880, 881, 882, 884, 886,  
D2/888, 891, 892, 893, 894, 895; 2/171,  
2/171.2, 171.5, 172, 181, 181.2, 181.4, 181.6,  
2/181.8, 182.1, 182.2, 182.3, 182.4, 182.5,  
2/182.6, 182.7, 182.8, 183, 184.5, 200.1,  
2/204, 209.11, 209.12, 209.13, 209.4, 175.1,  
2/175.2, 175.3, 175.7, 195.1, 195.2, 195.7

*Primary Examiner*—Elizabeth A Albert

*Assistant Examiner*—Karen E Eldridge Powers

(74) *Attorney, Agent, or Firm*—Edwin H. Crabtree; Ramon L.  
Pizarro

See application file for complete search history.

(57) **CLAIM**

I claim the ornamental design for a sun hat used with pigtails,  
as shown and described.

(56) **References Cited**

**DESCRIPTION**

**U.S. PATENT DOCUMENTS**

1,103,876	A *	7/1914	Herrmann	.....	2/175.1
1,153,927	A *	9/1915	Katcher	.....	2/204
1,350,712	A *	8/1920	Dupont	.....	2/207
1,569,942	A *	1/1926	Barnhill	.....	2/209.11
2,624,052	A *	1/1953	Redlin	.....	2/204
D173,620	S *	12/1954	Krieger et al.	.....	D2/876
4,384,371	A *	5/1983	Sonne	.....	2/204
D314,857	S *	2/1991	Vossler	.....	D2/888
5,003,635	A *	4/1991	Peterson	.....	2/69
5,511,249	A *	4/1996	Higgins	.....	2/209.7
D384,792	S *	10/1997	Xu	.....	D2/870
D391,388	S *	3/1998	Higgins et al.	.....	D2/882
5,799,334	A *	9/1998	Griffith et al.	.....	2/195.1
D407,189	S *	3/1999	Turner	.....	D2/882
5,933,872	A *	8/1999	Lema	.....	2/209.7
D420,207	S *	2/2000	Barton et al.	.....	D2/889
D482,849	S *	12/2003	Mansell et al.	.....	D2/882
6,671,885	B2 *	1/2004	Viggiano	.....	2/209.13
D486,623	S *	2/2004	Mansell et al.	.....	D2/886

FIG. 1 is a rear perspective view of a sun hat used with pigtails  
illustrating my new design.

FIG. 2 is a front view of a sun hat used with pigtails illustrat-  
ing my new design.

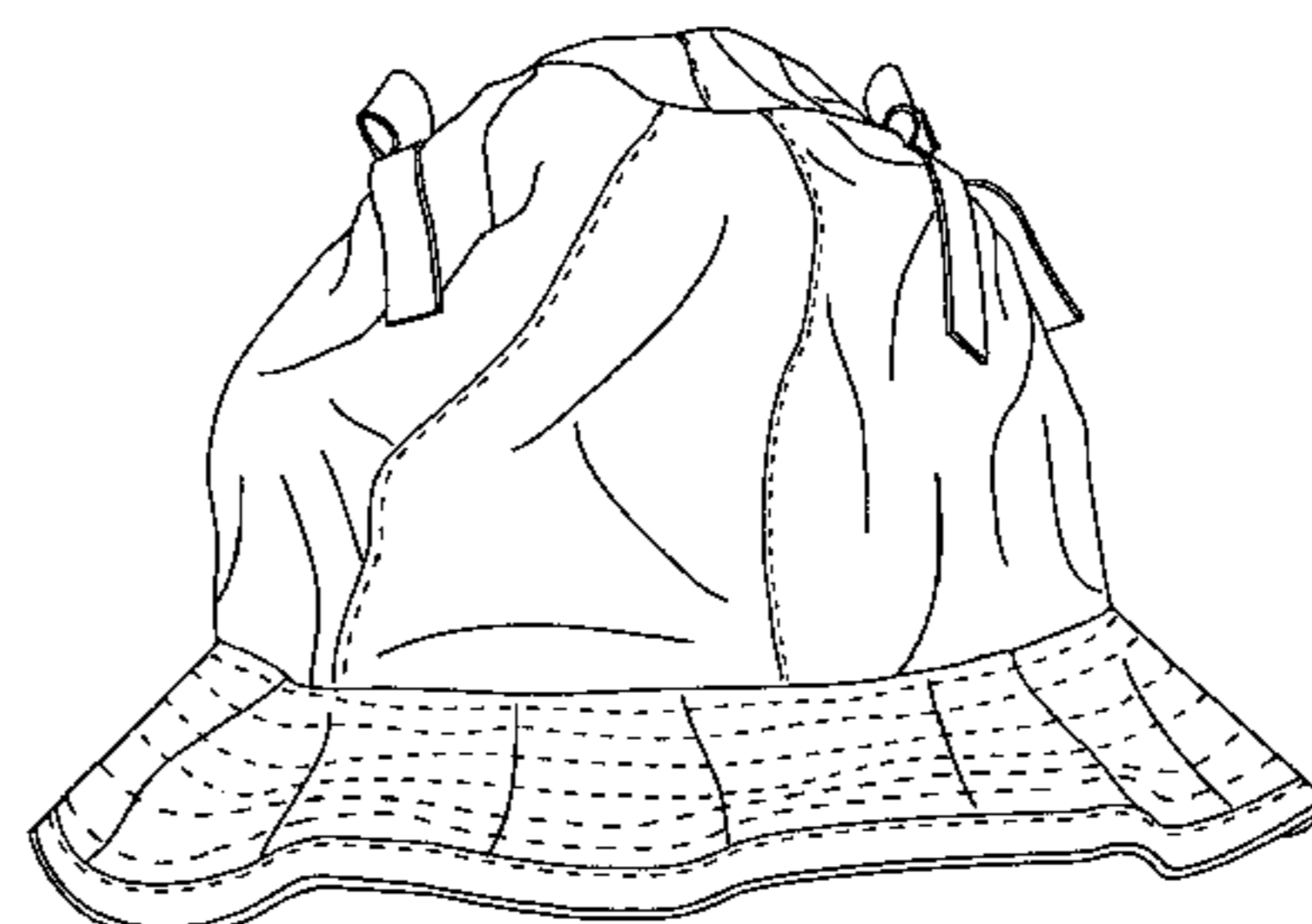
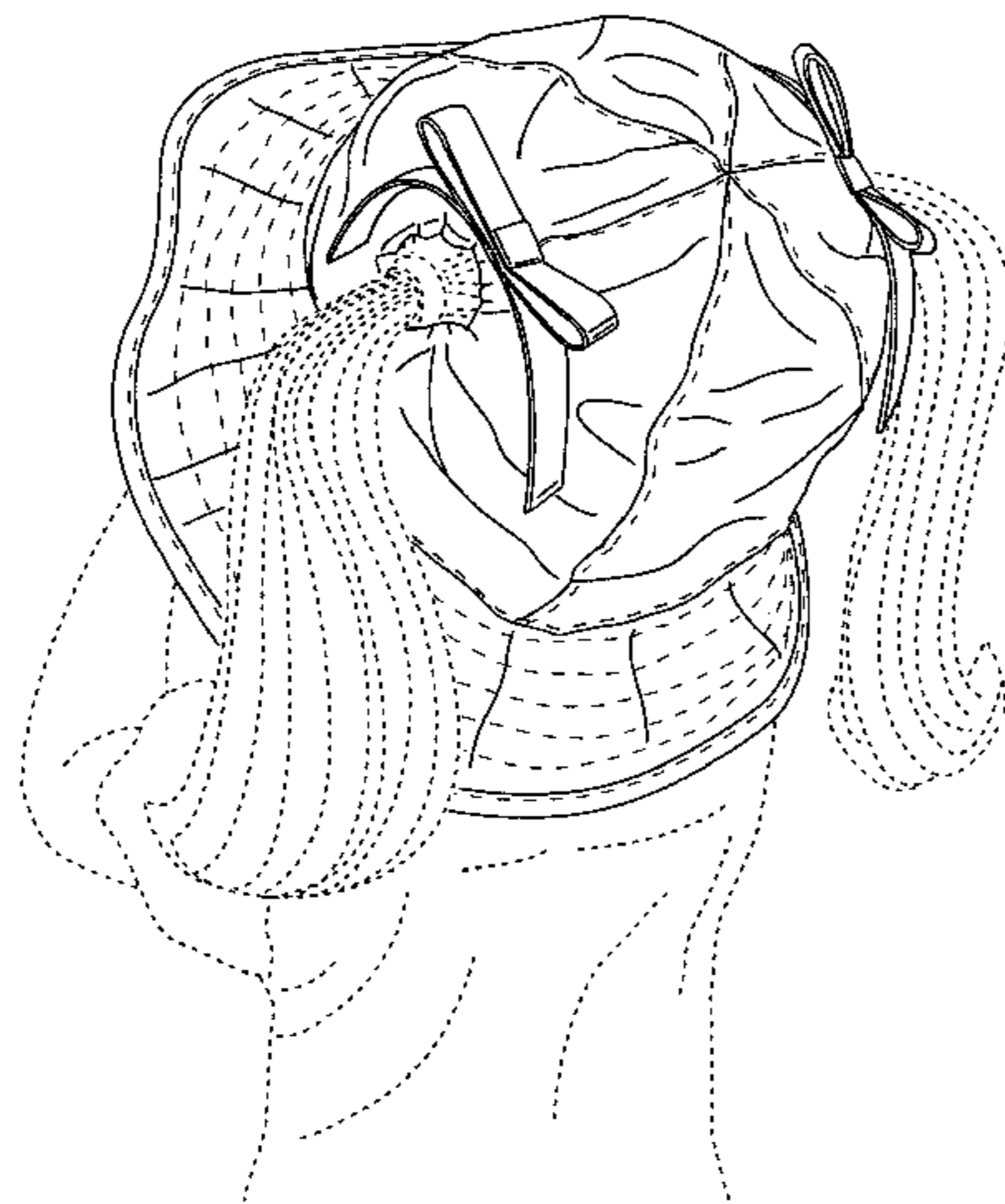
FIG. 3 is a first side view of a sun hat used with pigtails  
illustrating my new design.

FIG. 4 is a second side view of a sun hat used with pigtails  
illustrating my new design; and,

FIG. 5 is a bottom view of a Sun Hat used with Pigtails  
illustrating my new design.

The broken lines showing a pair of pigtails and a child's upper  
body and arm in FIG. 1 illustrate environmental matter and  
form no part of the claimed design. The broken lines shown  
along side the seams of the crown and in rows on the rim  
illustrate stitching and are part of the claimed design.

**1 Claim, 2 Drawing Sheets**



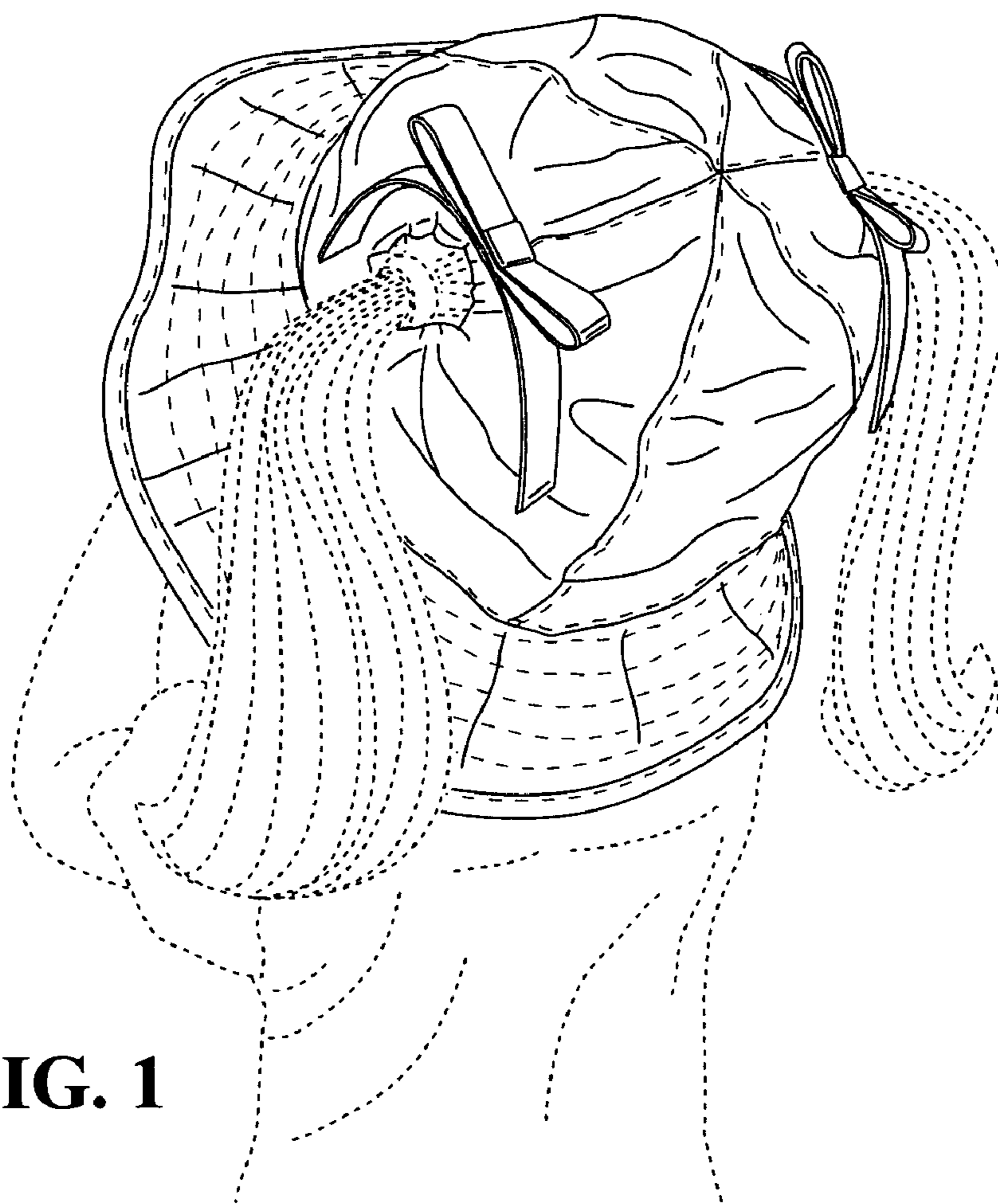
# US D617,082 S

Page 2

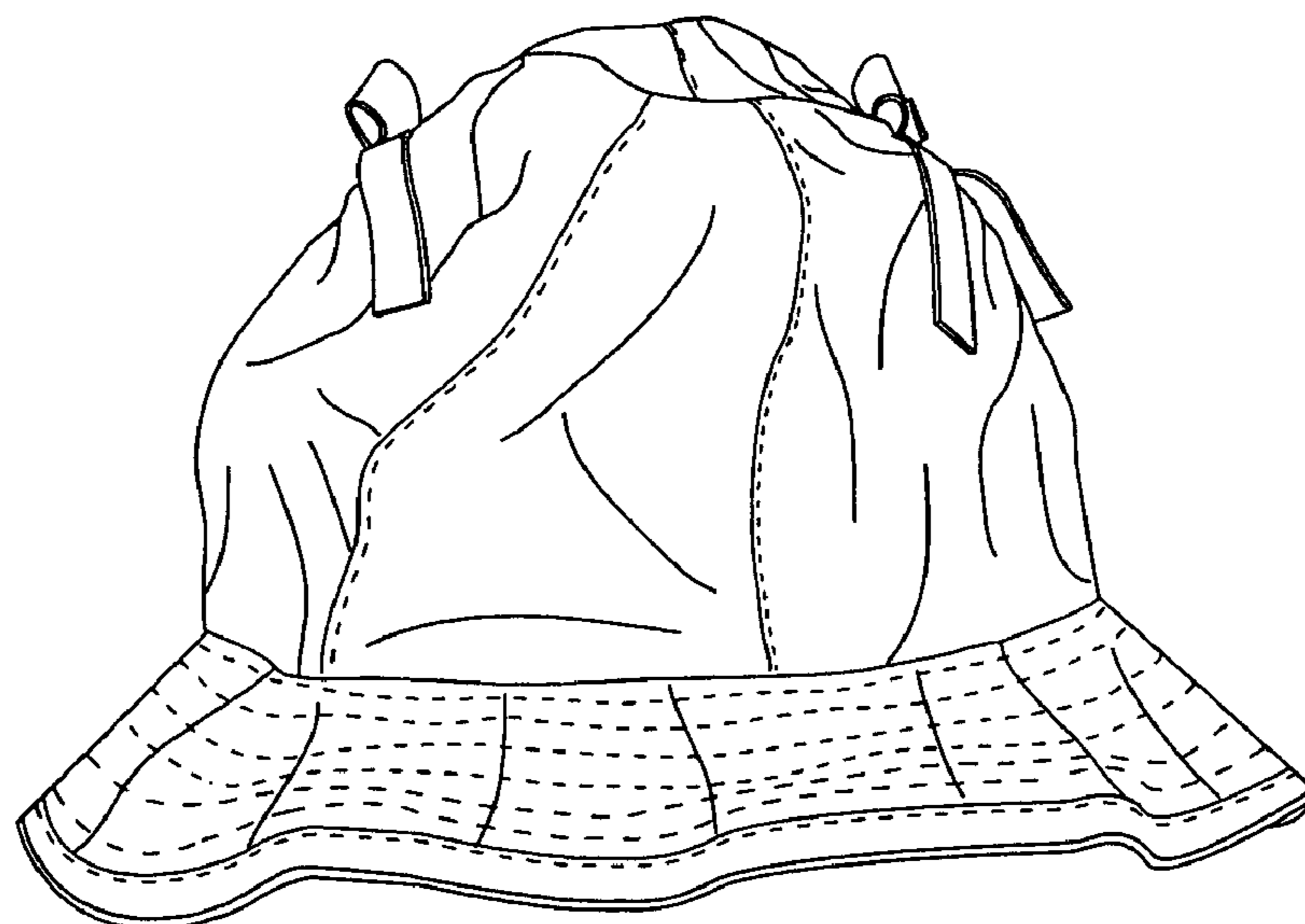
---

U.S. PATENT DOCUMENTS			
D538,010 S *	3/2007	Pegula .....	D2/878
2003/0009813 A1 *	1/2003	Dreher .....	2/171
2006/0010566 A1 *	1/2006	Ridgeway .....	2/171
2008/0092272 A1 *	4/2008	Vainio et al. ....	2/209.7
2009/0151047 A1 *	6/2009	Garza .....	2/174

\* cited by examiner



**FIG. 1**



**FIG. 2**

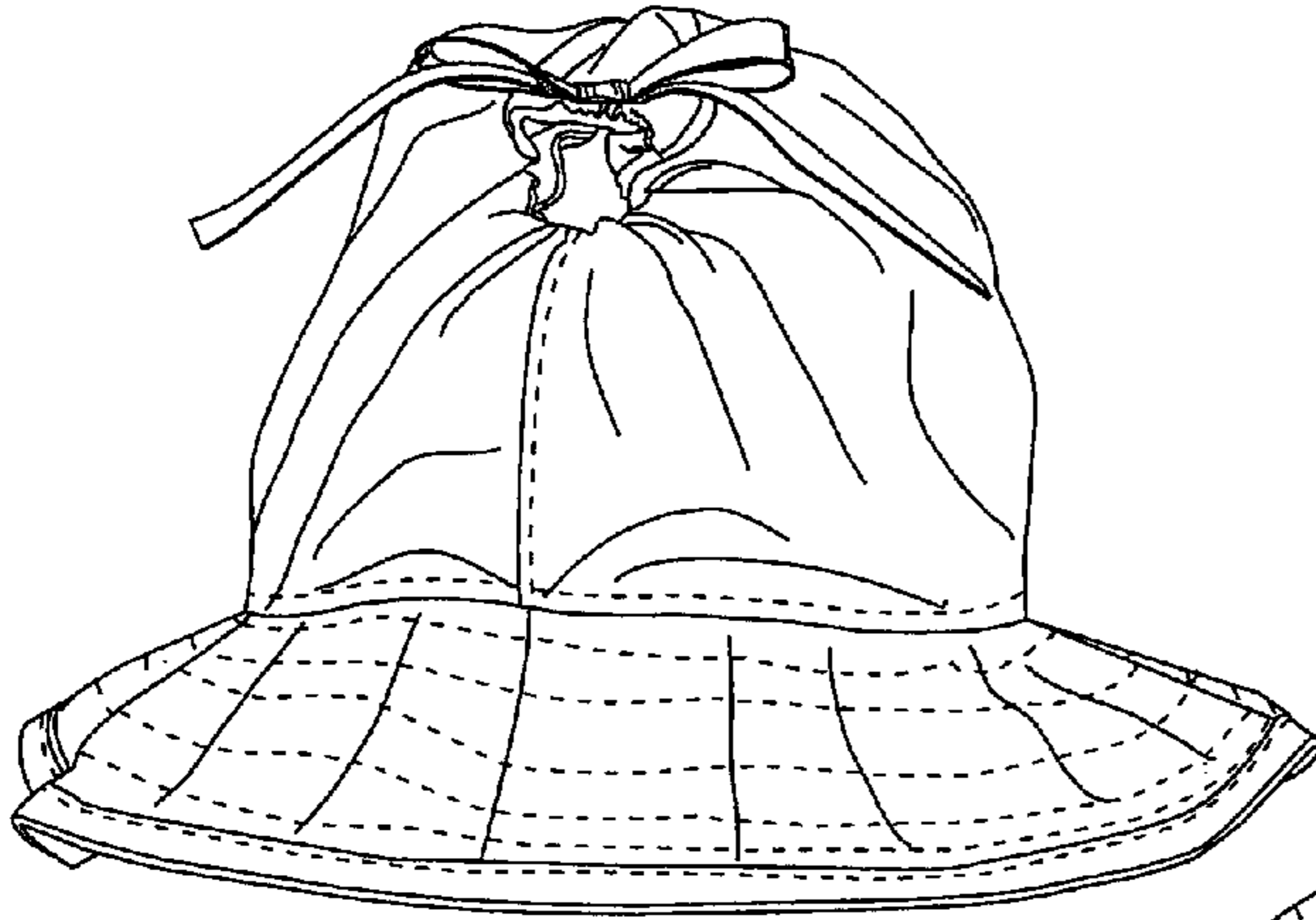


FIG. 3

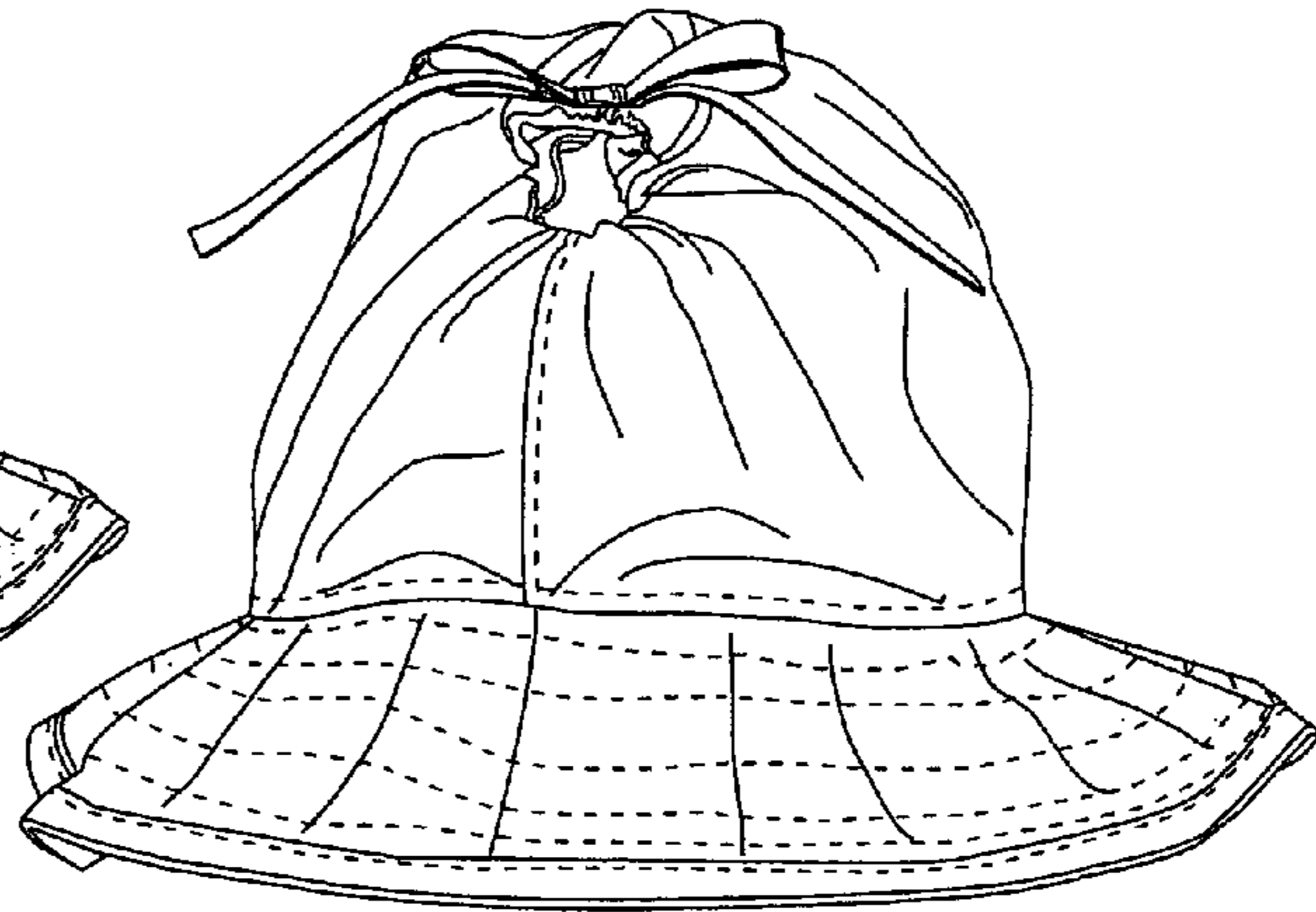


FIG. 4

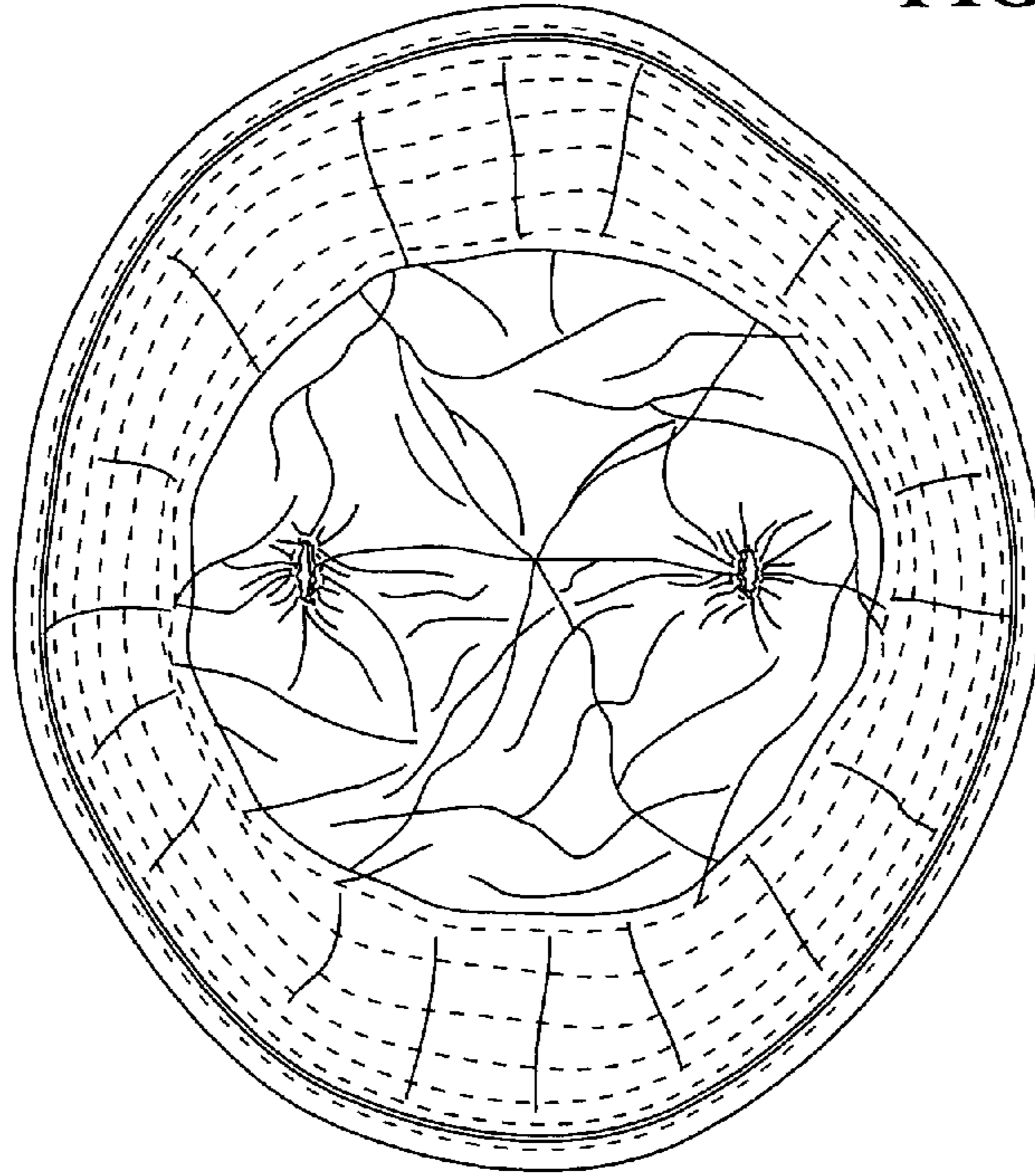


FIG. 5