



US00D617079S

(12) **United States Design Patent**
Brown et al.

(10) **Patent No.:** **US D617,079 S**
(45) **Date of Patent:** **** *Jun. 8, 2010**

(54) **COMESTIBLE**

(75) Inventors: **Scott G. Brown**, Oswego, IL (US);
Dennis W. Ryboldt, Beecher, IL (US)

(73) Assignee: **Wm. Wrigley Jr. Company**, Chicago, IL (US)

(*) Notice: This patent is subject to a terminal disclaimer.

(**) Term: **14 Years**

(21) Appl. No.: **29/337,099**

(22) Filed: **May 14, 2009**

(51) **LOC (9) Cl.** **01-01**

(52) **U.S. Cl.** **D1/127**

(58) **Field of Classification Search** D1/100-199;
D24/101, 102; 426/87, 89, 103, 104, 129,
426/138, 144, 249, 660, 383, 512, 808
See application file for complete search history.

(56) **References Cited**

U.S. PATENT DOCUMENTS

1,855,145	A *	4/1932	Bartlett	426/87
2,613,185	A *	10/1952	Marshall	510/146
2,685,517	A *	8/1954	Dunmire	426/72
3,959,503	A *	5/1976	Laugherty	426/283
D271,536	S *	11/1983	Siecke	D1/127
4,822,622	A *	4/1989	Dokuzovic et al.	426/5
4,847,090	A *	7/1989	Della Posta et al.	
D310,750	S *	9/1990	Constance	D1/128

D371,144	S *	6/1996	Dunn	D15/89
5,538,742	A	7/1996	McHale et al.	
D445,992	S *	8/2001	Reinhart et al.	D1/128
D447,836	S *	9/2001	Beaujean	D28/8.1
D509,941	S *	9/2005	Prins et al.	D1/121
7,172,783	B2 *	2/2007	Murray et al.	426/582
2007/0231427	A1	10/2007	Ream	
2008/0317902	A1 *	12/2008	Barreca	426/5
2009/0148568	A1 *	6/2009	Kawamura et al.	426/89
2009/0214720	A1 *	8/2009	Almenares et al.	426/101

* cited by examiner

Primary Examiner—Cathron C Brooks

Assistant Examiner—Barbara Fox

(74) *Attorney, Agent, or Firm*—Vincent S. Egolf; Wm. Wrigley Jr. Company

(57) **CLAIM**

The ornamental design for a comestible, as shown and described.

DESCRIPTION

FIG. 1 is a top perspective view of a comestible, showing our new design;

FIG. 2 is a front view thereof;

FIG. 3 is a rear view thereof;

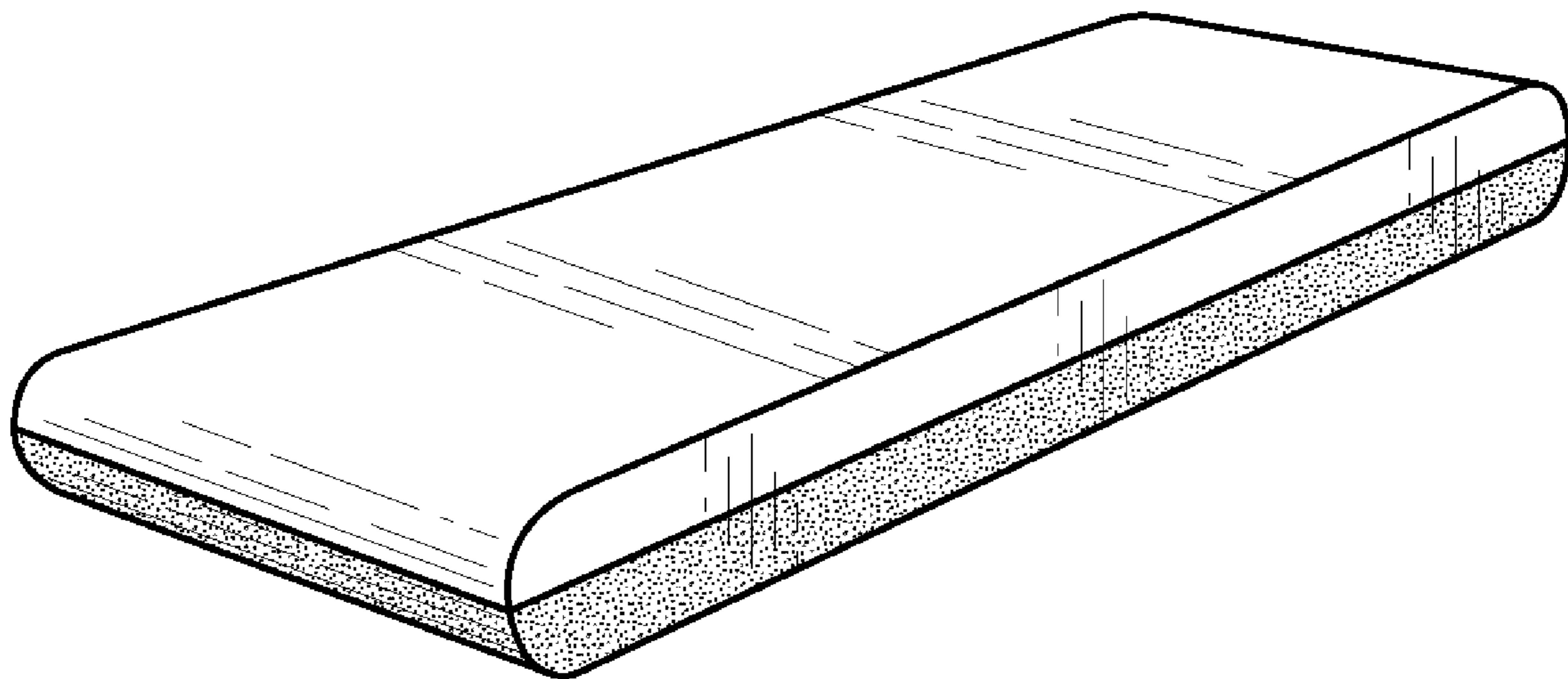
FIG. 4 is a side view thereof;

FIG. 5 is a top view thereof;

FIG. 6 is a bottom view thereof; and,

FIG. 7 is a bottom perspective view thereof.

1 Claim, 3 Drawing Sheets



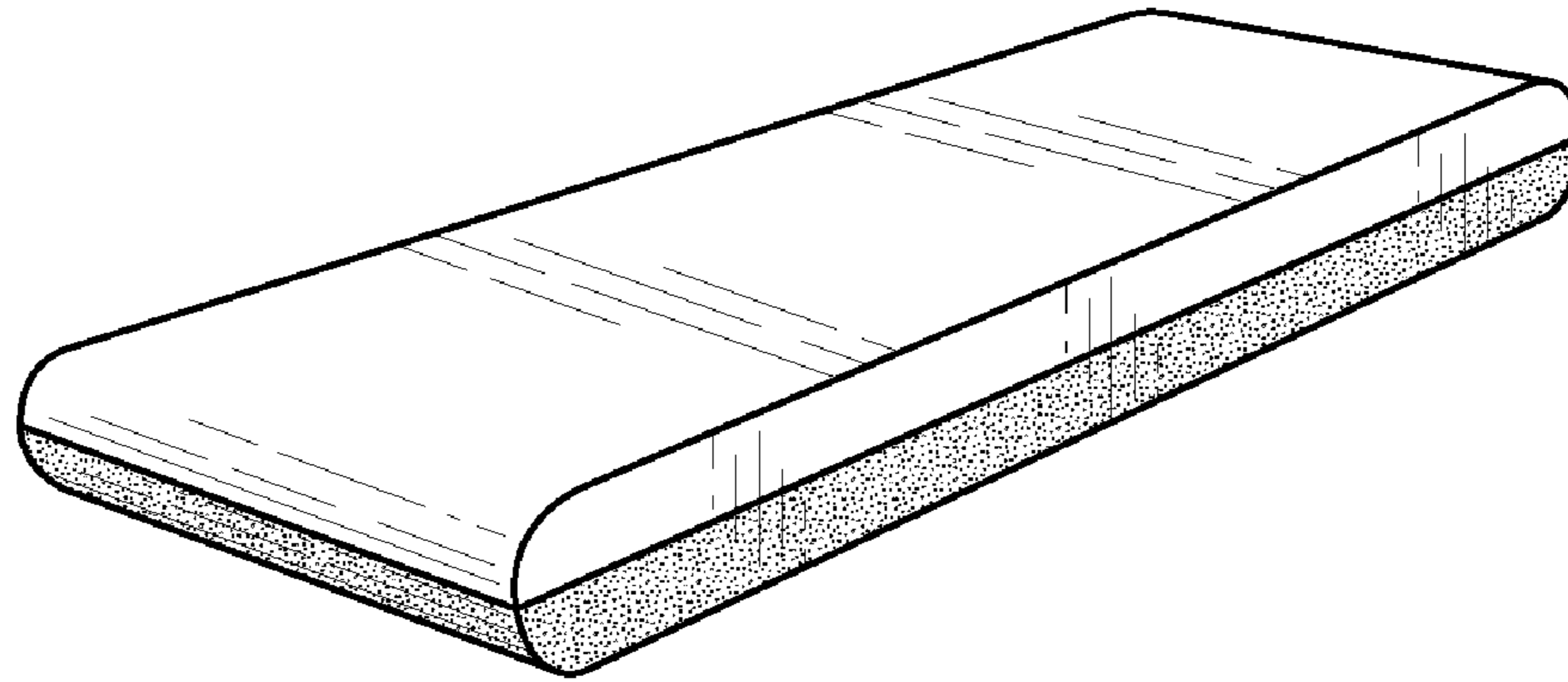


FIG. 1

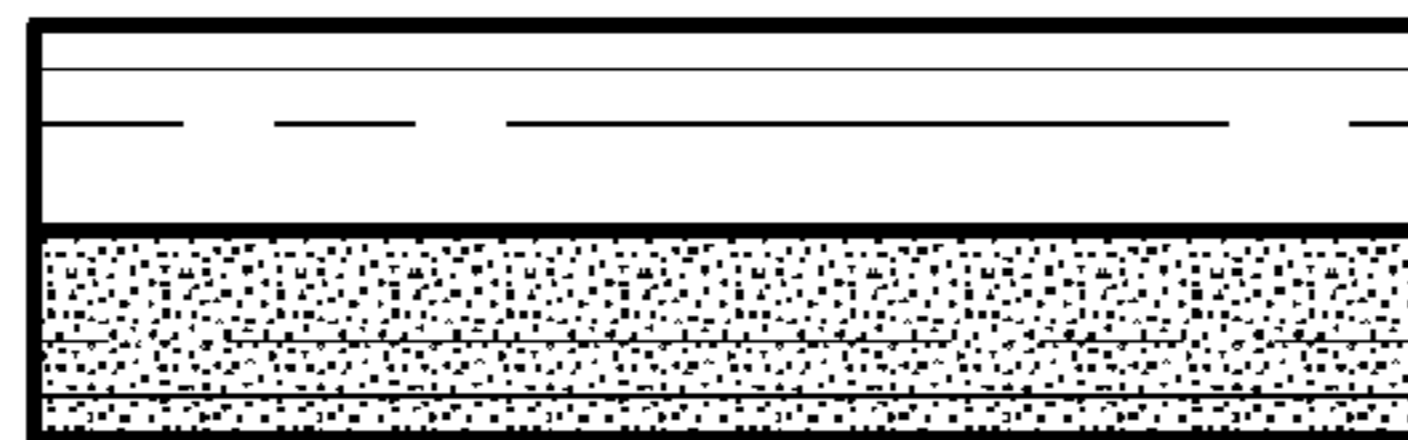


FIG. 2

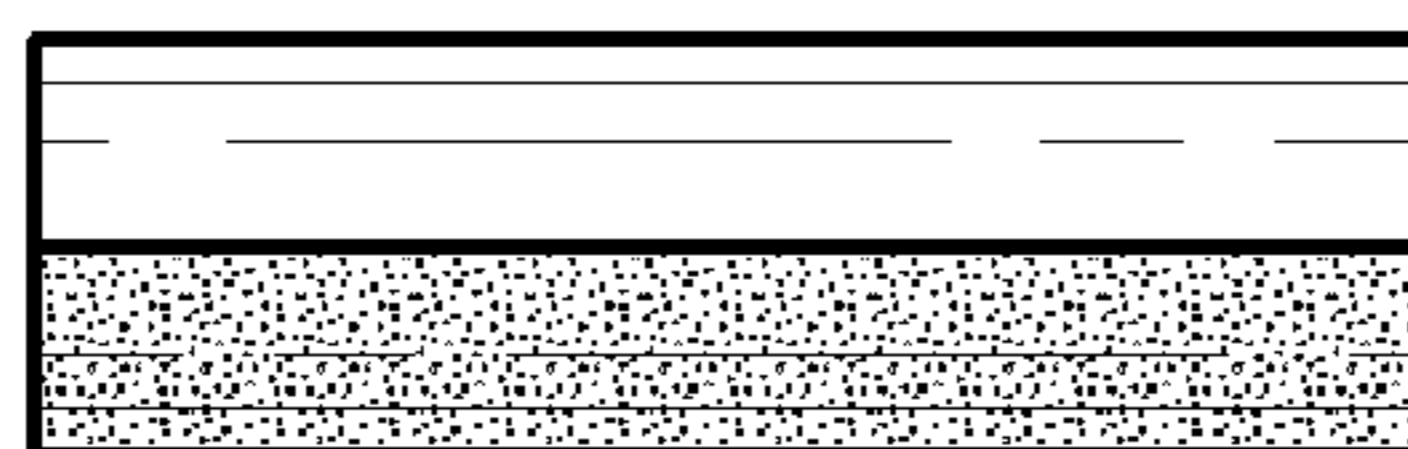


FIG. 3

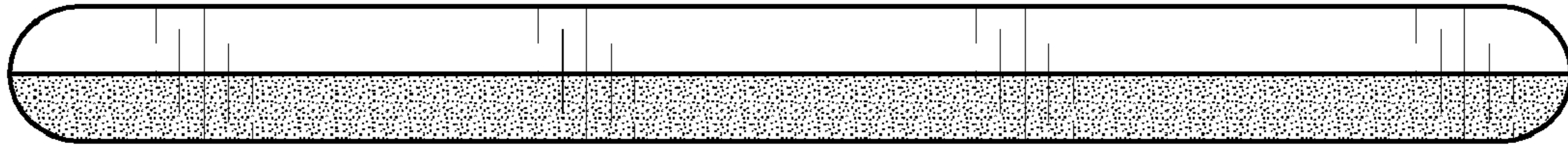


FIG. 4

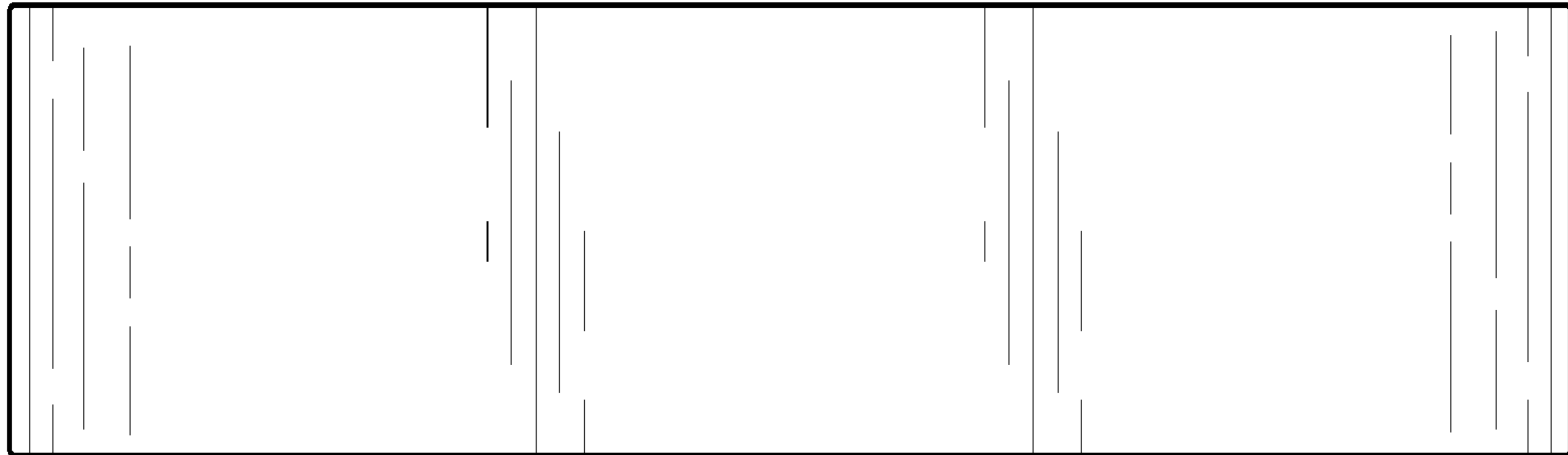


FIG. 5

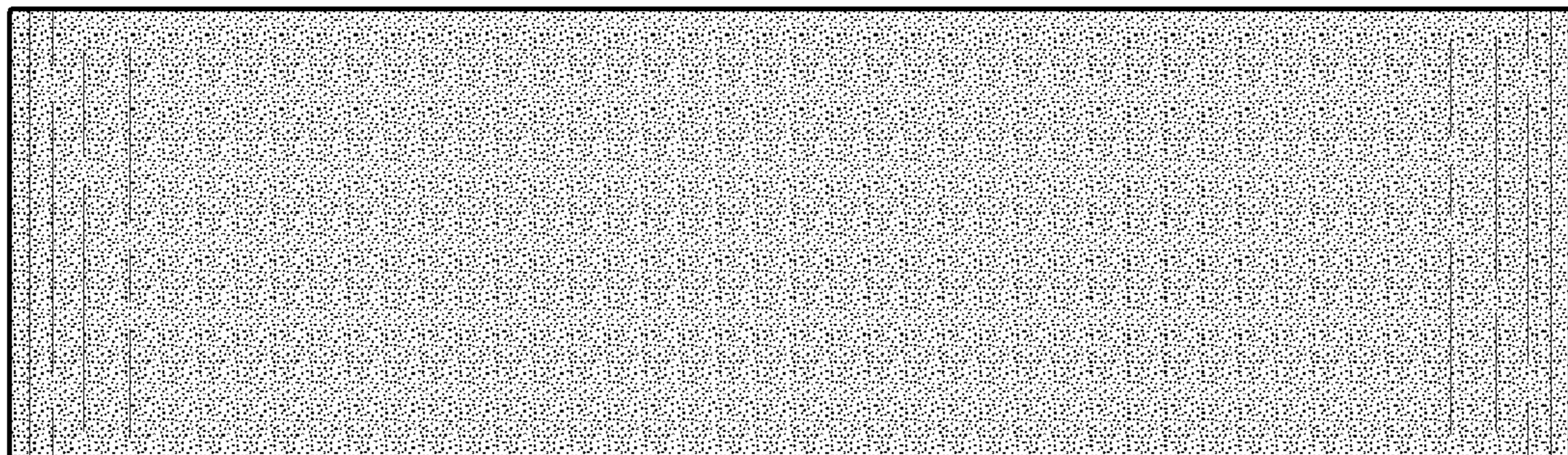


FIG. 6

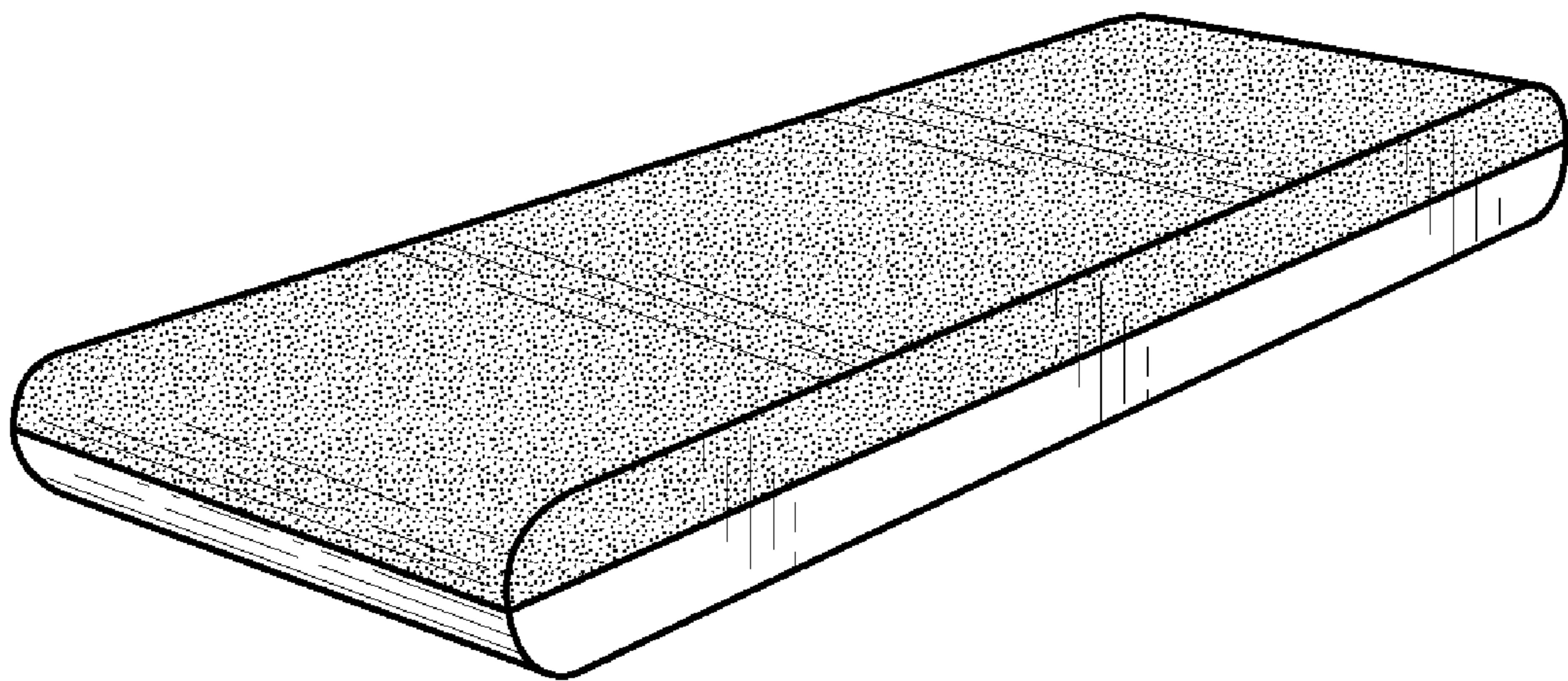


FIG. 7