



US00D617076S

(12) **United States Design Patent**
Conway, Jr.

(10) **Patent No.:** **US D617,076 S**
(45) **Date of Patent:** **** Jun. 8, 2010**

(54) **LOLLIPOP**

(75) **Inventor:** **William Frederick Conway, Jr.**, New Albany, IN (US)

(73) **Assignee:** **Squire Boone Caverns, Inc.**, New Albany, IN (US)

(**) **Term:** **14 Years**

(21) **Appl. No.:** **29/339,810**

(22) **Filed:** **Jul. 8, 2009**

(51) **LOC (9) Cl.** **01-01**

(52) **U.S. Cl.** **D1/106**

(58) **Field of Classification Search** D1/100-199;
D7/602; D4/131-135, 138; D32/51; 426/90,
426/91, 100, 101, 104, 132, 134, 138, 139,
426/421, 515; D8/107; D28/88; D11/33,
D11/63, 67, 70, 84, 108, 115; D21/803
See application file for complete search history.

(56) **References Cited**

U.S. PATENT DOCUMENTS

D22,264 S * 3/1893 Lydick D19/42
D162,522 S * 3/1951 Currence D19/42
2,911,219 A * 11/1959 Arokiasamy 473/580
3,834,705 A * 9/1974 Wong 473/580
5,082,385 A * 1/1992 Stewart et al. 401/88
5,265,886 A * 11/1993 Hum 473/579

D392,058 S * 3/1998 Vilecco D26/7
D396,511 S * 7/1998 Leong D21/711
D512,096 S * 11/2005 Fambrough et al. D19/36
2006/0236489 A1 * 10/2006 Spinella 15/234

* cited by examiner

Primary Examiner—Cathron C Brooks

Assistant Examiner—Barbara Fox

(74) *Attorney, Agent, or Firm*—Berenato & White, LLC

(57) **CLAIM**

I claim, the ornamental design for a lollipop, as shown and described.

DESCRIPTION

FIG. 1 is a perspective view of a lollipop according to my design;

FIG. 2 is a front elevational view thereof;

FIG. 3 is a rear elevational view thereof;

FIG. 4 is a right side elevational view thereof;

FIG. 5 is a left side elevational view thereof;

FIG. 6 is a top plan view thereof; and,

FIG. 7 is a bottom plan view thereof.

The broken lines shown in the drawings are for the purpose of illustrating environmental structure and form no part of the claimed design.

1 Claim, 3 Drawing Sheets

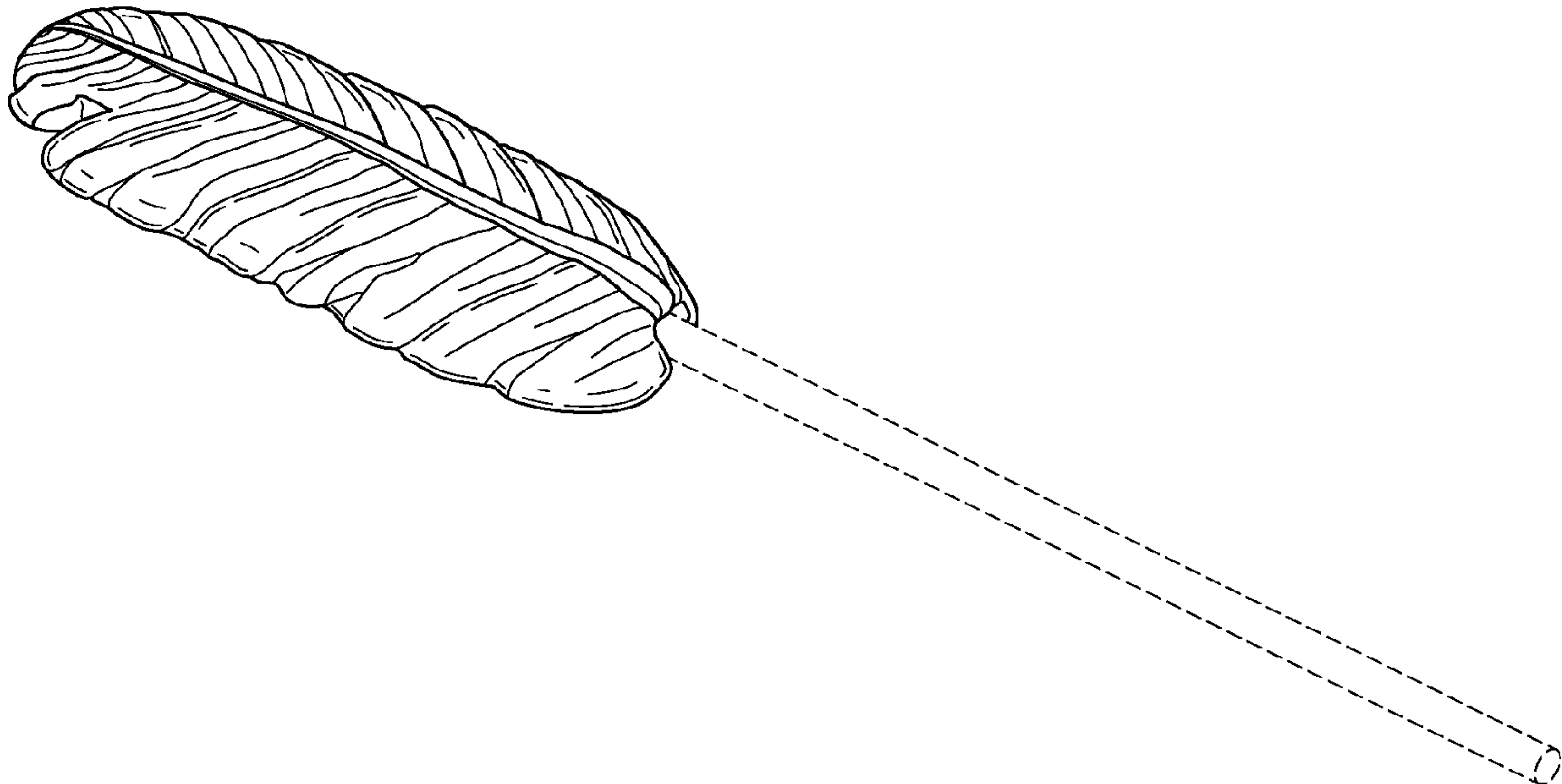


Fig. 1

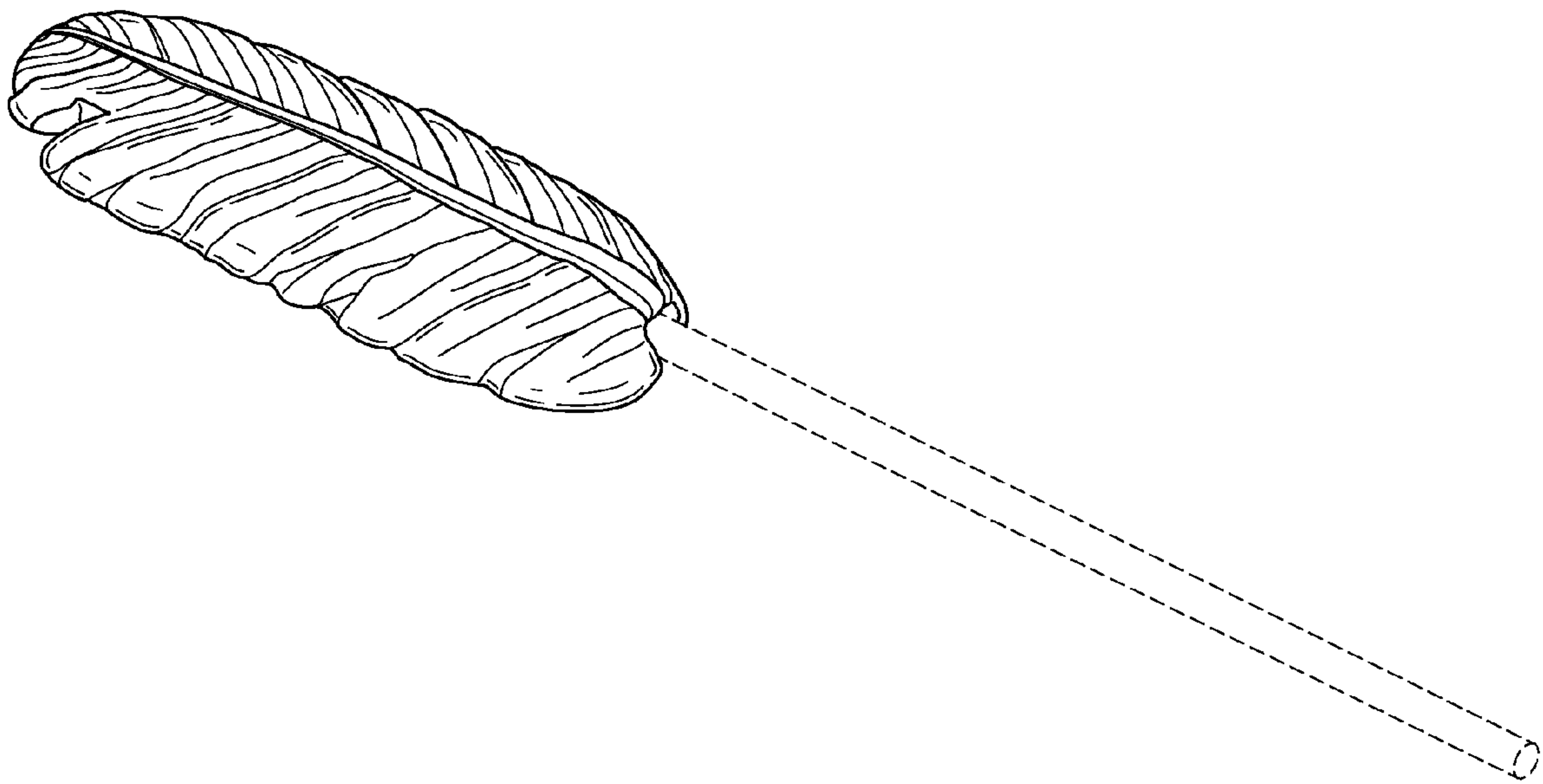


Fig. 2

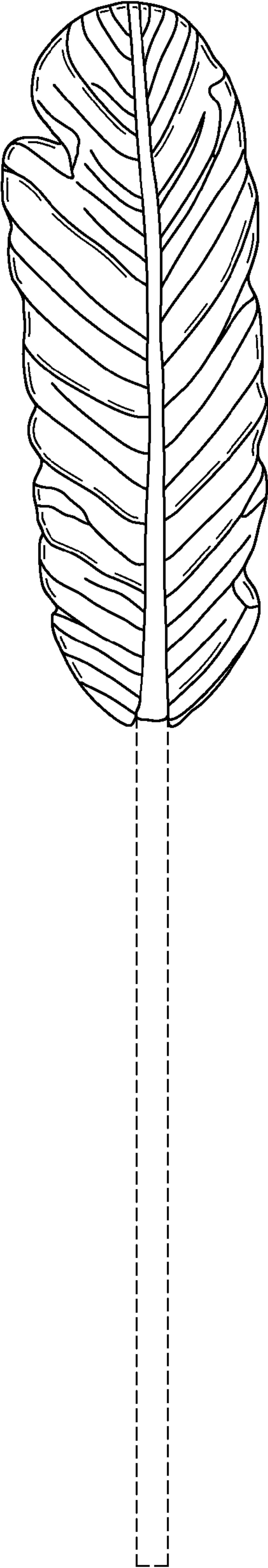


Fig. 3

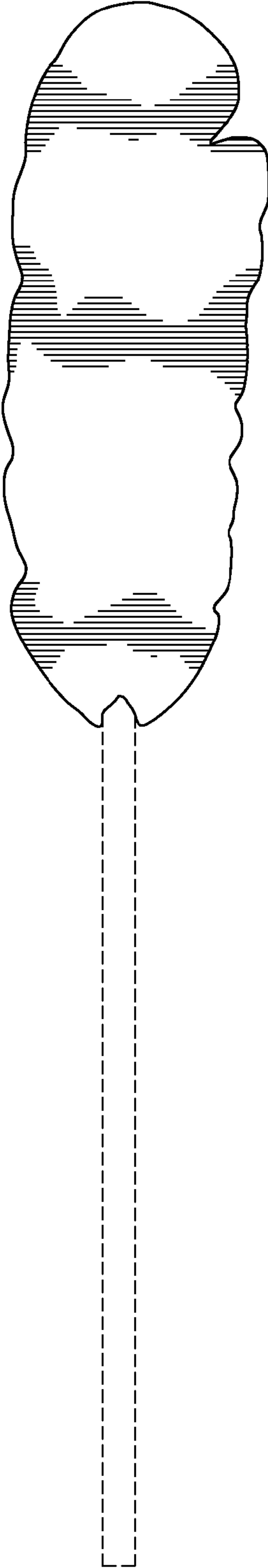


Fig. 4

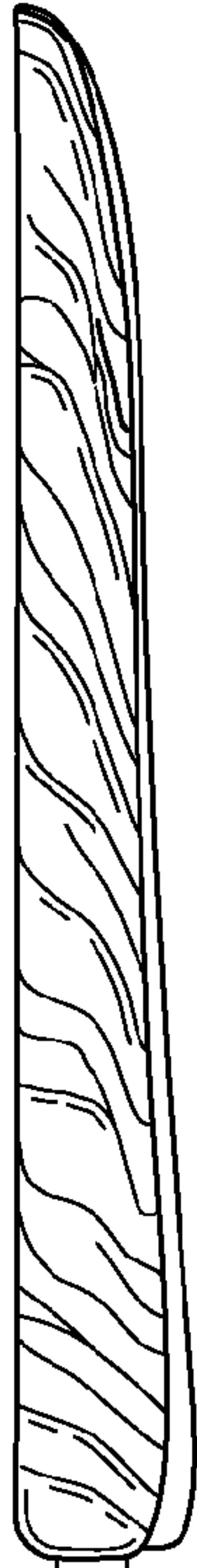


Fig. 5



Fig. 6

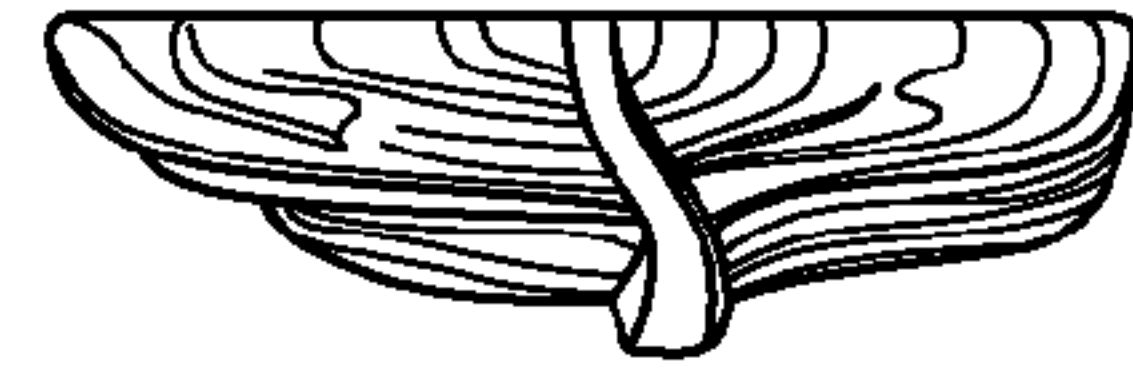


Fig. 7

