



US00D617075S

(12) **United States Design Patent**
Hubbard

(10) **Patent No.:** **US D617,075 S**
(45) **Date of Patent:** **** Jun. 1, 2010**

(54) **FUNERAL CASKET**

D311,068 S * 10/1990 Carson D27/106
D583,125 S * 12/2008 Hubbard D99/1

(76) Inventor: **Andrew Graeme Hubbard**, P.O. Box
14494, Kilbirnie, Wellington (NZ) 6241

* cited by examiner

(**) Term: **14 Years**

Primary Examiner—T. Chase Nelson
Assistant Examiner—Ania K Dworzecka

(21) Appl. No.: **29/343,224**

(57) **CLAIM**

(22) Filed: **Sep. 9, 2009**

The ornamental design for a funeral casket, as shown and described.

(30) **Foreign Application Priority Data**

Jul. 22, 2009 (NZ) 412527

DESCRIPTION

(51) **LOC (9) Cl.** **99-00**

FIG. 1 is a top plan view of a funeral casket, showing my new design;

(52) **U.S. Cl.** **D99/7**

FIG. 2 is a left side elevation view thereof, the right side being a mirror image;

(58) **Field of Classification Search** D99/1-24;
27/1-8, 14, 27, 30; D11/143-163

FIG. 3 is a front elevation view thereof, the rear view being a mirror image; and,

See application file for complete search history.

FIG. 4 is a perspective view thereof.

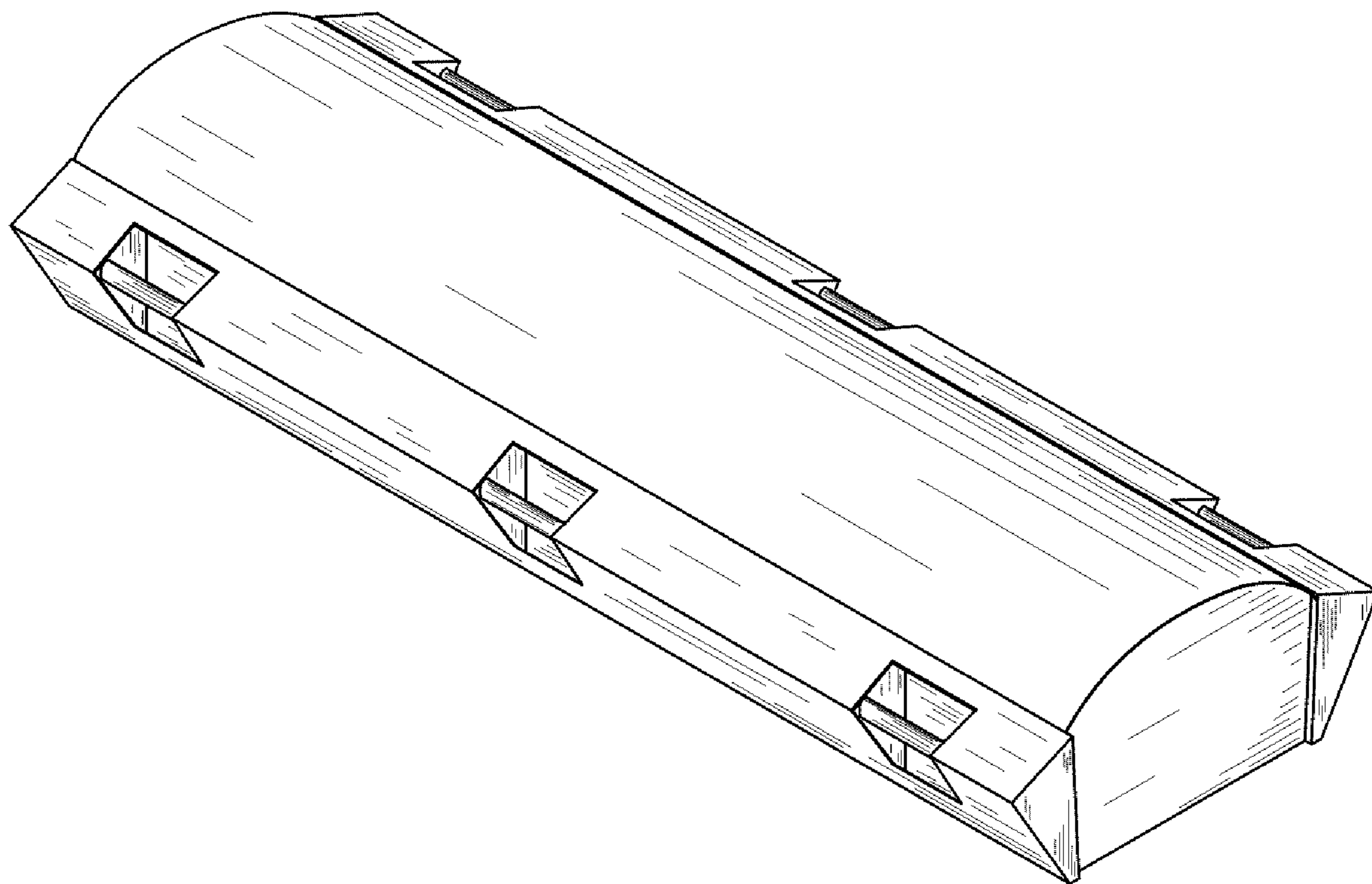
(56) **References Cited**

The bottom of the coffin is flat and unornamented.

U.S. PATENT DOCUMENTS

D229,176 S * 11/1973 Andrus et al. D99/7
D231,937 S * 6/1974 Andrus et al. D99/7

1 Claim, 1 Drawing Sheet



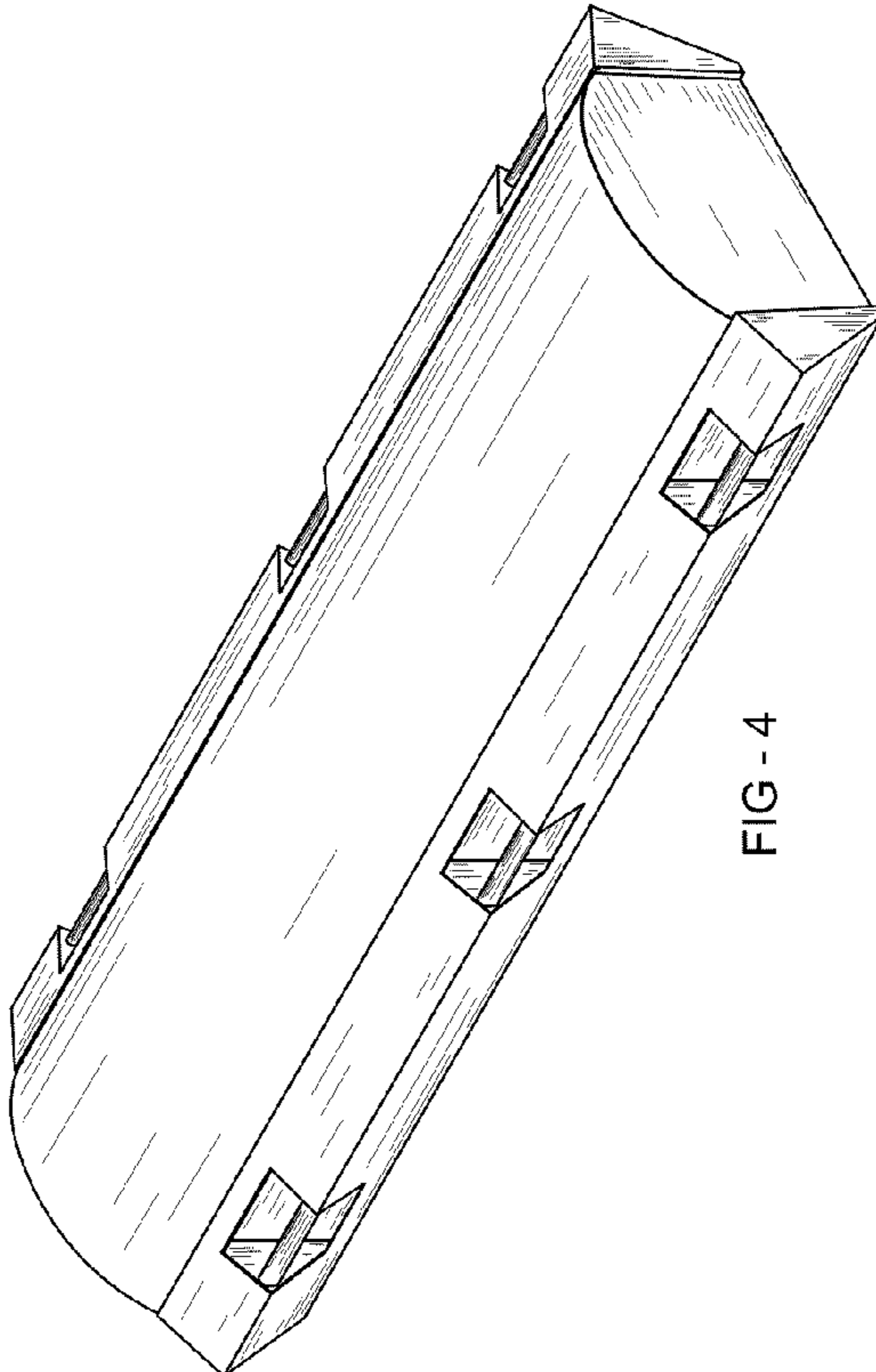


FIG - 4

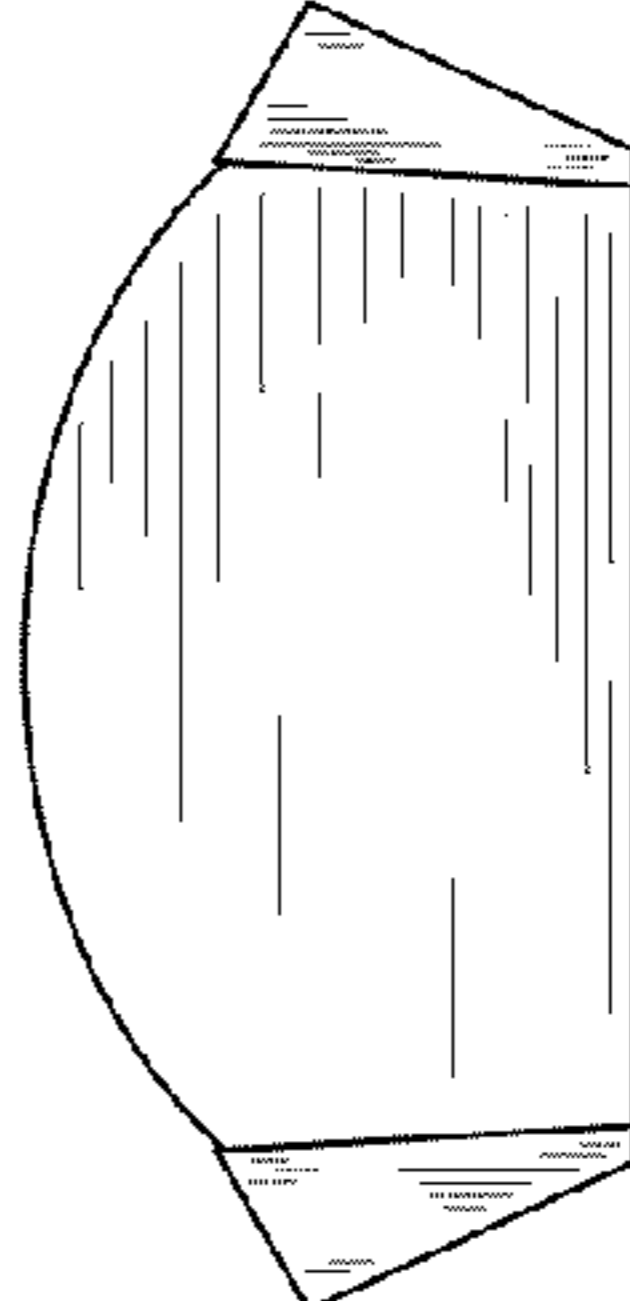


FIG - 3

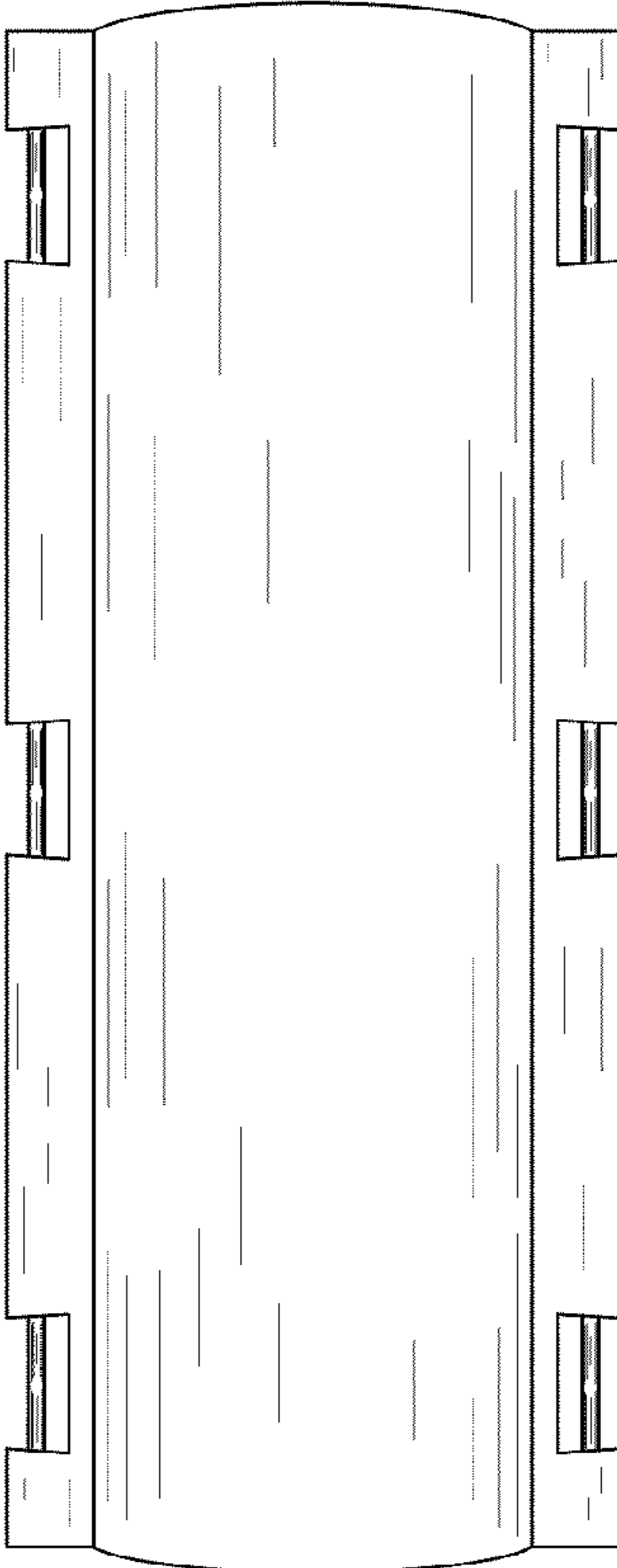


FIG - 1

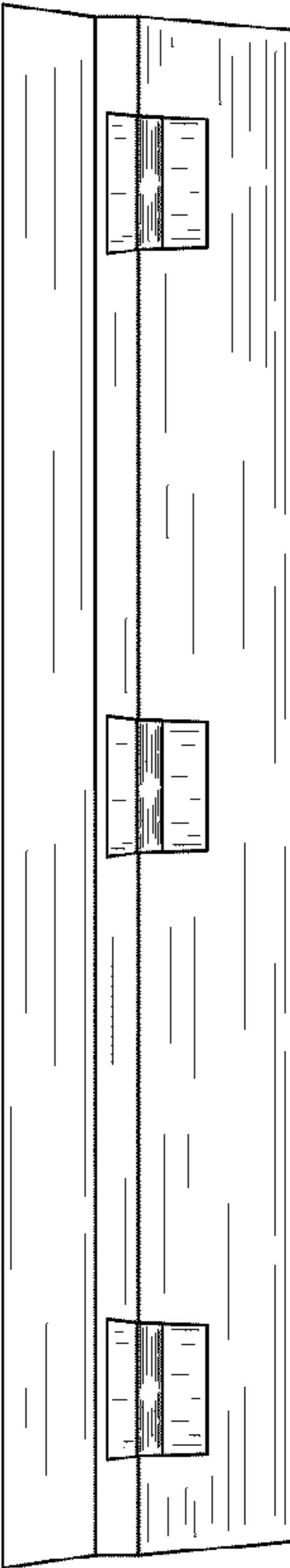


FIG - 2