



US00D617074S

(12) **United States Design Patent**
Presnell

(10) **Patent No.:** **US D617,074 S**
(45) **Date of Patent:** **** Jun. 1, 2010**

(54) **CART**

(75) **Inventor:** **Donald C. Presnell**, Stephens City, VA (US)

(73) **Assignee:** **Rubbermaid Commercial Products LLC**, Winchester, VA (US)

(**) **Term:** **14 Years**

(21) **Appl. No.:** **29/332,301**

(22) **Filed:** **Feb. 12, 2009**

Related U.S. Application Data

(62) Division of application No. 29/323,065, filed on Aug. 15, 2008, now Pat. No. Des. 600,423, which is a division of application No. 29/282,926, filed on Aug. 1, 2007, now Pat. No. Des. 575,473.

(51) **LOC (9) Cl.** **12-02**

(52) **U.S. Cl.** **D34/21**

(58) **Field of Classification Search** D34/12-27;
280/47.34, 47.35, 79.2, 79.3, 47.26, 79.5;
D6/477, 479; 220/676

See application file for complete search history.

(56) **References Cited**

U.S. PATENT DOCUMENTS

D273,242 S * 3/1984 Maza et al. D34/21

4,743,040 A * 5/1988 Breveglieri et al. 280/47.35
D302,064 S * 7/1989 Delmerico D34/20
D426,691 S * 6/2000 Johnson et al. D34/21
D485,037 S * 1/2004 Presnell et al. D34/21
D555,870 S * 11/2007 Zorzo D34/14
D556,417 S * 11/2007 Zorzo D34/21
2003/0122331 A1 * 7/2003 DiGiacomo et al. 280/47.35

* cited by examiner

Primary Examiner—Cynthia E Ramirez

(74) *Attorney, Agent, or Firm*—Foley & Lardner LLP

(57) **CLAIM**

The ornamental design for a cart, as shown and described.

DESCRIPTION

FIG. 1 is a top frontal perspective view of a cart according to my new design;

FIG. 2 is a front view of the cart shown in FIG. 1;

FIG. 3 is a left side view of the cart shown in FIG. 1;

FIG. 4 is a right side view of the cart shown in FIG. 1;

FIG. 5 is a top view of the cart shown in FIG. 1; and,

FIG. 6 is a bottom view of the cart shown in FIG. 1.

The ornamental design which is claimed is shown in solid lines in the drawings. The broken lines in the drawings are for illustrative purposes only and form no part of the claimed design.

1 Claim, 6 Drawing Sheets

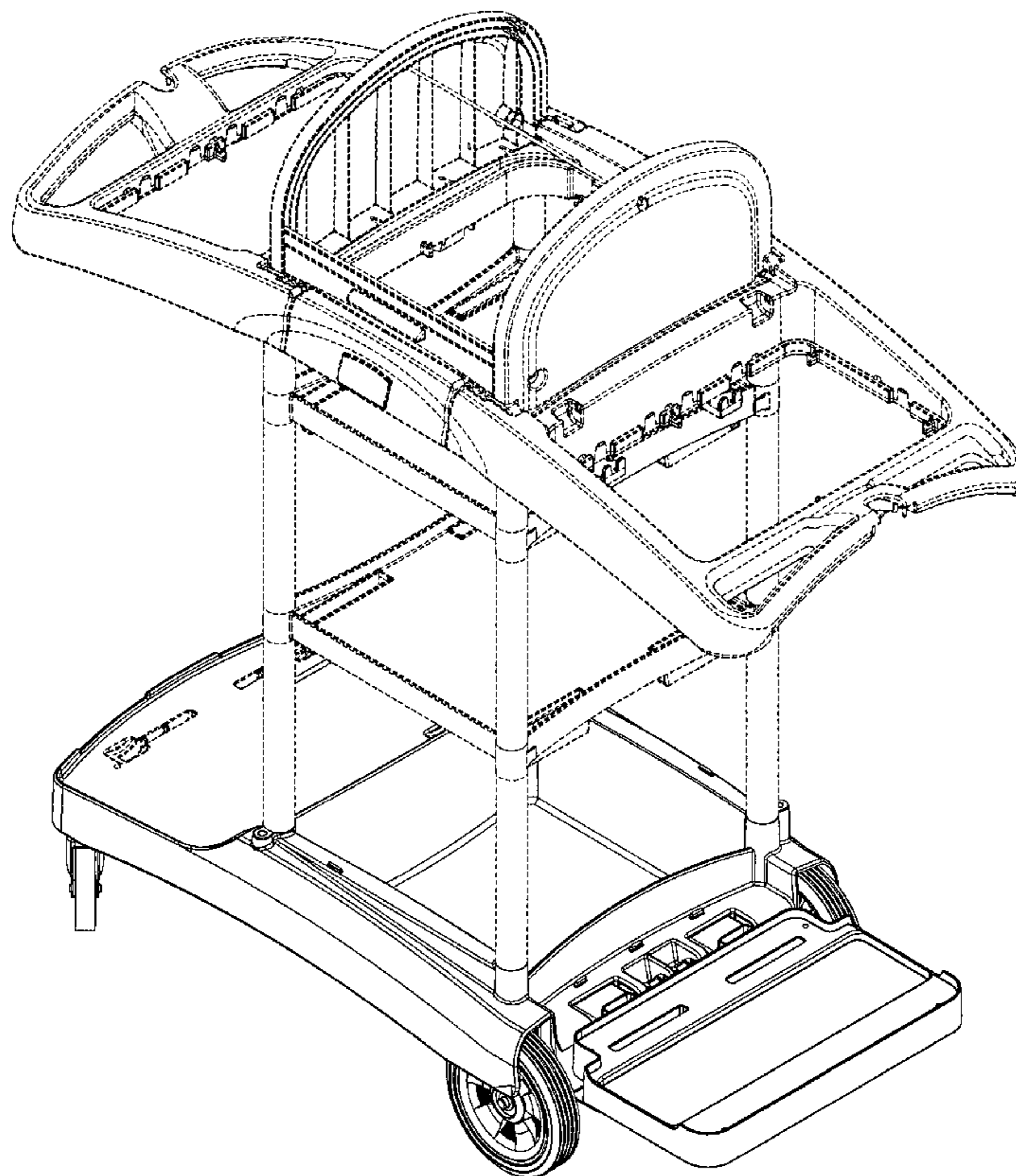


Fig. 1

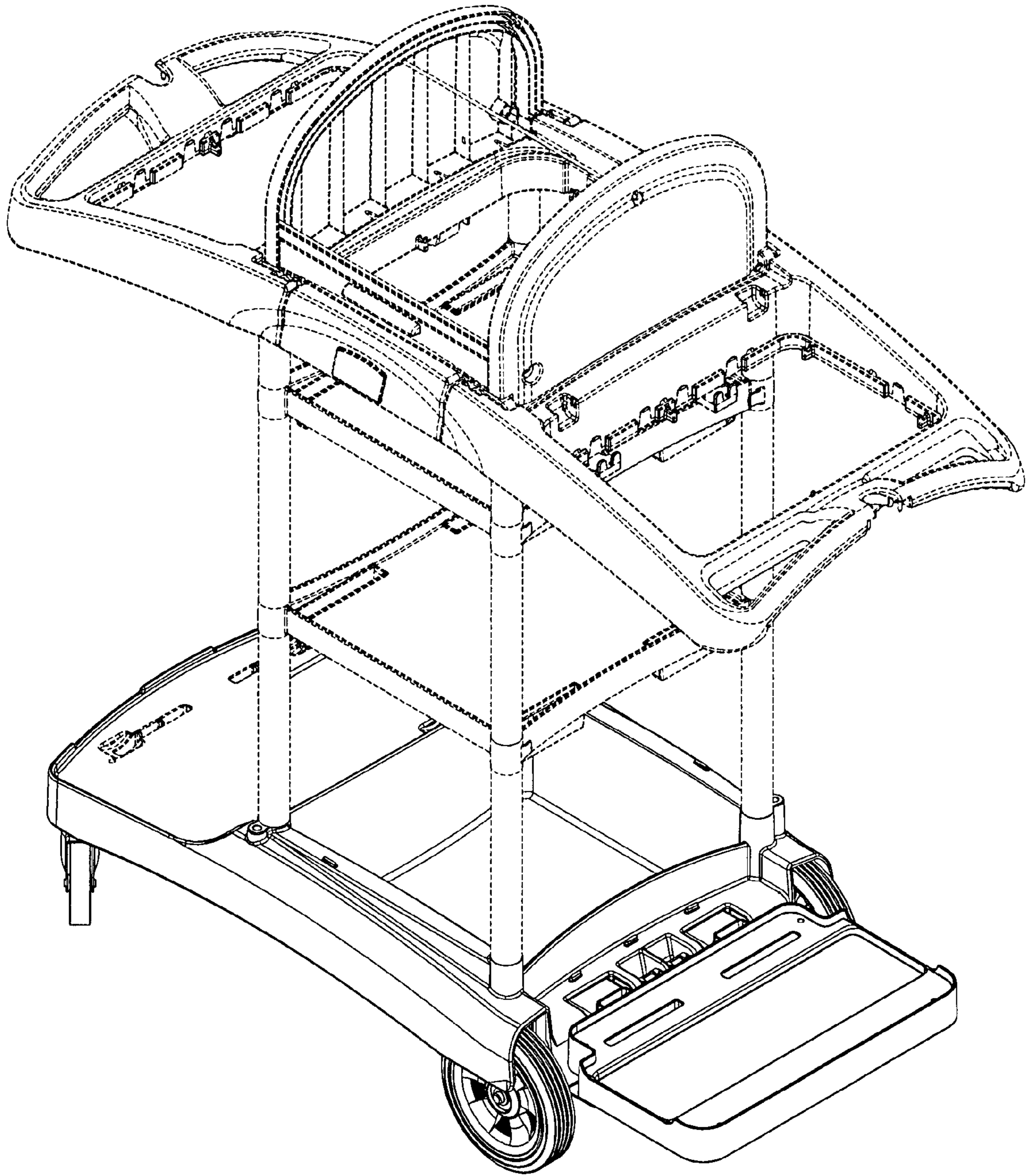


Fig. 2

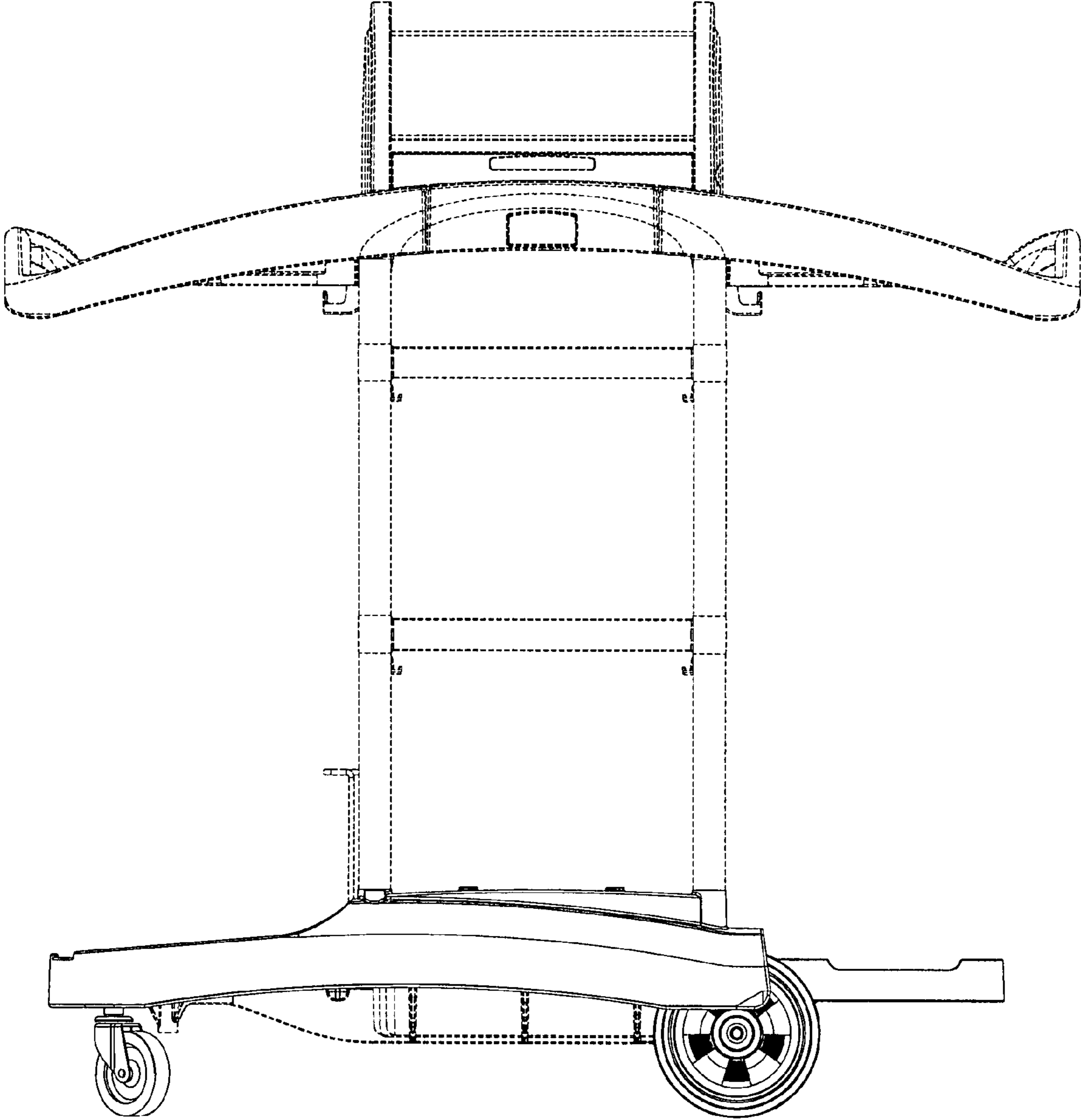


Fig. 3

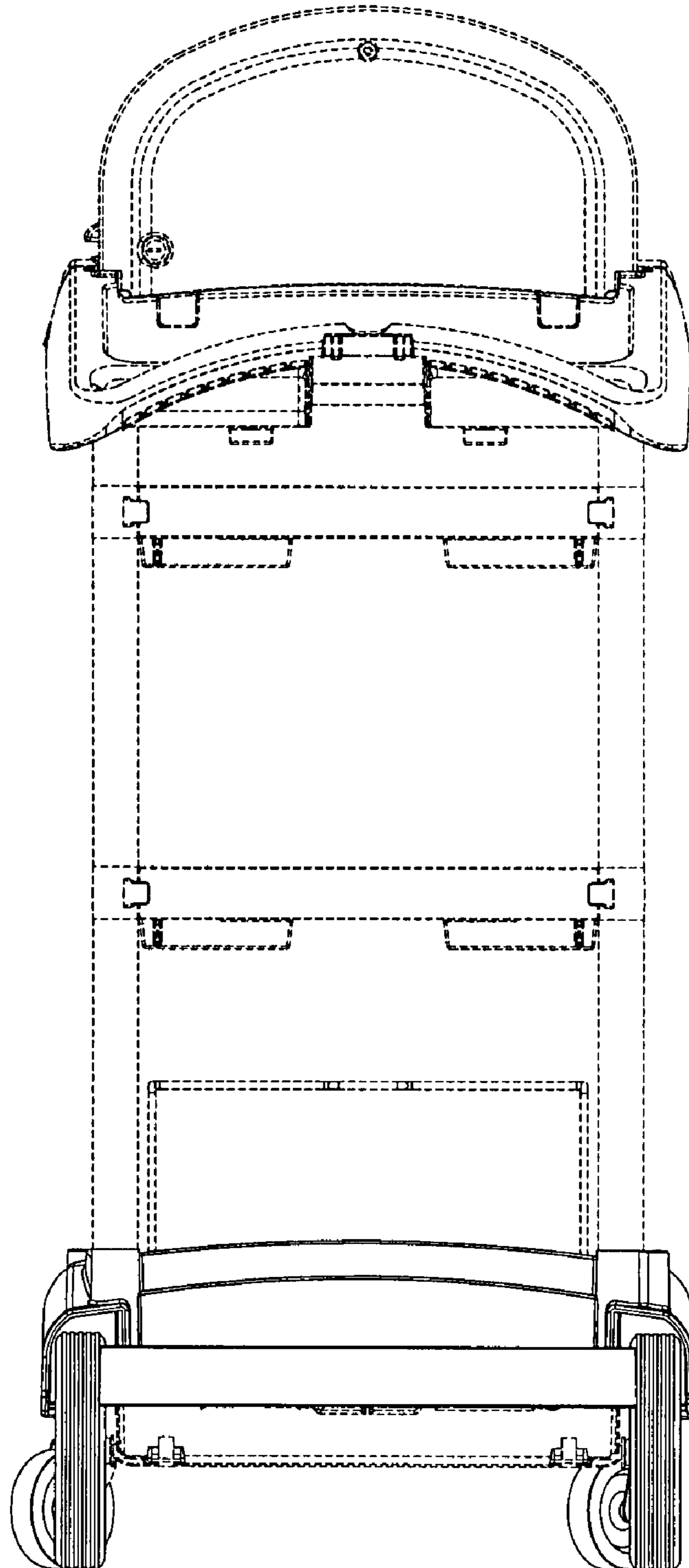


Fig. 4

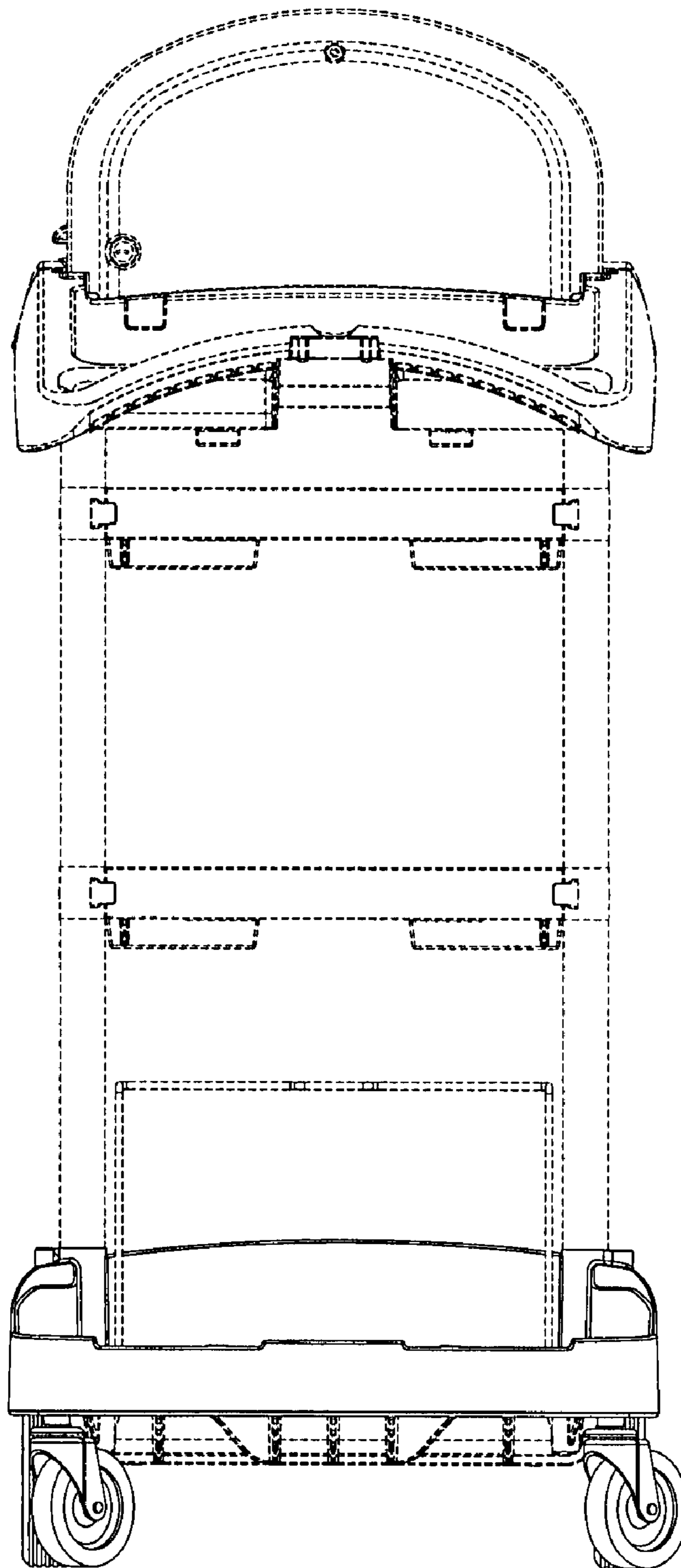


Fig. 5

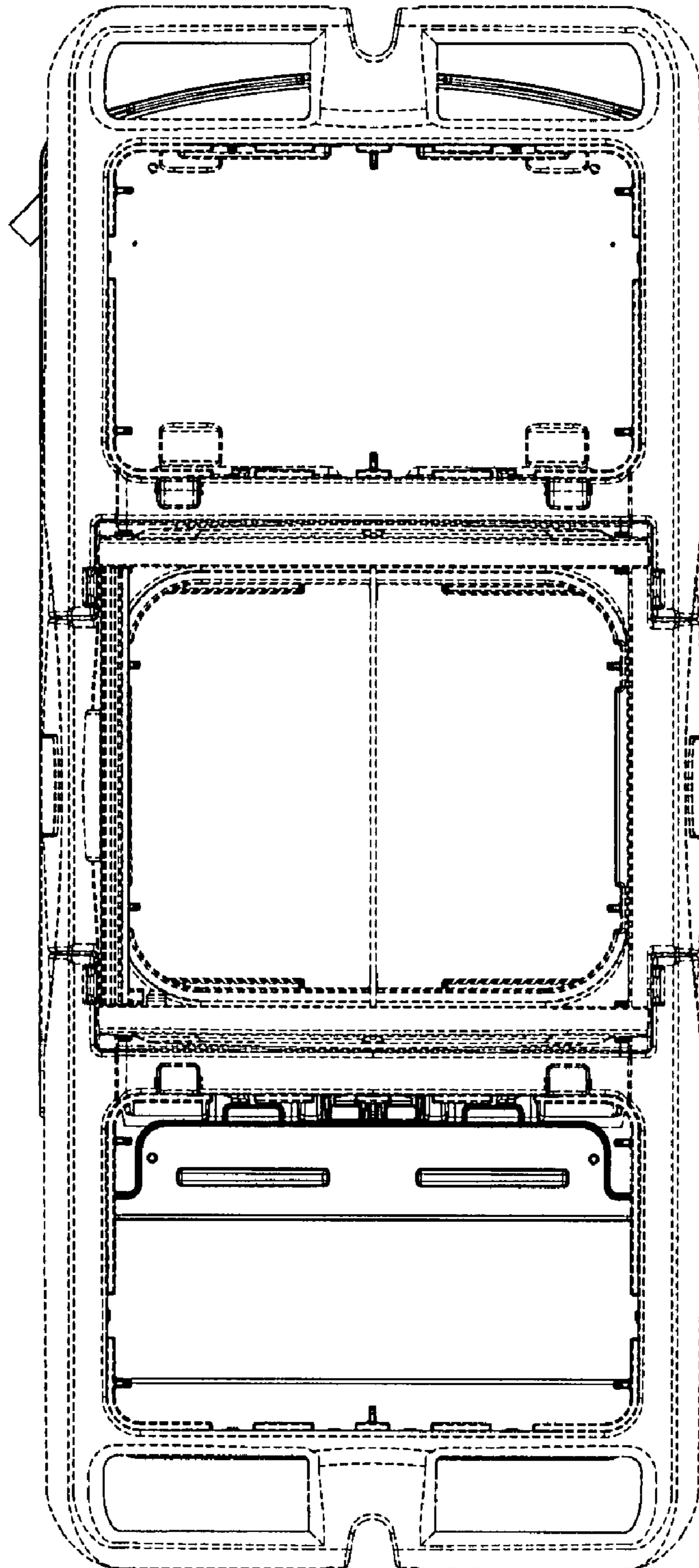


Fig. 6

